



US00D906042S

(12) **United States Design Patent**  
**Chen**

(10) **Patent No.:** **US D906,042 S**

(45) **Date of Patent:** **\*\* Dec. 29, 2020**

(54) **FLASK LID**

(71) Applicant: **GRILL CHIEF INC**, Rowland Heights, CA (US)

(72) Inventor: **Xi Long Chen**, Rowland Heights, CA (US)

(73) Assignee: **GRILL CHIEF INC**, Rowland Heights, CA (US)

(\*\*) Term: **15 Years**

(21) Appl. No.: **29/710,883**

(22) Filed: **Oct. 28, 2019**

(51) **LOC (12) Cl.** ..... **07-99**

(52) **U.S. Cl.**  
USPC ..... **D7/392.1; D7/396.2; D9/443; D9/450**

(58) **Field of Classification Search**  
USPC ..... D9/434, 435, 439, 440, 442-450, D9/452-457, 499, 503-505, 682, 685, D9/686; D7/387, 391, 392, 392.1, 396.1, D7/396.2, 507, 509-511, 538, 900; D3/202, 203.2, 294, 318; D28/91, 91.1; D24/108, 111, 112; D23/213, 223  
CPC .. A61J 1/00; A61J 1/1412; B65D 1/00; B65D 1/02; B65D 1/10; B65D 1/46; B65D 5/46; B65D 41/00; B65D 41/38; B65D 41/56; B65D 41/62; B65D 47/00; B65D 47/06; B65D 47/08; B65D 2251/00; B65D 2543/00046; B65D 2543/00092; B65D 2543/00296  
See application file for complete search history.

(56) **References Cited**

**U.S. PATENT DOCUMENTS**

D165,653 S \* 1/1952 Johnson ..... D9/443  
D700,014 S \* 2/2014 Zeanah ..... D7/510

D720,218 S \* 12/2014 Hutson ..... D9/449  
D812,966 S \* 3/2018 Murosky ..... D9/450  
D814,855 S \* 4/2018 Hammer ..... D7/392.1  
D862,985 S \* 10/2019 Backs ..... D7/511  
D868,534 S \* 12/2019 Lin ..... D7/392.1  
D870,508 S \* 12/2019 Palkon ..... D9/443  
D872,522 S \* 1/2020 Diener ..... D9/447  
D886,517 S \* 6/2020 Bo ..... D7/396.2  
D887,776 S \* 6/2020 Bo ..... D7/392.1  
D893,245 S \* 8/2020 Zhang ..... D7/392.1  
D896,573 S \* 9/2020 Wu ..... D7/392.1  
D896,574 S \* 9/2020 Wang ..... D9/450  
D897,146 S \* 9/2020 Lane ..... D7/392.1  
D897,760 S \* 10/2020 Feng ..... D7/392.1  
D897,762 S \* 10/2020 Zhang ..... D7/396.2  
D899,181 S \* 10/2020 Xie ..... D7/392.1  
D900,537 S \* 11/2020 Yao ..... D7/392.1  
D900,538 S \* 11/2020 Yao ..... D7/392.1  
D900,539 S \* 11/2020 Yao ..... D9/443

(Continued)

*Primary Examiner* — Wendy L Arminio

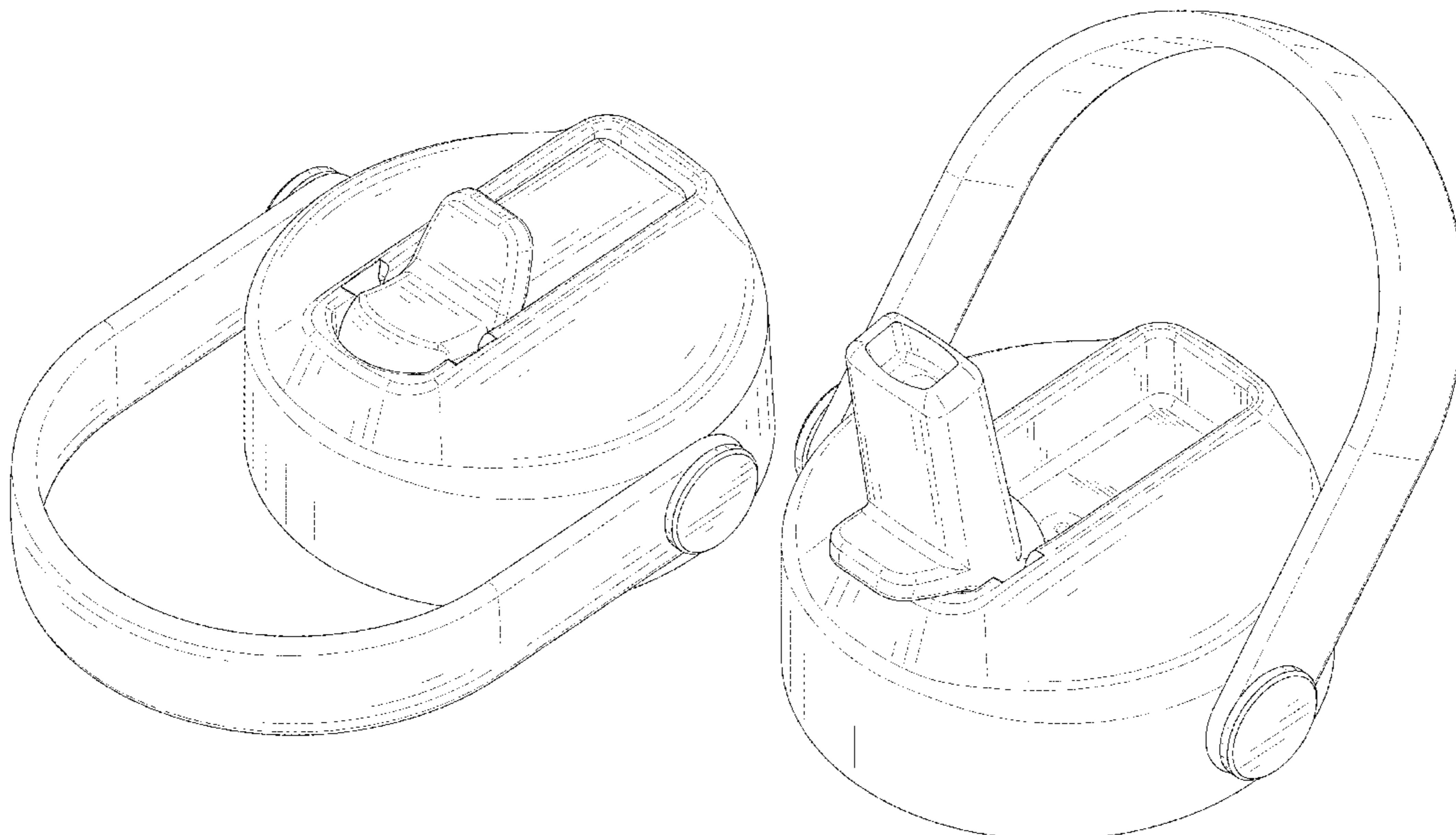
(57) **CLAIM**

The ornamental design for a flask lid, as shown and described.

**DESCRIPTION**

FIG. 1 is a front perspective view of a flask lid showing my new design;  
FIG. 2 is a rear perspective view thereof;  
FIG. 3 is a front elevational view thereof;  
FIG. 4 is a rear elevational view thereof;  
FIG. 5 is a left side elevational view thereof;  
FIG. 6 is a right side elevational view thereof;  
FIG. 7 is a top plan view thereof;  
FIG. 8 is a bottom plan view thereof; and,  
FIG. 9 is another front perspective view of the flask lid of FIG. 1 where the flask lid is shown in a configuration of use. The broken lines in the drawings depict portions of the flask lid that form no part of the claimed design.

**1 Claim, 9 Drawing Sheets**



(56)

**References Cited**

U.S. PATENT DOCUMENTS

2014/0138395 A1\* 5/2014 Joy ..... A47G 19/2272  
220/715

\* cited by examiner

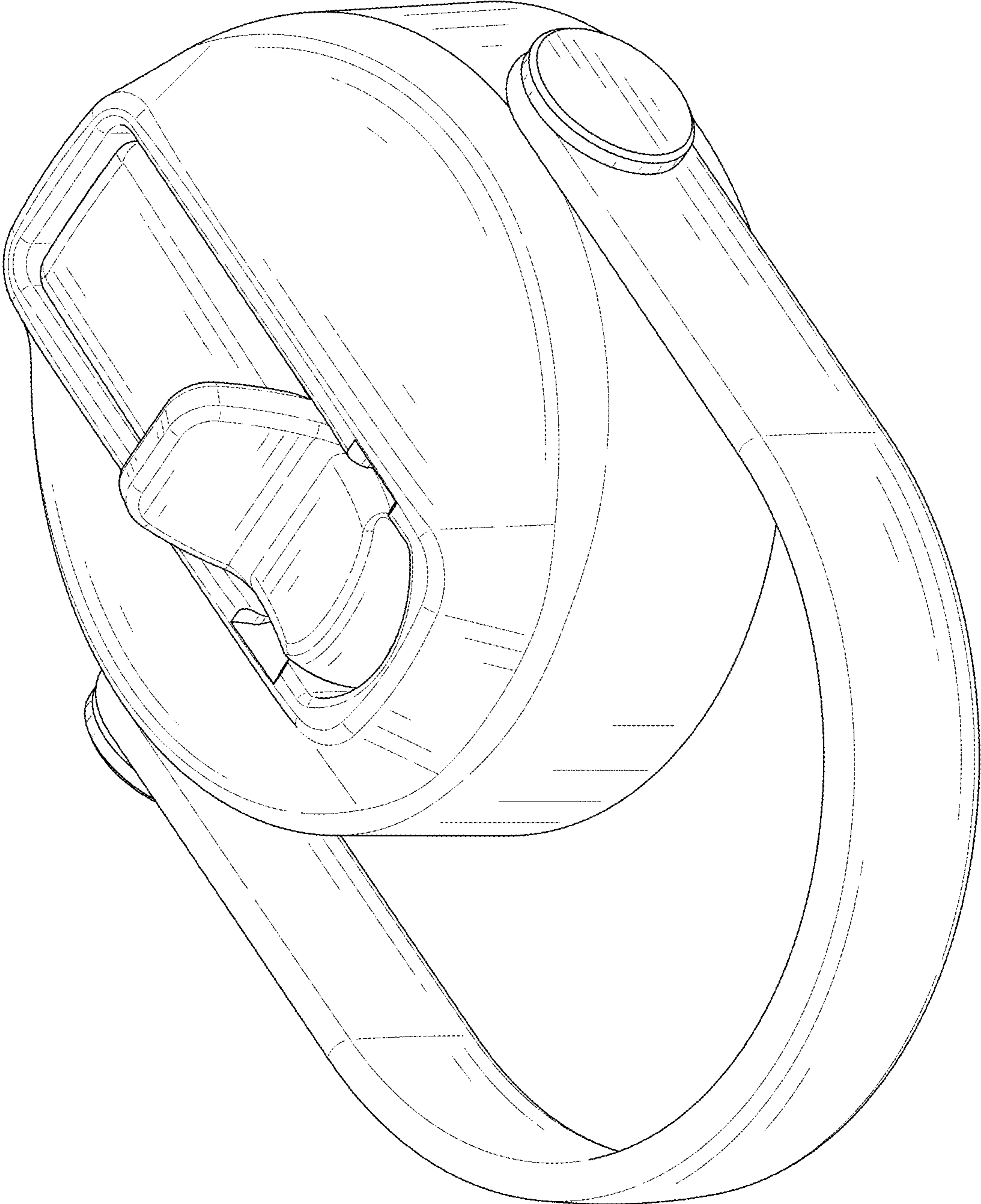


FIG. 1

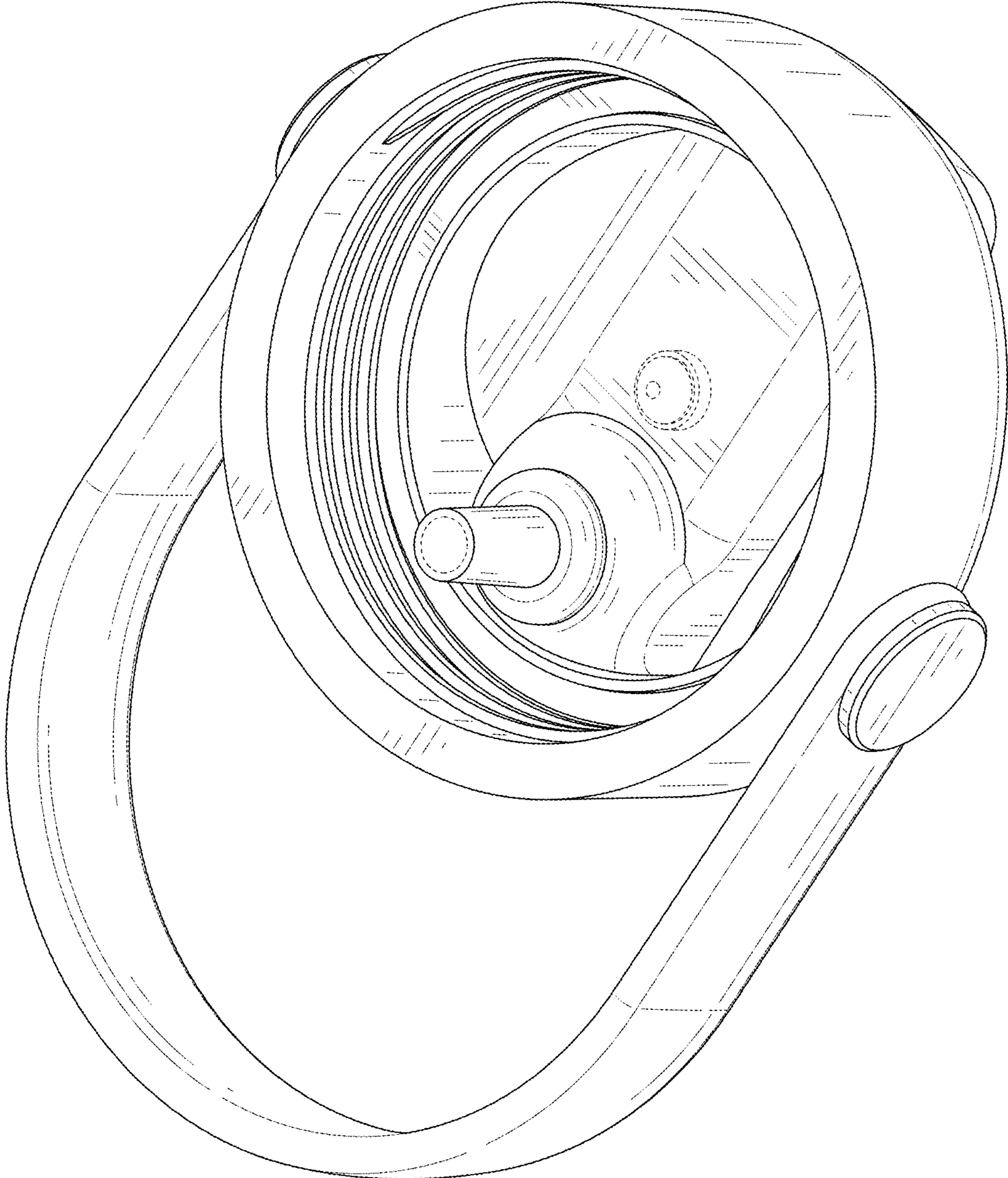


FIG. 2

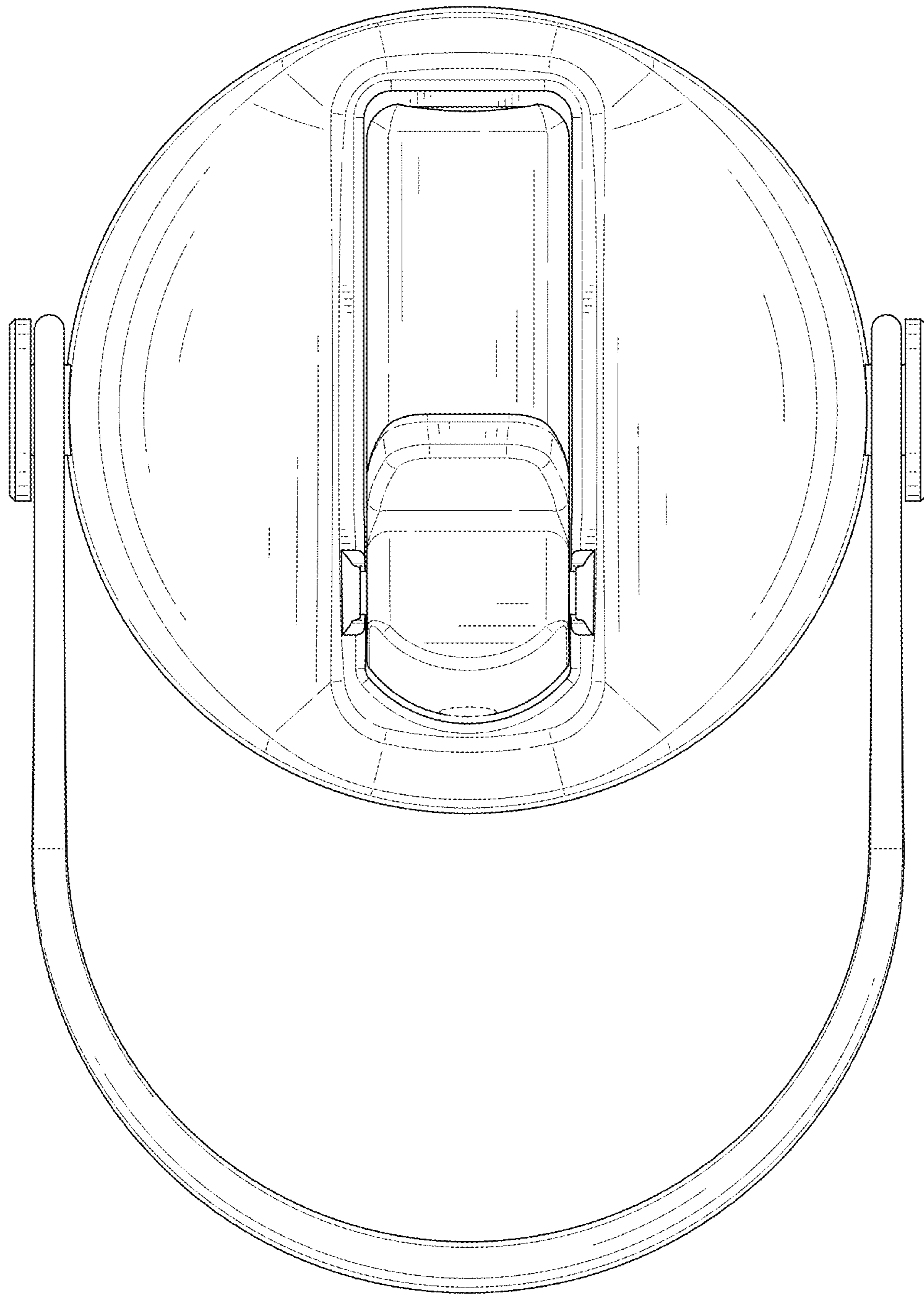


FIG. 3

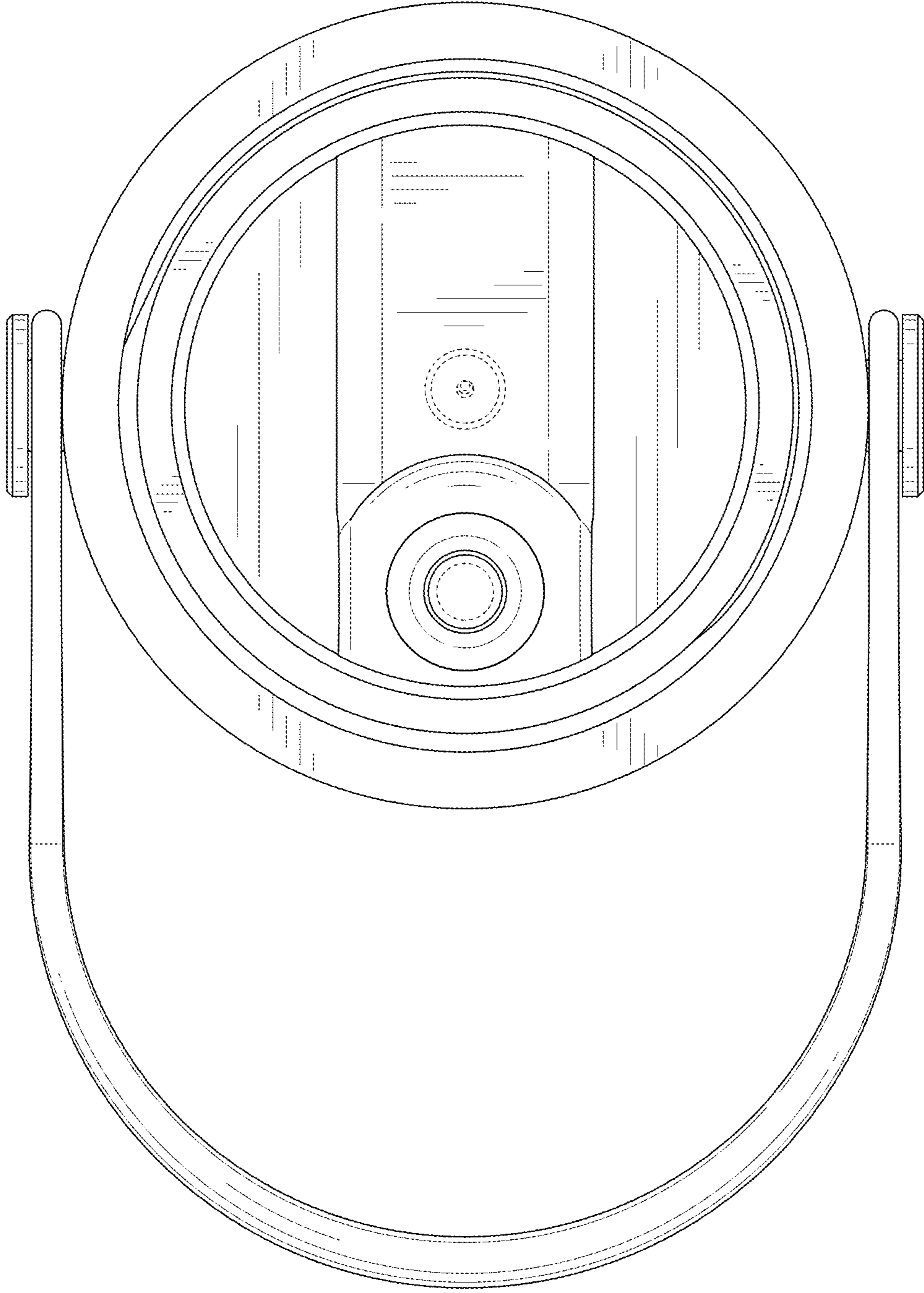


FIG. 4

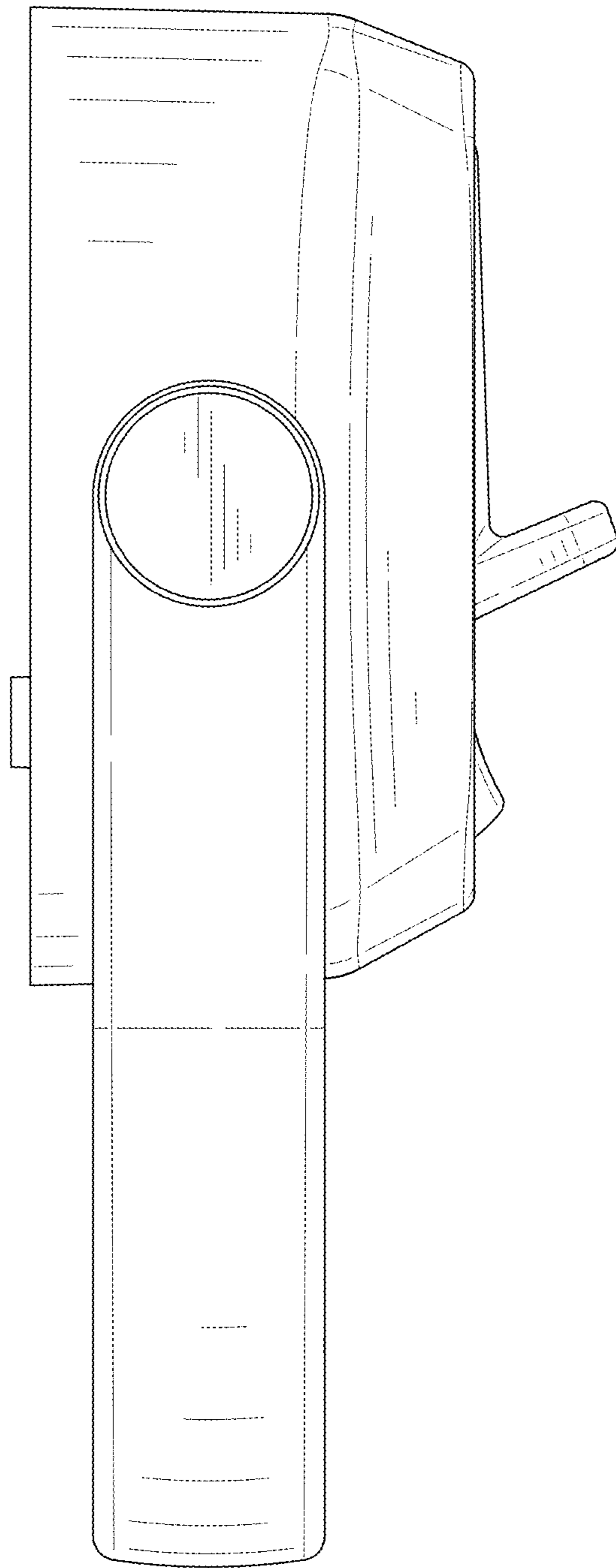


FIG. 5

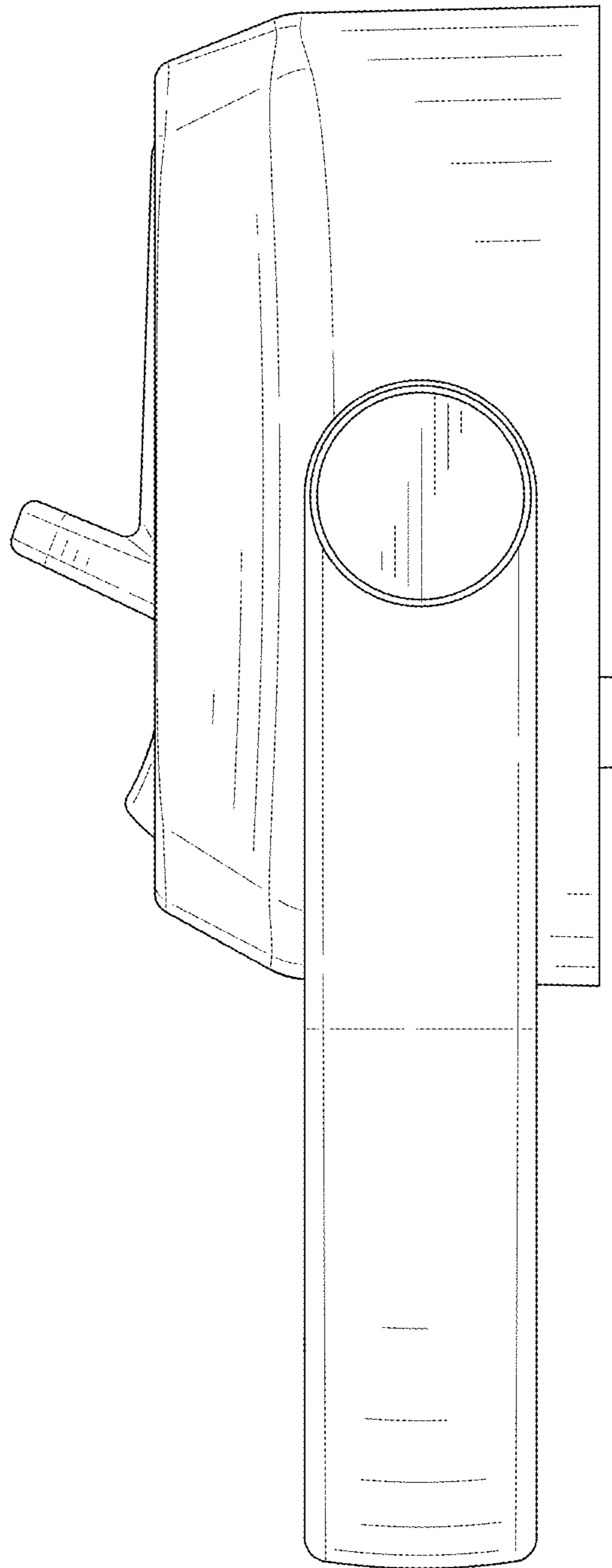


FIG. 6



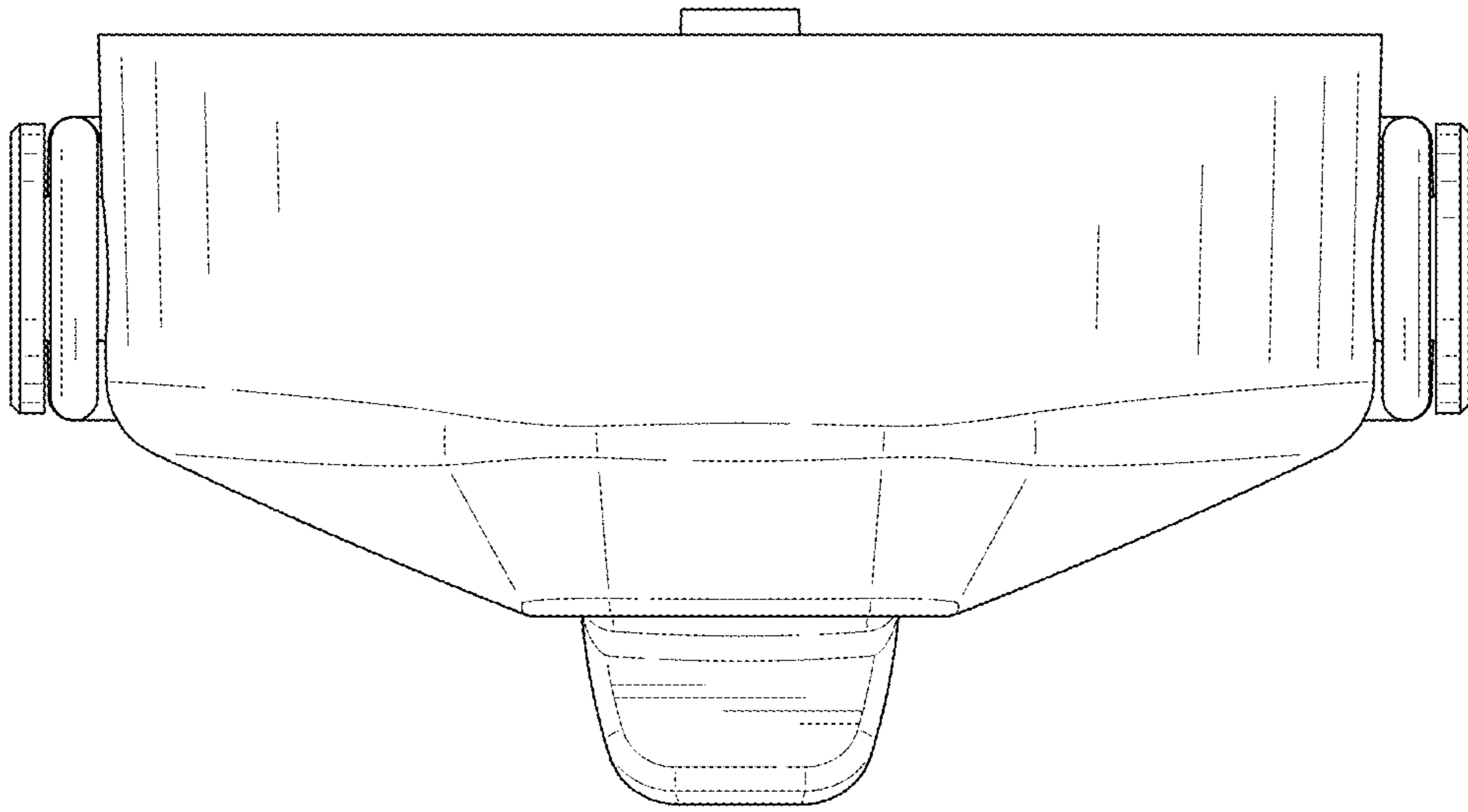


FIG. 7

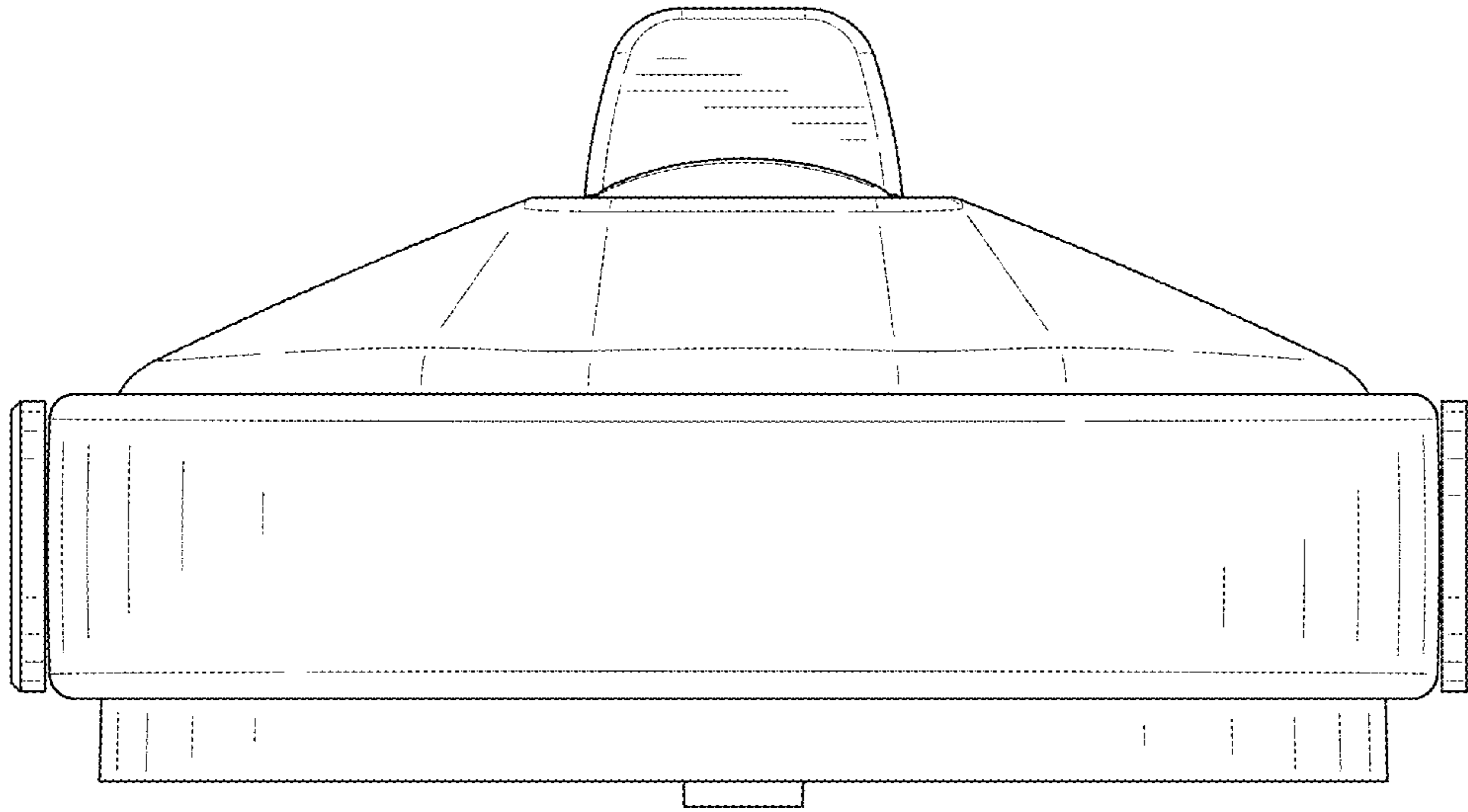


FIG. 8

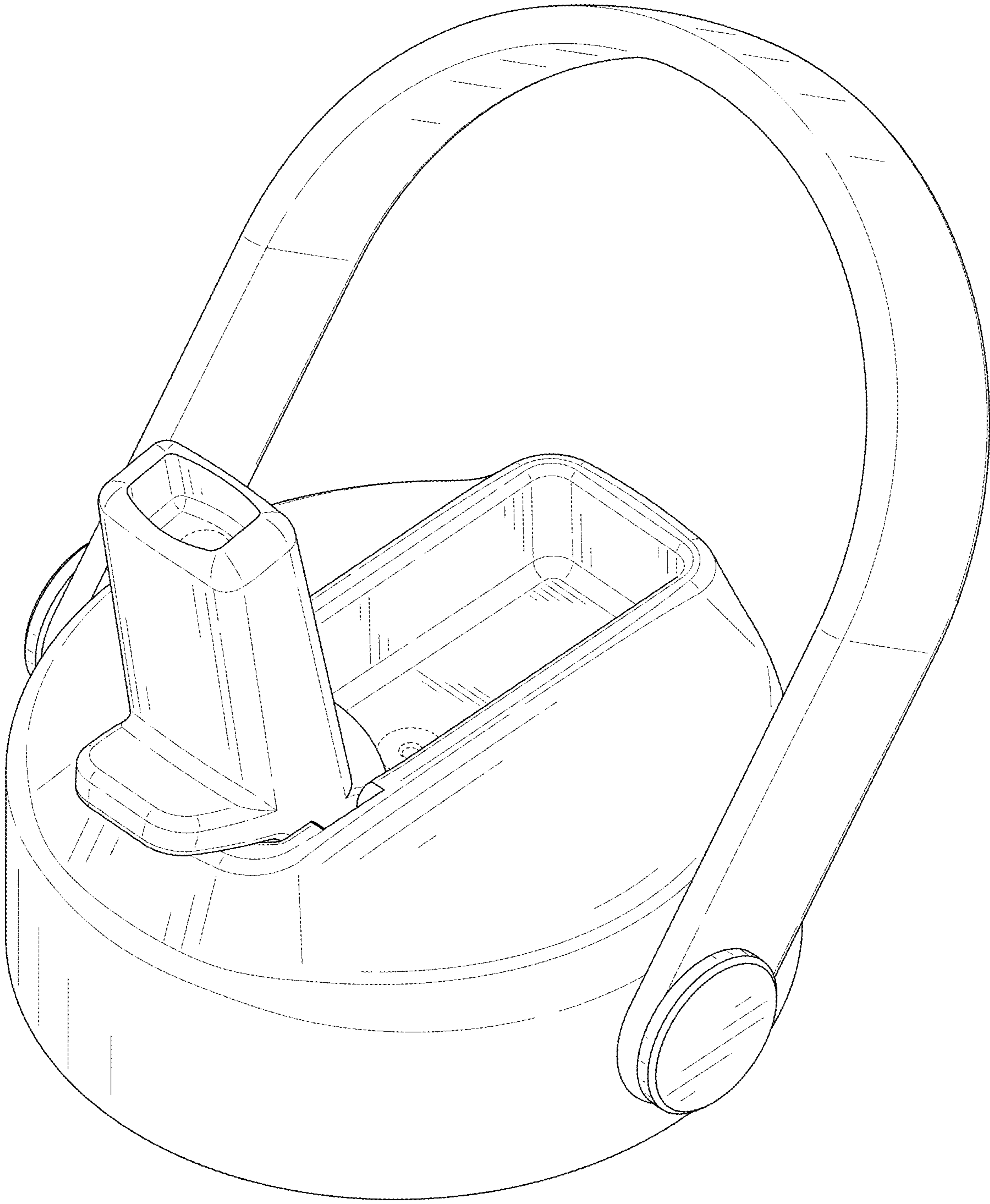


FIG. 9