



US00D906040S

(12) **United States Design Patent** (10) **Patent No.:** **US D906,040 S**  
**Dai** (45) **Date of Patent:** **\*\* Dec. 29, 2020**

(54) **VENT COVER**  
(71) Applicant: **ShenZhen YiHong E-Commerce Co., LTD**, ShenZhen (CN)  
(72) Inventor: **Yi Dai**, ShenZhen (CN)  
(73) Assignee: **ShenZhen YiHong E-Commerce CO., LTD**, ShenZhen (CN)  
(\*\*) Term: **15 Years**  
(21) Appl. No.: **29/741,456**  
(22) Filed: **Jul. 13, 2020**  
(51) **LOC (12) Cl.** ..... **07-02**  
(52) **U.S. Cl.**  
USPC ..... **D7/391; D7/354**  
(58) **Field of Classification Search**  
USPC ..... D7/323, 354-361, 391, 393  
CPC ..... A47J 27/00; A47J 27/004; A47J 27/04;  
A47J 27/08; A47J 27/0802; A47J 27/0804; A47J 27/0806; A47J 27/0811;  
A47J 27/0813; A47J 27/0815; A47J 27/0817; A47J 27/084; A47J 27/09; A47J 27/092; A47J 36/025; A47J 36/06; A47J 36/08; A47J 37/12; A47J 37/1204; A47J 37/1209; A47J 43/06; A47J 45/07; A47J 45/071; A47J 45/074; A47J 45/08; B01D 2201/345; B01J 3/03; B01J 3/04; F01P 2011/0247; F01P 2011/0252; F02M 35/0203; H05B 6/00; H05B 6/02; H05B 6/06  
See application file for complete search history.

(56) **References Cited**  
U.S. PATENT DOCUMENTS  
2,491,144 A \* 12/1949 Yankovitch ..... A47J 27/092 220/301  
D253,867 S 1/1980 Boldt et al.

D256,759 S \* 9/1980 Johnson ..... D7/358  
D276,972 S 1/1985 Jacob  
D305,493 S 1/1990 Ryser  
D361,921 S 9/1995 Alim  
D365,494 S \* 12/1995 Roussard ..... D7/358  
D398,811 S 9/1998 Montgelard  
D447,908 S \* 9/2001 Beck ..... D7/391  
6,705,209 B2 3/2004 Yang et al.  
D577,539 S 9/2008 Cuillery  
D700,286 S 2/2014 Okitsu et al.  
D725,746 S 3/2015 Cheng  
9,456,713 B2 10/2016 Backaert et al.  
D799,690 S 10/2017 Kawamura et al.  
D825,986 S 8/2018 Lee et al.  
D860,712 S 9/2019 Yang et al.  
D873,602 S 1/2020 Varjabedian et al.  
D876,153 S \* 2/2020 Stevenson ..... D7/358  
2012/0174797 A1 \* 7/2012 Froza ..... A47J 27/0802 99/325  
2013/0104875 A1 \* 5/2013 Schultz ..... F02M 35/0203 126/377.1  
2014/0353316 A1 \* 12/2014 Lin ..... A47J 36/08 220/573.1

(Continued)

Primary Examiner — Ricky Pham  
(74) Attorney, Agent, or Firm — iPA & iPM

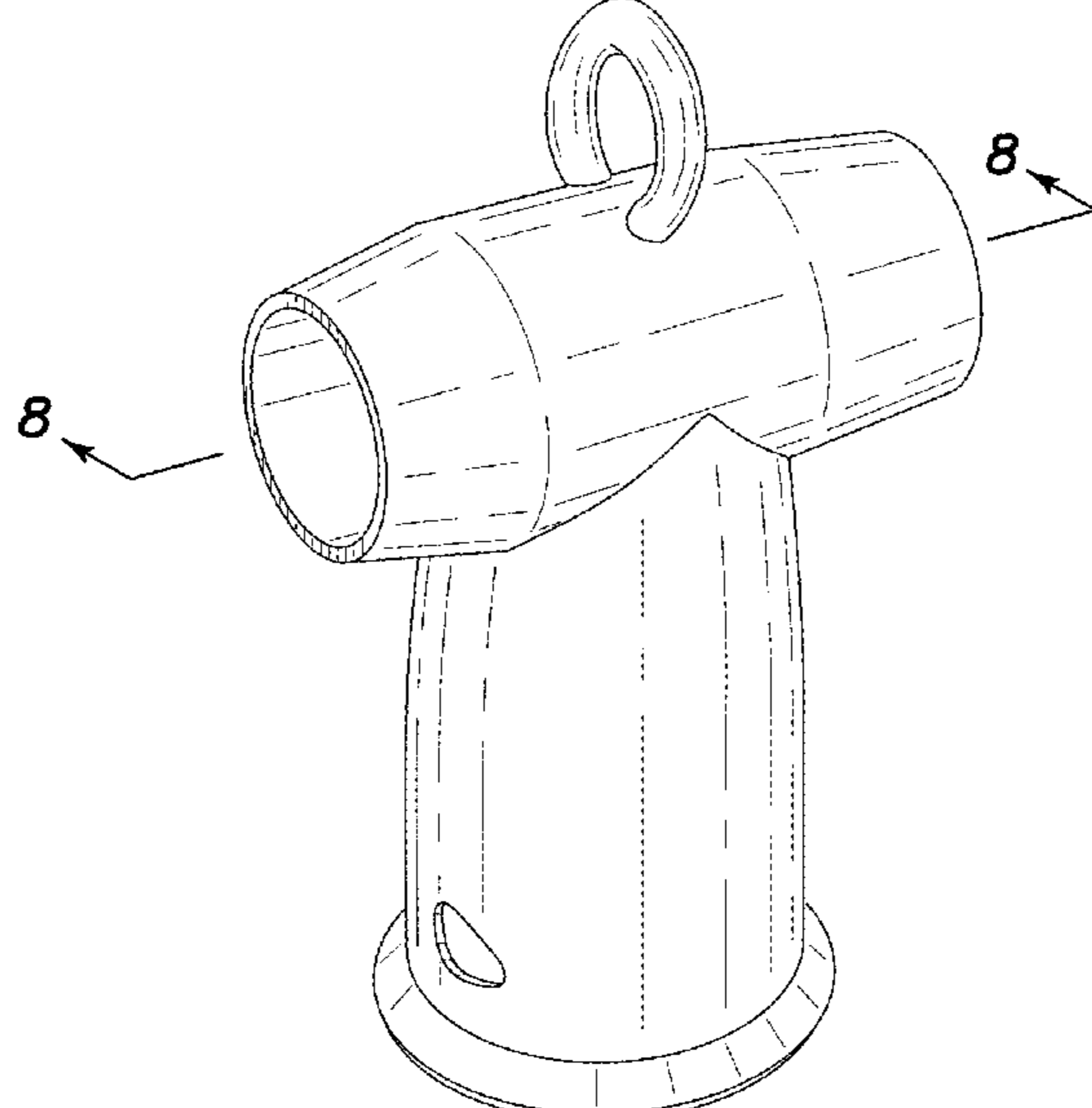
(57) **CLAIM**

The ornamental design for a vent cover, as shown and described.

**DESCRIPTION**

FIG. 1 is a first perspective view of a vent cover showing my new design;  
FIG. 2 is a left side view thereof;  
FIG. 3 is a front view thereof;  
FIG. 4 is a top view thereof;  
FIG. 5 is a right side view thereof;  
FIG. 6 is a back view thereof;  
FIG. 7 is a bottom view thereof; and,  
FIG. 8 is a vertical sectional view along axis 8 in FIG. 1.

**1 Claim, 3 Drawing Sheets**



(56)

**References Cited**

U.S. PATENT DOCUMENTS

2016/0051077 A1\* 2/2016 Soot ..... A47J 27/04  
426/233  
2016/0324359 A1\* 11/2016 Aboujassoum ..... A47J 43/06  
2017/0290452 A1\* 10/2017 Guillaume ..... A47J 27/0806

\* cited by examiner

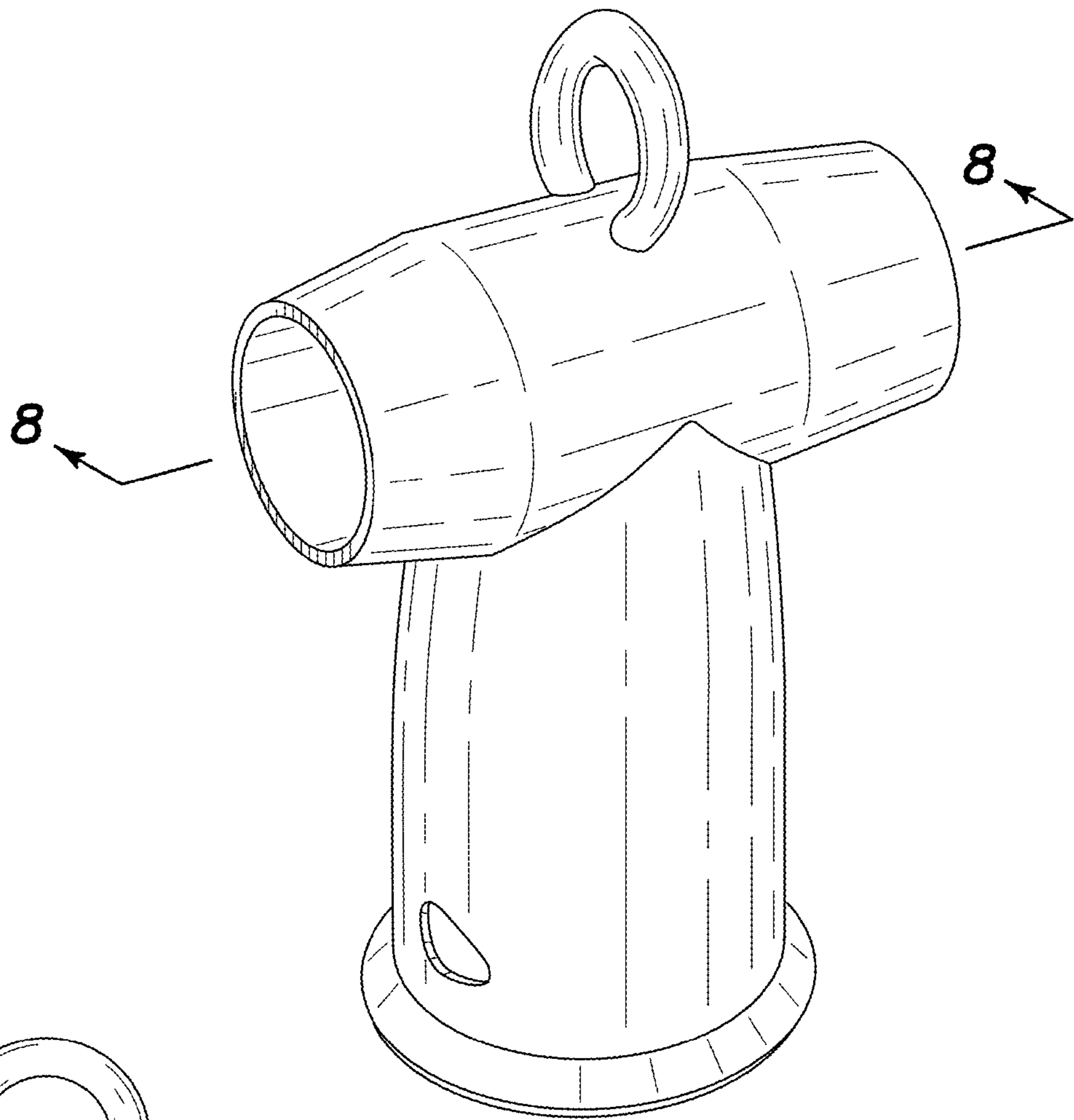


FIG. 1

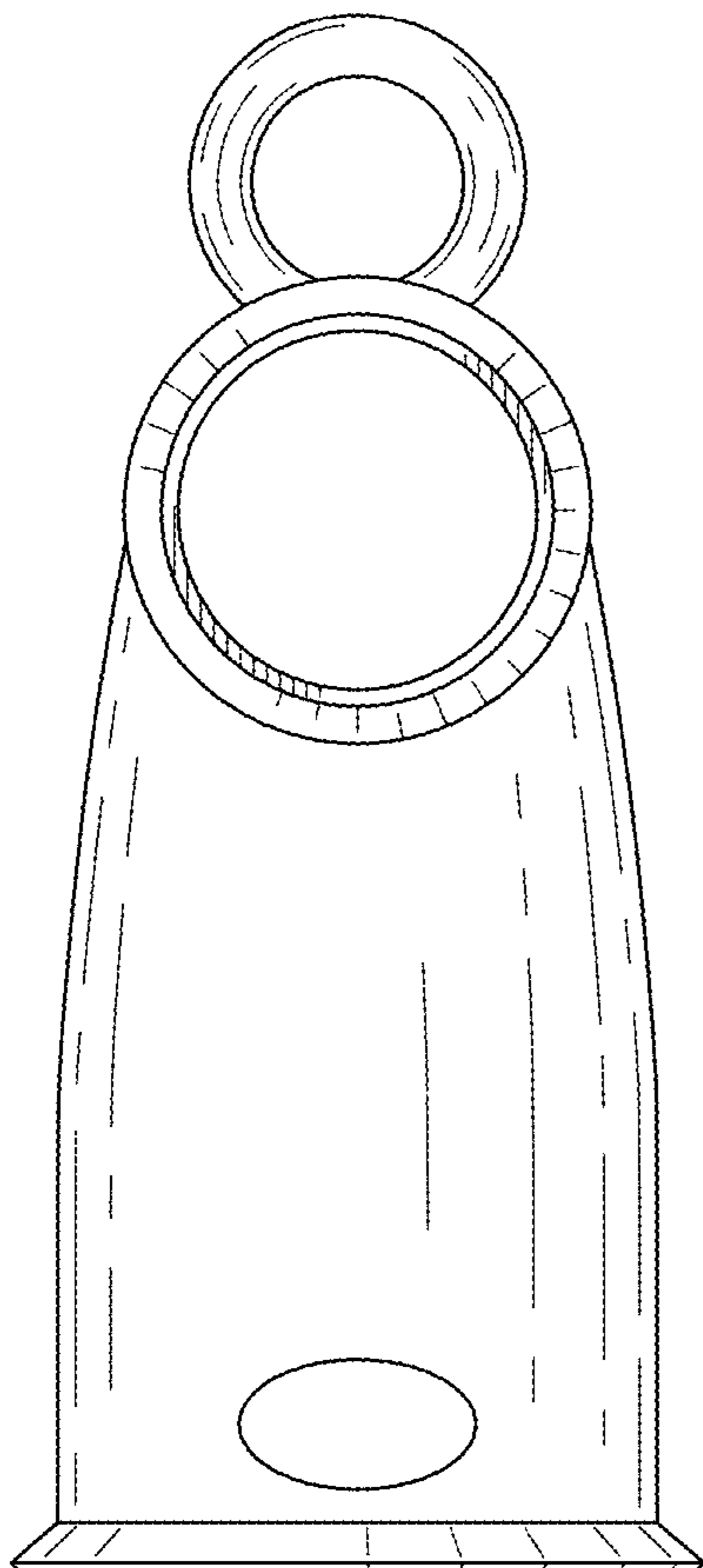
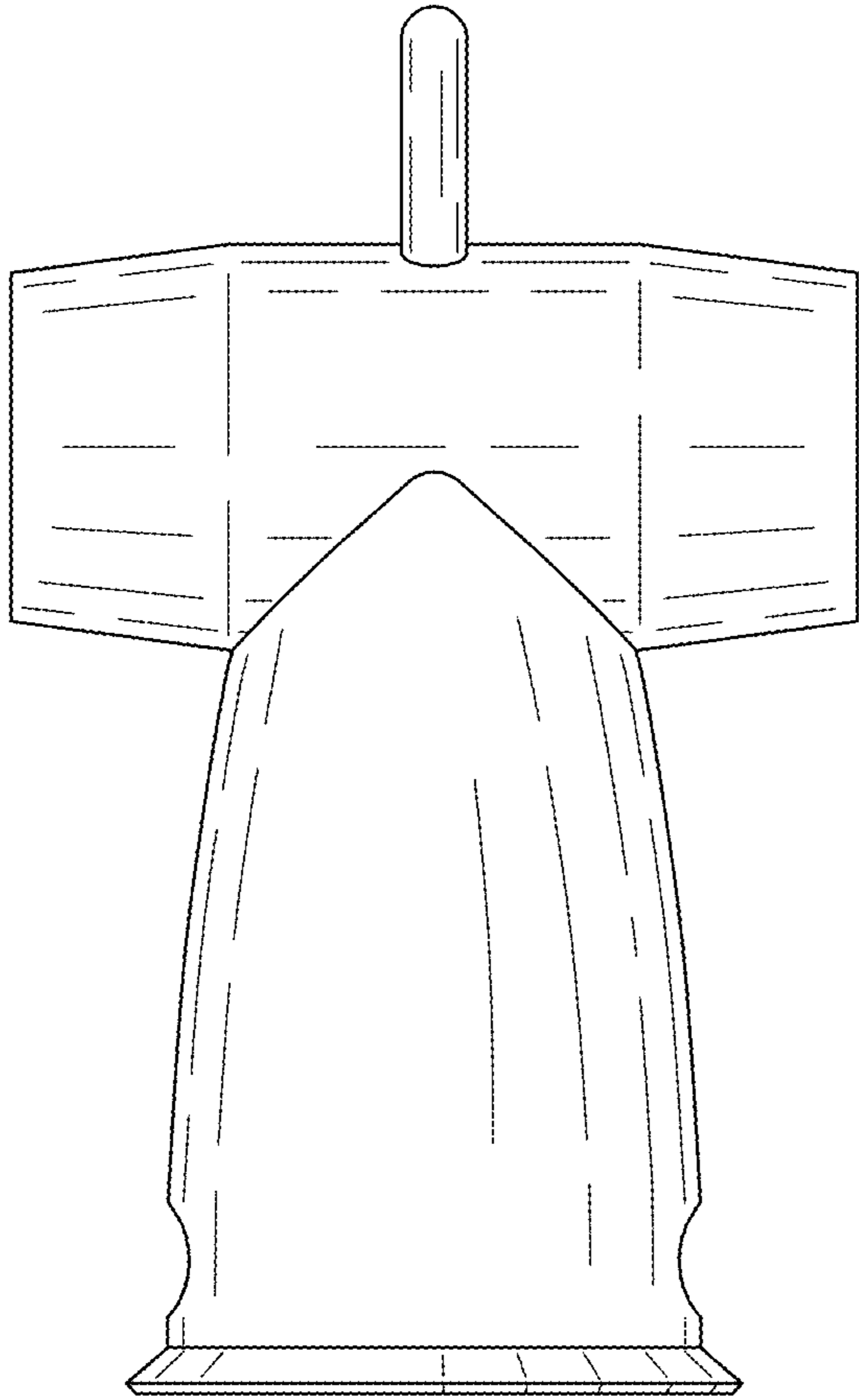
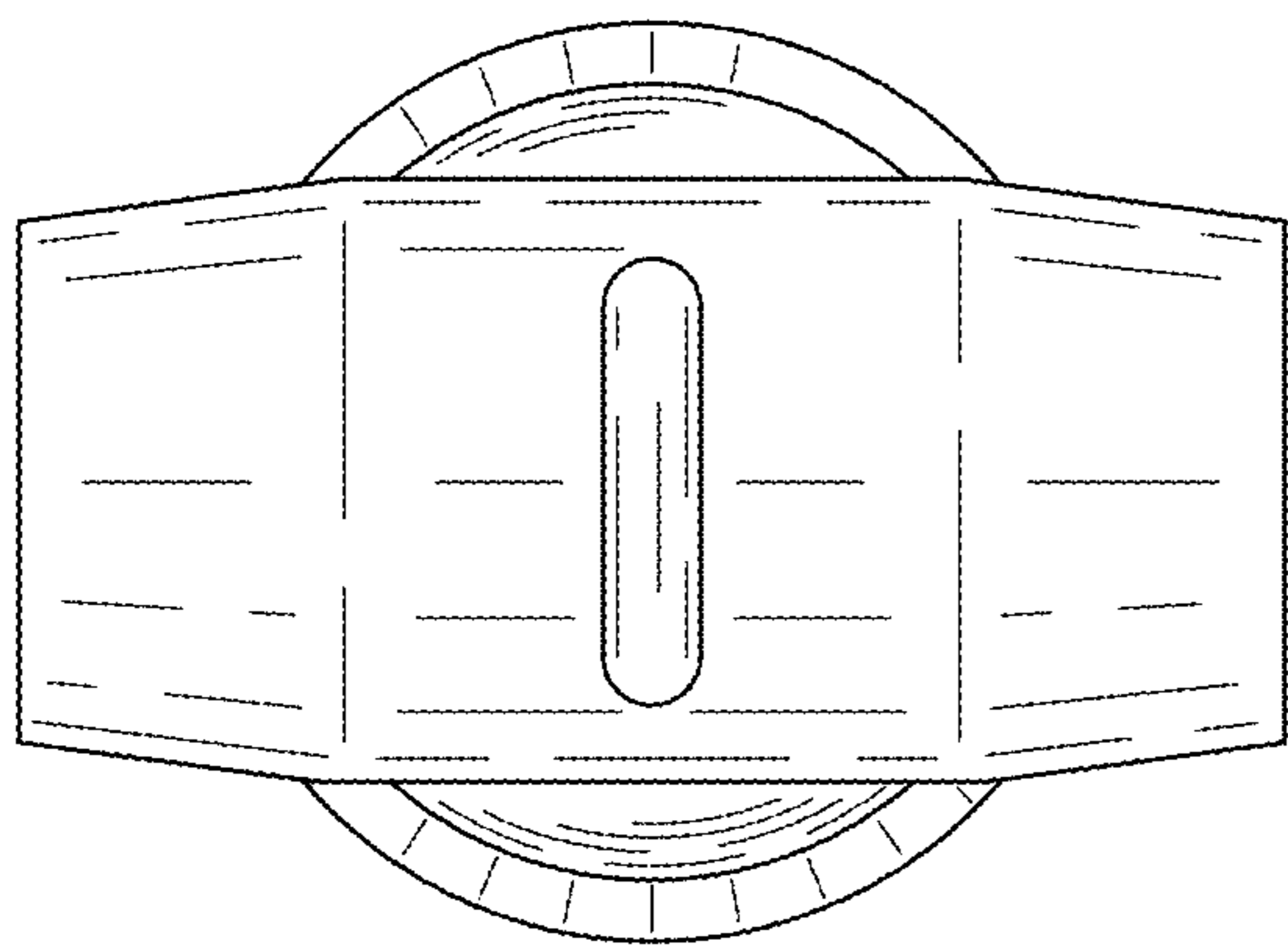


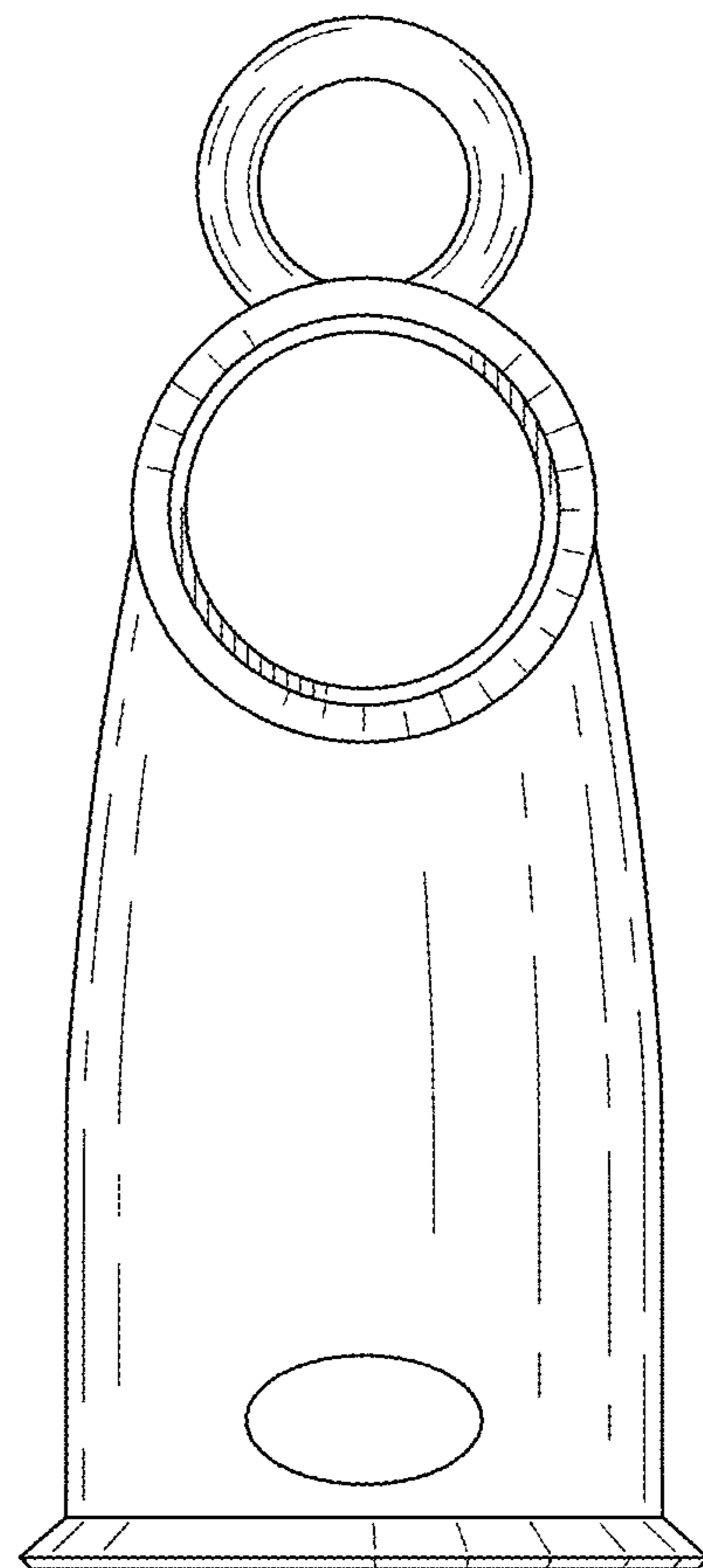
FIG. 2



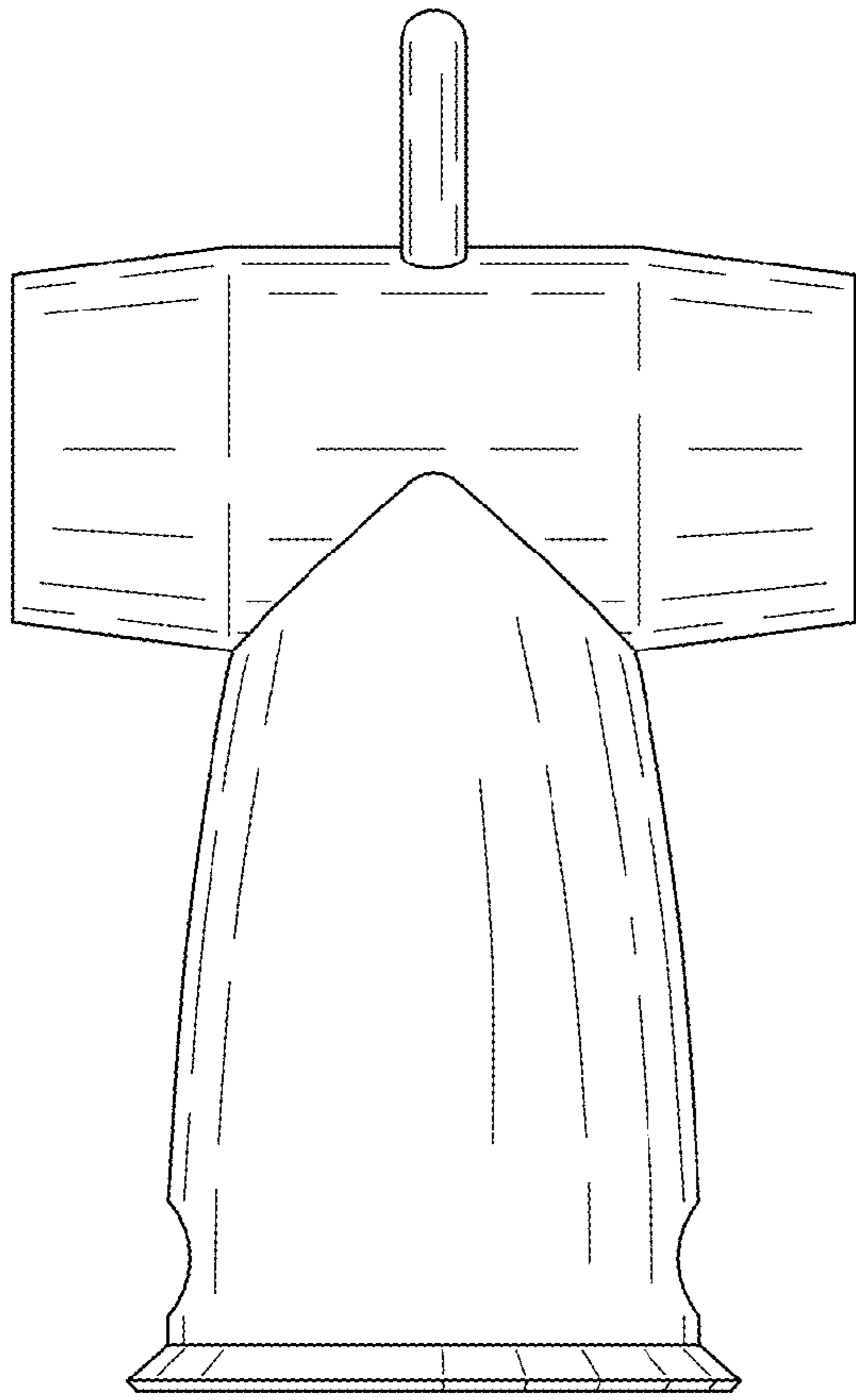
*FIG. 3*



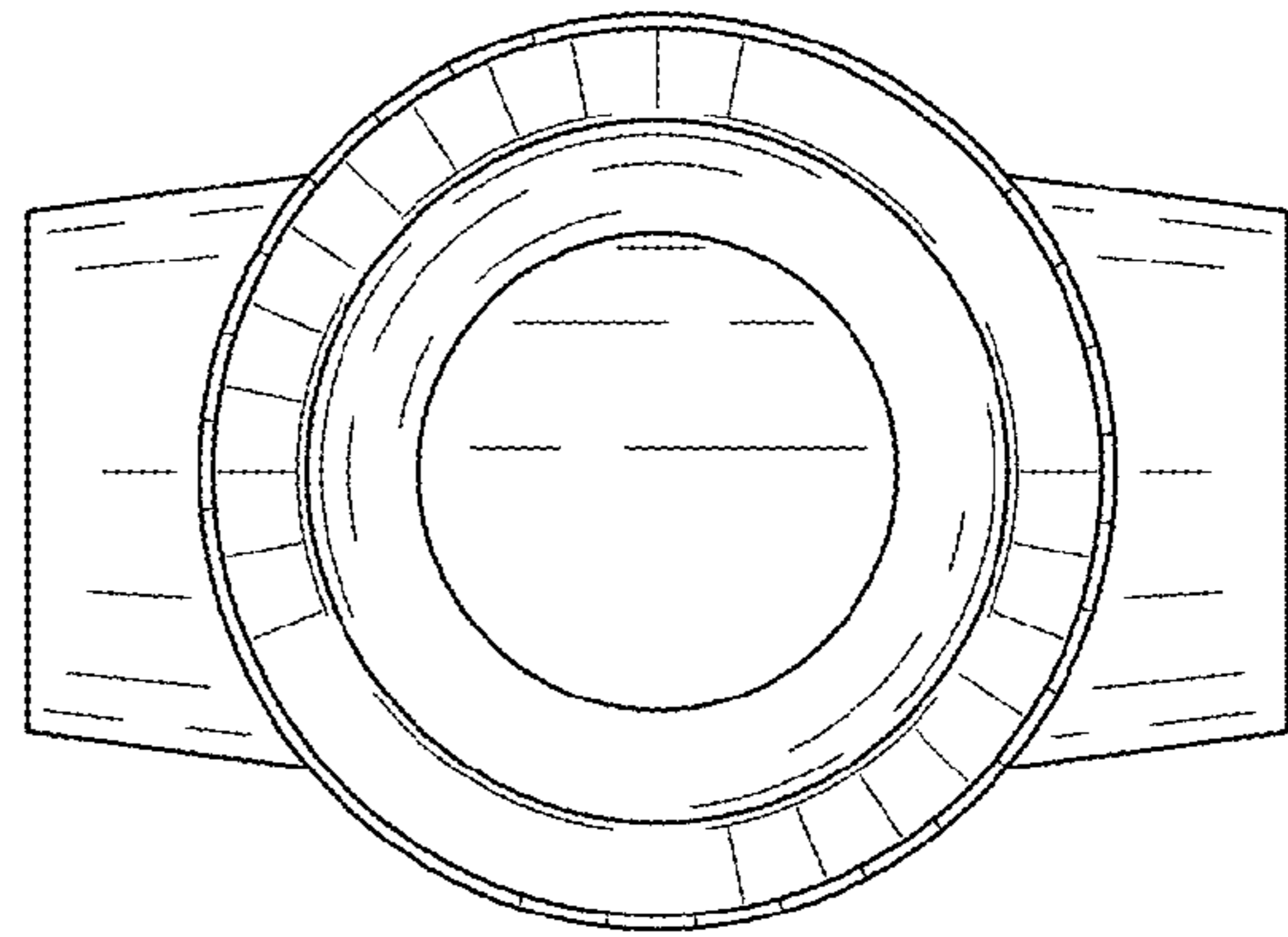
*FIG. 4*



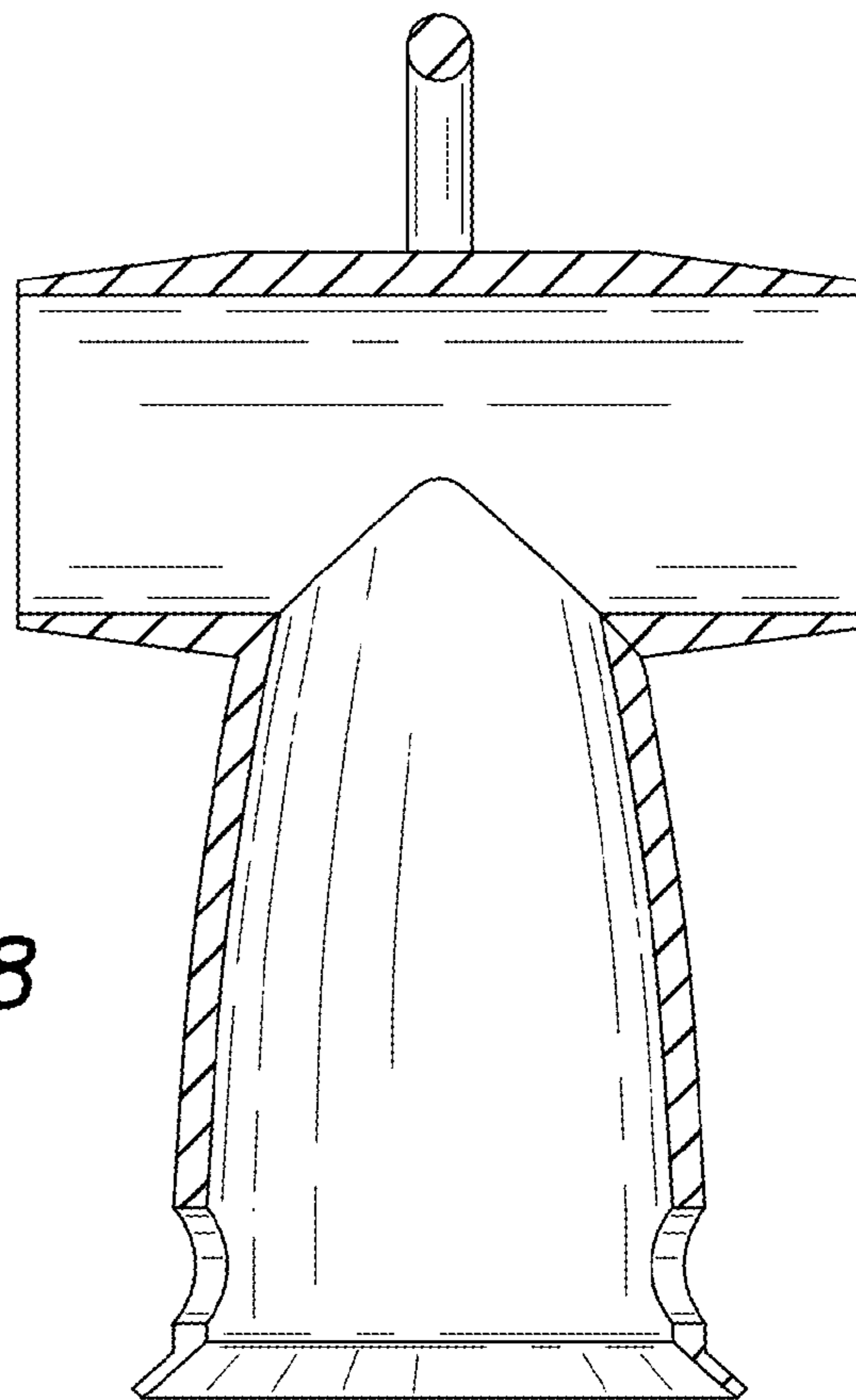
*FIG. 5*



*FIG. 6*



*FIG. 7*



*FIG. 8*