



US00D906037S

(12) **United States Design Patent**  
**Yuan**

(10) **Patent No.:** **US D906,037 S**

(45) **Date of Patent:** **\*\* Dec. 29, 2020**

(54) **CONSTANT TEMPERATURE HEATER**

(71) Applicant: **Houbing Yuan**, Guangdong (CN)

(72) Inventor: **Houbing Yuan**, Guangdong (CN)

(\*\*) Term: **15 Years**

(21) Appl. No.: **29/697,736**

(22) Filed: **Jul. 11, 2019**

(51) **LOC (12) Cl.** ..... **07-02**

(52) **U.S. Cl.**  
USPC ..... **D7/362**

(58) **Field of Classification Search**  
USPC ..... D23/314, 317, 318, 319, 320, 321, 322,  
D23/323, 329, 330, 331, 332, 334, 335,  
D23/333, 336, 337, 338, 339, 340, 341,  
D23/342, 370, 378, 411, 412, 356, 358,  
D23/359, 363, 328.351, 369, 351;  
D7/363, 367, 362

CPC ..... F24H 3/00; F24H 3/0411; F24H 3/0417;  
F24H 9/0063; F24H 9/0073; F24H 9/02;  
F24H 3/082; F24H 9/2071; F24H 3/002;  
F24H 3/02; F24H 3/04; F04D 17/04;  
F04D 25/08; F04D 25/10; F04D 5/00;  
H05B 3/008; H05B 3/686; H05B 3/683;  
A47J 36/2472

See application file for complete search history.

(56) **References Cited**

**U.S. PATENT DOCUMENTS**

D215,514 S *	10/1969	Betzer	.....	D7/363
D259,168 S *	5/1981	Petrie	.....	D7/367
D290,140 S *	6/1987	Wolff	.....	D19/75
4,943,705 A *	7/1990	Halloran	.....	A47J 36/2483
				219/385
D312,747 S *	12/1990	Keung	.....	D7/326
D330,276 S *	10/1992	Mitchum, Jr.	.....	D34/27
D575,860 S *	8/2008	Wu	.....	D23/366
D676,123 S *	2/2013	Hideharu	.....	D23/370
9,477,313 B2 *	10/2016	Mistry	.....	G04G 17/04

D771,521 S *	11/2016	McDonald	.....	D11/131
9,485,806 B1 *	11/2016	McClendon	.....	H05B 3/02
D801,496 S *	10/2017	Letham	.....	D23/336
D811,803 S *	3/2018	Lee	.....	D7/362
D812,021 S *	3/2018	Lee	.....	D13/171
D815,885 S *	4/2018	Lee	.....	D7/362
D817,699 S *	5/2018	Lee	.....	D7/362
D817,700 S *	5/2018	Lee	.....	D7/362
D819,580 S *	6/2018	Krishnan	.....	D13/182
D831,584 S *	10/2018	Lee	.....	D13/162

(Continued)

**OTHER PUBLICATIONS**

Coffee Mug Warmer, Vobaga 4 Hours Auto Shut-Off Coffee Warmer Plate for Office Home Desk Use with 3 Temperature Settings , 20watt Electric Cup Warmer for Cocoa,Tea, Water, Milk, (No Cup) [https://www.amazon.com/dp/B07SW2YDMM/ref=cm\\_sw\\_r\\_em\\_api\\_i\\_4486Eb0BJF2E3](https://www.amazon.com/dp/B07SW2YDMM/ref=cm_sw_r_em_api_i_4486Eb0BJF2E3) (Year: 2019).\*

*Primary Examiner* — Ania Aman

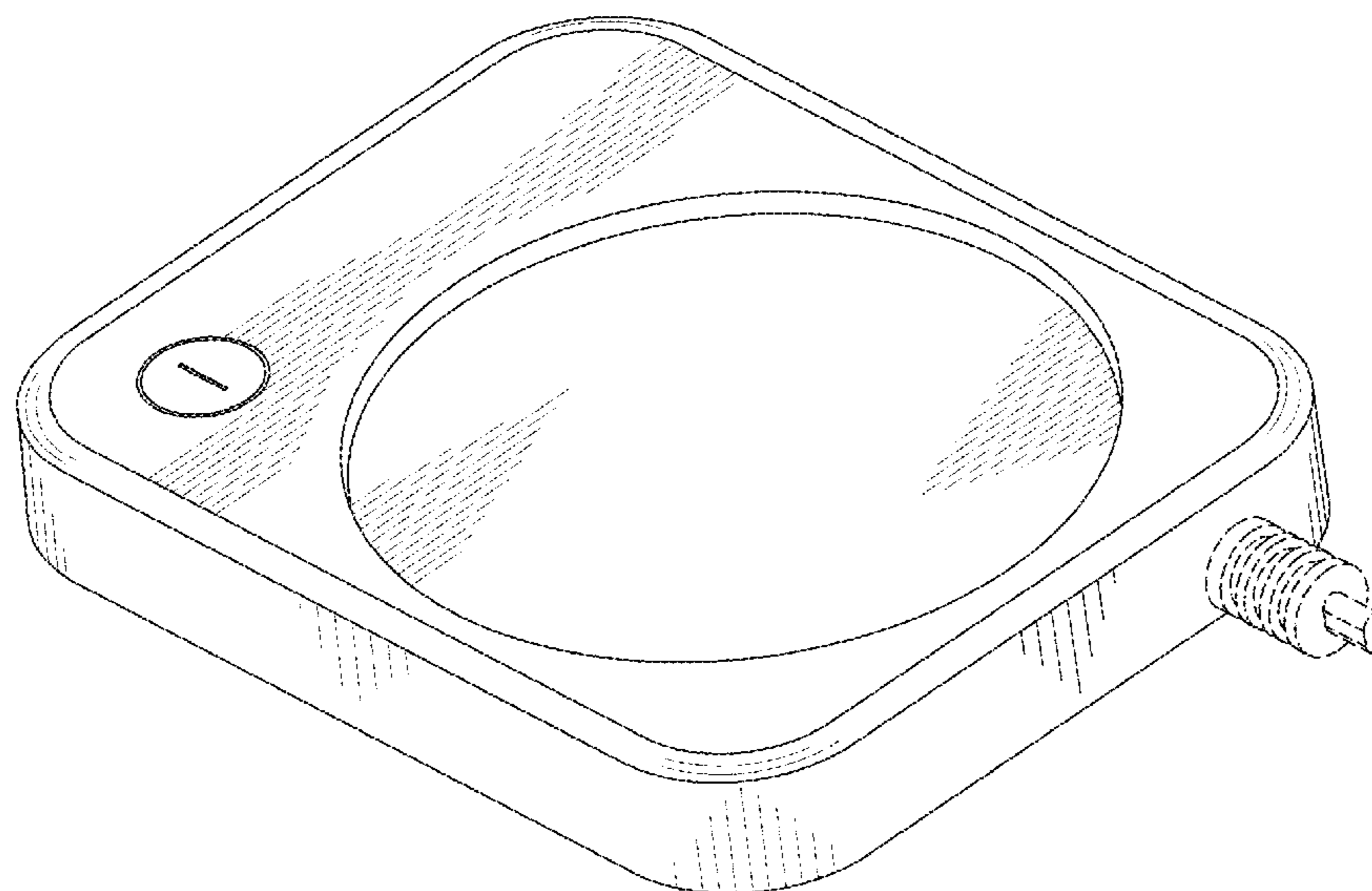
(57) **CLAIM**

The ornamental design for a constant temperature heater, as shown and described.

**DESCRIPTION**

FIG. 1 is a front elevational view of a constant temperature heater showing my new design;  
FIG. 2 is a rear elevational view thereof;  
FIG. 3 is a left side view thereof;  
FIG. 4 is a right side view thereof;  
FIG. 5 is a top plan view thereof;  
FIG. 6 is a bottom plan view thereof;  
FIG. 7 is a top, front and right side perspective view thereof;  
and,  
FIG. 8 is a top, rear and left side perspective view thereof.  
The broken lines in the drawings illustrate portions of the constant temperature heater which form no part of the claimed design.

**1 Claim, 8 Drawing Sheets**



(56)

**References Cited**

U.S. PATENT DOCUMENTS

D831,585 S \* 10/2018 Lee ..... D13/162  
D833,208 S \* 11/2018 Yang ..... D7/363  
D845,931 S \* 4/2019 Kosuge ..... D14/218  
D850,371 S \* 6/2019 Yun ..... D13/108  
D854,876 S \* 7/2019 Zou ..... D7/367  
D865,925 S \* 11/2019 Jurczynszak ..... D23/318  
2004/0139860 A1 \* 7/2004 Hamm ..... A47J 36/2433  
99/275  
2016/0372321 A1 \* 12/2016 Krishnan ..... H01L 21/67103  
2018/0078087 A1 \* 3/2018 Benitez ..... A47J 36/2472  
2018/0279826 A1 \* 10/2018 Chung ..... A47J 36/06  
2020/0049375 A1 \* 2/2020 Choi ..... F24H 1/162

\* cited by examiner

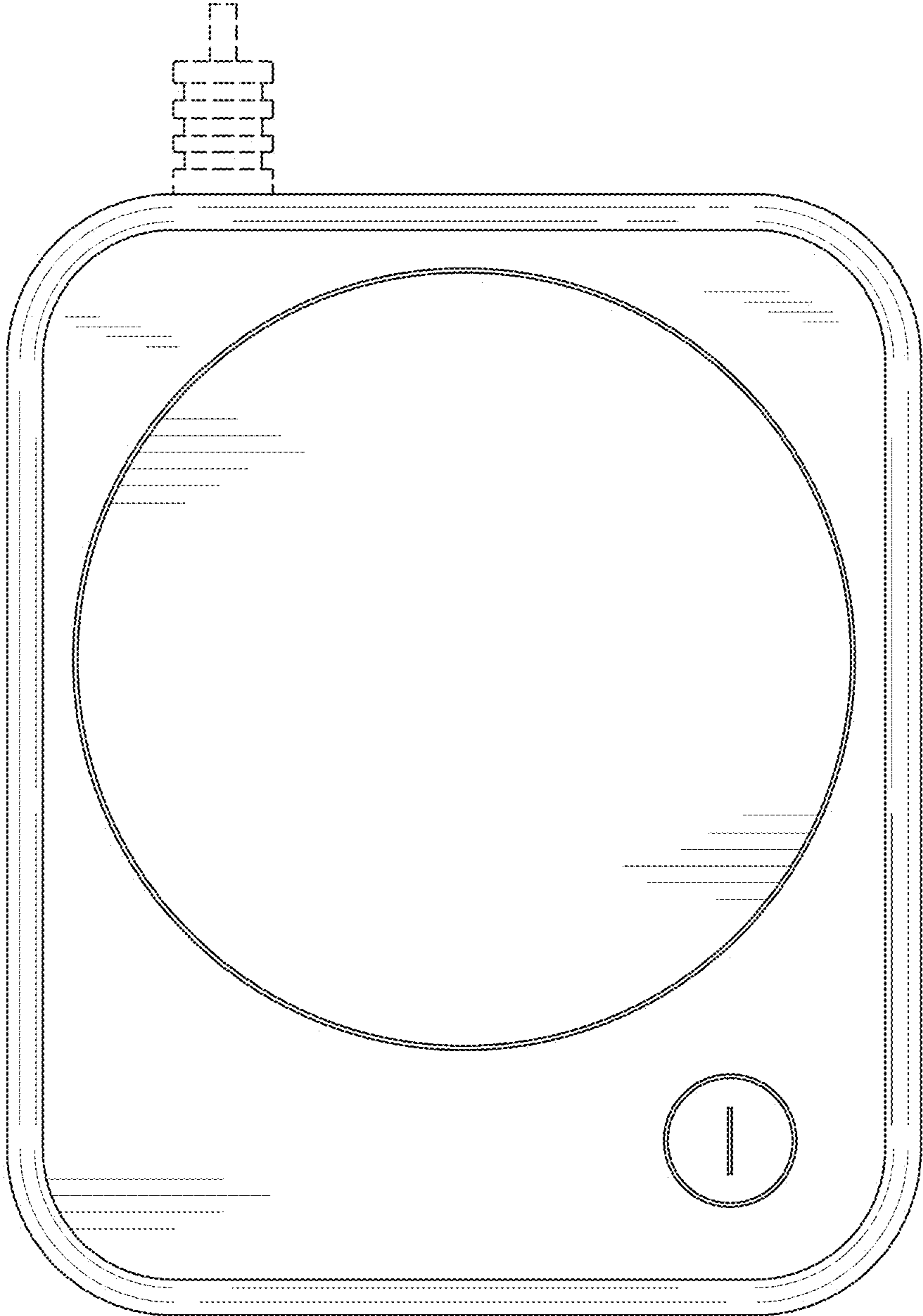


FIG.1

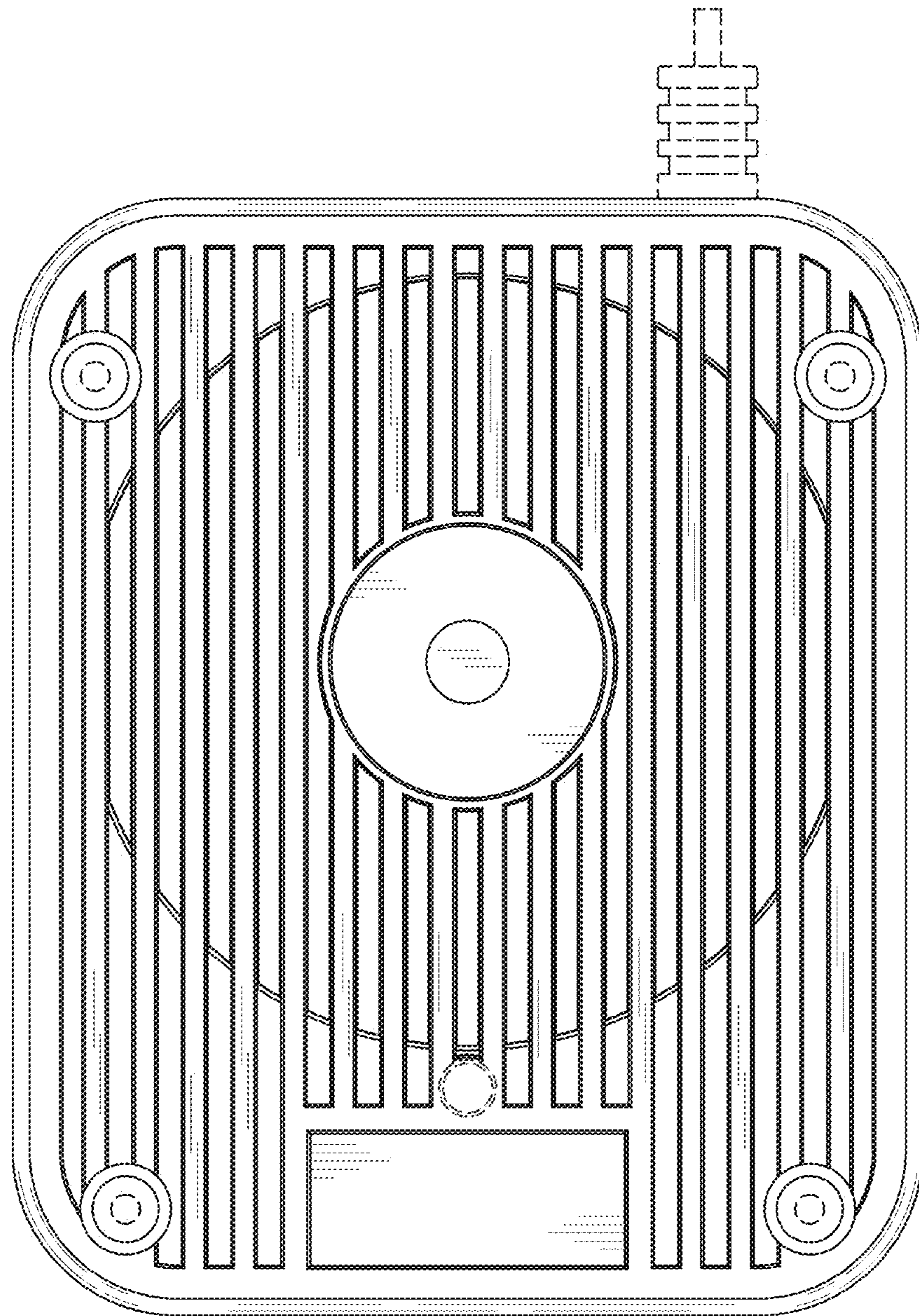


FIG.2

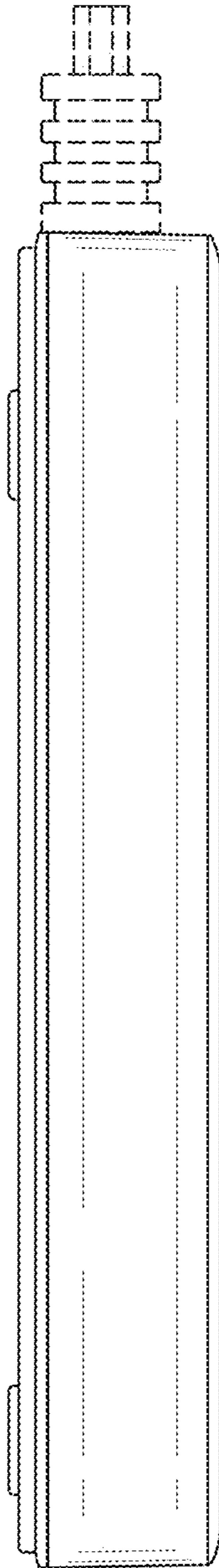


FIG.3

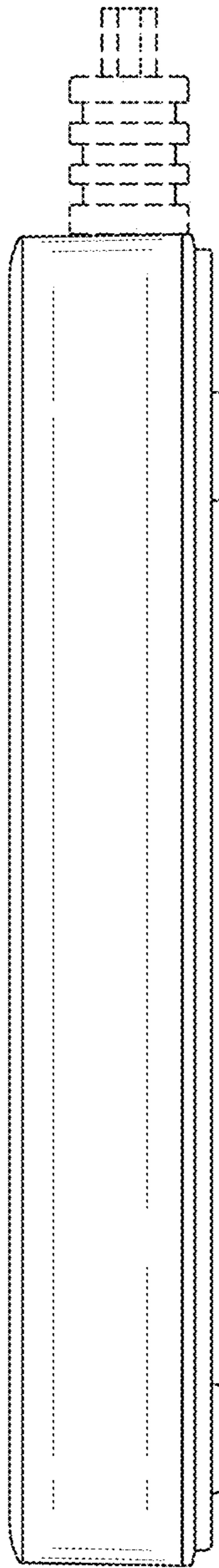


FIG.4

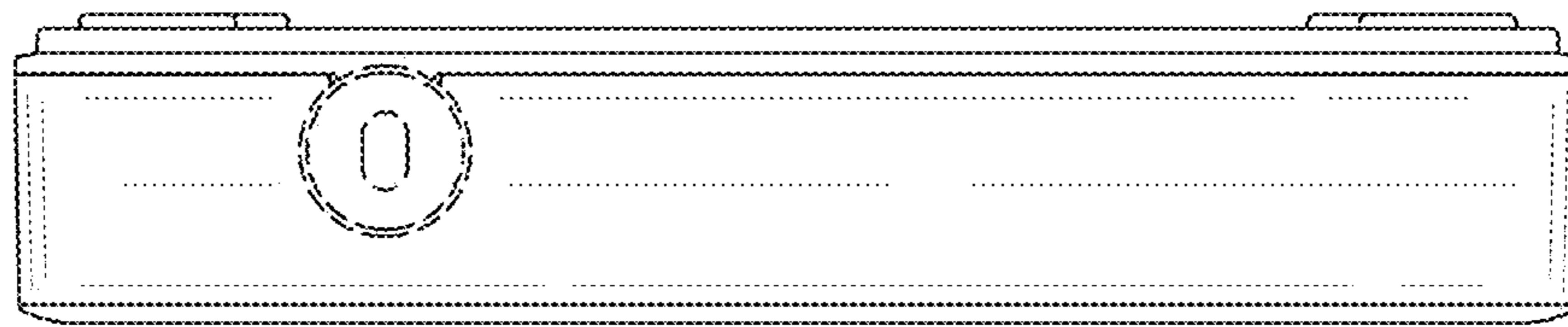


FIG. 5

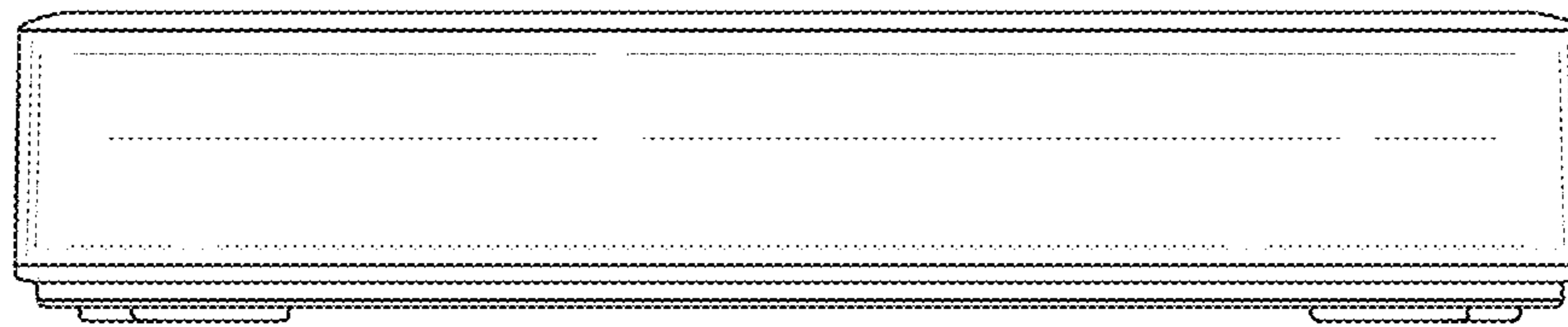


FIG.6



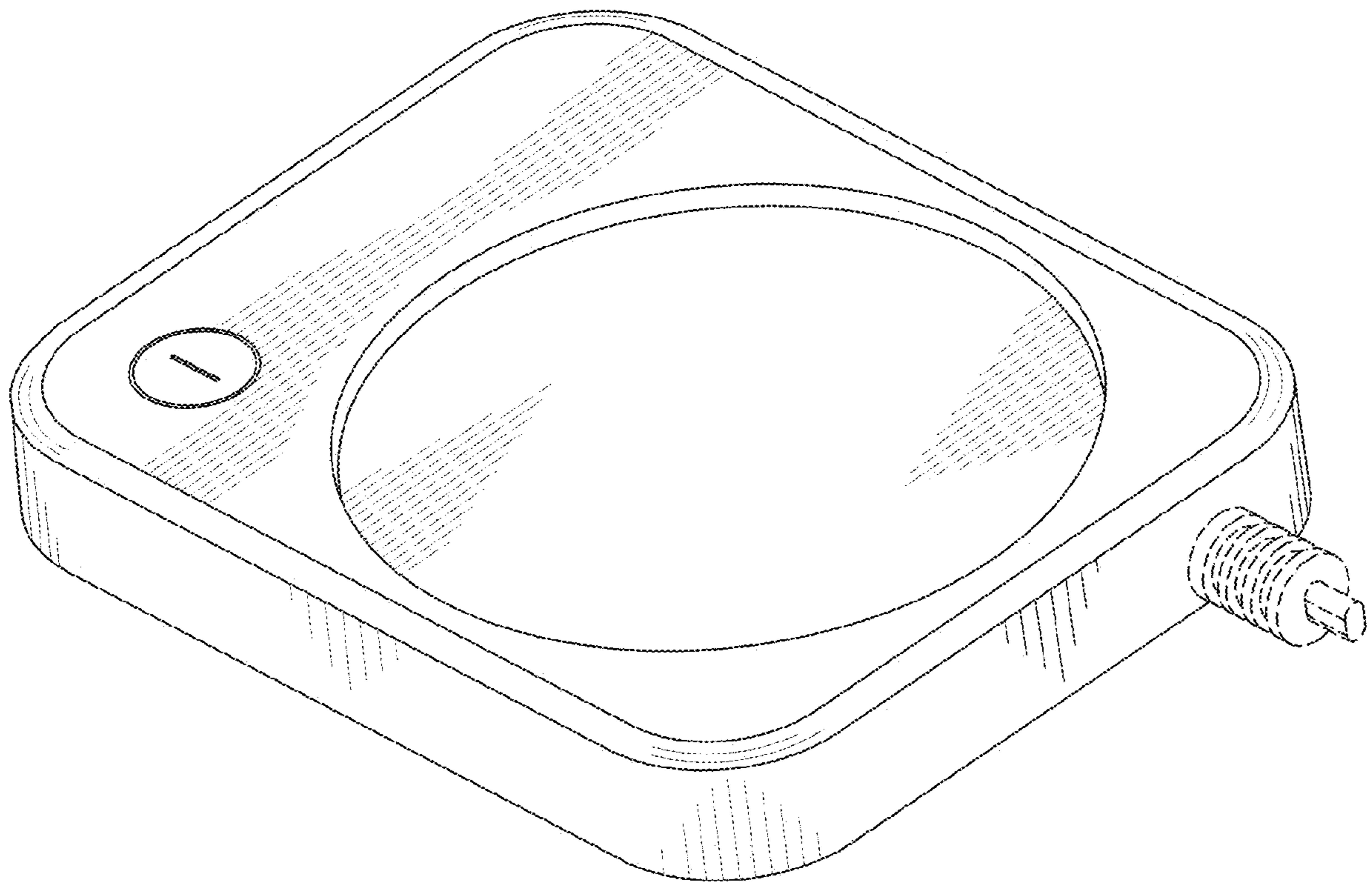


FIG.7

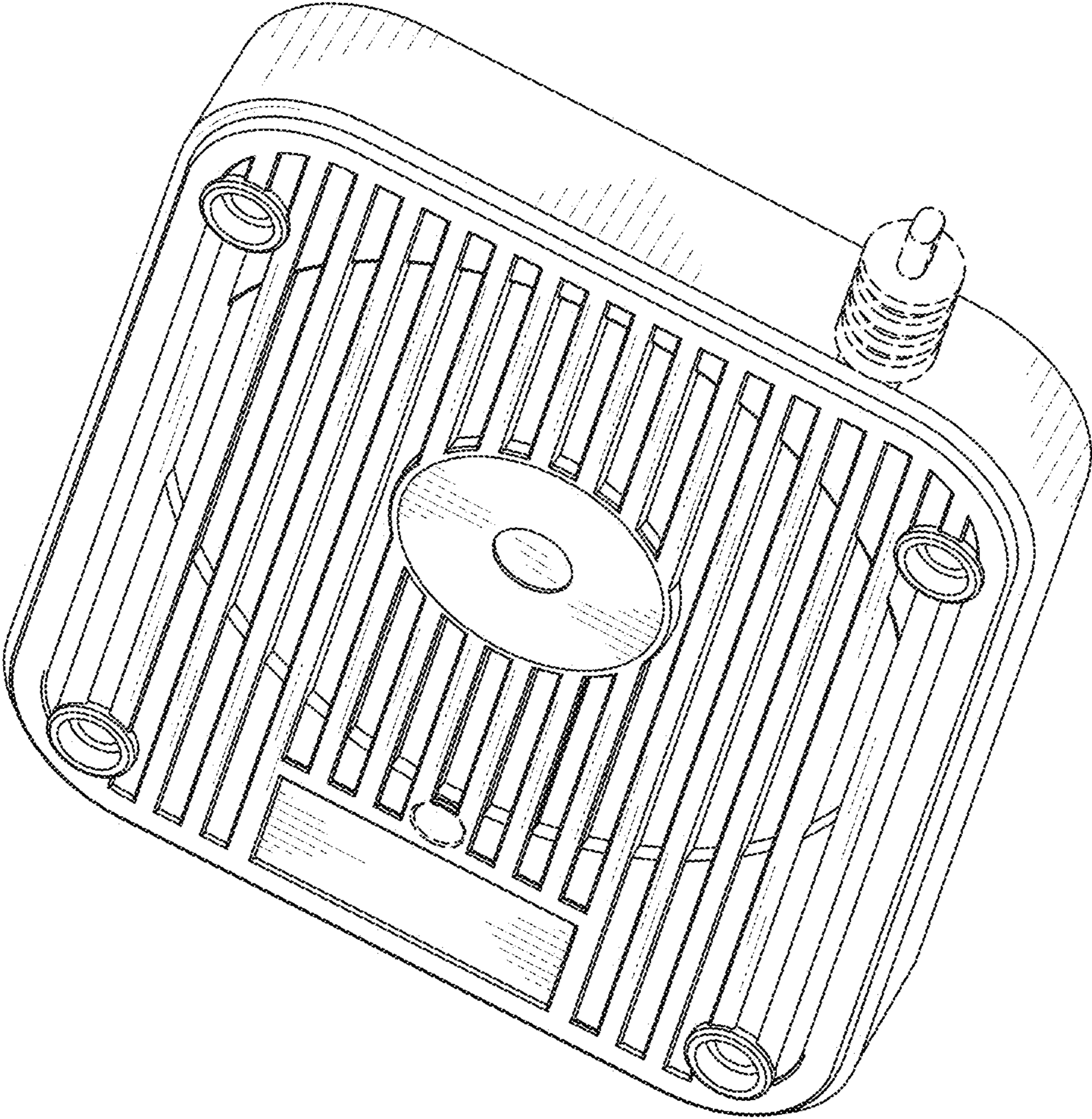


FIG.8