



US00D906036S

(12) **United States Design Patent** (10) **Patent No.:** **US D906,036 S**
Zhou (45) **Date of Patent:** **** Dec. 29, 2020**

- (54) **DUTCH OVEN**
- (71) Applicant: **SUZHOU EWAY TECH CO., LTD.,**
Suzhou (CN)
- (72) Inventor: **Min Zhou,** Suzhou (CN)
- (73) Assignee: **SUZHOU EWAY TECH CO., LTD.,**
Suzhou (CN)
- (**) Term: **15 Years**
- (21) Appl. No.: **29/718,207**
- (22) Filed: **Dec. 20, 2019**
- (51) **LOC (12) Cl.** **07-02**
- (52) **U.S. Cl.**
USPC **D7/360; D7/354**
- (58) **Field of Classification Search**
USPC D7/323, 354–363, 391, 393–396, 409,
D7/538, 542, 629
CPC A47G 19/12; A47J 27/00; A47J 27/002;
A47J 27/08; A47J 27/21; A47J 27/58;
A47J 36/025; A47J 36/06; A47J 36/12;
A47J 37/00; A47J 37/10; A47J 37/101;
A47J 37/103; A47J 37/12; A47J 37/1204;
A47J 45/061; A47J 45/071; A47J 45/08;
H05B 6/12
See application file for complete search history.

D480,262 S	10/2003	Smekh	
D508,817 S	8/2005	Kellermann et al.	
D557,062 S *	12/2007	Henry	D7/360
D564,828 S	3/2008	Solis et al.	
D575,114 S *	8/2008	Moghavem	D7/629
D577,549 S *	9/2008	Plante	D7/538
D586,176 S	2/2009	Loring	
D667,273 S *	9/2012	Henry	D7/542
D755,559 S *	5/2016	Gabbay	D7/360
D756,162 S	5/2016	Gabbay	
D808,709 S *	1/2018	Tyson	D7/360
D811,800 S *	3/2018	Workman	D7/360
D811,801 S	3/2018	Workman et al.	
D829,489 S *	10/2018	Khubani	D7/358
D832,030 S *	10/2018	Veldeman	D7/391
D853,180 S *	7/2019	Jamison	D7/391

(Continued)

OTHER PUBLICATIONS

Camp Dutch Oven by Overnont as found on Amazon.com (date first available/listed on Amazon Apr. 28, 2019); <https://www.amazon.com/dp/B07KP8NZH3> (Year: 2019).*

Primary Examiner — Ricky Pham
(74) *Attorney, Agent, or Firm* — Bayramoglu Law Offices LLC

(57) **CLAIM**

The ornamental design for a Dutch oven, as shown and described.

DESCRIPTION

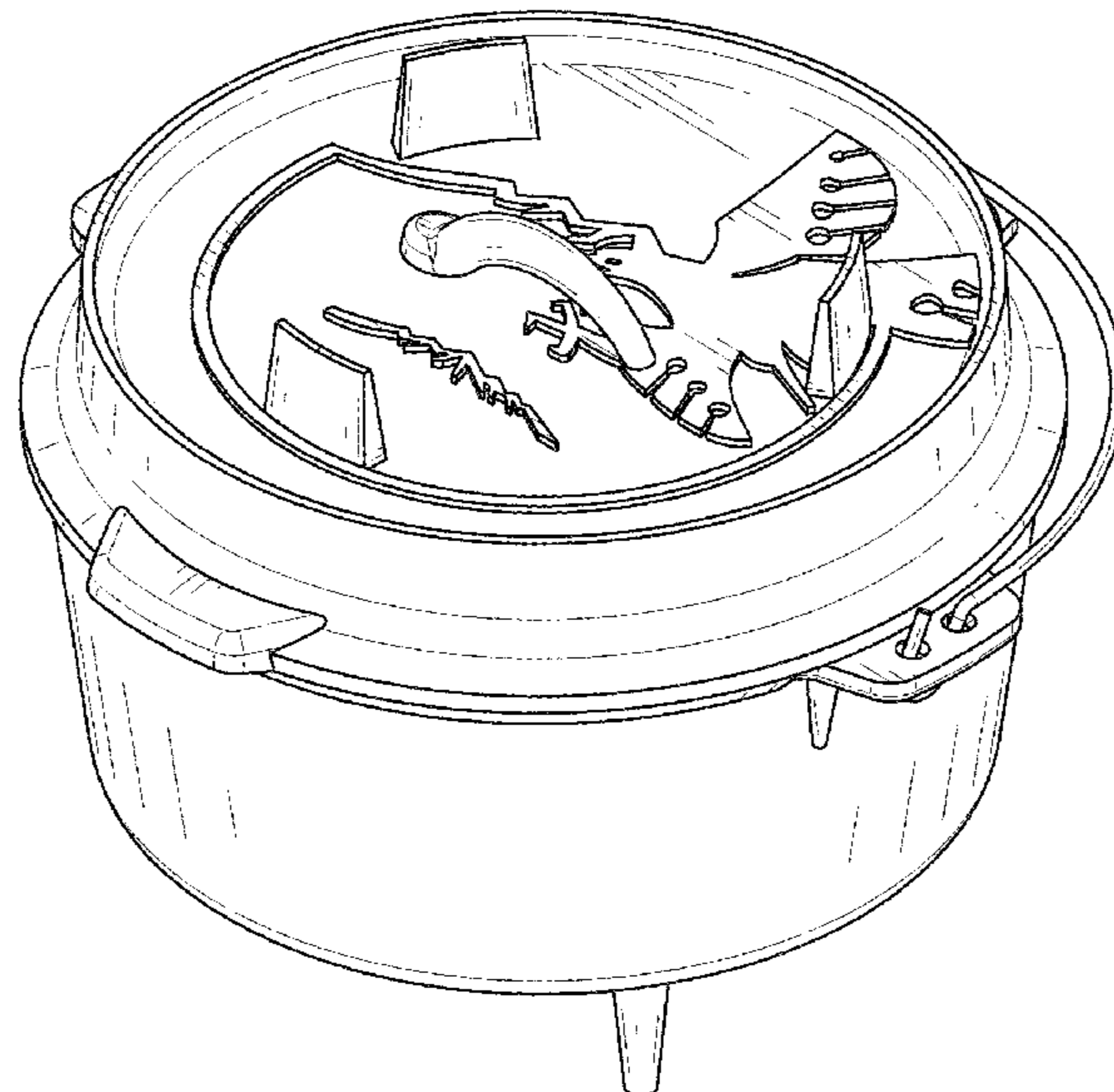
FIG. 1 is a front, right side, top perspective view of a Dutch oven showing my new design;
FIG. 2 is a front elevational view thereof;
FIG. 3 is a rear elevational view thereof;
FIG. 4 is a left side elevational view thereof;
FIG. 5 is a right side elevational view thereof;
FIG. 6 is a top plan view thereof; and,
FIG. 7 is a bottom plan view thereof.

1 Claim, 7 Drawing Sheets

(56) **References Cited**

U.S. PATENT DOCUMENTS

D218,346 S	8/1970	Aubecq	
D270,030 S	8/1983	Catry	
D292,055 S *	9/1987	van Loon	D7/538
D295,819 S	5/1988	Mercadante	
D368,828 S	4/1996	Thurlow	
D395,787 S	7/1998	Wilks	
D396,600 S	8/1998	Otero	
D472,759 S	4/2003	Teisen-Simony et al.	
D477,970 S	8/2003	Thonis	



(56)

References Cited

U.S. PATENT DOCUMENTS

D885,119 S * 5/2020 Mingwang D7/391
D889,190 S * 7/2020 Li D7/360

* cited by examiner

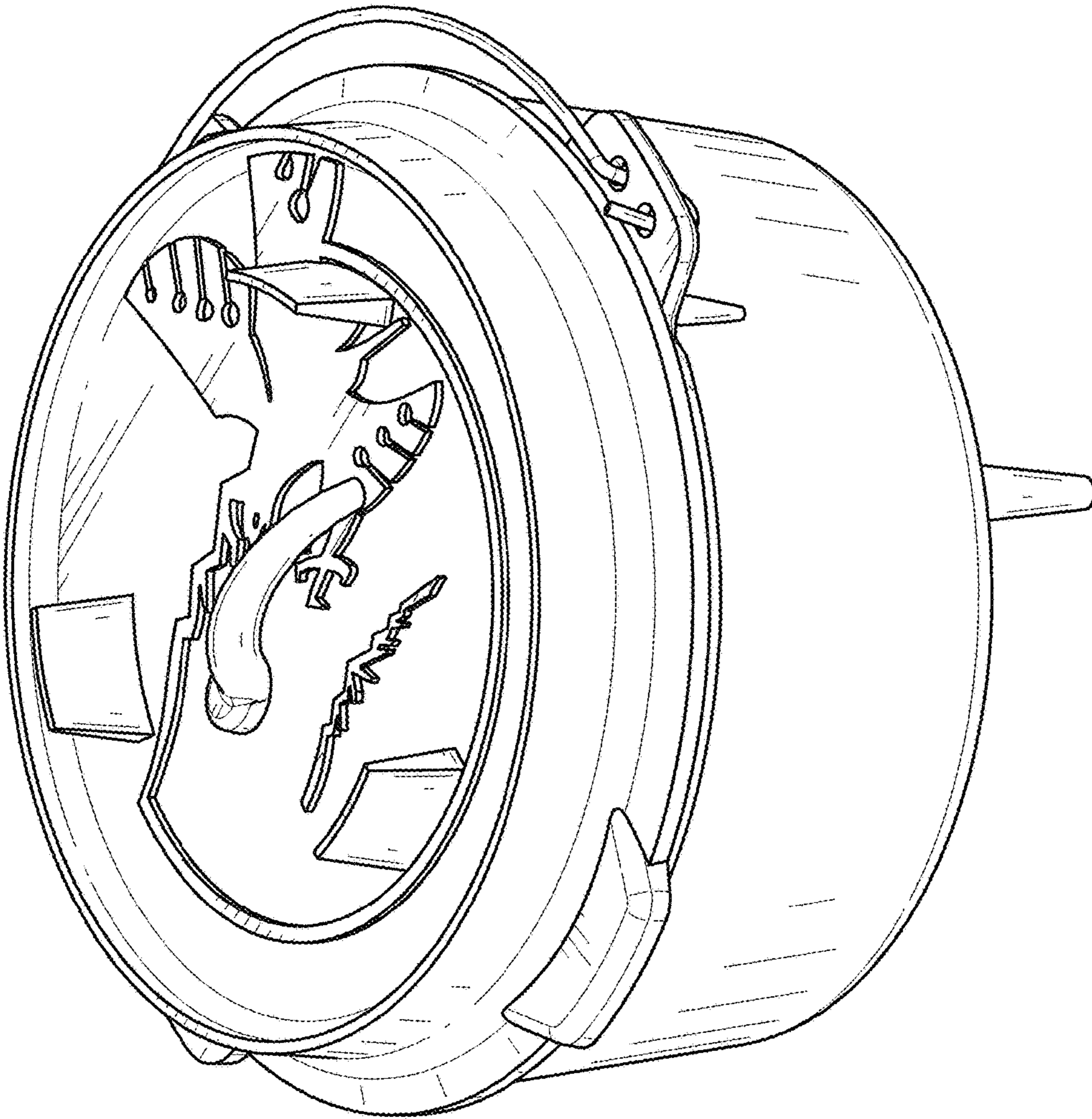


FIG.1

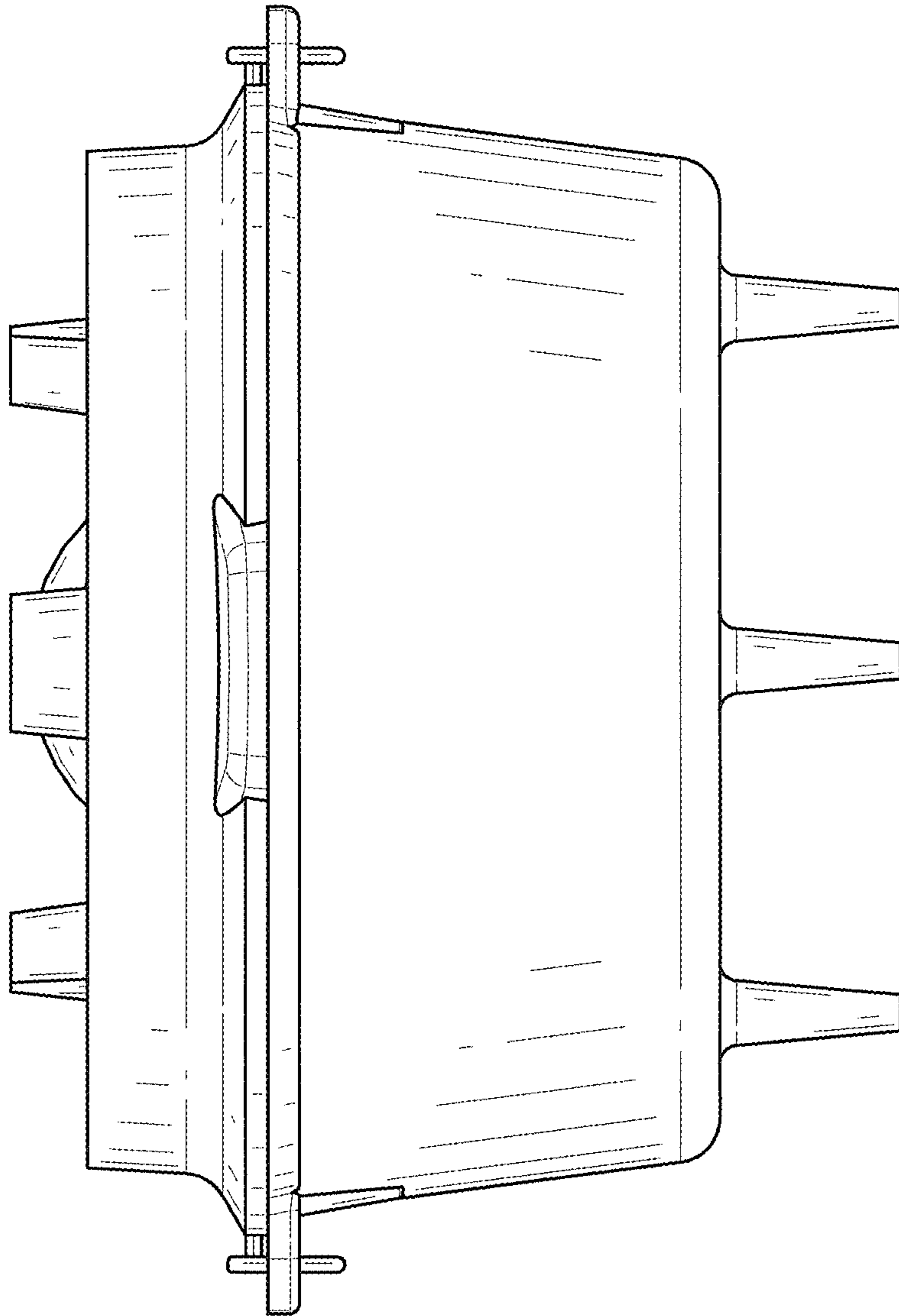


FIG.2

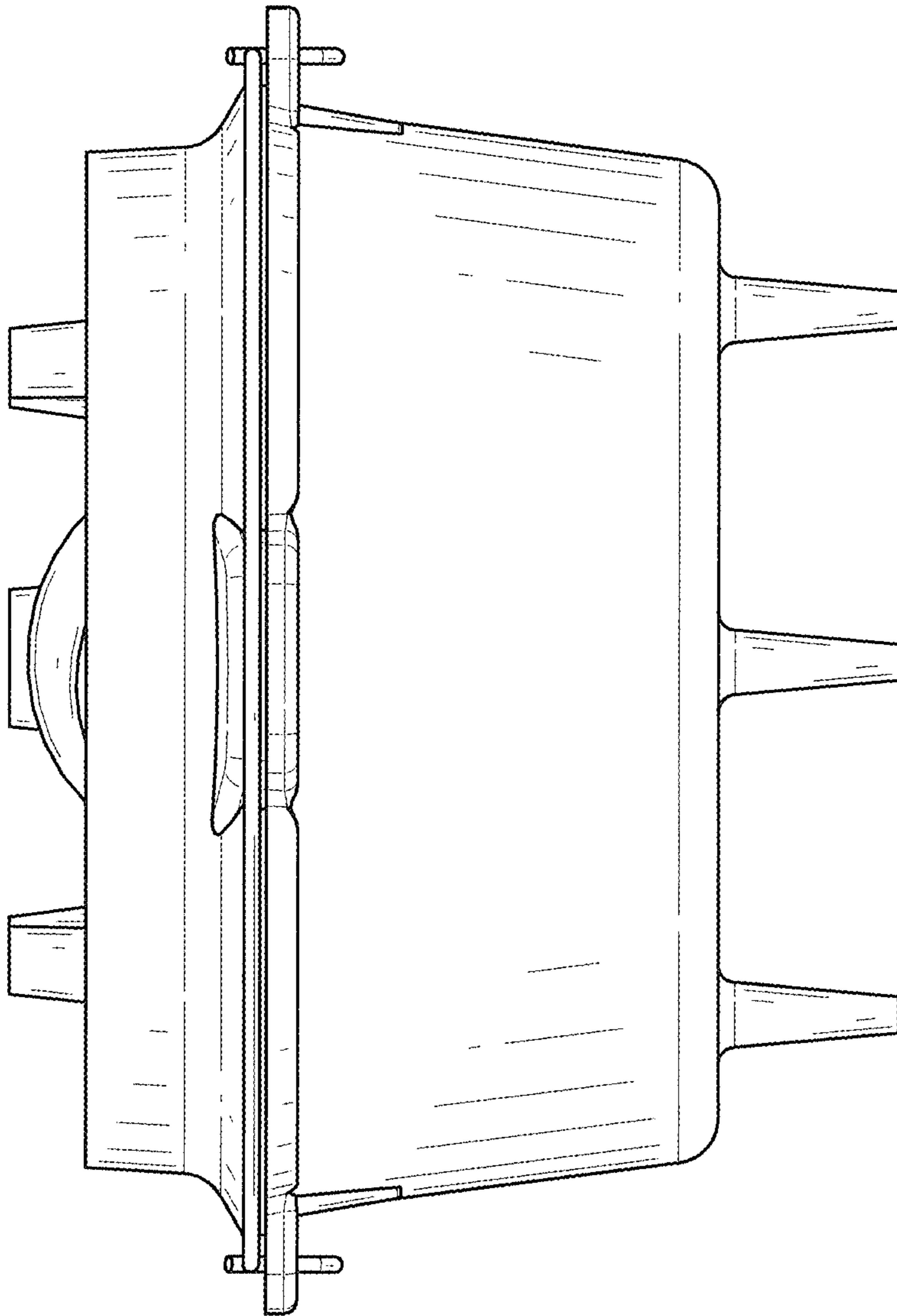


FIG.3

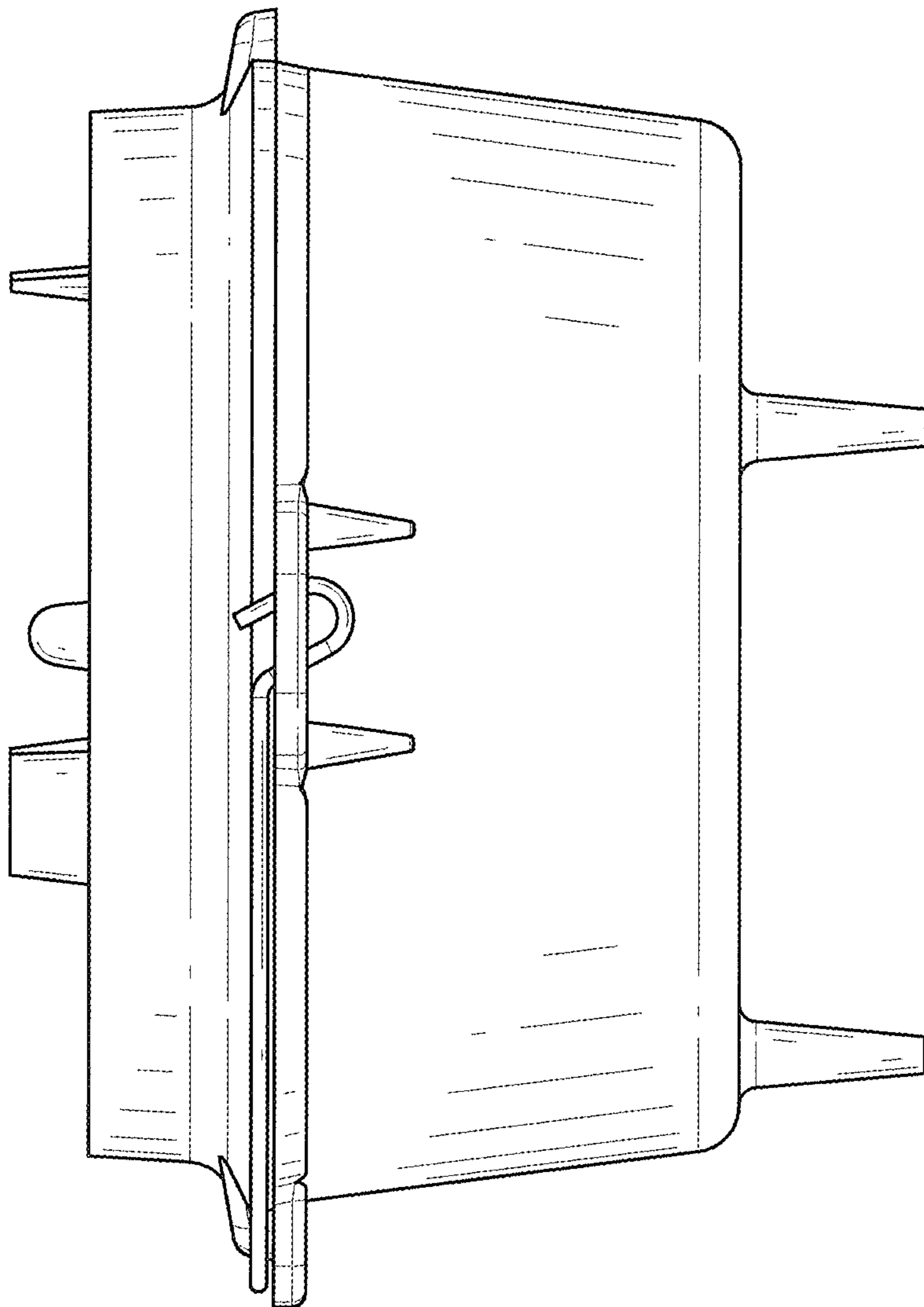


FIG.4

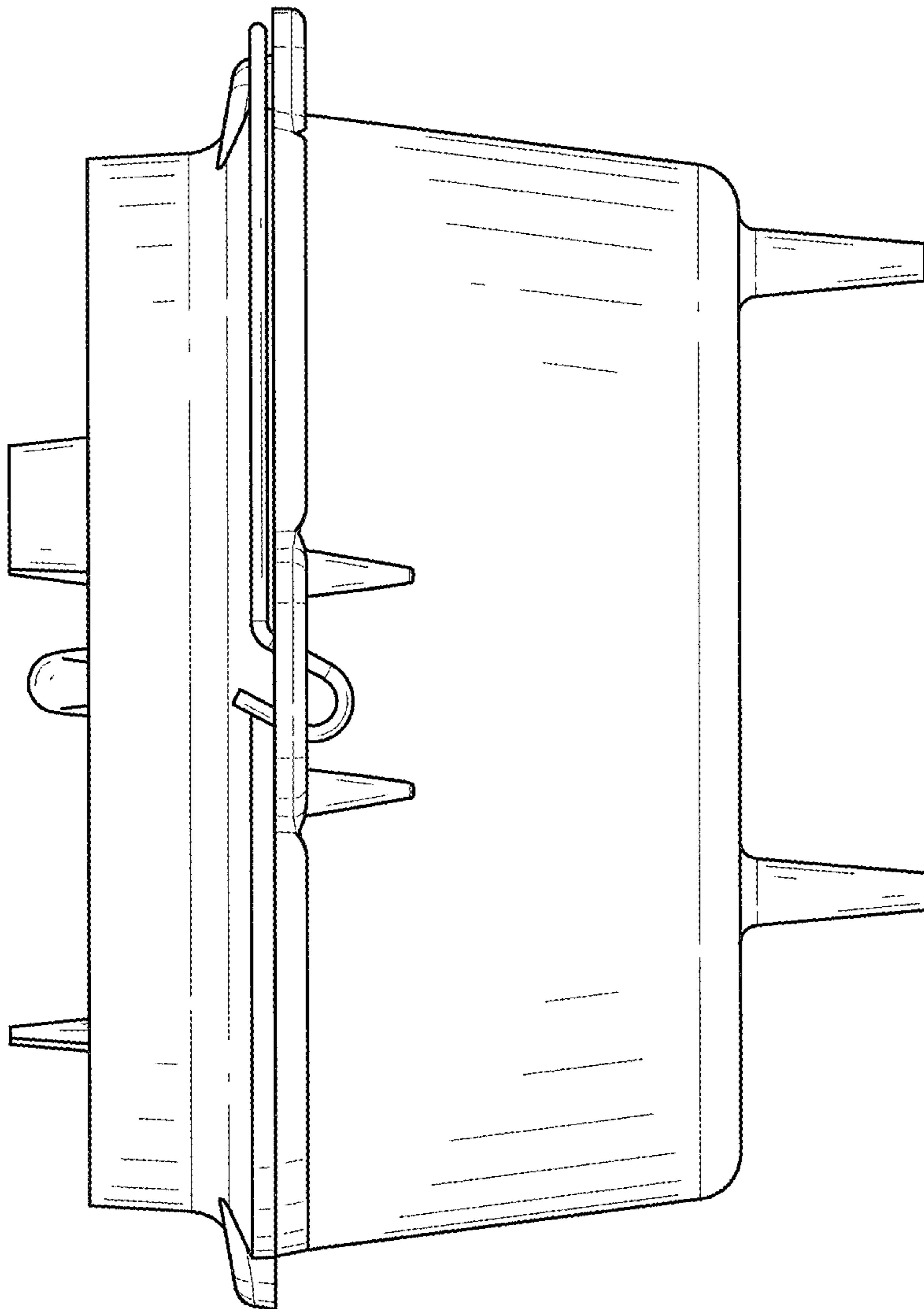


FIG 5

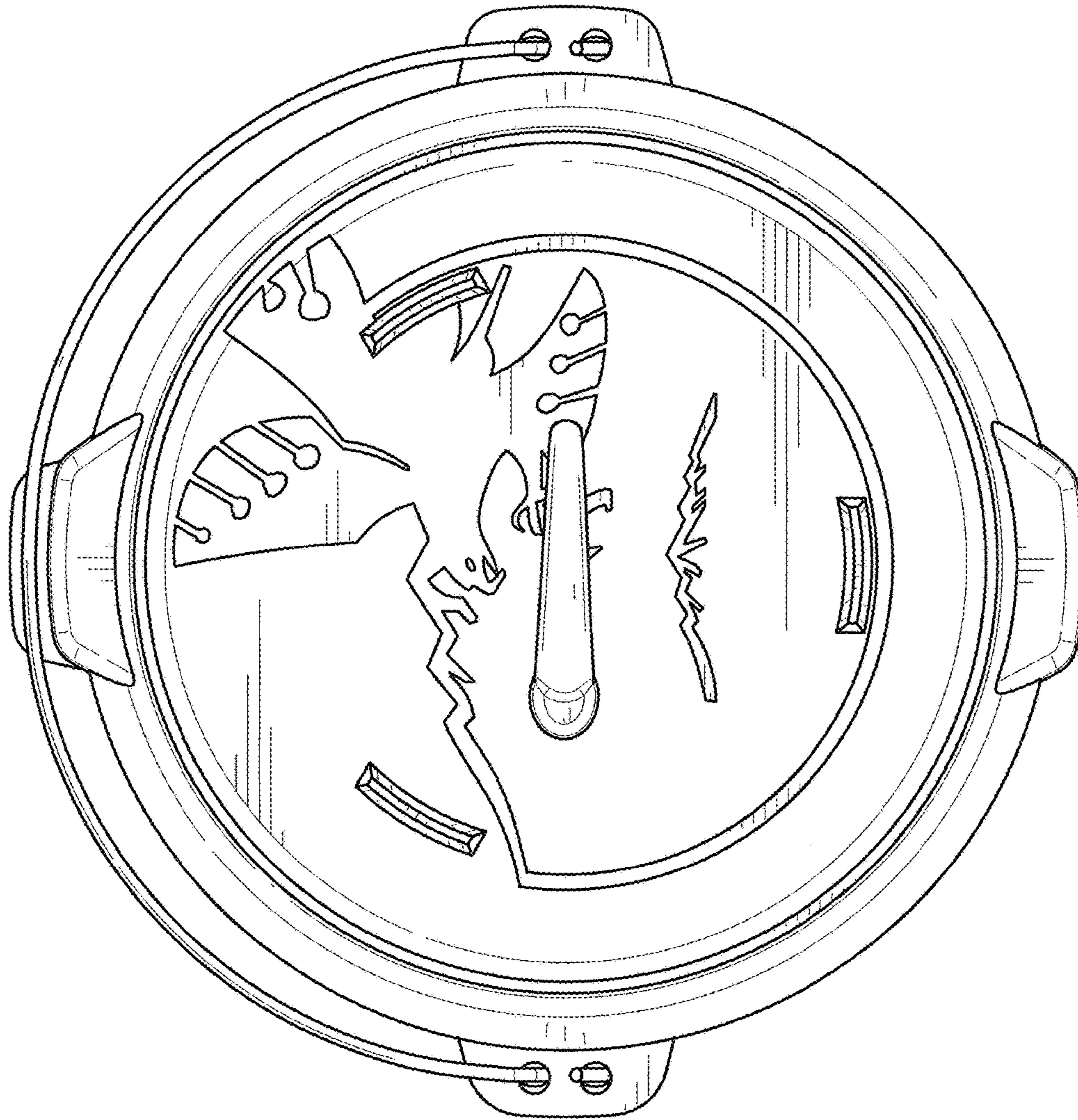


FIG.6

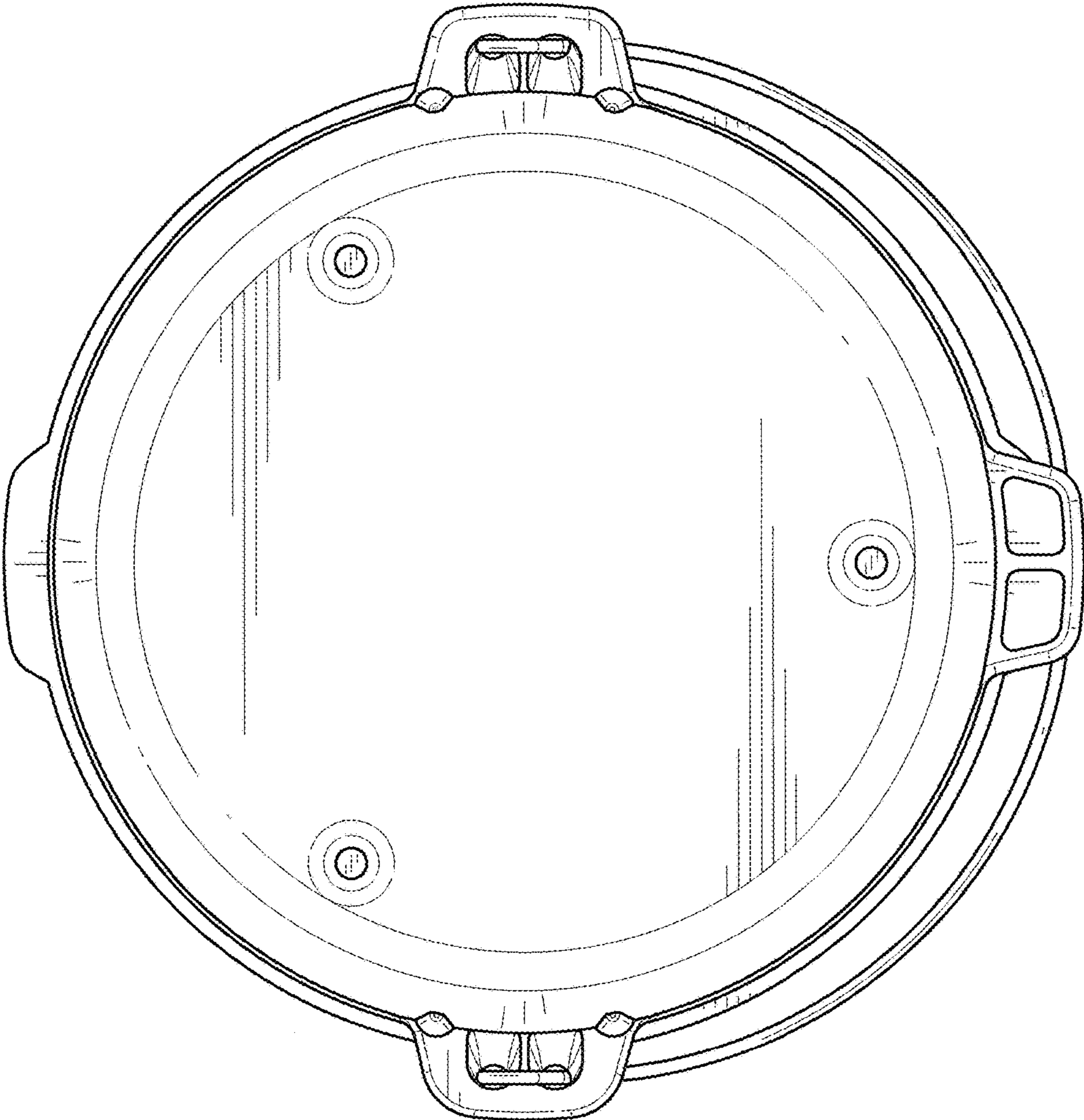


FIG. 7