



US00D906034S

(12) **United States Design Patent** (10) **Patent No.:** **US D906,034 S**
Gort-Barten et al. (45) **Date of Patent:** **** Dec. 29, 2020**

(54) **TOASTER**

(56) **References Cited**

(71) Applicants: **Leslie Alexander Gort-Barten,**
Crawley (GB); **Alex Gort-Barten,**
Crawley (GB)

U.S. PATENT DOCUMENTS

(72) Inventors: **Leslie Alexander Gort-Barten,**
Crawley (GB); **Alex Gort-Barten,**
Crawley (GB)

| | | | | | | |
|----------|---|---|---------|-------------|-------|--------|
| D510,676 | S | * | 10/2005 | Picozza | | D7/330 |
| D590,200 | S | * | 4/2009 | Mullen | | D7/330 |
| D686,866 | S | * | 7/2013 | De'Longhi | | D7/330 |
| D707,071 | S | * | 6/2014 | Gort-Barten | | D7/330 |
| D722,808 | S | * | 2/2015 | Zimmermann | | D7/330 |
| D724,885 | S | * | 3/2015 | Kunz | | D7/330 |
| D746,093 | S | * | 12/2015 | Bazzicalupo | | D7/330 |
| D749,886 | S | * | 2/2016 | Prats | | D7/330 |
| D759,417 | S | * | 6/2016 | Carpenter | | D7/330 |
| D765,456 | S | * | 9/2016 | Lee | | D7/330 |
| D823,631 | S | * | 7/2018 | Gort-Barten | | D7/330 |
| D876,872 | S | * | 3/2020 | Bazzicalupo | | D7/330 |

(**) Term: **15 Years**

(21) Appl. No.: **29/679,576**

(22) Filed: **Feb. 7, 2019**

* cited by examiner

Related U.S. Application Data

(62) Division of application No. 35/504,365, filed on Aug. 1, 2017 (U.S. filing date under 35 U.S.C. 384), and having an international filing date of Aug. 1, 2017, now Pat. No. Des. 883,728.

Primary Examiner — Richard E Chilcot

(74) *Attorney, Agent, or Firm* — Stites & Harbison, PLLC; David W. Nagle, Jr.; James R. Hayne

(30) **Foreign Application Priority Data**

Feb. 3, 2017 (EM) 003738228

(51) **LOC (12) Cl.** **07-02**

(52) **U.S. Cl.**
USPC **D7/330**
CPC **A47J 37/00** (2013.01)

(58) **Field of Classification Search**
USPC D7/323, 328–330, 390, 354; D23/323, D23/328–330, 390
CPC A47J 37/00; A47J 37/06; A47J 37/0611; A47J 37/08; A47J 37/0807; A47J 37/0814; A47J 37/0835; A47J 37/0842; A47J 37/085; A47J 37/0864; A47J 37/0878; A47J 37/0885; A47J 37/0892; A21B 2/00; F24C 15/10; F24C 15/102

See application file for complete search history.

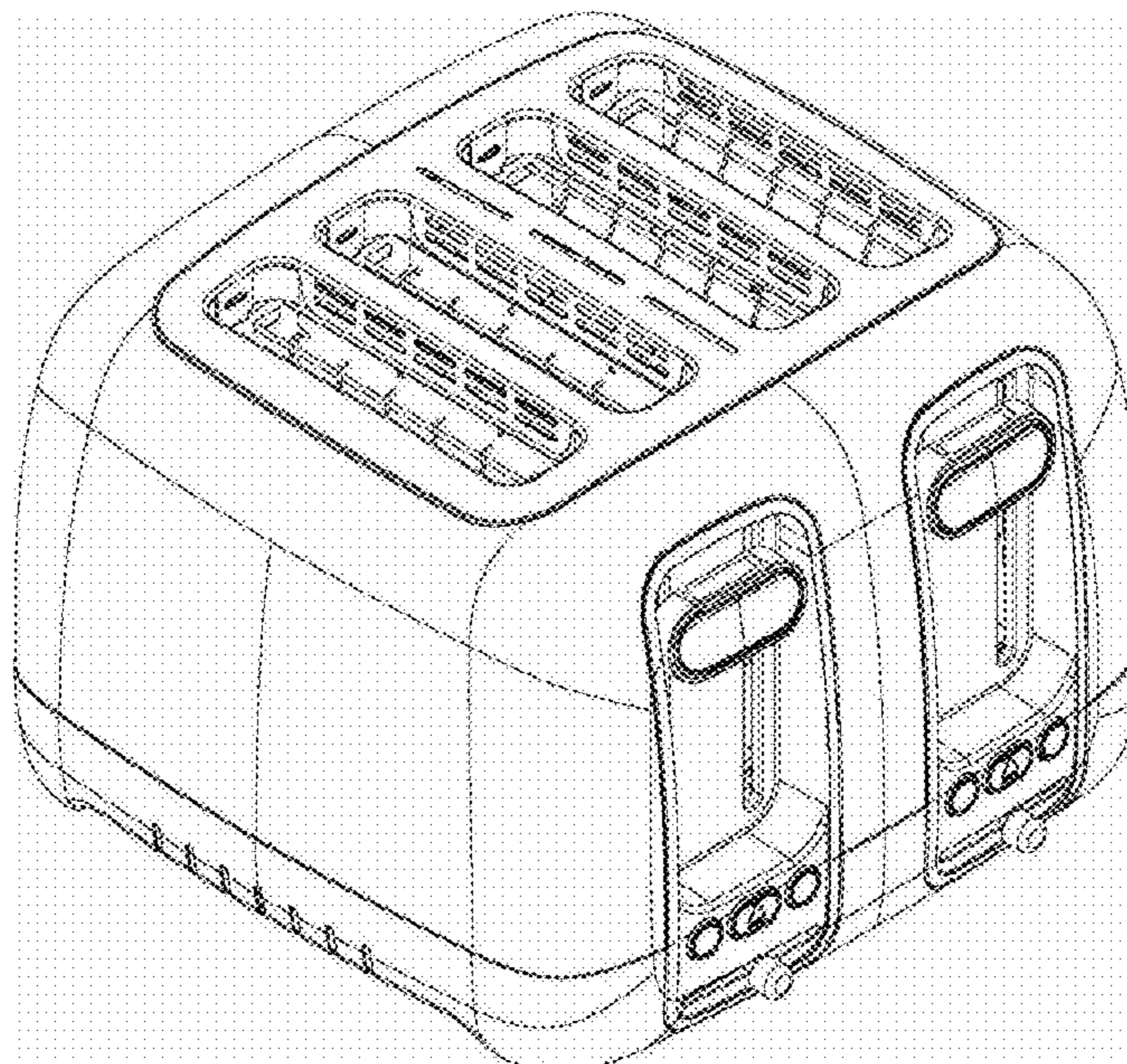
(57) **CLAIM**

The ornamental design for the toaster, as shown and described.

DESCRIPTION

FIG. 1 is a perspective view of a toaster incorporating the design of the present invention, showing the front, right side, and top surfaces of the toaster;
FIG. 2 is a right side view of the toaster of FIG. 1;
FIG. 3 is a front view of the toaster of FIG. 1;
FIG. 4 is a rear view of the toaster of FIG. 1; and,
FIG. 5 is a top view of the toaster of FIG. 1.
The left side view of the toaster is unornamented.
The bottom of the toaster is unornamented and is not visible during normal use.

1 Claim, 5 Drawing Sheets



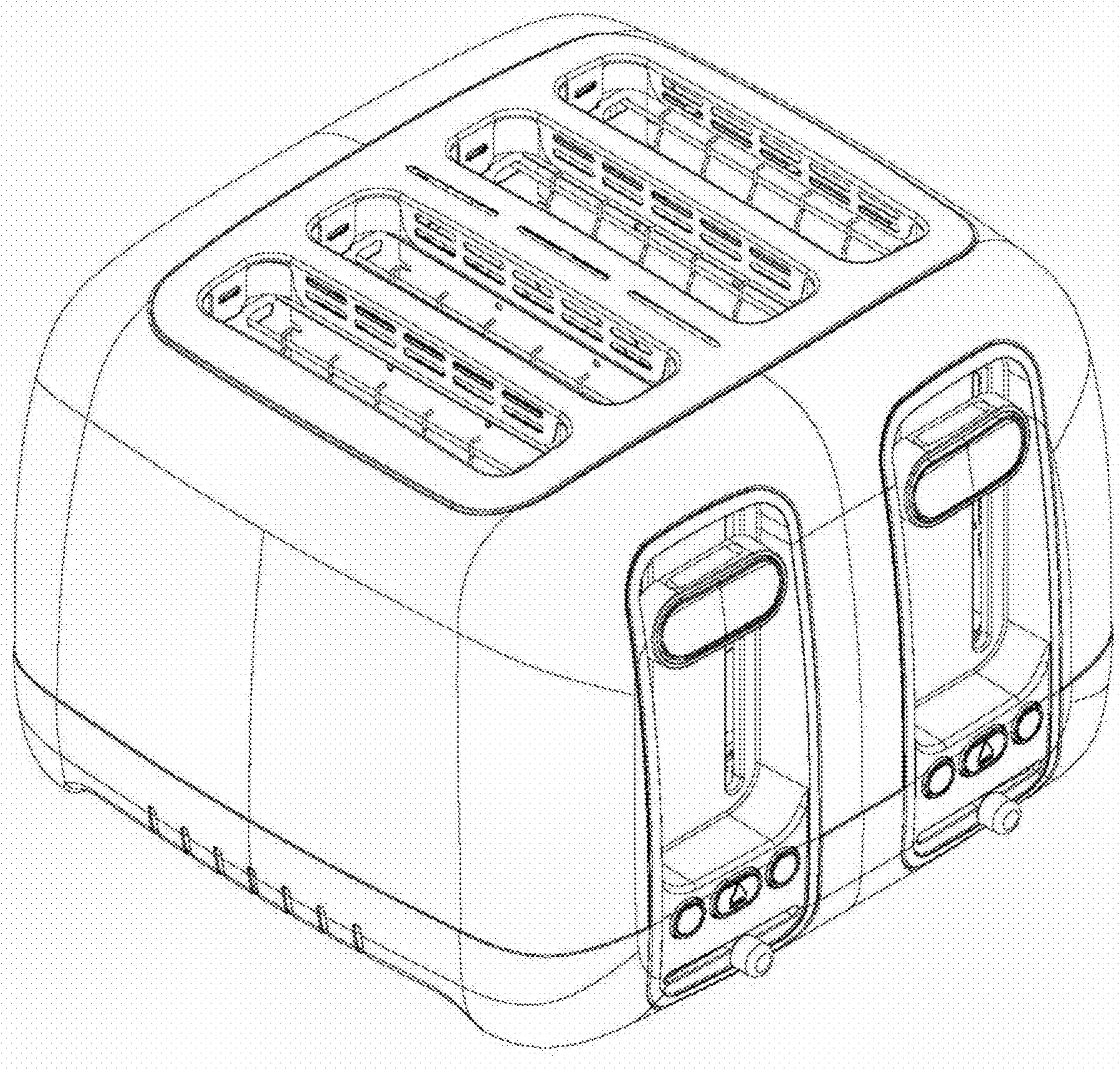


FIG. 1

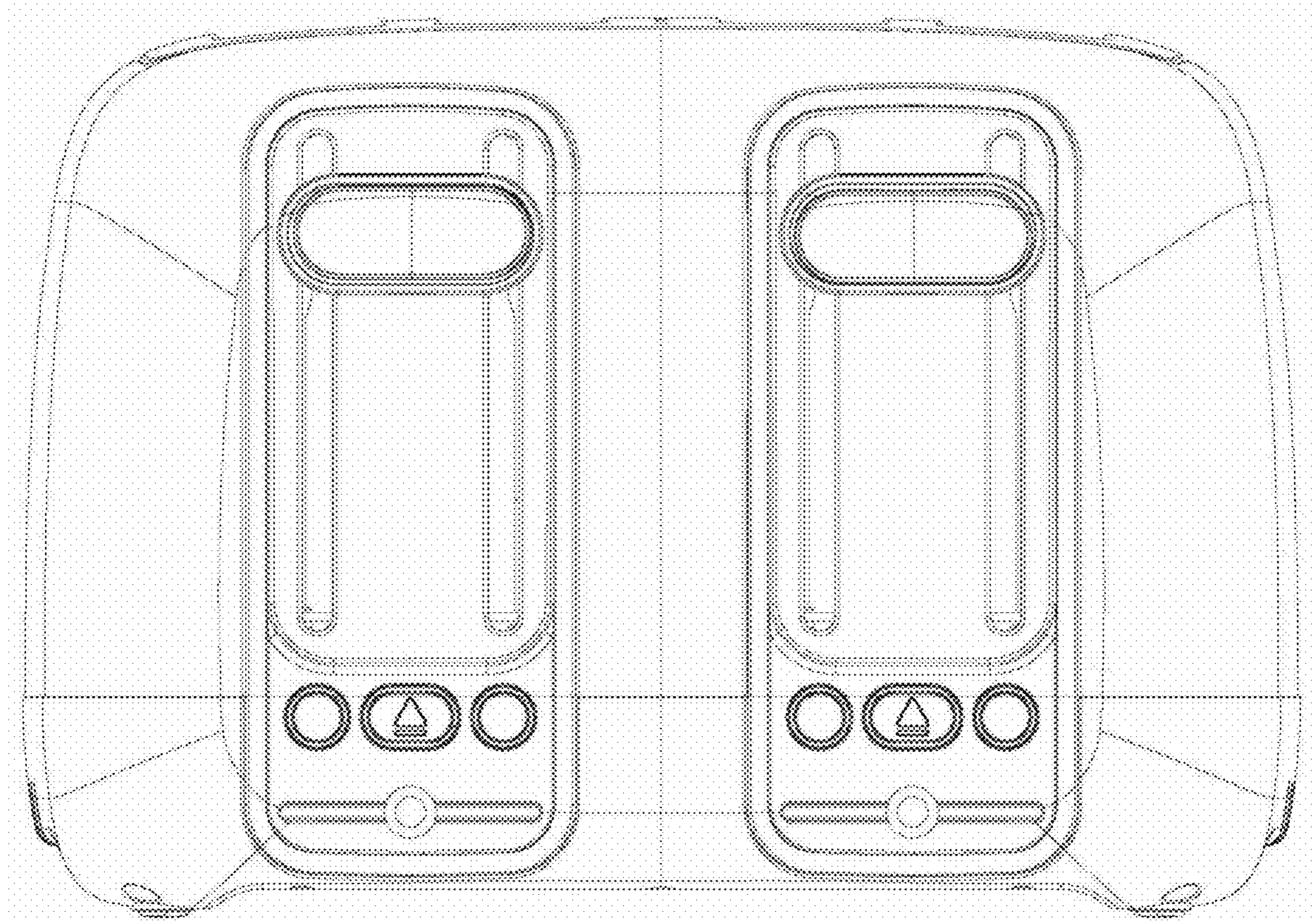


FIG. 2

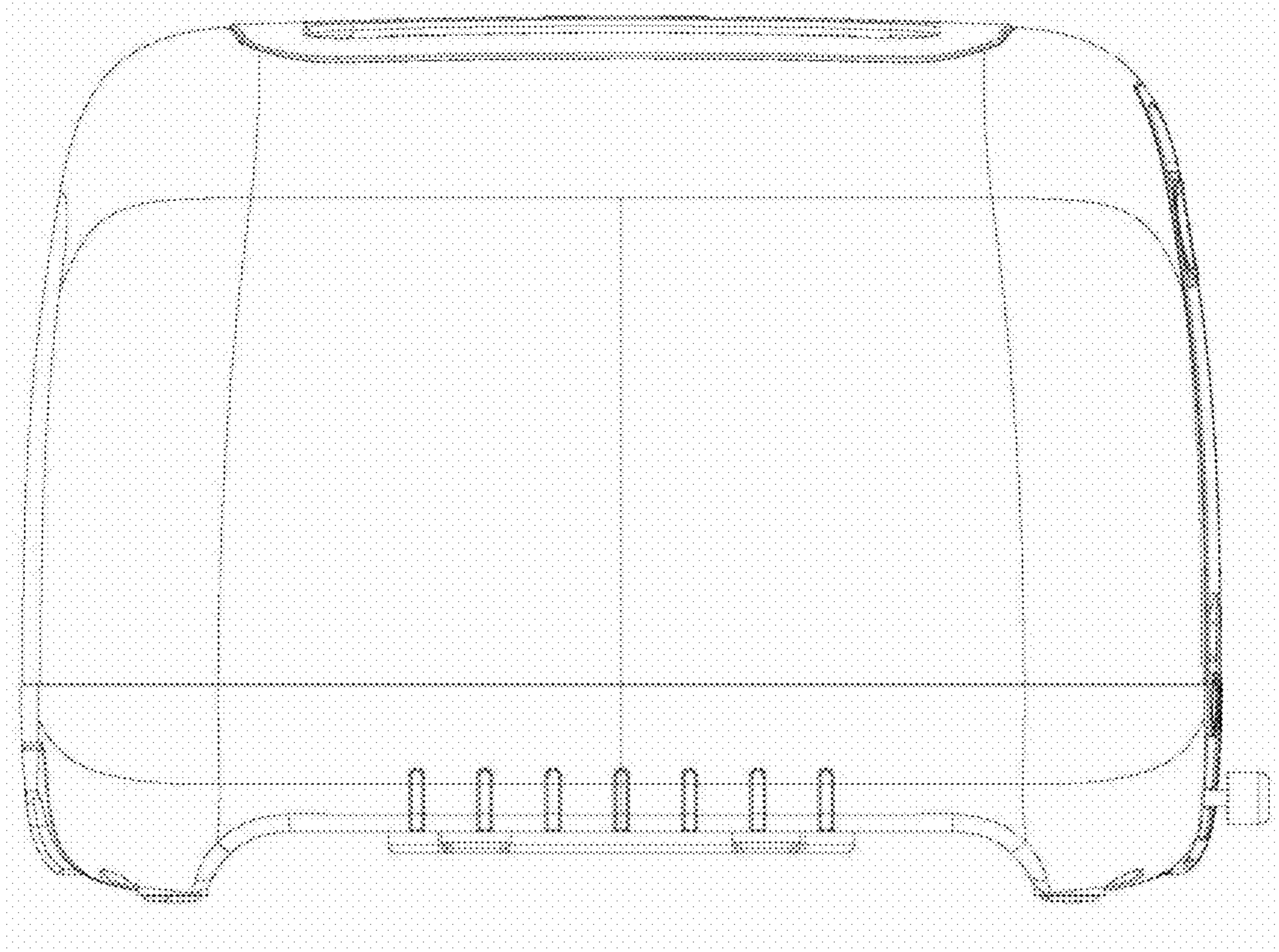


FIG. 3

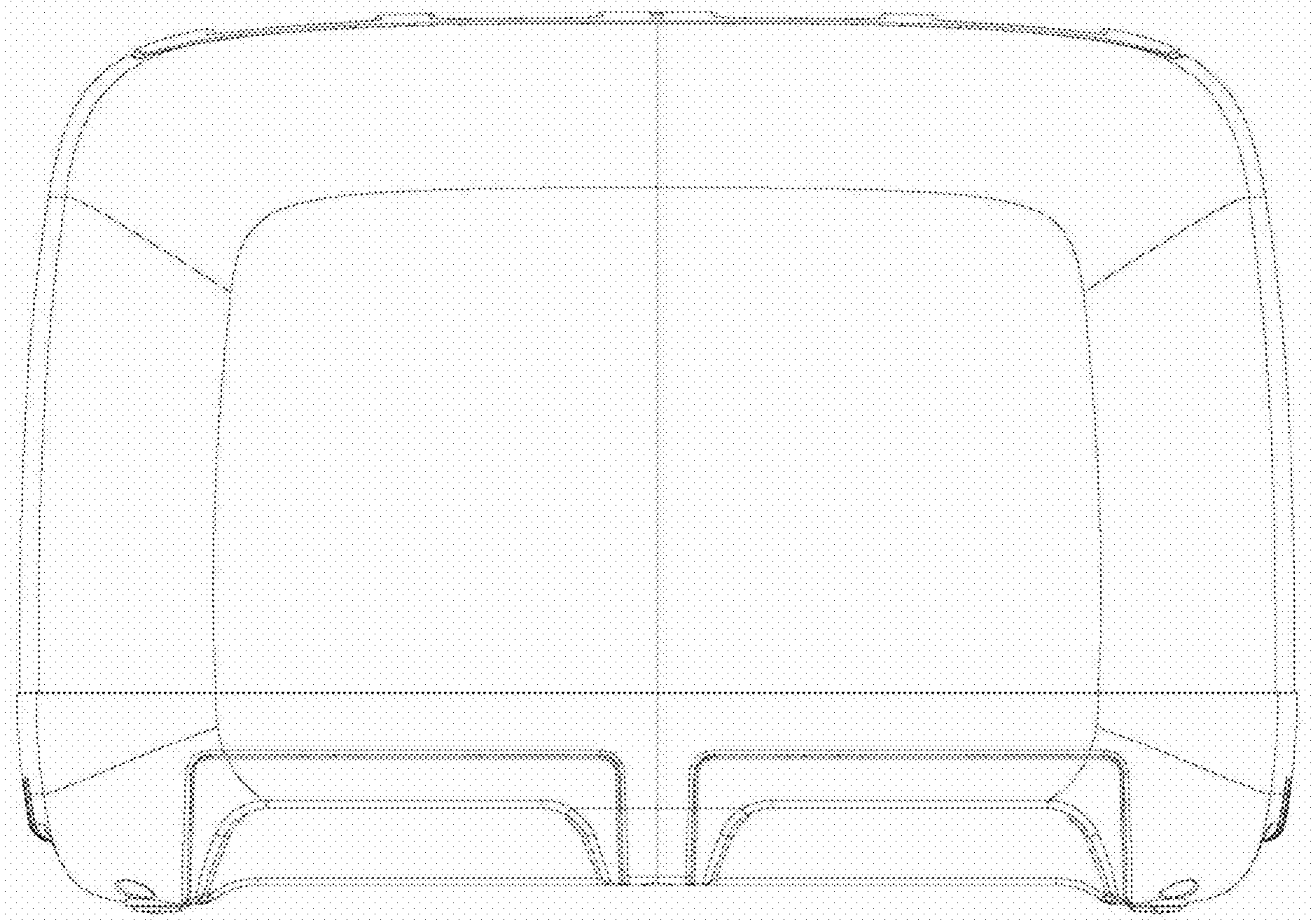


FIG. 4

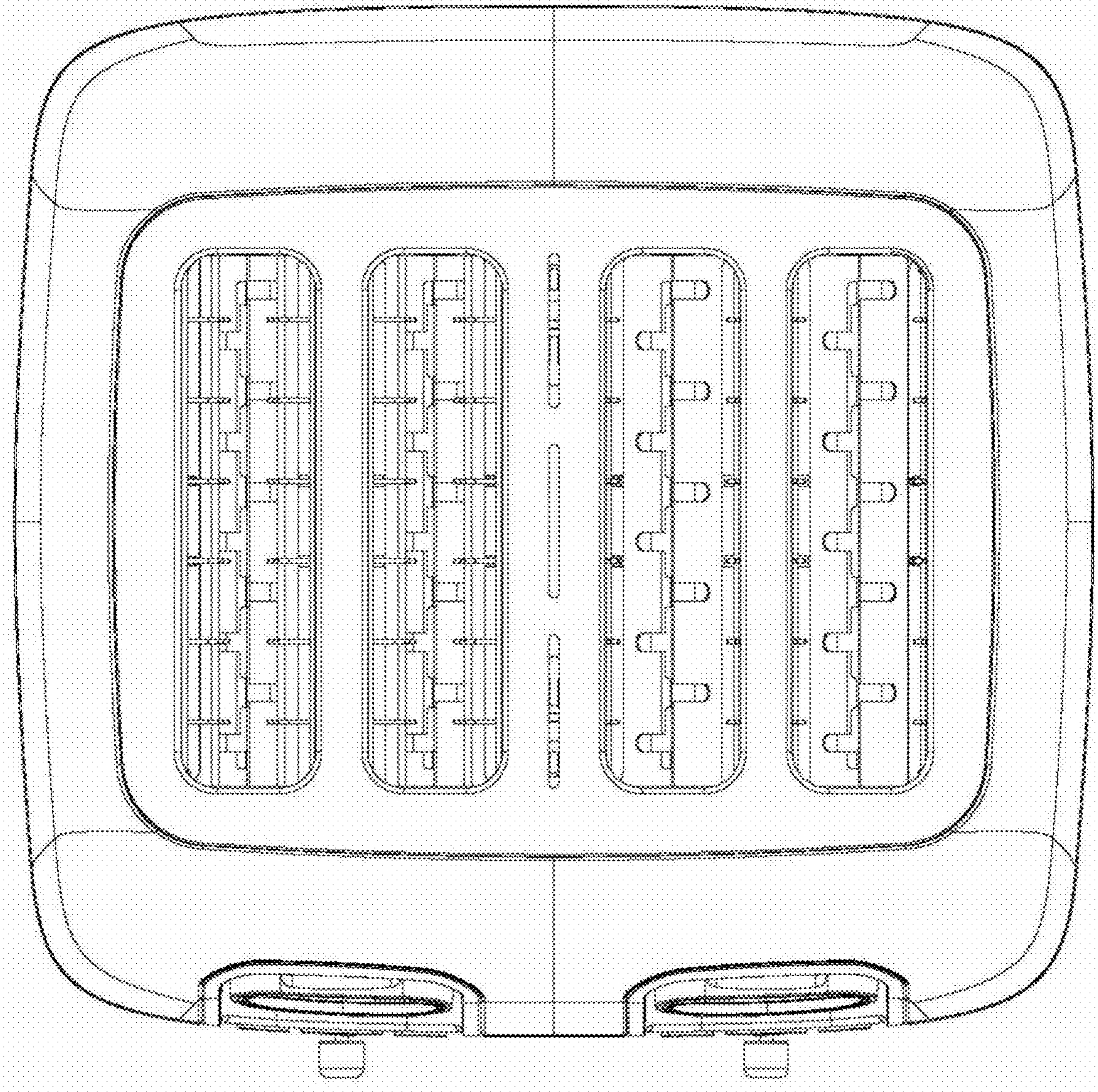


FIG. 5