



US00D906028S

(12) **United States Design Patent**
Chiao et al.

(10) **Patent No.:** **US D906,028 S**

(45) **Date of Patent:** **** Dec. 29, 2020**

(54) **WORKBENCH**

(71) Applicant: **Trinity International Industries, L.L.C.**, Carson, CA (US)

(72) Inventors: **Jerry Chiao**, Newark, CA (US);
Yuan-Luen Chuang, Shanghai (CN);
Cze-Chao Tam, Palos Verdes, CA (US)

(73) Assignee: **TRINITY INTERNATIONAL INDUSTRIES, L.L.C.**, Carson, CA (US)

(**) Term: **15 Years**

(21) Appl. No.: **29/701,002**

(22) Filed: **Aug. 7, 2019**

(51) **LOC (12) Cl.** **06-03**

(52) **U.S. Cl.**
USPC **D6/684**

(58) **Field of Classification Search**
USPC D6/657, 662, 663, 671, 671.4, 672, 684, D6/698
CPC ... B25H 1/00; B25H 1/02; B25H 1/04; B25H 3/00; B25H 3/021; B25H 3/04
See application file for complete search history.

(56) **References Cited**

U.S. PATENT DOCUMENTS

414,065	A	10/1889	Luft	
3,823,993	A	7/1974	Kakishima et al.	
D260,209	S *	8/1981	Ferdinand	D6/684
4,285,556	A	8/1981	Loeffel	
D283,263	S *	4/1986	Richey	D34/19
4,735,469	A	4/1988	Liggett	
D387,926	S *	12/1997	Blaesing	D6/671
5,951,129	A	9/1999	Stein	
D415,365	S *	10/1999	Nicklas	D6/684
5,988,779	A	11/1999	Tu et al.	
6,374,649	B1 *	4/2002	Holcomb	E05B 65/468 312/215

D466,717	S *	12/2002	Cho	D6/652.2
6,578,938	B2 *	6/2003	Norman	A47B 43/00 206/373
D479,064	S *	9/2003	Goldberg	D6/684
6,786,162	B1 *	9/2004	Volkmer	A47B 5/06 108/115
6,811,232	B2 *	11/2004	Doan	B25H 3/028 312/291

(Continued)

OTHER PUBLICATIONS

Trinity Pro 72" Stainless Steel Workbench With Pegboard, costco.com, <https://www.costco.com/trinity-pro-72%22-stainless-steel-workbench-with-pegboard.product.100464770.html> (Year: 2020).*

Primary Examiner — Steven J Cxyz

(74) *Attorney, Agent, or Firm* — Innovation Capital Law Group, LLP; Vic Lin

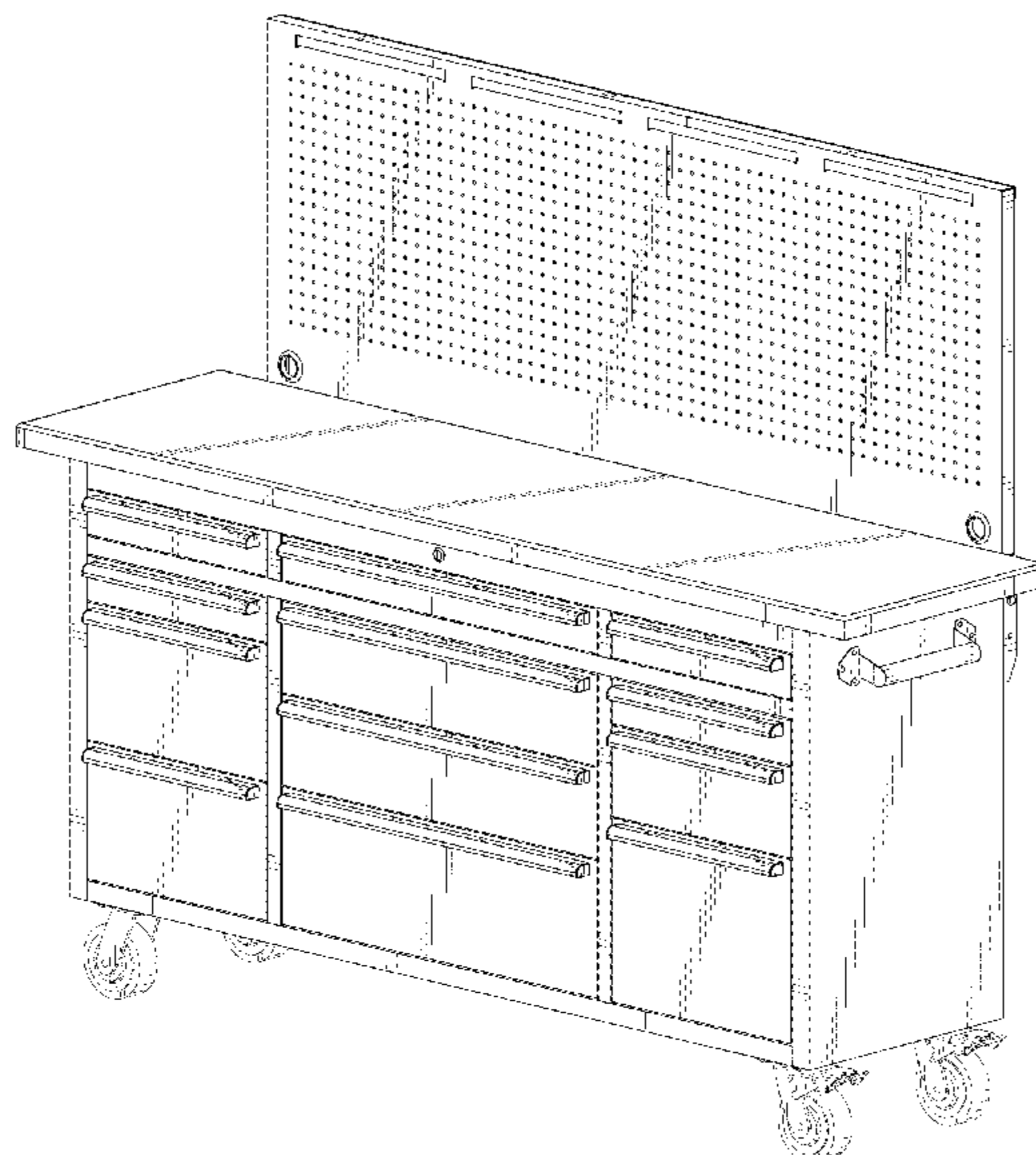
(57) **CLAIM**

The ornamental design for a workbench, as shown and described.

DESCRIPTION

FIG. 1 is a front elevation view of a workbench, showing our new design;
FIG. 2 is a rear elevation view thereof;
FIG. 3 is a left elevation view thereof;
FIG. 4 is a right elevation view thereof;
FIG. 5 is a top plan view thereof;
FIG. 6 is a bottom plan view thereof;
FIG. 7 is a front perspective view thereof;
FIG. 8 is a rear perspective view thereof;
FIG. 9 is a rear perspective view thereof with a pegboard partially rotated down; and,
FIG. 10 is a rear perspective view thereof with the pegboard fully rotated down.

1 Claim, 10 Drawing Sheets



(56)

References Cited

U.S. PATENT DOCUMENTS

7,699,413 B2 *	4/2010	Liao	B25H 3/028 312/282	D840,715 S *	2/2019	Lowenhielm	D6/553
7,715,681 B2	5/2010	Krampotich et al.			10,293,478 B2 *	5/2019	Grela	B25H 3/04
D636,615 S *	4/2011	Grela	D34/20	D868,508 S *	12/2019	Sprong et al.	D6/671
8,033,620 B2 *	10/2011	Retchloff	B25H 3/04 312/312	D881,613 S *	4/2020	Leng	D6/663
D678,701 S *	3/2013	Hansen	D6/561	10,807,229 B1 *	10/2020	Chiao	B25H 3/021
8,608,260 B2 *	12/2013	Wishlade	B25H 1/02 312/319.8	2005/0062369 A1	3/2005	Mizuno		
8,752,910 B2 *	6/2014	Lin	B25H 1/12 312/212	2006/0145574 A1 *	7/2006	Hung	B25H 3/00 312/249.11
D723,841 S *	3/2015	Troyner	D6/671.2	2006/0266432 A1 *	11/2006	Carter	B25H 1/02 144/286.1
D732,858 S *	6/2015	Troyner	D6/671.1	2008/0304803 A1	12/2008	Krampotich et al.		
9,808,930 B1 *	11/2017	Liu	B25H 1/12	2010/0026151 A1 *	2/2010	Melkumyan	B62B 3/004 312/249.11
10,113,574 B1 *	10/2018	Bileth	B25H 1/12	2012/0260833 A1 *	10/2012	Taylor	A47C 9/06 108/69
D839,028 S *	1/2019	Schooley, Jr.	D6/663	2016/0198853 A1 *	7/2016	Liu	A47B 96/18 312/317.3
					2017/0360197 A1 *	12/2017	Schooley, Jr.	A47B 88/483
					2019/0264719 A1 *	8/2019	Graben	A47B 31/00

* cited by examiner

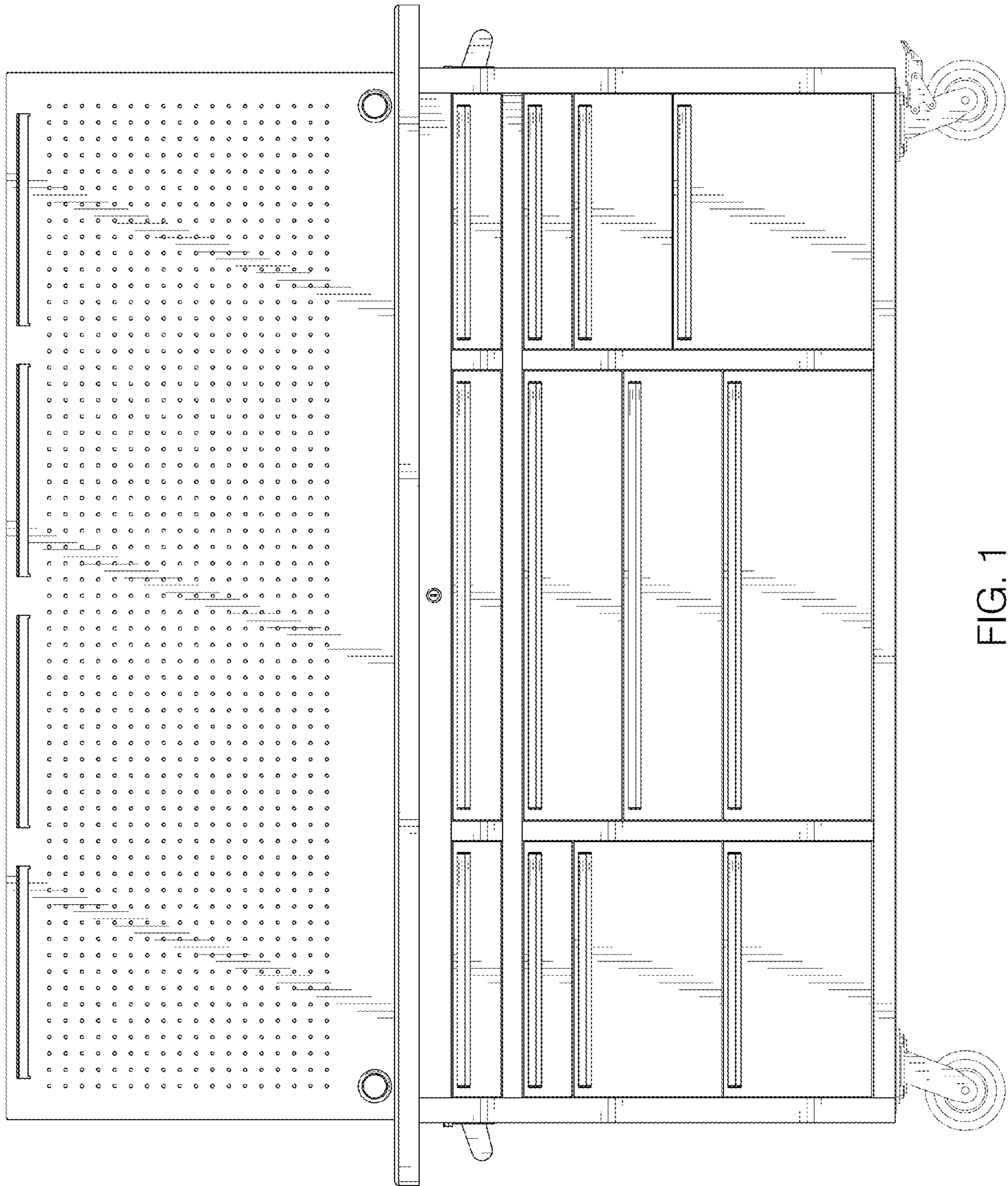


FIG. 1

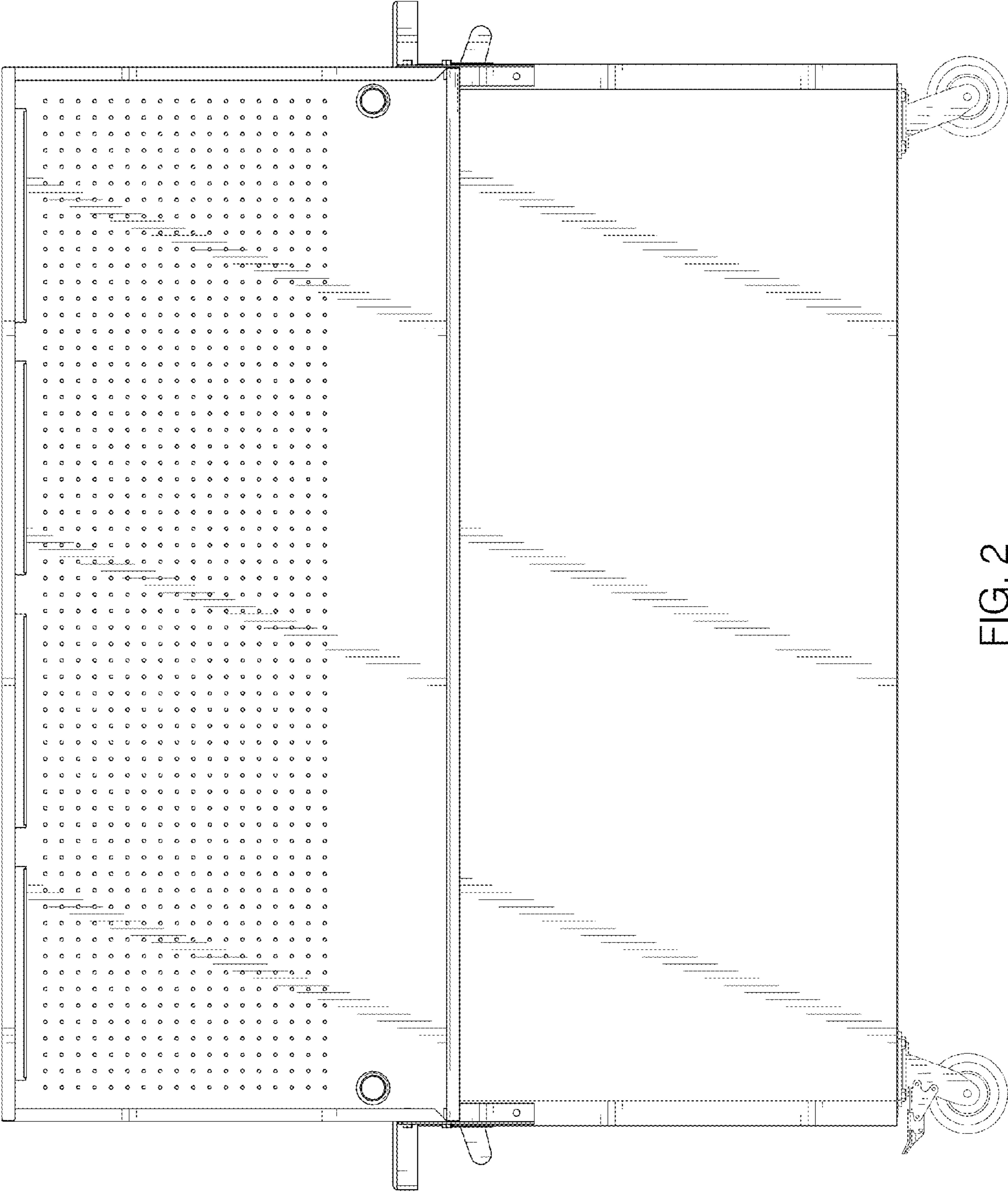


FIG. 2

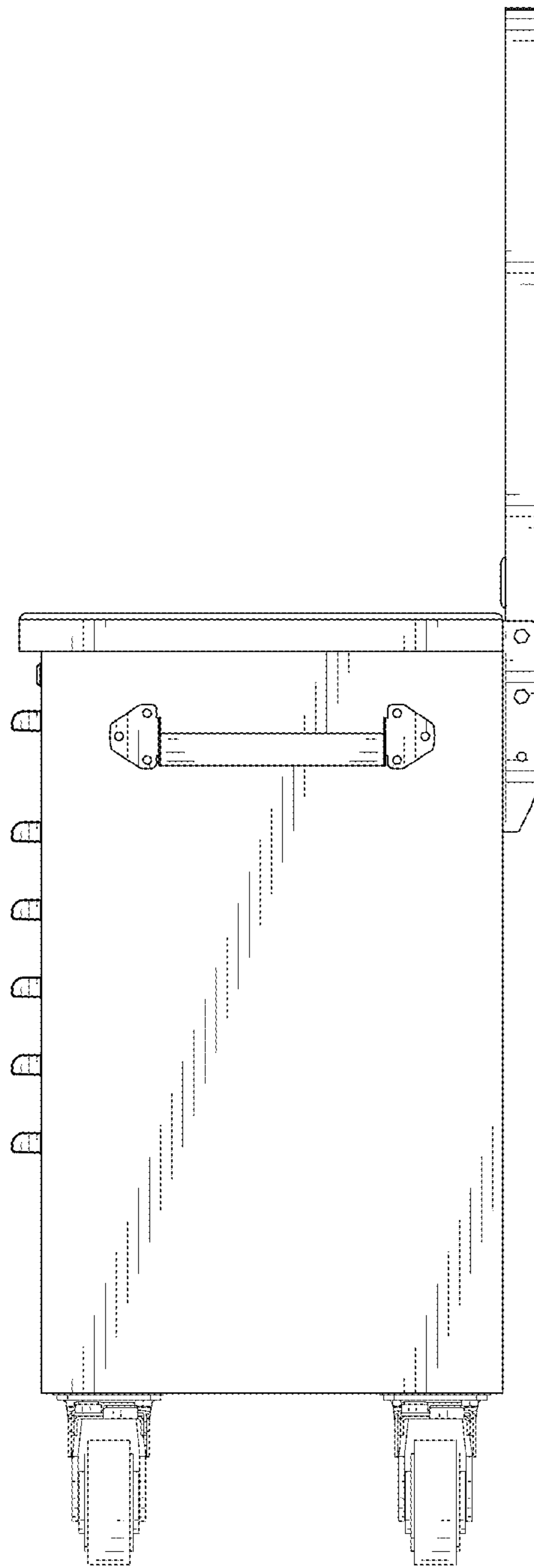


FIG. 3

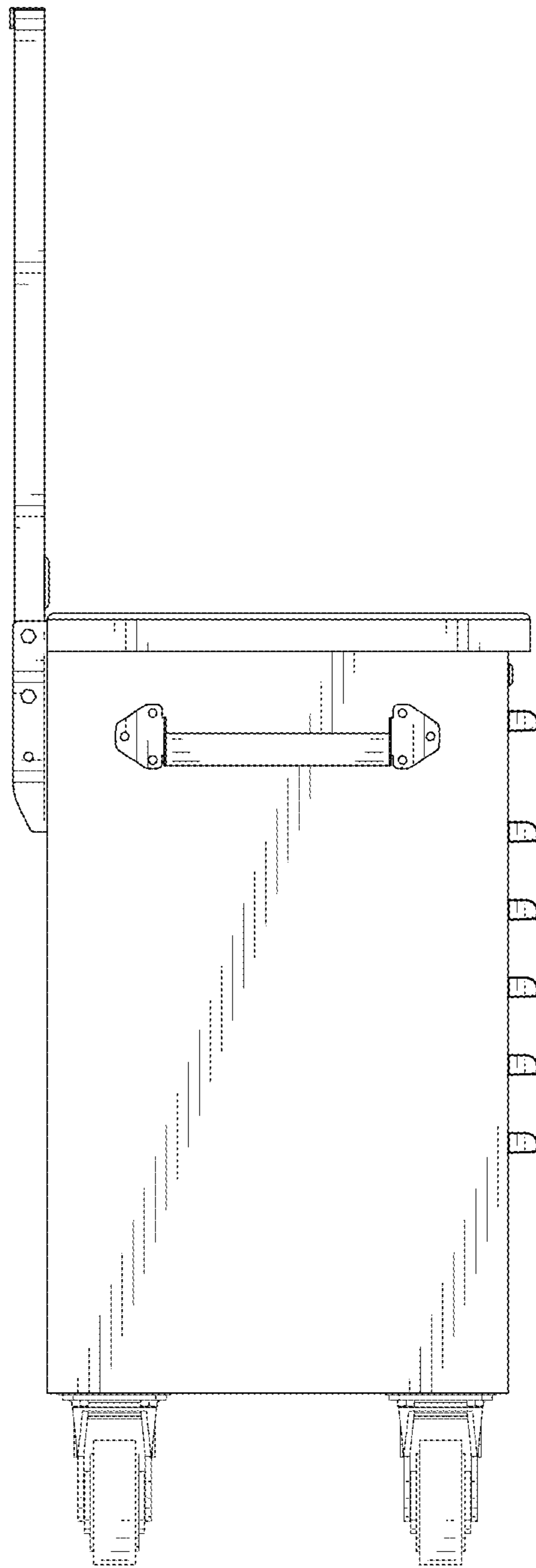


FIG. 4

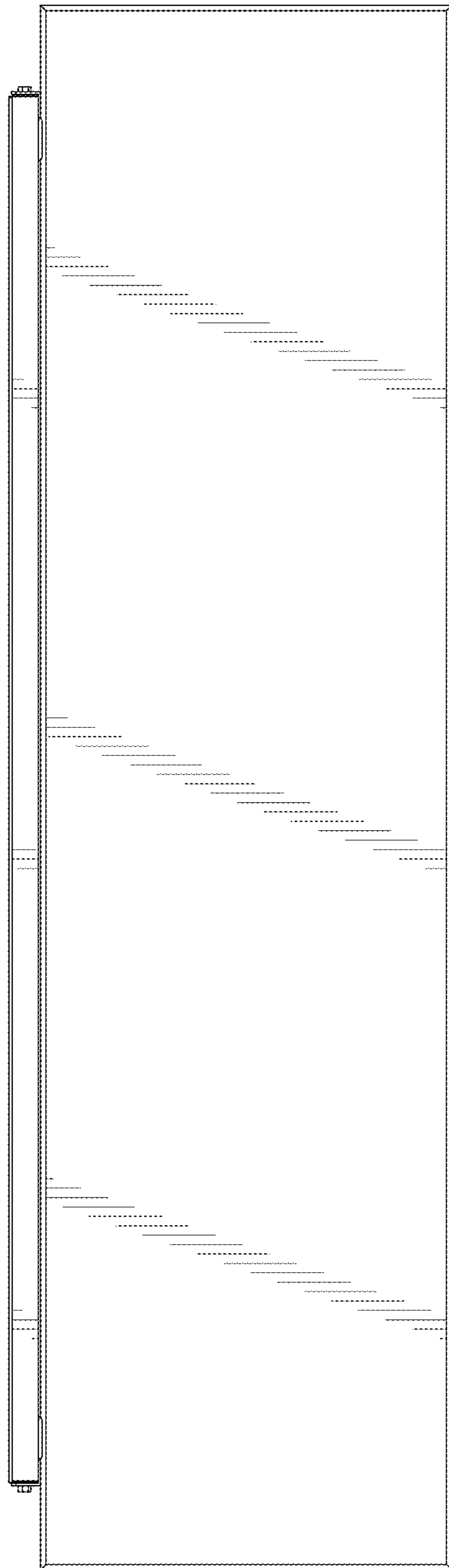


FIG. 5

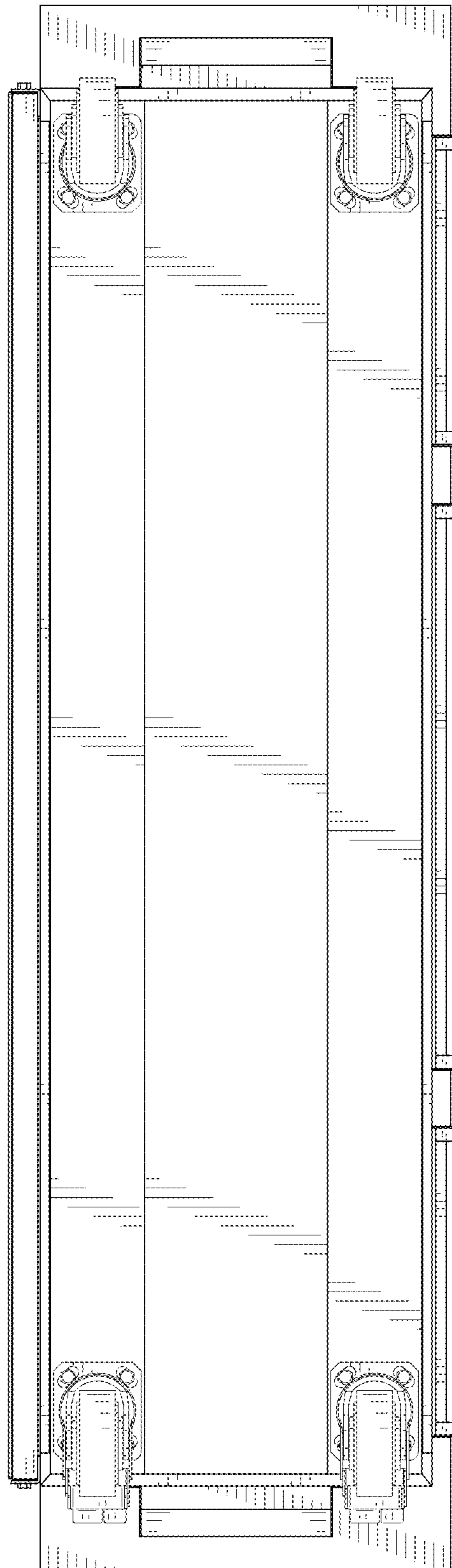


FIG. 6



FIG. 7

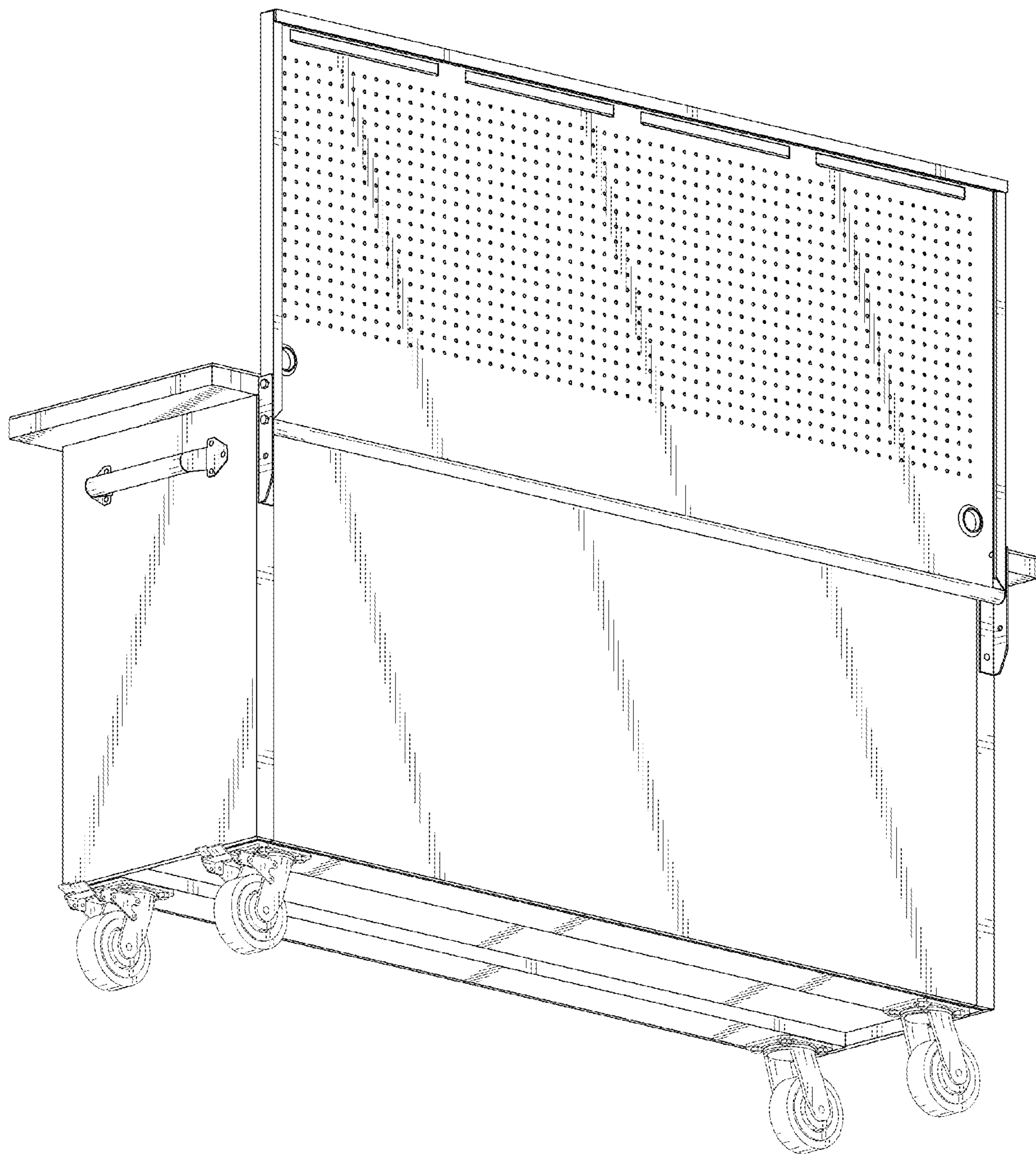


FIG. 8

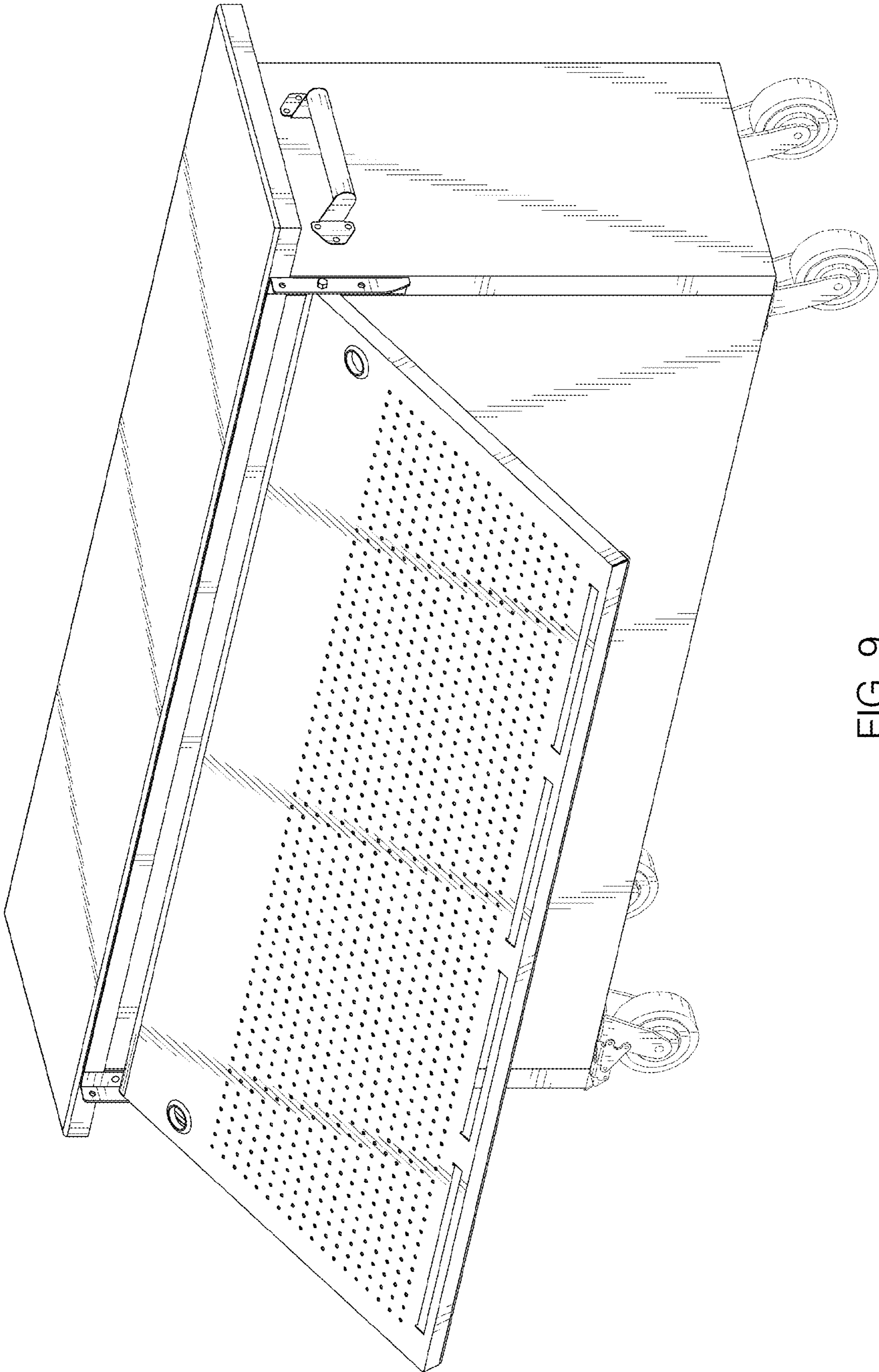


FIG. 9

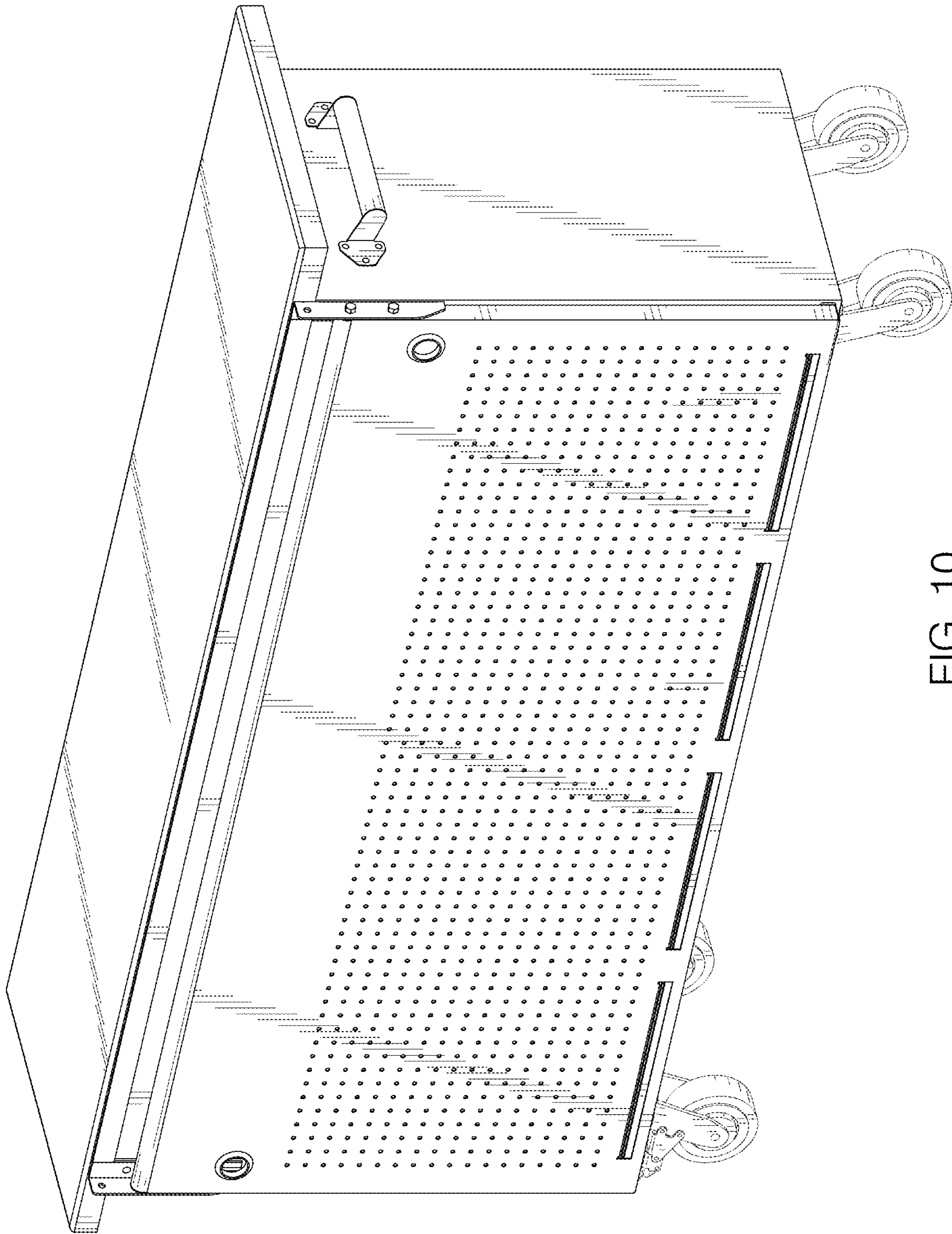


FIG. 10