



US00D906022S

(12) **United States Design Patent**
Yang

(10) **Patent No.:** **US D906,022 S**
(45) **Date of Patent:** **** Dec. 29, 2020**

(54) **ASSEMBLED MODULAR CLOSET CABINET**

(71) Applicant: **Zongyi Yang**, Wenzhou (CN)

(72) Inventor: **Zongyi Yang**, Wenzhou (CN)

(**) Term: **15 Years**

(21) Appl. No.: **29/706,893**

(22) Filed: **Sep. 24, 2019**

(51) **LOC (12) Cl.** **06-04**

(52) **U.S. Cl.**
USPC **D6/671.1; D6/671; D34/19**

(58) **Field of Classification Search**
USPC D6/661, 663, 668, 668.1, 668.2, 671,
D6/671.1, 672, 675, 682.1; D34/19, 25
CPC ... A47B 47/00; A47B 47/0091; A47B 47/047;
A47B 47/05; A47B 87/02
See application file for complete search history.

(56) **References Cited**

U.S. PATENT DOCUMENTS

4,717,214 A *	1/1988	Moore	A47D 5/00 220/7
5,016,946 A *	5/1991	Reznikov	A47B 87/02 312/108
D418,959 S *	1/2000	Tisbo	D34/19
6,193,340 B1 *	2/2001	Schenker	A47B 47/0075 312/108
D505,031 S *	5/2005	Chen	A47B 47/0041 D34/19
D553,393 S *	10/2007	Cassel	A47B 87/0253 D6/675.1
D563,692 S *	3/2008	DeCarlo	A47D 5/00 D6/663
8,186,776 B2 *	5/2012	Zalewski	A47B 47/0041 312/111
D720,163 S *	12/2014	Burden	A47B 87/02 D6/671.1
D832,625 S *	11/2018	Chiao	D6/671

2002/0185941 A1 *	12/2002	Ferraro	A47B 87/0253 312/107
2006/0207957 A1 *	9/2006	Chen	A47B 47/0066 211/188
2007/0052330 A1 *	3/2007	Chang	A47B 87/0207 312/111

* cited by examiner

Primary Examiner — Cathron C Brooks

(74) *Attorney, Agent, or Firm* — Schwegman Lundberg & Woessner, P.A.

(57) **CLAIM**

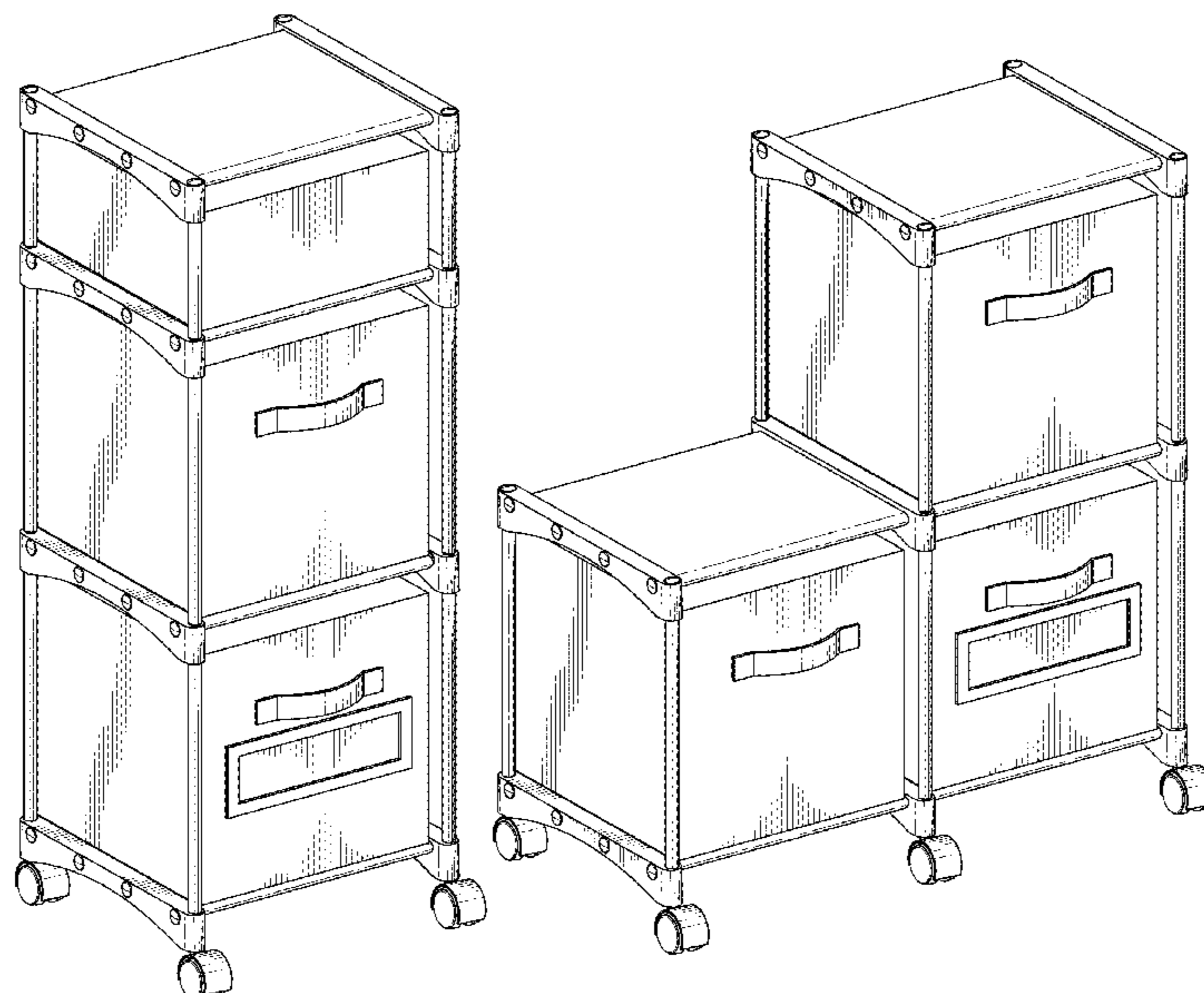
The ornamental design for an assembled modular closet cabinet, as shown and described.

DESCRIPTION

FIG. 1 is a perspective view of an assembled modular closet cabinet showing my design according to a first embodiment; FIG. 2 is a front view thereof; FIG. 3 is a rear view thereof; FIG. 4 is a left view thereof; FIG. 5 is a right view thereof; FIG. 6 is a top view thereof; and FIG. 7 is a bottom view thereof.

FIG. 8 is a perspective view of an assembled modular closet cabinet showing my new design according to a second embodiment; FIG. 9 is a front view of the assembled modular closet cabinet of FIG. 8; FIG. 10 is a rear view of the assembled modular closet cabinet of FIG. 8; FIG. 11 is a left view of the assembled modular closet cabinet of FIG. 8; FIG. 12 is a right view of the assembled modular closet cabinet of FIG. 8; FIG. 13 is a top view of the assembled modular closet cabinet of FIG. 8; and, FIG. 14 is a bottom view of the assembled modular closet cabinet of FIG. 8.

1 Claim, 11 Drawing Sheets



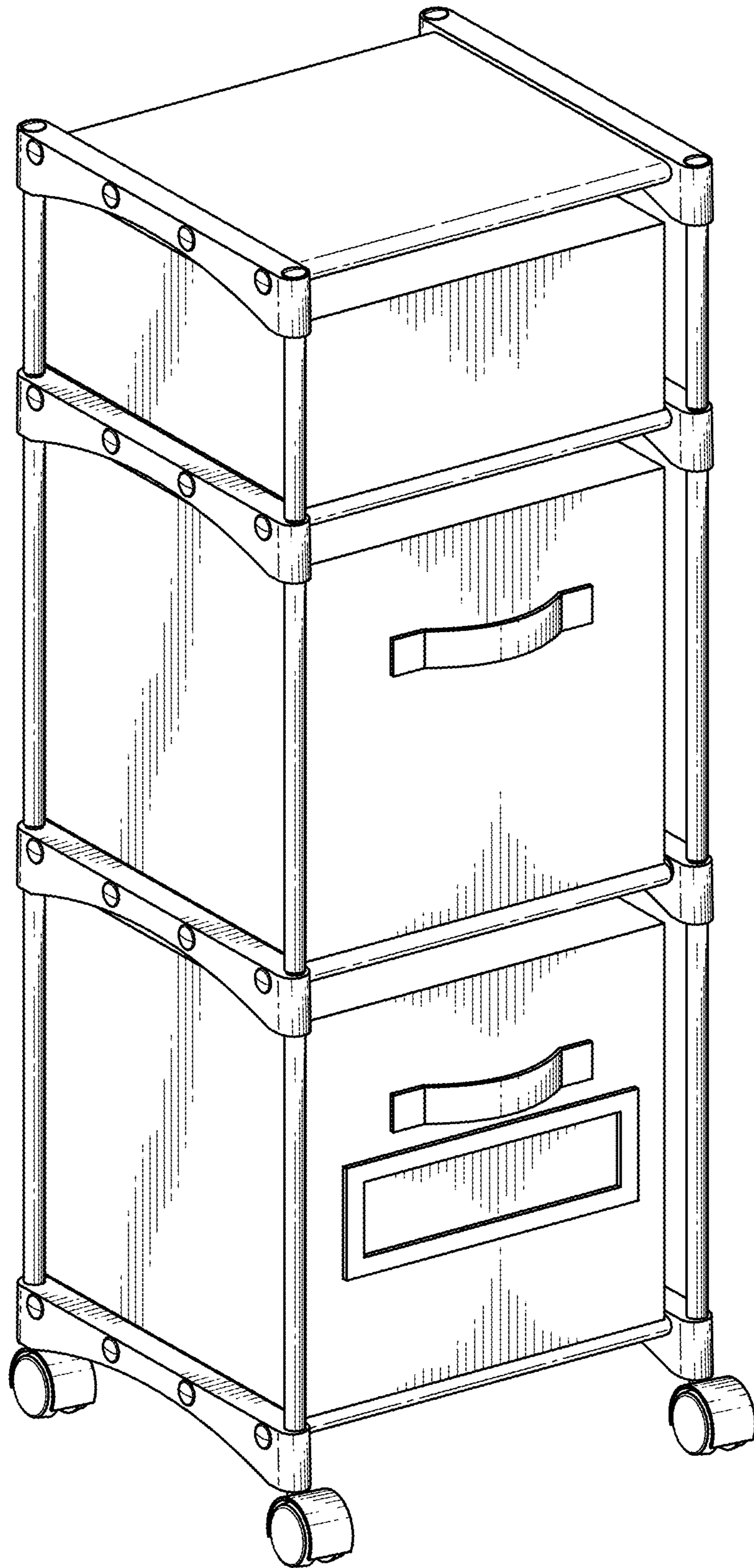


FIG. 1

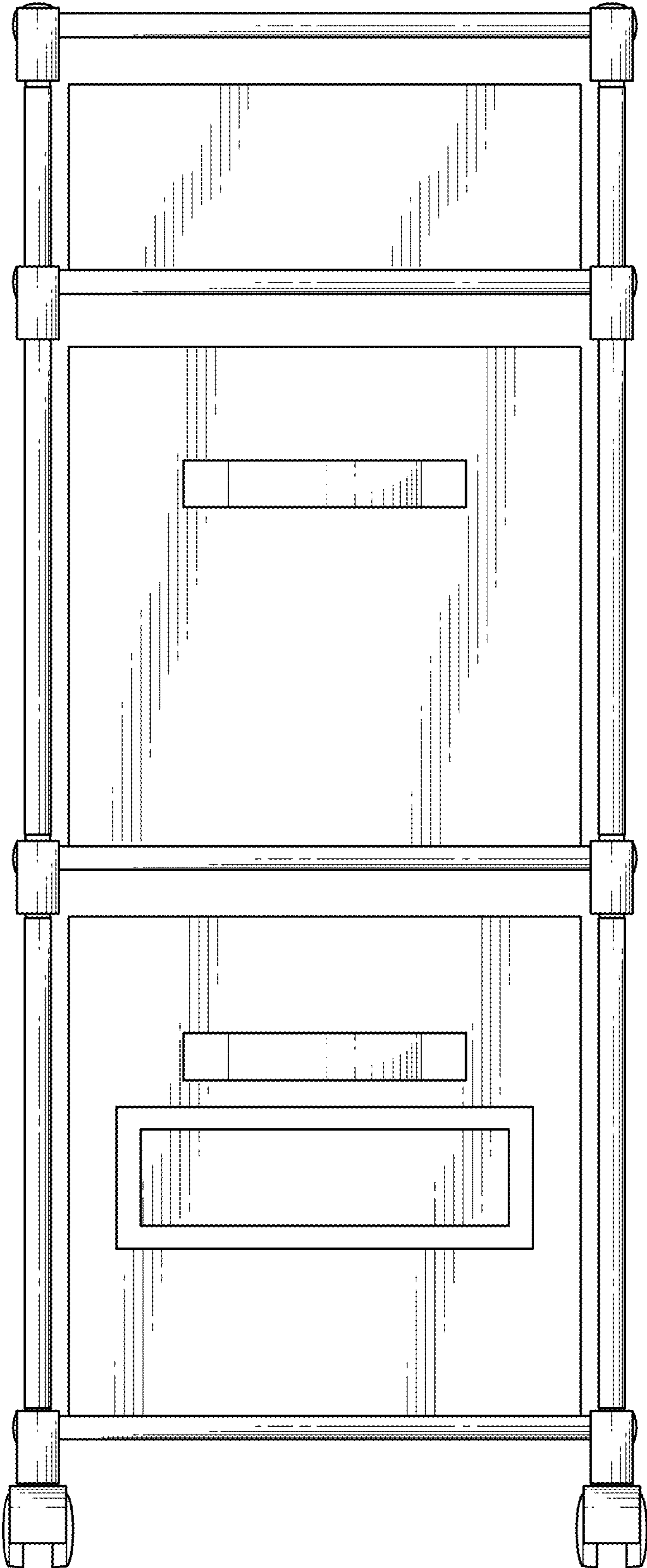


FIG. 2

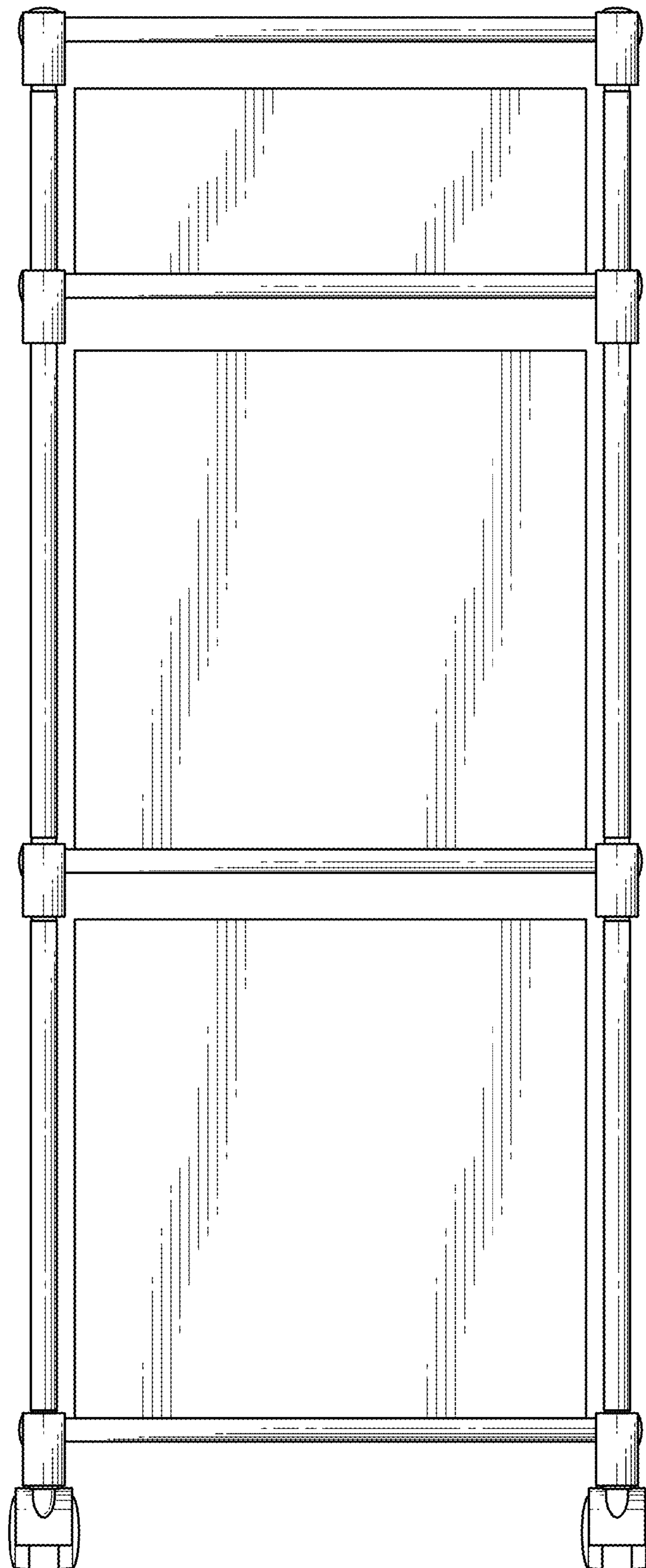


FIG. 3

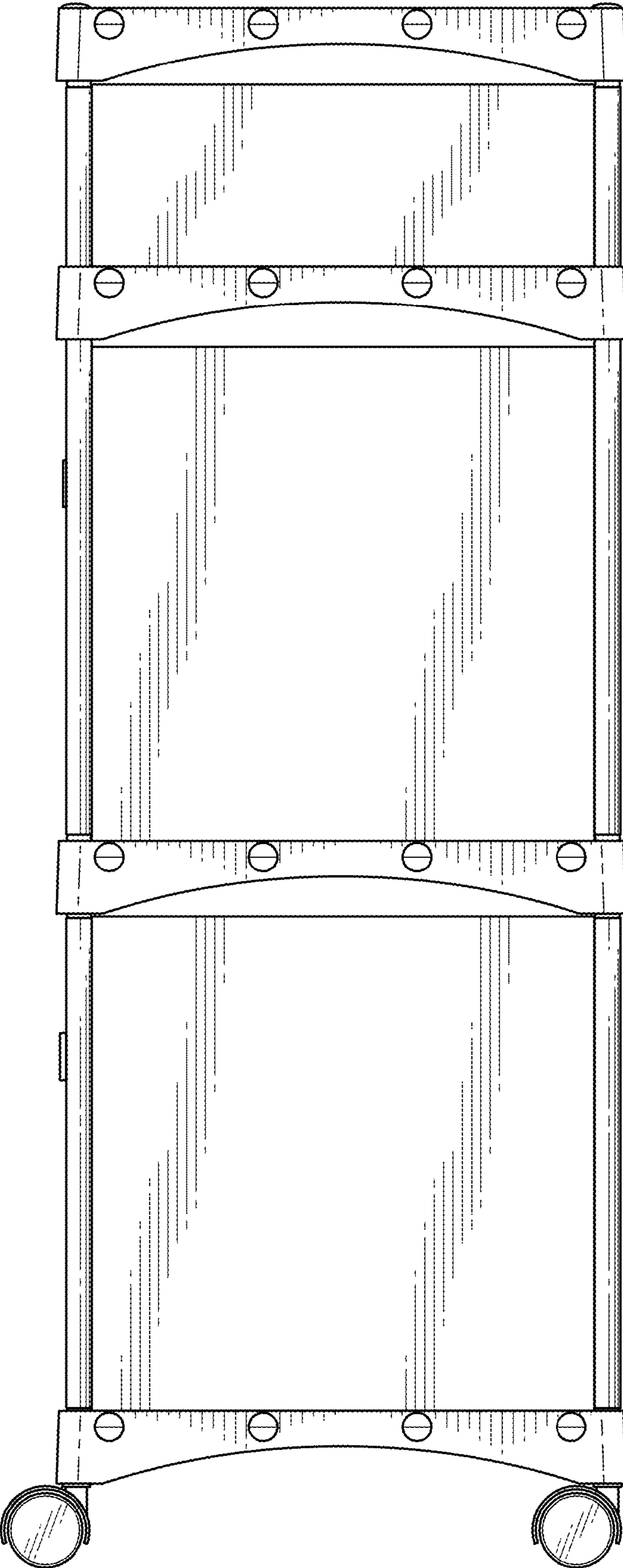


FIG. 4

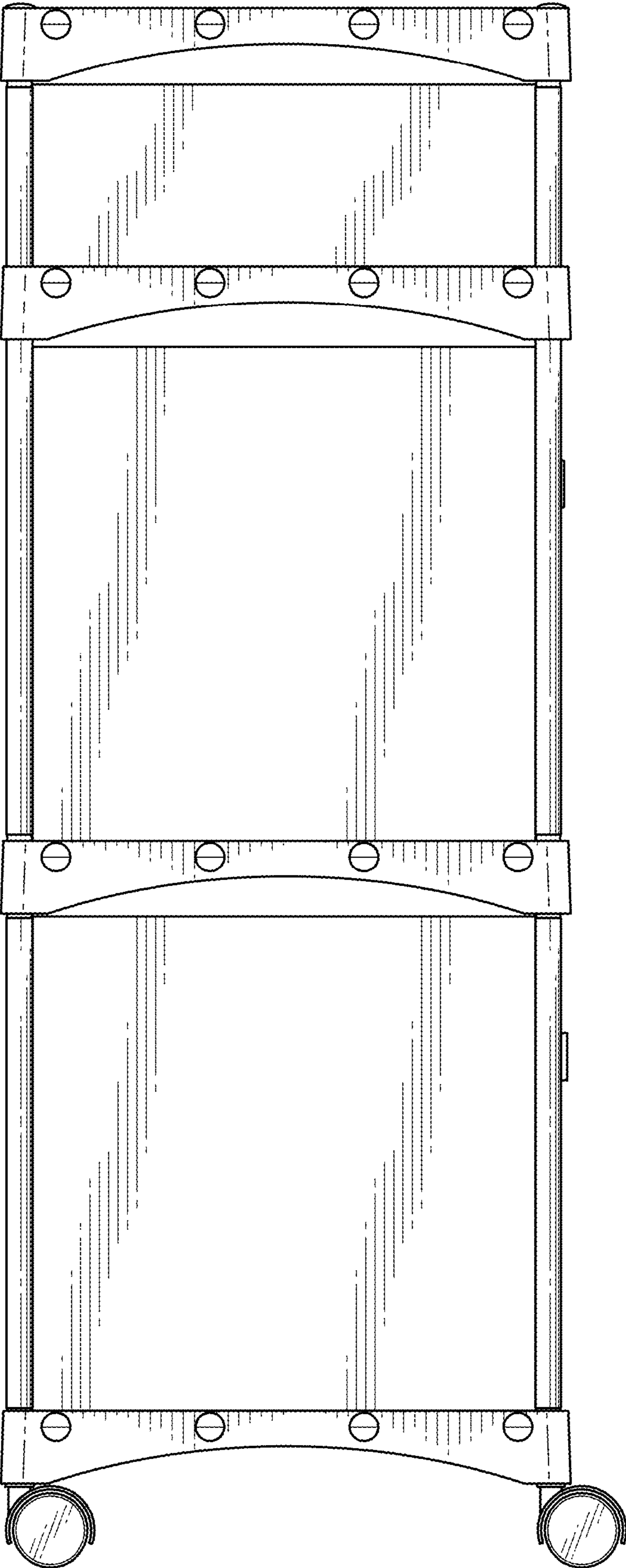


FIG. 5

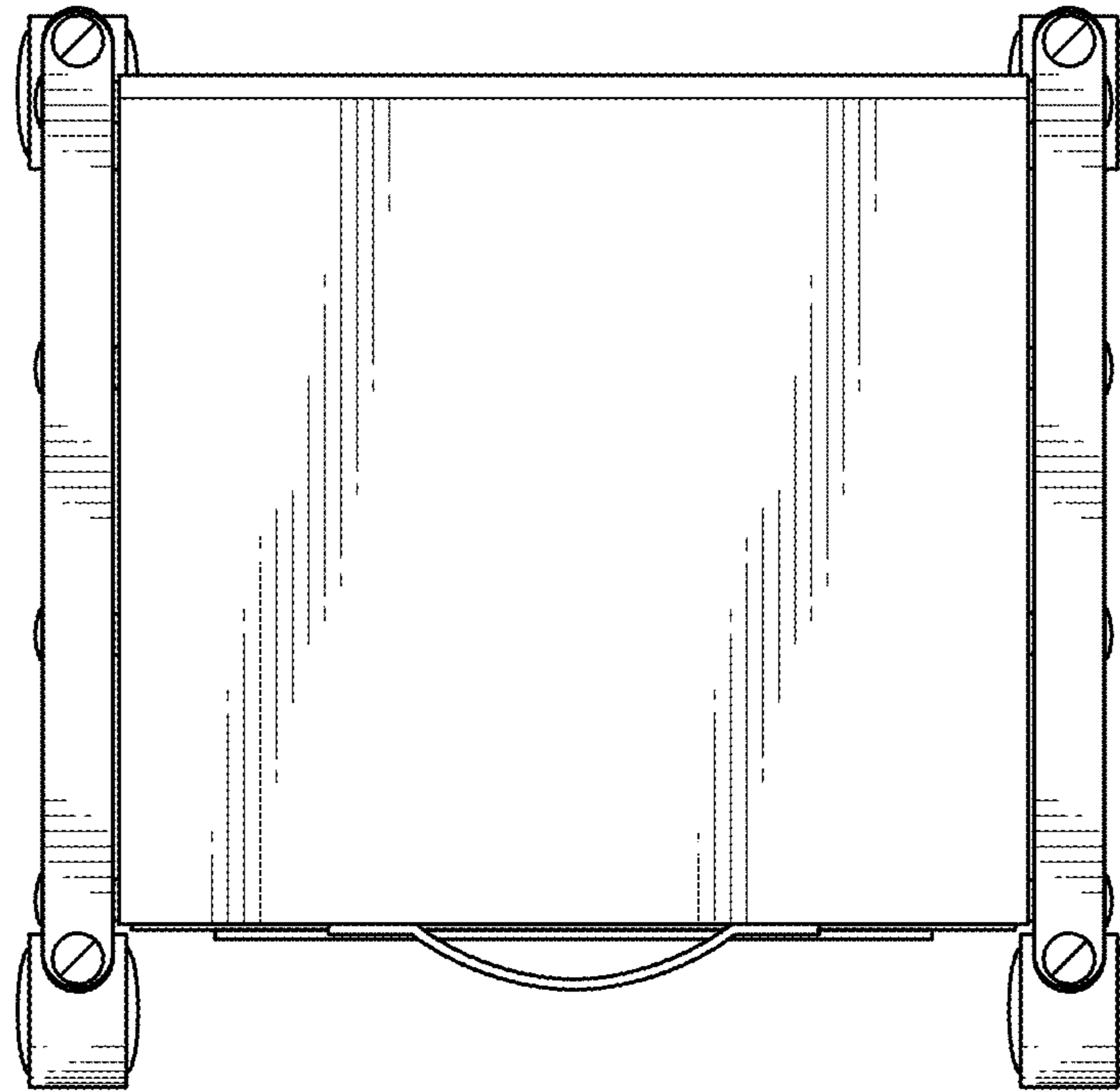


FIG. 6

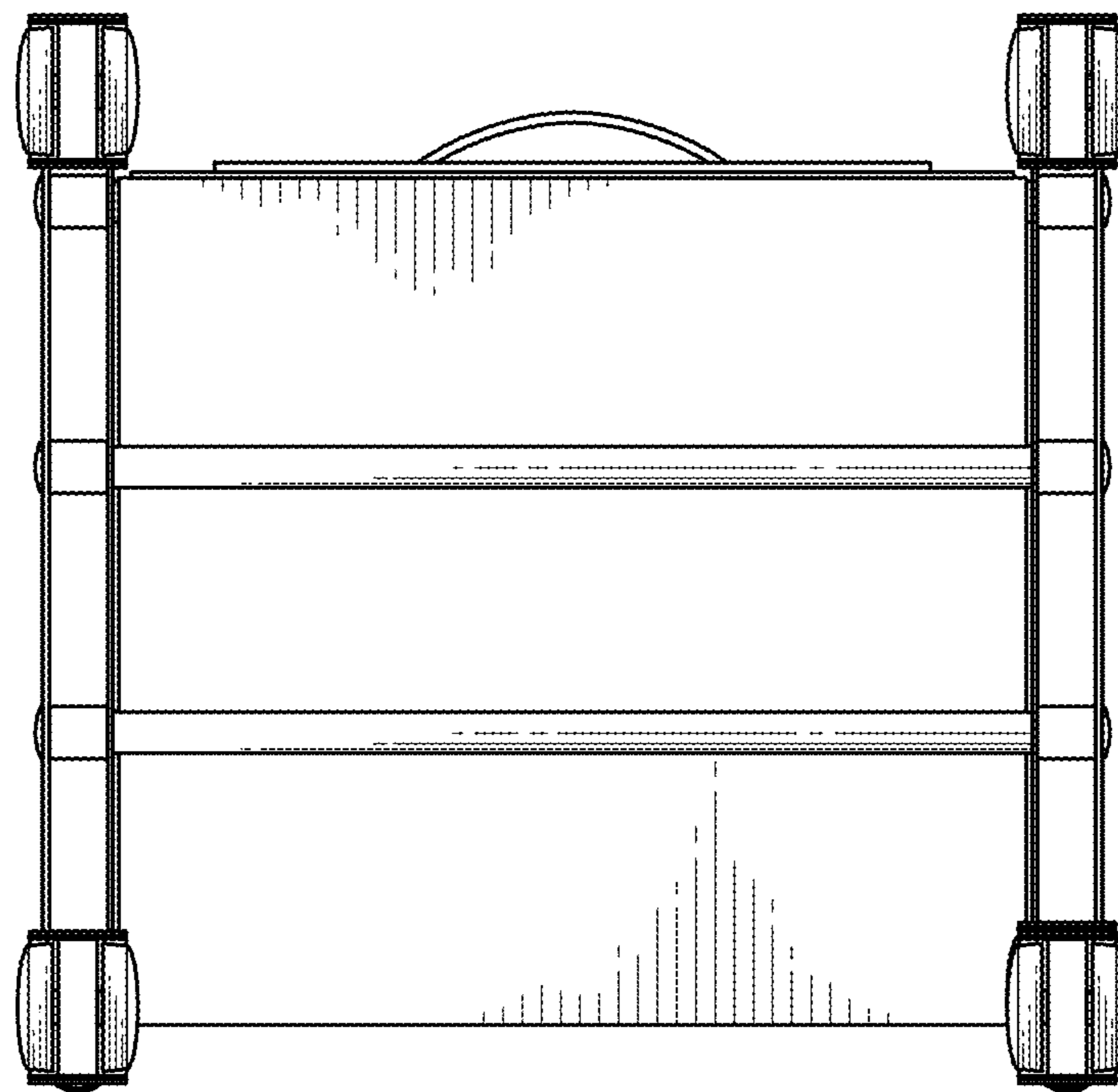


FIG. 7

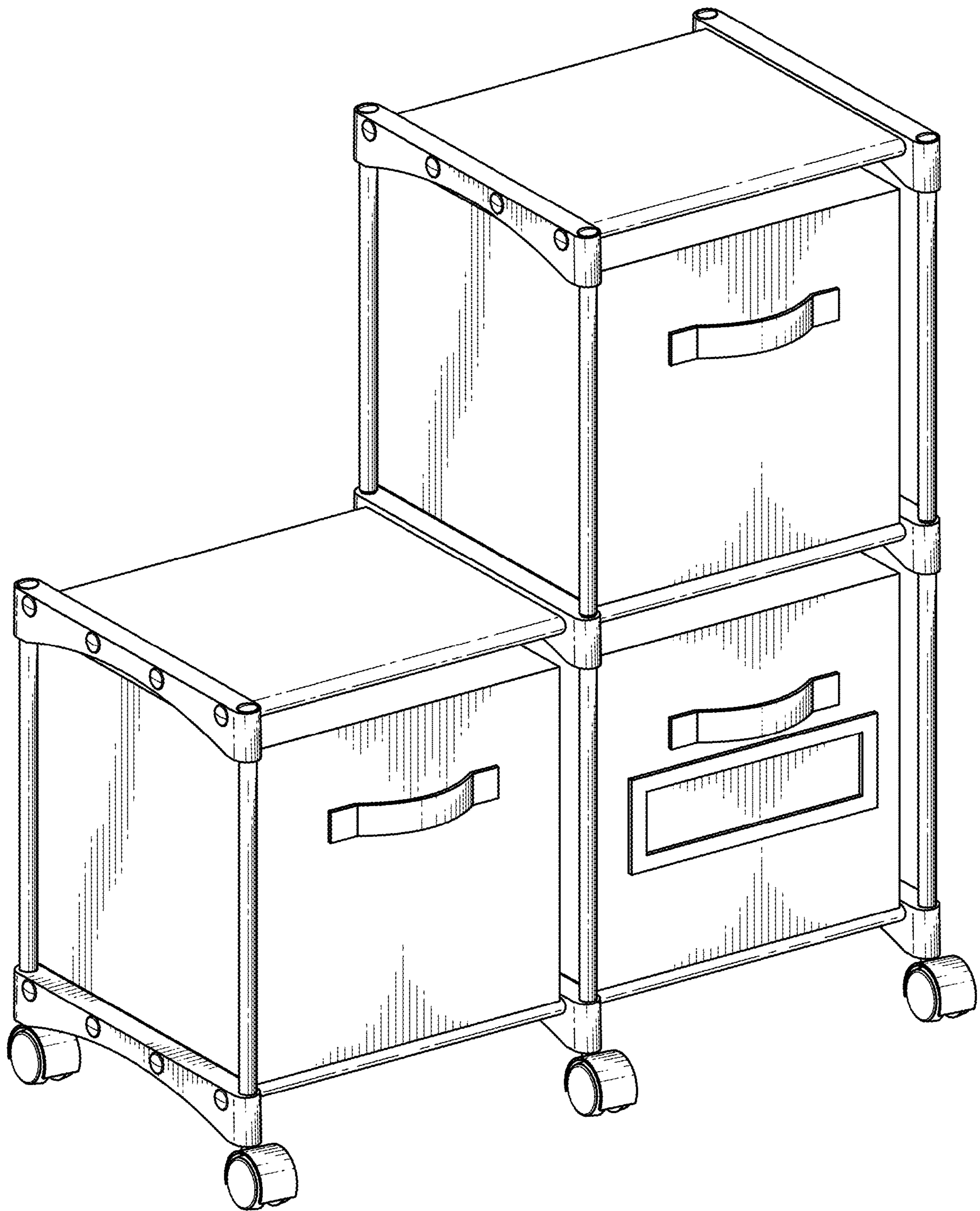


FIG. 8

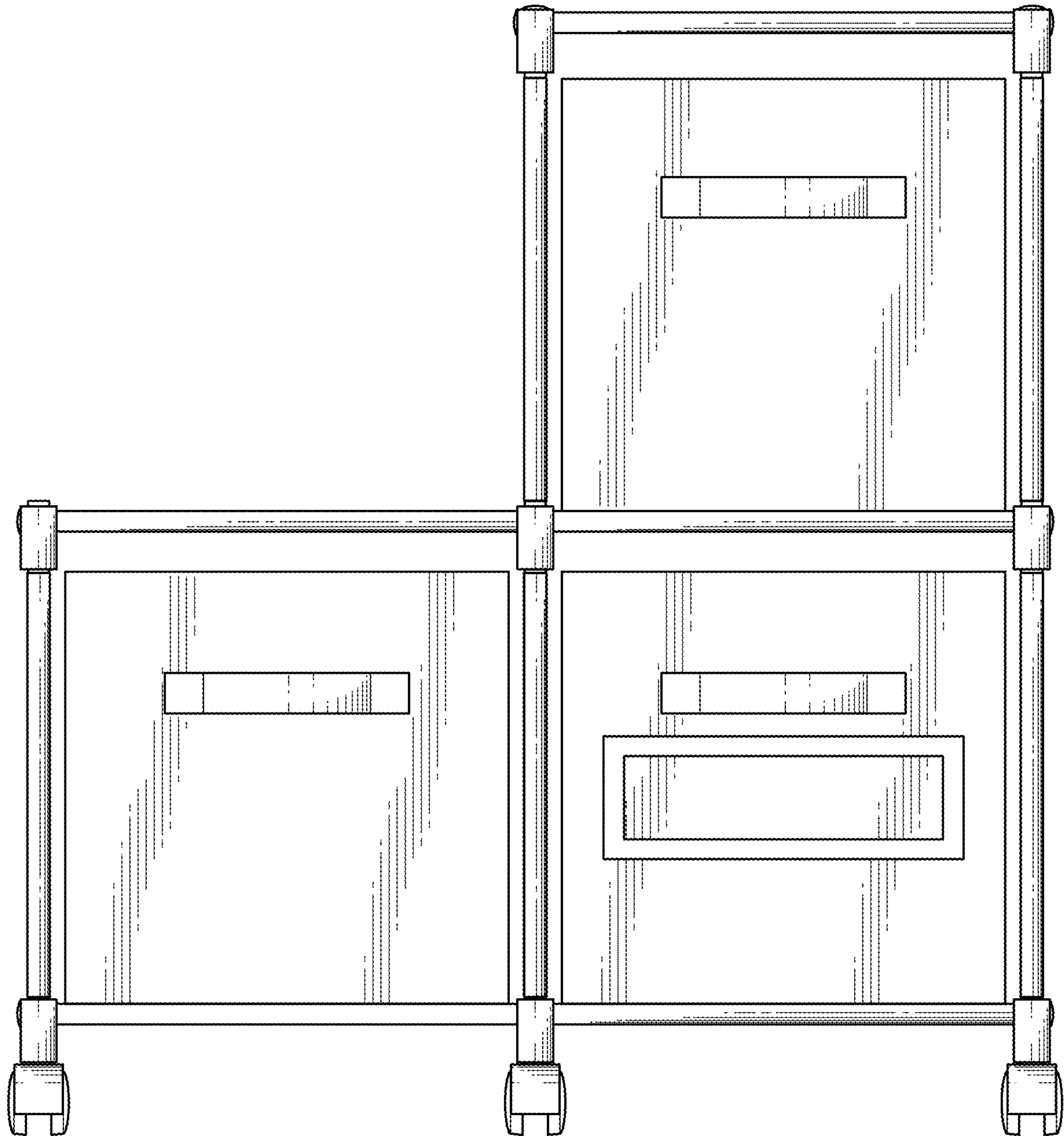


FIG. 9

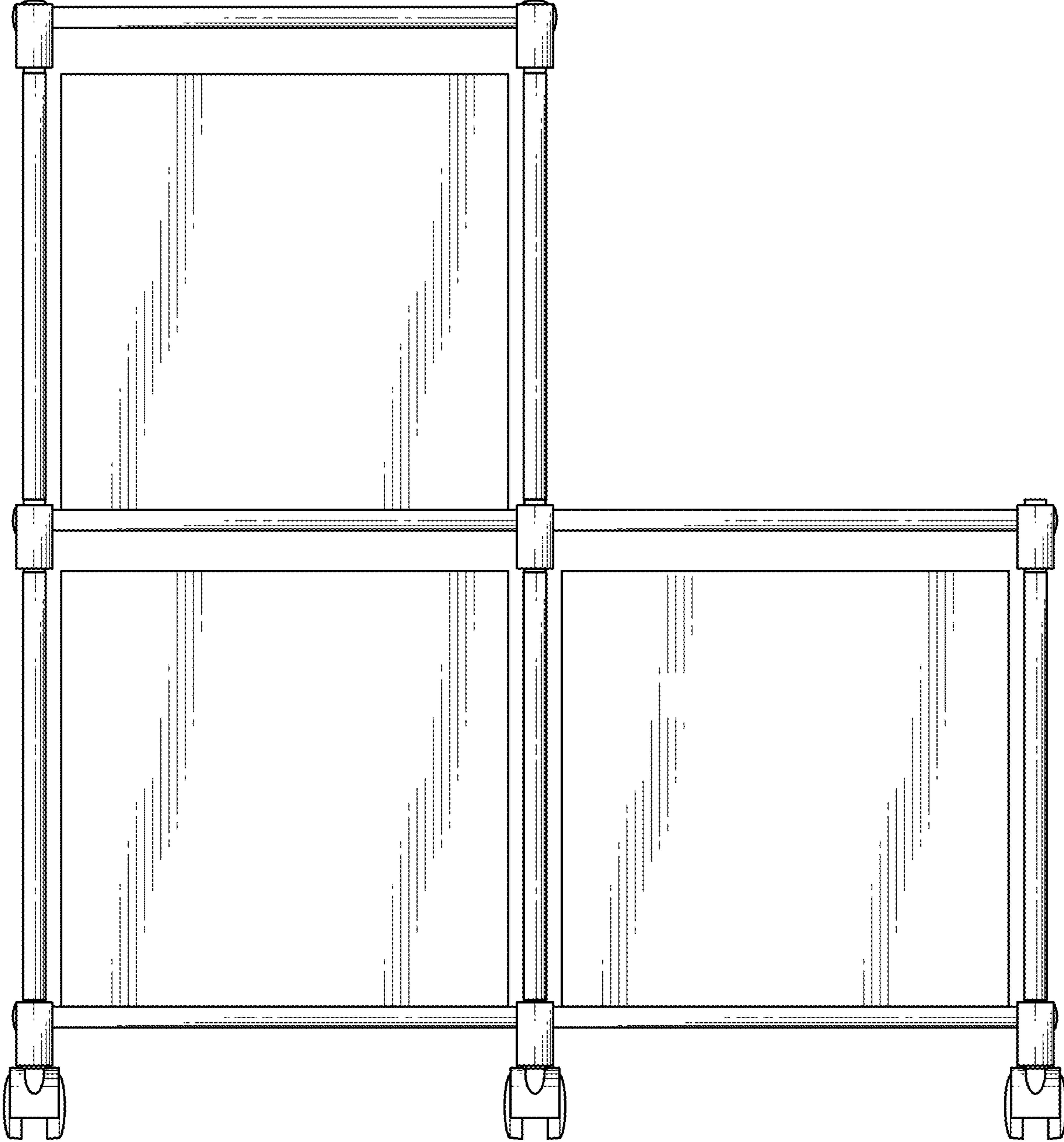


FIG. 10

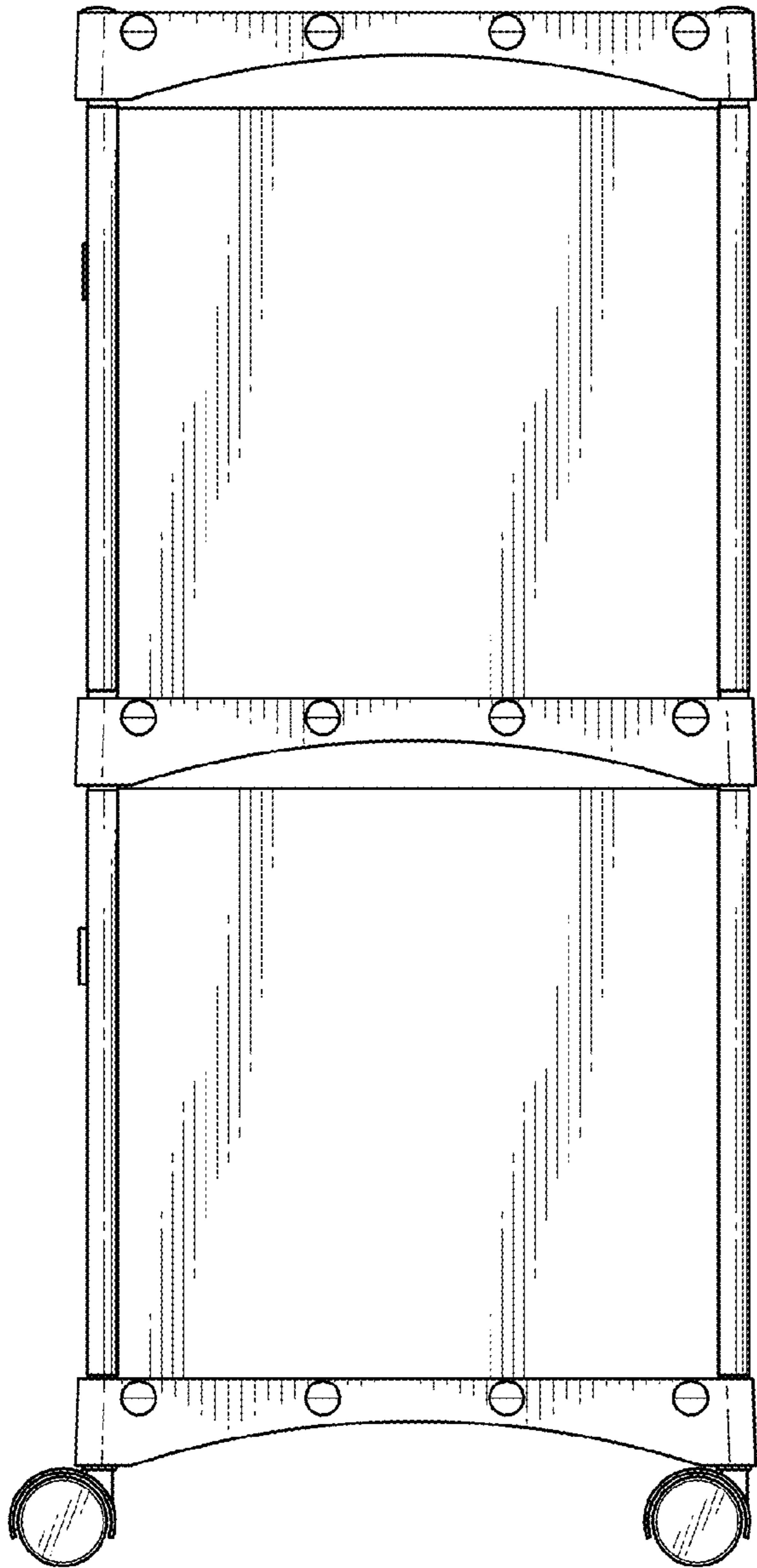


FIG. 11

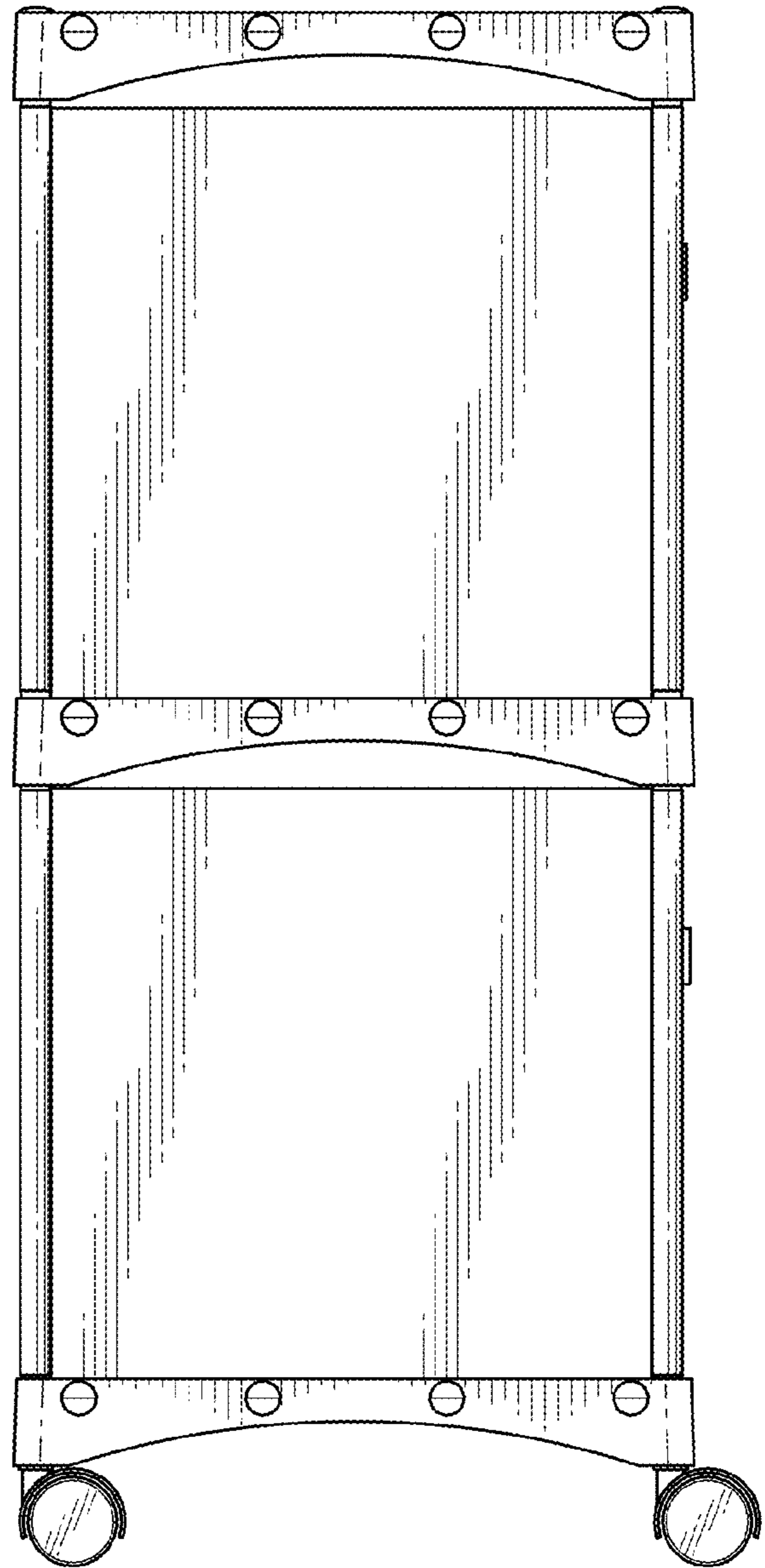


FIG. 12

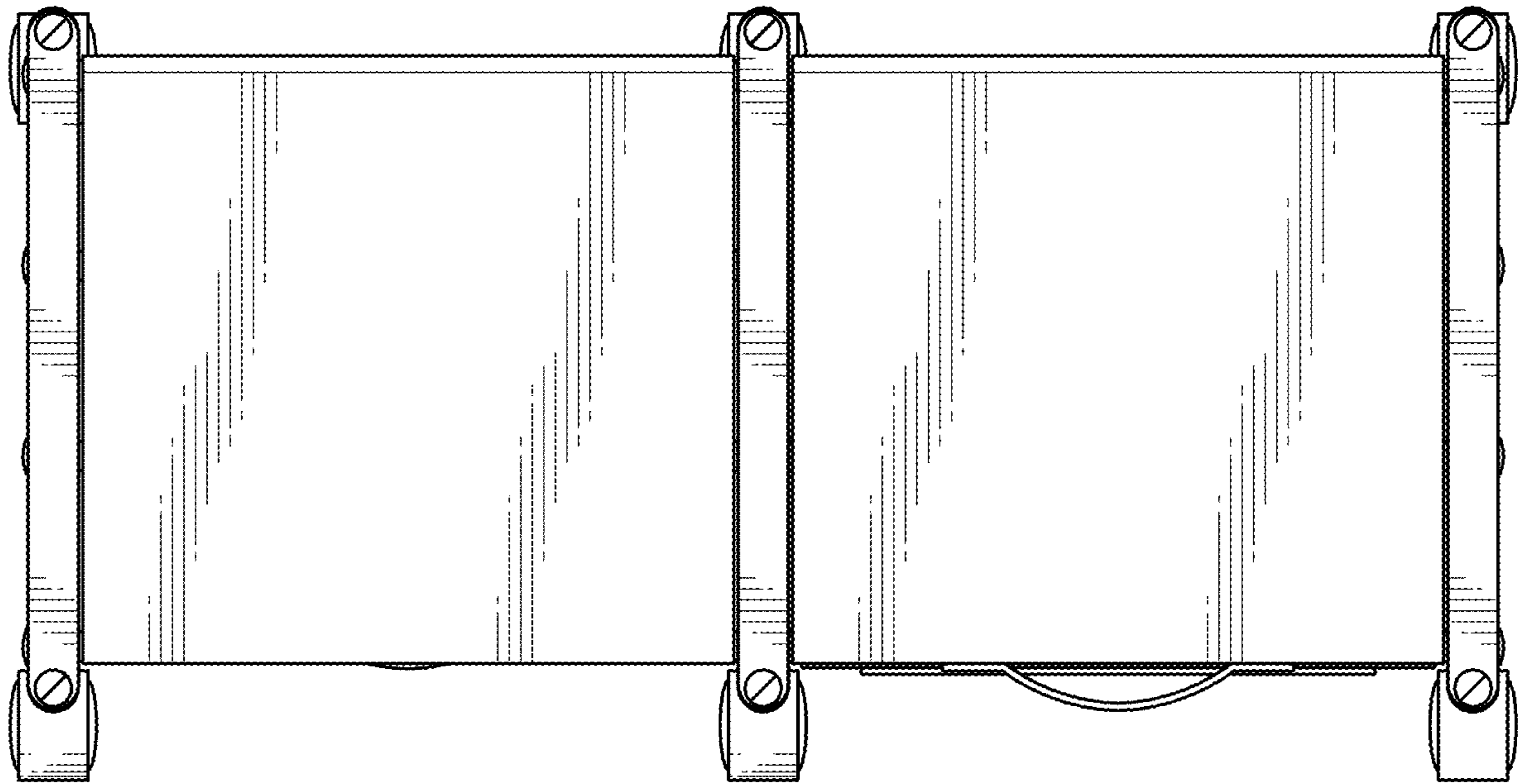


FIG. 13

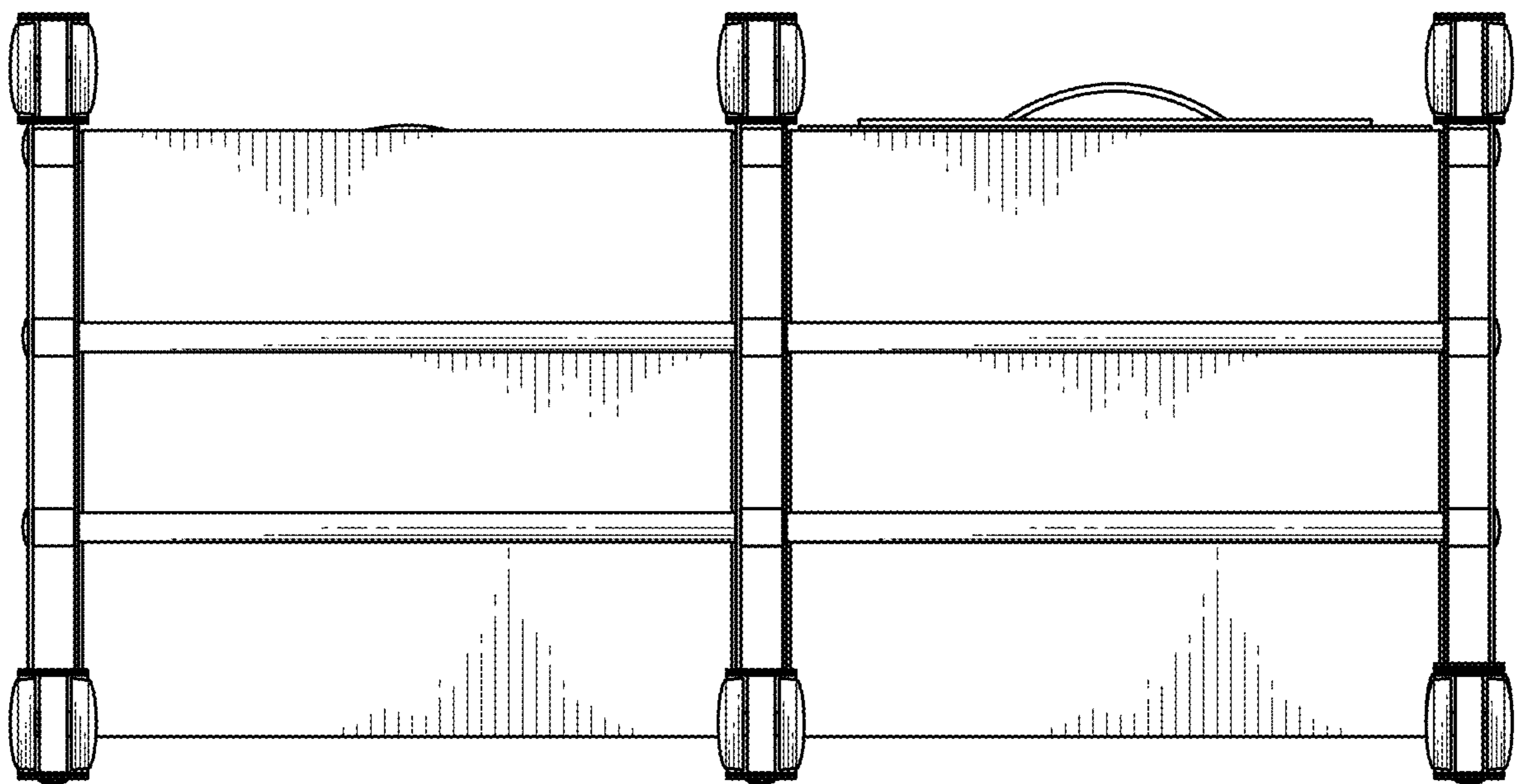


FIG. 14