



US00D906020S

(12) **United States Design Patent** (10) **Patent No.:** **US D906,020 S**
Davis et al. (45) **Date of Patent:** **** Dec. 29, 2020**

(54) **CONSOLE**
(71) Applicant: **WALKER EDISON FURNITURE COMPANY LLC**, Salt Lake City, UT (US)
(72) Inventors: **Matthew Davis**, Millcreek, UT (US); **Brad Bonham**, Draper, UT (US); **Richard A. Packer**, Kaysville, UT (US); **Tiffany Duhadway**, Salt Lake City, UT (US)
(73) Assignee: **WALKER EDISON FURNITURE COMPANY LLC**, West Jordan, UT (US)

D64,922 S 6/1924 Naill
D66,028 S 11/1924 Lyons et al.
D66,889 S 3/1925 Schleicher
1,538,393 A 5/1925 Martin
D68,065 S 8/1925 Schleicher
D68,659 S 11/1925 Smith
D78,127 S 3/1929 Schleicher

(Continued)

FOREIGN PATENT DOCUMENTS

CN 304163895 9/2017
CN 305138614 5/2019

(Continued)

OTHER PUBLICATIONS

U.S. Appl. No. 29/714,849, filed Feb. 25, 2020, Restriction Requirement.

(Continued)

Primary Examiner — Cathron C Brooks

(74) *Attorney, Agent, or Firm* — Workman Nydegger

(**) **Term:** **15 Years**
(21) **Appl. No.:** **29/699,073**
(22) **Filed:** **Jul. 23, 2019**
(51) **LOC (12) Cl.** **06-04**
(52) **U.S. Cl.**
USPC **D6/657**
(58) **Field of Classification Search**
USPC D6/657, 659, 660, 661, 662, 662.1, 671, D6/671.1
CPC . A47B 67/00; A47B 67/04; A47B 2220/0072; A47B 2220/01; A47B 85/00
See application file for complete search history.

(57) **CLAIM**

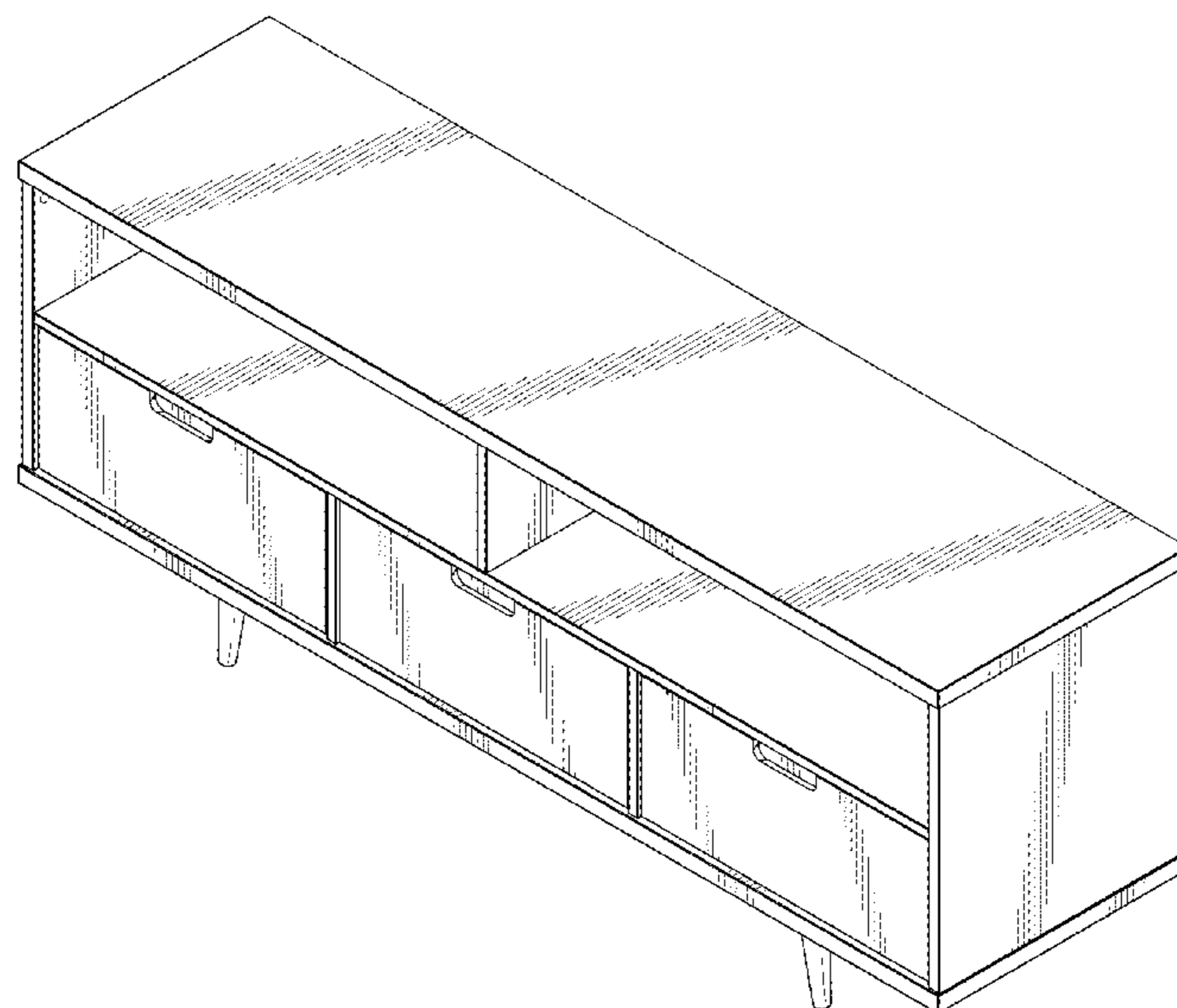
The ornamental design for a console, as shown and described.

DESCRIPTION

FIG. 1 is a front perspective view of a console showing the new design;
FIG. 2 is a front elevation view thereof;
FIG. 3 is a back elevation view thereof;
FIG. 4 is a top plan view thereof;
FIG. 5 is a bottom plan view thereof;
FIG. 6 is a right elevation view thereof; and,
FIG. 7 is a left elevation view thereof.
The broken lines in the drawings are for the purpose of illustrating portions of the article that form no part of the claimed design.

1 Claim, 4 Drawing Sheets

(56) **References Cited**
U.S. PATENT DOCUMENTS
245,925 A 8/1881 Kinsley
309,799 A 12/1884 Poulson
887,168 A 5/1908 Will
1,097,697 A 5/1914 Weston
D47,441 S 6/1915 Ullin
D47,600 S 7/1915 Koch
D61,344 S 8/1922 Mayer
1,475,088 A 11/1923 Specht et al.
D64,390 S 4/1924 Arons



(56)

References Cited

U.S. PATENT DOCUMENTS

D103,250 S	2/1937	Parrish	
D120,370 S *	5/1940	Bach	D6/657
2,207,307 A	7/1940	Teller	
D165,241 S	11/1951	Porter	
D166,077 S	3/1952	Haas	
2,696,419 A	12/1954	Wallance	
D175,869 S	10/1955	Trout	
2,743,720 A	5/1956	Dollinger	
D182,832 S	5/1958	Lubberts	
D182,836 S	5/1958	Lubberts	
2,850,346 A	9/1958	Holderle	
D186,115 S	9/1959	Church	
2,918,176 A	12/1959	Bell	
D187,232 S *	2/1960	Matyas	D6/657
D188,196 S	6/1960	Lubberts	
D188,197 S	6/1960	Swarts	
3,039,621 A	6/1962	Pilcher	
D193,516 S	9/1962	Deaton	
D195,726 S	7/1963	Harper	
D196,451 S	10/1963	McMullen	
3,217,671 A	11/1965	Walsh	
3,272,582 A	9/1966	Andersonmack	
3,352,615 A	11/1967	Sandin	
3,354,878 A	11/1967	Balls	
D220,704 S	5/1971	Kramer	
3,589,746 A	6/1971	Inglis	
RE27,186 E	10/1971	Ferdinand	
RE27,200 E	10/1971	Ferdinand et al.	
3,688,707 A	9/1972	Maurice	
3,762,789 A	10/1973	Robertson	
3,766,863 A	10/1973	Swick	
D230,446 S	2/1974	Price	
D233,294 S	10/1974	Goulder	
D236,676 S	9/1975	Urti	
D236,781 S	9/1975	Cowley	
D238,277 S	12/1975	Parker	
D239,352 S	3/1976	Petrick	
D240,381 S	7/1976	Tazaki	
D244,112 S	4/1977	Friedman	
D244,113 S	4/1977	Friedman	
D248,429 S	9/1978	Robinson	
D249,429 S	9/1978	Robinson	
D249,860 S	10/1978	Ungaro	
4,182,244 A	1/1980	Hutchins	
D259,316 S *	5/1981	Offredi	D18/59
D262,847 S	2/1982	Keller	
D267,532 S	1/1983	Platner	
D269,754 S	7/1983	Kates	
D270,858 S	10/1983	McInnes	
D273,829 S	5/1984	Desnoyers	
D274,152 S	6/1984	Fleming	
D281,901 S	12/1985	Demrick	
D283,182 S	4/1986	Marshall	
D283,343 S	4/1986	Haythornthwaite	
D289,474 S	4/1987	Underwood	
D293,177 S	12/1987	Hamami	
D293,521 S	1/1988	Handler	
4,793,667 A	12/1988	Gilliom	
D303,596 S	9/1989	Goetz	
D304,982 S	12/1989	Bush	
D305,930 S	2/1990	MacAleese	
D306,106 S	2/1990	Bush	
D319,230 S	8/1991	Sugiyama	
5,036,778 A	8/1991	Briosi	
D319,743 S	9/1991	Grey	
D322,184 S	12/1991	Prevedello	
D325,680 S	4/1992	Kiiski	
D327,735 S	7/1992	Smith	
D328,341 S	7/1992	Chiu	
D329,693 S	9/1992	Mills	
D330,470 S	10/1992	Bennett	
D336,184 S	6/1993	Borgen	
D336,392 S	6/1993	Whalen	
D347,754 S	6/1994	Mehlin	
D348,576 S	7/1994	Narramore	
D348,726 S	7/1994	Wilson	
D353,960 S	1/1995	Barfield	
5,409,122 A	4/1995	Lazarus	
5,452,812 A	9/1995	Niequist	
D363,176 S	10/1995	Berry	
D363,841 S	11/1995	Nourse	
D364,055 S	11/1995	Pakla	
D364,064 S	11/1995	Lorenz	
5,463,966 A	11/1995	Nilsson	
D365,472 S	12/1995	Rehnberg	
D366,110 S	1/1996	Darr	
D367,383 S	2/1996	Hatrack-Smith	
D373,693 S	9/1996	Elhage	
5,628,256 A	5/1997	Lazarus	
D384,227 S	9/1997	Grosfillex	
D385,431 S	10/1997	Lee	
5,695,081 A	12/1997	Alkalay	
D389,343 S	1/1998	Van Der Merwe	
D390,936 S	2/1998	French	
5,752,500 A	5/1998	Jamieson	
5,782,231 A	7/1998	Wade	
D398,788 S	9/1998	Schubert	
5,833,084 A	11/1998	Chang	
D403,529 S	1/1999	De Blaay	
D404,937 S	2/1999	Tarlow	
D407,577 S	4/1999	Dorst	
D408,174 S	4/1999	Aspenwall	
D420,114 S	2/2000	Johnson	
D423,810 S	5/2000	Dorst	
D423,813 S	5/2000	Paus	
D425,330 S	5/2000	O'Hare	
6,074,029 A	6/2000	Snoke	
D428,609 S	7/2000	Williams	
D430,431 S	9/2000	Walter	
D440,079 S	4/2001	Wohlford	
D448,203 S	9/2001	Jeup	
D449,184 S	10/2001	Cain	
D450,492 S	11/2001	Sabo	
D452,624 S	1/2002	de Blois	
D454,264 S	3/2002	Patik	
D454,732 S	3/2002	Frenkler	
D455,916 S	4/2002	Fluhrer	
6,393,207 B1	5/2002	Martin	
D462,008 S *	8/2002	Stone	D9/436
D466,333 S	12/2002	Hwang	
6,515,262 B1	2/2003	Li	
D473,404 S	4/2003	De Blois	
D475,225 S	6/2003	McBrayer	
D598,672 S	6/2003	Maly	
D477,160 S	7/2003	Grosfillex	
D478,432 S	8/2003	Juneau	
D479,925 S	9/2003	Hsieh	
D485,450 S	1/2004	Smith	
D485,709 S	1/2004	de Blois	
D486,015 S	2/2004	De Blois	
D492,989 S	7/2004	Beck	
D495,898 S	9/2004	Walker	
6,789,859 B1	9/2004	Ho	
D497,741 S	11/2004	Sexton	
D499,274 S *	12/2004	Juneau	D6/657
D499,281 S	12/2004	Yamaguchi	
D499,583 S	12/2004	Anderson	
D502,617 S	3/2005	Chang	
D503,570 S	4/2005	Anderson	
D507,428 S	7/2005	Weatherly	
D510,211 S	10/2005	Welborn, Jr.	
D519,203 S	4/2006	Haas	
D519,299 S *	4/2006	Boudreau	D6/657
D520,779 S	5/2006	DeBlois	
D522,771 S	6/2006	Berry	
D522,773 S	6/2006	Becker	
D528,327 S	9/2006	O'Reilly	
D534,379 S	1/2007	Juneau	
D534,998 S	1/2007	Charnick	
D536,770 S	2/2007	Mayer	
D538,406 S	3/2007	Mayer	
D539,057 S	3/2007	Senda	
D542,059 S	5/2007	Moyle	
D543,057 S	5/2007	Grady	

(56)

References Cited

U.S. PATENT DOCUMENTS

D543,728 S	6/2007	Becker	8,607,776 B2	12/2013	Jansson	
D548,488 S	8/2007	Weatherly	8,813,656 B1	8/2014	Hazzard	
D548,490 S	8/2007	Becker	D716,288 S	10/2014	O'Heron	
D549,991 S	9/2007	Stravitz	D717,081 S	11/2014	Dworman	
D553,879 S	10/2007	Juneau	D717,569 S	11/2014	Davis	
D554,393 S	11/2007	Yalif	D718,956 S	* 12/2014	Helser	D6/661
D555,397 S	11/2007	Yalif	D718,957 S	12/2014	Helser	
D559,017 S	1/2008	Domack	D719,384 S	12/2014	Sowers	
D559,583 S	1/2008	Zambelli	D720,563 S	1/2015	Burden	
D559,584 S	1/2008	Zambelli	D723,148 S	2/2015	Lawrence	
D559,585 S	1/2008	Lara	D723,843 S	3/2015	Lai	
D560,077 S	1/2008	Zambelli	9,004,060 B2	4/2015	Benedetti	
D560,396 S	1/2008	Weatherly	D728,975 S	5/2015	Park	
D560,403 S	1/2008	Domack	D730,089 S	5/2015	Carbone	
D560,930 S	2/2008	Woodward	D731,823 S	6/2015	Kelinske	
D561,317 S	2/2008	Ou	D736,012 S	8/2015	Davis	
D562,597 S	2/2008	Weatherly	D737,418 S	8/2015	Hrydovyy	
D564,789 S	3/2008	deCarolis	D738,477 S	9/2015	Nemes	
D567,346 S	4/2008	Lin	D738,647 S	9/2015	Muller	
D587,483 S	3/2009	Zambelli	D741,090 S	10/2015	Ward	
D587,484 S	3/2009	Domack	D741,630 S	10/2015	Meissner	
D587,497 S	3/2009	Zambelli	D742,142 S	11/2015	Everson	
D588,831 S	3/2009	Mohundro	D742,662 S	11/2015	Muller	
D589,280 S	3/2009	Zambelli	D743,192 S	11/2015	Davis	
D591,533 S	5/2009	Karsson	D746,614 S	1/2016	Sheppard	
D592,432 S	5/2009	Sexton	D747,123 S	* 1/2016	Zambelli	D6/660
7,530,538 B2	5/2009	Whalen	D747,788 S	1/2016	Baker	
D593,776 S	6/2009	Sexton	D747,900 S	1/2016	Sheppard	
D594,248 S	6/2009	Zambelli	9,228,742 B2	1/2016	Akiyama	
D595,979 S	7/2009	Schweikarth	D748,768 S	2/2016	Stanton	
D604,546 S	11/2009	Alman	D752,905 S	4/2016	Healy	
D605,874 S	12/2009	Zambelli	D753,930 S	4/2016	Vengadakrishnan	
D606,331 S	12/2009	Wicha	D757,350 S	5/2016	Levy	
D609,503 S	2/2010	Hayes	D758,766 S	6/2016	Kirar	
D611,727 S	3/2010	Vail	D759,997 S	6/2016	Ruiz	
D614,888 S	5/2010	Sexton	D767,752 S	9/2016	Davis	
D618,015 S	6/2010	Sexton	D767,753 S	9/2016	Edmund	
D618,016 S	6/2010	Metcalf	D768,413 S	10/2016	Huang	
D620,278 S	7/2010	Zambelli	D773,862 S	12/2016	Davis	
D620,283 S	7/2010	Calco	D775,866 S	1/2017	Ben Avi	
D622,834 S	8/2010	Jiang	D777,479 S	1/2017	Anderson	
D623,442 S	9/2010	Zambelli	D778,641 S	2/2017	Anderson	
D623,876 S	9/2010	Zambelli	D778,646 S	2/2017	Davis	
D623,877 S	9/2010	Zambelli	D783,324 S	4/2017	Akana	
D625,123 S	9/2010	Zambelli	D791,302 S	7/2017	Davis	
D630,453 S	1/2011	Rafieha	D791,522 S	7/2017	Rodd	
D632,902 S	2/2011	Rafieha	D792,132 S	7/2017	Peota	
D638,922 S	5/2011	Zhou	D793,776 S	8/2017	Davis	
7,934,494 B1	5/2011	Schneider	D798,640 S	10/2017	Anderson	
D640,072 S	6/2011	Sexton	D804,861 S	12/2017	Failing	
D641,861 S	7/2011	Okamoto	D807,671 S	1/2018	Caillouet	
D644,853 S	9/2011	Becker	D808,203 S	1/2018	Davis	
D653,051 S	1/2012	Lin	D808,688 S	1/2018	Everson	
D653,739 S	2/2012	Gibbs	D808,690 S	1/2018	Hsu	
D654,289 S	2/2012	Zambelli	D812,938 S	3/2018	Moore	
D654,995 S	2/2012	Asofsky	D814,410 S	4/2018	Emslie	
D654,996 S	2/2012	Asofsky	D815,465 S	4/2018	Hannoosh	
D655,946 S	3/2012	Sexton	D817,037 S	5/2018	Davis	
D658,750 S	5/2012	Nemes	D817,038 S	5/2018	Davis	
D663,137 S	7/2012	Andersen	D817,040 S	5/2018	Davis	
D663,138 S	7/2012	Andersen	D817,666 S	5/2018	Davis	
D665,897 S	8/2012	Martin	D817,667 S	5/2018	Davis	
D666,281 S	8/2012	Nemes	D818,750 S	5/2018	Hannoosh	
D667,653 S	9/2012	Lenney	D821,038 S	6/2018	Rathman	
D667,654 S	9/2012	Lenney	D824,703 S	8/2018	Yamamoto	
D668,475 S	10/2012	Zambelli	D825,233 S	8/2018	Yamamoto	
D669,704 S	10/2012	Zambelli	D825,959 S	8/2018	Rockwell	
D669,706 S	10/2012	Zambelli	D833,782 S	11/2018	Amacher	
D669,707 S	10/2012	Zambelli	D834,354 S	11/2018	Davis	
D670,105 S	11/2012	Jespersen	D834,355 S	11/2018	Davis	
D674,891 S	1/2013	Huang	D835,437 S	12/2018	Stukenberg	
D675,716 S	2/2013	Schwartz	D835,925 S	12/2018	Denby	
D687,250 S	8/2013	Weatherly	D838,523 S	1/2019	Yamamoto	
D694,873 S	12/2013	Nemes	D843,756 S	3/2019	Johnson	
D696,758 S	12/2013	Ernst	D845,041 S	4/2019	Davis	
			D845,679 S	4/2019	Li	
			D845,683 S	4/2019	Pedersen	
			D848,766 S	5/2019	Chen	
			D848,767 S	* 5/2019	Smrstick	D6/657

(56)

References Cited

U.S. PATENT DOCUMENTS

D848,768 S 5/2019 Johnson
 D848,770 S 5/2019 Davis
 D849,457 S 5/2019 Kundig
 D850,815 S 6/2019 Nicoll
 D851,426 S 6/2019 Saotome
 D852,429 S 6/2019 Rathman
 D853,052 S 7/2019 Rathman
 D858,148 S 9/2019 Crutcher
 D859,038 S 9/2019 Davis
 D860,687 S 9/2019 Parikh
 D861,388 S 10/2019 Bray
 D862,940 S 10/2019 Bray
 D867,032 S 11/2019 Bellini
 D869,201 S 12/2019 Davis
 D869,202 S 12/2019 Davis
 D870,493 S 12/2019 Young
 D874,192 S 2/2020 Velez
 D878,116 S 3/2020 Davis
 D878,816 S 3/2020 Davis
 D878,817 S 3/2020 Davis
 D878,823 S 3/2020 Davis
 D879,516 S 3/2020 Davis
 D882,989 S 5/2020 Davis
 D885,091 S 5/2020 Davis
 D886,499 S 6/2020 Davis
 D888,467 S 6/2020 Li
 D891,831 S 8/2020 Davis
 D894,641 S * 9/2020 Davis D6/657
 2004/0074858 A1 4/2004 Thuma
 2004/0079714 A1 4/2004 Andrew
 2004/0222721 A1 11/2004 Kelley
 2004/0237853 A1 12/2004 Sholz
 2005/0000241 A1 1/2005 Kucera
 2005/0103734 A1 5/2005 Saltzberg
 2007/0062983 A1 3/2007 Barnett
 2007/0138119 A1 6/2007 Schwerdlin
 2007/0236111 A1 10/2007 Gray
 2007/0236113 A1 10/2007 McCambridge
 2008/0116771 A1 5/2008 Green
 2008/0181587 A1 7/2008 Patil
 2008/0203042 A1 8/2008 Felsenthal
 2008/0216817 A1 9/2008 Yungbluth
 2009/0025414 A1 1/2009 Koga
 2009/0151375 A1 6/2009 Tarr
 2009/0170421 A1 7/2009 Adrian
 2009/0220221 A1 9/2009 Zhou
 2010/0307179 A1 12/2010 Fava
 2011/0000477 A1 1/2011 Kwon
 2011/0017691 A1 1/2011 Wu
 2011/0079688 A1 4/2011 Grove
 2011/0080261 A1 4/2011 Asofsky
 2011/0120166 A1 5/2011 Nadel
 2011/0220090 A1 9/2011 Atemboski
 2014/0116418 A1 5/2014 Thomas
 2014/0239136 A1 8/2014 Ortega
 2014/0252939 A1 9/2014 Tunzi
 2014/0265754 A1 9/2014 Patterson
 2014/0265807 A1 9/2014 Kendall
 2014/0318529 A1 10/2014 Nielsen
 2015/0182021 A1 7/2015 Chang
 2015/0323190 A1 11/2015 Stein
 2016/0018112 A1 1/2016 Phillips
 2016/0100698 A1 4/2016 Clark
 2016/0157605 A1 6/2016 Grad
 2016/0209102 A1 7/2016 Vulava
 2016/0223213 A1 8/2016 Grohova
 2016/0256032 A1 9/2016 Bhajak
 2017/0089587 A1 3/2017 Nemes
 2017/0211814 A1 7/2017 Bourne
 2018/0006424 A1 1/2018 Vahala

FOREIGN PATENT DOCUMENTS

GB 1162368 8/1969
 GB 4001474 5/2007

GB 4032905 11/2013
 GB 4034171 7/2014
 WO WOD076242-061 5/2011

OTHER PUBLICATIONS

U.S. Appl. No. 29/720,093, filed Jan. 9, 2020, Davis.
 U.S. Appl. No. 29/714,849, filed Nov. 26, 2019, Davis.
 U.S. Appl. No. 29/720,729, filed Jan. 15, 2020, Davis.
 U.S. Appl. No. 29/720,732, filed Jan. 15, 2020, Davis.
 U.S. Appl. No. 29/721,435, filed Jan. 21, 2020, Davis.
 U.S. Appl. No. 29/720,734, filed Jan. 15, 2020, Davis.
 U.S. Appl. No. 29/720,923, filed Jan. 16, 2020, Davis.
 U.S. Appl. No. 29/720,927, filed Jan. 16, 2020, Davis.
 U.S. Appl. No. 29/720,942, filed Jan. 16, 2020, Davis.
 U.S. Appl. No. 29/720,948, filed Jan. 16, 2020, Davis.
 U.S. Appl. No. 29/721,166, filed Jan. 17, 2020, Davis.
 60" Tiered Top Console; <https://www.wayfair.com/furniture/pdp/real-flame-calie-tv-stand-for-tvs-up-to-48-inches-with-electric-fireplace-included-jfp1647.html>; Retrieved on Dec. 12, 2019.
 58" Lincoln Console; <https://www.pinterest.com/pin/312366924137895643>; Retrieved on Aug. 9, 2018.
 58" Lincoln Console; https://www.miniforms.com/en/products/4_buffet-and-cabinet/105_edge/#f; Retrieved Aug. 9, 2018.
 60" Jacklyn TV Console; <https://www.pinterest.com/pin/33636328451628908/>; Retrieved on Apr. 16, 2018.
 60" Victor TV Console; <https://www.pinterest.com/pin/33636328453466237/>; Retrieved on Apr. 11, 2018.
 70" Tiered Top Open Shelf Fireplace; <https://www.wayfair.com/furniture/pdp/real-flame-calie-tv-stand-for-tvs-up-to-48-inches-with-electric-fireplace-included-jfp1647.html>; Retrieved on Jan. 10, 2018.
 48" Radcliff Buffet; <https://www.walkerredison.com/buffet-52-console-table.html>; Retrieved on Jul. 19, 2018.
 U.S. Appl. No. 29/654,952, Feb. 12, 2020, Notice of Allowance.
 U.S. Appl. No. 29/611,962, filed Jul. 27, 2017, Davis.
 U.S. Appl. No. 29/611,963, filed Jul. 27, 2017, Davis.
 U.S. Appl. No. 29/634,946, filed Jan. 25, 2018, Davis.
 U.S. Appl. No. 29/634,903, filed Jan. 25, 2018, Davis.
 U.S. Appl. No. 29/654,941, filed Jun. 28, 2018, Davis.
 U.S. Appl. No. 29/654,935, filed Jun. 28, 2018, Davis.
 U.S. Appl. No. 29/654,950, filed Jun. 28, 2018, Davis.
 U.S. Appl. No. 29/656,499, filed Jul. 12, 2018, Davis.
 U.S. Appl. No. 29/656,479, filed Jul. 12, 2018, Davis.
 U.S. Appl. No. 29/656,485, filed Jul. 12, 2018, Davis.
 U.S. Appl. No. 29/656,486, filed Jul. 12, 2018, Davis.
 U.S. Appl. No. 29/656,497, filed Jul. 12, 2018, Davis.
 U.S. Appl. No. 29/654,930, filed Jun. 28, 2018, Davis.
 U.S. Appl. No. 29/654,936, filed Jun. 28, 2018, Davis.
 U.S. Appl. No. 29/654,952, filed Jun. 28, 2018, Davis.
 U.S. Appl. No. 29/656,492, filed Jul. 12, 2018, Davis.
 U.S. Appl. No. 29/656,489, filed Jul. 12, 2018, Davis.
 U.S. Appl. No. 29/634,889, filed Jan. 25, 2018, Davis.
 U.S. Appl. No. 29/677,722, filed Jan. 23, 2019, Davis.
 U.S. Appl. No. 29/677,723, filed Jan. 23, 2019, Davis.
 U.S. Appl. No. 29/677,724, filed Jan. 23, 2019, Davis.
 U.S. Appl. No. 29/677,738, filed Jan. 23, 2019, Davis.
 U.S. Appl. No. 29/677,755, filed Jan. 23, 2019, Davis.
 U.S. Appl. No. 29/677,761, filed Jan. 23, 2019, Davis.
 U.S. Appl. No. 29/698,919, filed Jul. 22, 2019, Davis.
 U.S. Appl. No. 29/698,928, filed Jul. 22, 2019, Davis.
 U.S. Appl. No. 29/698,940, filed Jul. 22, 2019, Davis.
 U.S. Appl. No. 29/699,063, filed Jul. 23, 2019, Davis.
 U.S. Appl. No. 29/699,066, filed Jul. 23, 2019, Davis.
 U.S. Appl. No. 29/699,071, filed Jul. 23, 2019, Davis.
 U.S. Appl. No. 29/699,073, filed Jul. 23, 2019, Davis.
 U.S. Appl. No. 29/699,078, filed Jul. 23, 2019, Davis.
 U.S. Appl. No. 29/698,942, filed Jul. 22, 2019, Davis.
 U.S. Appl. No. 29/698,947, filed Jul. 22, 2019, Davis.
 Electric fireplace, image post date May 26, 2014, site visited Aug. 8, 2016, (online), <<https://www.tineye.com/search/3c3d0cbfb7030b3079ebefa0774a5b4e94120332/?pluginver>.

(56)

References Cited

OTHER PUBLICATIONS

Media Console with Electric Fireplace, image post date Dec. 6, 2015, site visited Aug. 8, 2016, (online), <<http://www.overstock.com/Home-Garden/Media-Console-with-Electric-Fireplace-in-Barnwood/10309735/product.html?recset=05953330-aaal-4640-a796-f225c2f8176d&refccid=MRISGBB2MZGZXYKK4EFVI25H6Q&recalg=809,828,512&recidx=1#reviews>>.

Tv Stand With Fireplace, image post date Sep. 12, 2015, site visited Aug. 8, 2016, (online), <<https://www.tineye.com/search/77be8934bf07249cbb245c8ea0f719199437b185/>>.

Walker Edison TV Stand with Fireplace Insert, image post date Jul. 31, 2015, site visited Aug. 8, 2016, (online), <<https://www.amazon.com/Walker-Edison-Fireplace-Insert-Espresso/dp/BOOPNONTAK>>.

Manchester Fireplace TV Console, image post date Dec. 17, 2015, site visited Aug. 8, 2016, (online), <<http://www.walmart.com/ip/Manchester-Media-Fireplace-Stand-for-TVs-up-to-70/46360223>>.

Monet Fireplace; Canadian Tire Company website: <http://www.canadiantire.ca/en/pdp/monet-fireplace-0643572p.html>; retrieved on Dec. 21, 2016.

TV and Media Consoles, image post date Sep. 21, 2013, site visited Oct. 26, 2016, (online), <http://web.archive.org/web/20130921074219/http://www.electrificfireplacesdirect.com/Gallery/tv-and-media-consoles.html>>.

"Kendall Electric Media Fireplace—Espresso" Dec. 24, 2012, amazon.com, site visited Mar. 6, 2018 <https://www.amazon.com/Kendall-Electric-Media-Fireplace-Espresso/dp/B009L1T6XQ/ref=cm_cr_arp_d_product_top?ie=UTF8> (Year: 2012)*.

"Whalen Media Fireplace Console for TVs up to 70" Gray" Nov. 24, 2015, walmart.com, site visited Mar. 6, 2018 <<https://www.walmart.com/ip/Whalen-Media-Fireplace-Console-for-TVs-up-to-70-Gray/54189794>> (Year: 2015)*.

"Boston Loft Furnishings . . ." Nov. 7, 2016, themine.com, site visited Mar. 2, 2018 https://www.themine.com/tv-stands/boston-loft-furnishings-reamrock-infrared-electric-fireplace-media-stand-with-convertible-corner_g2733659.html> (Year: 2016).

"Ameriwood Home Everett 70-inch . . ." Dec. 6, 2016, overstock.com, site visited Mar. 2, 2018 <<https://www.overstock.com/Home-Garden/Ameriwood-Home-Everett-70-inch-Sonoma-Oak-TVStand-with-Glass-Doors/12710691/product.html>> (Year: 2016)*.

Metal Coffee Table; <https://www.overstock.com/Home-Garden/42-Metal-Coffee-Table-42-x-24-x-8h/15951452/product.html> Retrieved on Nov. 13, 2018.

Modern Two-Tone Writing Desk; <https://www.overstock.com/Home-Garden/44-Modern-Two-Tone-Writing-Desk/19684325/product.html> Retrieved on Nov. 13, 2018.

Czapla TV Stand for TVs up to 65"; <https://www.allmodern.com/furniture/pdp/mercury-row-czapla-tv-stand-for-tvs-up-to-65-a000303456.html> ; Retrieved on May 7, 2019.

Nelson Media Cabinet; <https://www.franceandson.com/collections/storage-shelving-media-cabinets/products/nelson-media-cabinet36051> ; Retrieved on May 7, 2019.

Hal TV Stand for TVs up to 60"; <https://www.allmodern.com/furniture/pdp/hal-tv-stand-for-tvs-up-to-60-a000176456.html> ; Retrieved on May 7, 2019.

Wigington TV Stand for TVs up to 60"; <https://www.allmodern.com/furniture/pdp/wigington-tv-stand-for-tvs-up-to-60-golv3670.html?piid> ; Retrieved on May 7, 2019.

Cliffmay Slat Media Stand Light Oak Brown—Project 62; https://www.target.com/p/cliffmay-slat-media-stand-light-oak-brown-project-62-153/-/A-53517373?ref=tgt_adv_XS000000&AFID=google_pla_df&fndsrc=tgtao&CPNG=PLA_Furniture%2BShopping_Priority%2BBrands&adgroup=SC_Project+62&LID=700000001170770pgs&network=g&device=c&location=9029756&gclid=aw.ds&ds_rl=1246978&ds_rl=1247068&ds_rl=1246978&ref=tgt_adv_XS000000&AFID=google_pla_df&CPNG=PLA_Furniture+Shopping_Priority+Brands&adgroup=SC_Project%2062&LID=700000001170770pgs&network=g&device=c&location=9029756&gclid=EAIaIQobChMI7Nb9wo-H3wIVBylpCh1fsG4IEAQYBSABEGK_yPD_BwE&gclid=aw.ds ; Retrieved on May 7, 2019.

Audrey Woven Media Console 65"; <https://www.zinhome.com/audrey-woven-media-console-65/> ; Retrieved on May 14, 2019.

Demilune Mesh Door Industrial Sideboard; https://belleescape.com/demilune-mesh-wire-door-industrial-chic-sideboard.html?_SID=U ; Retrieved on May 14, 2019.

Tuk Cabinet; <https://blackroosterdecor.com/collections/storage/products/tuk-cabinet> ; Retrieved on May 14, 2019.

Rustic Style 31 Inches Metal TV Stand With Wire Mesh Doors Cabinet, Black; <https://casagear.com/products/rustic-style-31-inches-metal-tv-stand-with-wire-mesh-doors-cabinet-black>; May 14, 2019.

Geo-Marquetry Buffet; https://www.anthropologie.com/shop/geo-marquetry-buffet?adpos=1o27&adtype=pla&cm_mmc=Google_-US%20-%20Shopping%20-%20Furniture_-Organizing%20and%20Storage_-42699934&color=&countryCode=US&creative=191389729567&device=c&gclid=EAIaIQobChMIvuTGgYOH3wIVEdNkCh3t8wRPEAkYGYABEGJG_PD_BwE&inventoryCountry=US&matchtype=&mrkgadid=3202938336&mrkgcl=694&network=g&product_id=42699934&quantity=1&size=All&type=STANDARD&utm_campaign=US%20-%20Shopping%20-%20Furniture&utm_content=42699934&utm_medium=paid_search&utm_source=Google&utm_term=Organizing%20and%20Storage; Retrieved on May 14, 2019.

Suspend II Media Console; <https://www.cb2.com/suspend-ii-media-console/s523915>; Retrieved on May 14, 2019.

Hooker Furniture Melange Mirrored Angle Console; https://www.furniturecrate.com/hooker-melange-mirrored-angle-console.html?gdftrk=gdfV21650_a_7c92_a_7c8357_a_7c654170&gclid=CjwKEAiA05unBRCymrGilanF9SwSJACqDFRm1WwgePUSp65sXRCI4RkJfScYn-yCjNuB-GTt3W-FxoCQL7w_wcB; Retrieved on May 14, 2019.

FurnitureMaxx Besteen Contemporary Wood Dark Gray Dining Room Server; https://www.amazon.com/dp/B07GVS1VK2/ref=cm_sw_r_pi_dp_U_x_evuOBbFM3298G; Retrieved on May 14, 2019.

Jaydyn Media TV Stand/Credenza; https://www.macys.com/shop/product/jaydyn-media-tv-stand-credenza?ID=2883210&CategoryID=35319#fn=FURNITURE_CATEGORY=Buffet%20%&%20Sideboards&SIZE=&sp=3&spc=131&ruleId=129%7CBOOST%20ATTRIBUTE%7CBOOST%20SAVED%20SET&searchPass=matchNone&slotId=2; Retrieved on May 14, 2019.

Sideboard; <https://www.allmodern.com/furniture/pdp/sideboard-sct11710.html>; Retrieved on May 14, 2019.

Belham Living Trenton Industrial End Table; https://www.hayneedle.com/product/belham-living-trenton-industrial-end-table-new.cfm?source=pla&kwid=OccasionalTables%20iprefer&tid=REDU113-1&adtype=pla&kw=&gclid=EAIaIQobChMIvOu-6veI3wIVB8ZkCh0ZdAf-EAkYAyABEGLyMfD_BwE; Retrieved on May 15, 2019.

Belham Living Hampton Chair Side Table—Black; <https://www.hayneedle.com/product/belham-living-hampton-chair-side-table-black.cfm>; Retrieved on May 15, 2019.

International Concepts Hampton End Table; https://www.hayneedle.com/product/internationalconceptshamptonendtable.cfm?source=pla&kwid=OccasionalTables%20level05&tid=WWI545-1&adtype=pla&kw=&gclid=EAIaIQobChMIpsnoq_mI3wIVGNVCh348gtdEAKYiABEGLP7fD_BwE; Retrieved on May 15, 2019.

Hampton Weathered Taupe Gray Coffee Table; https://www.homedepot.com/p/International-Concepts-Hampton-Weathered-Taupe-Gray-Coffee-Table-OT09-70C/302946359?MERCH=REC_-PIPHorizontal2_rr_-204737265_-302946359_-N; Retrieved on May 15, 2019.

Convenience Concepts Oxford Rectangle Coffee Table; https://www.hayneedle.com/product/convenience-concepts-oxford-rectangle-coffee-table.cfm?source=pla&kwid=OccasionalTables%20newskus&tid=CONV338-5&adtype=pla&kw=&gclid=EAIaIQobChMIhuzv9_mI3wIVWx-tBhIrUA1tEAKYHyABEGJ2hPD_BwE; Retrieved on May 15, 2019.

Belham Living Jamestown Rustic Coffee Table with Unique Driftwood Finish; <https://www.hayneedle.com/product/jamestown-rustic-coffee-table.cfm>; Retrieved on May 15, 2019.

Pinterest; www.pinterest.com/pin/336328451393621/; Retrieved on Jun. 12, 2019.

(56)

References Cited

OTHER PUBLICATIONS

Target Winham TV Stand—Threshold; www.target.com/p/windham-tv-stand-threshold-153/-/A-54301349; Retrieved on Jun. 12, 2019.
Pinterest DIY Farmhouse Coffee Table Cabinet; www.pinterest.com/pin/33636328450994833/; Retrieved on Jun. 12, 2019.
Image seen on Pinterest DIY Project; Pinterest.com; Seen approximately Aug. 1, 2017.

World Market—Metal Bexley Bar; www.worldmarket.com/product/metal+bexley+bar.do?pp=1; Retrieved on Sep. 25, 2019.

Overstock—Nova Domus Soria Modern Walnut TV Stand; https://www.overstock.com/Home-Garden/Nova-Domus-Soria-Modern-Walnut-TV-Stand/10359356/product.html?utm_campaign=pin_button&utm_medium=Social&utm_source=Pinterest; Retrieved on Jun. 12, 2019.

42 in. Metal and Wood Desk with Glass and Shelf Grey Wash by Walker Edison Furniture Company—Home Depot <https://www.homedepot.com/p/Walker-Edison-Furniture-Company-42-in-Metal-and-Wood-Desk-with-Glass-and-Shelf-Grey-Wash-HDM42JERGW/305309102> retrieved from the internet on Sep. 9, 2019.

Dark Walnut Wood and Glass Coffee Table by Walker Edison Furniture Company—Home Depot—<https://www.homedepot.com/p/Walker-Edison-Furniture-Company-Dark-Walnut-Wood-and-Glass-Coffee-Table-HDF42JMGLDW/305308482> retrieved from the internet on Nov. 6, 2019.

“Baum TV Stand for TVs up to 58 inches” Wayfair. (Accessed Nov. 14, 2019).

“Dark Walnut 70" TV Stand” Pier1. (Accessed Nov. 14, 2019).

“Seren TV Stand for TVs up to 50 inches” Wayfair. (Accessed Nov. 14, 2019).

“Shreffler TV Stand for TVs up to 78 inches” Wayfair. (Accessed Nov. 14, 2019).

Electric Fireplaces Direct.com. <https://www.electricfireplacesdirect.com/products-accessories/tv-media-consoles/shelby-electric-fireplace-media-console-in-white-c3p18c9-2030w.html>. “Shelby Electric Fireplace Media Console in White”. Date unknown: Viewed Dec. 2019 (Year: 2019).

Pikove. <https://pikove.com/media/509962357792326443>. “Home Decor”. Feb. 2017 (Year: 2017).

Luno. <https://iamluno.com/product/kc27-record-console-new/>. “KC27 HIFI Record Console”. Date Viewed unknown: Dec. 2019 (Year: 2019).

U.S. Appl. No. 29/654,936, Jun. 19, 2019, Notice of Allowance.

U.S. Appl. No. 29/656,479, Jun. 27, 2019, Notice of Allowance.

U.S. Appl. No. 29/654,950, Sep. 25, 2019, Restriction Requirement.

U.S. Appl. No. 29/656,489, Sep. 25, 2019, Office Action.

U.S. Appl. No. 29/656,497, Sep. 25, 2019, Office Action.

U.S. Appl. No. 29/656,499, Sep. 26, 2019, Office Action.

U.S. Appl. No. 29/656,486, Sep. 27, 2019, Notice of Allowance.

U.S. Appl. No. 29/656,485, Oct. 2, 2019, Notice of Allowance.

U.S. Appl. No. 29/656,479, Oct. 21, 2019, Notice of Allowance.

U.S. Appl. No. 29/654,952, Nov. 15, 2019, Office Action.

U.S. Appl. No. 29/656,492, Nov. 18, 2019, Notice of Allowance.

U.S. Appl. No. 29/634,946, Dec. 12, 2019, Office Action.

U.S. Appl. No. 29/656,485, Dec. 18, 2019, Notice of Allowance.

U.S. Appl. No. 29/654,950, Dec. 27, 2019, Notice of Allowance.

U.S. Appl. No. 29/656,499, Jan. 23, 2020, Notice of Allowance.

U.S. Appl. No. 29/656,497, Jan. 23, 2020, Notice of Allowance.

U.S. Appl. No. 29/656,489, Jan. 24, 2020, Notice of Allowance.

U.S. Appl. No. 29/698,924, filed Jul. 22, 2019, Davis.

U.S. Appl. No. 29/743,237, filed Jul. 30, 2020, Packer.

U.S. Appl. No. 29/743,240, filed Jul. 20, 2020, Packer.

U.S. Appl. No. 29/743,244, filed Jul. 20, 2020, Packer.

U.S. Appl. No. 29/743,246, filed Jul. 20, 2020, Packer.

U.S. Appl. No. 29/743,247, filed Jul. 20, 2020, Packer.

U.S. Appl. No. 29/743,250, filed Jul. 20, 2020, Packer.

U.S. Appl. No. 29/743,416, filed Jul. 21, 2020, Packer.

U.S. Appl. No. 29/743,418, filed Jul. 21, 2020, Packer.

U.S. Appl. No. 29/743,423, filed Jul. 21, 2020, Packer.

U.S. Appl. No. 29/743,584, filed Jul. 22, 2020, Packer.

U.S. Appl. No. 29/728,971, filed Mar. 23, 2020, Davis.

U.S. Appl. No. 29/677,754, filed Jan. 23, 2019, Davis.

U.S. Appl. No. 29/698,929, filed Jul. 22, 2019, Davis.

U.S. Appl. No. 29/698,933, filed Jul. 22, 2019, Davis.

U.S. Appl. No. 29/698,934, filed Jul. 22, 2019, Davis.

U.S. Appl. No. 29/720,725, filed Jan. 15, 2020, Davis.

U.S. Appl. No. 29/721,169, filed Jan. 17, 2020, Davis.

U.S. Appl. No. 29/743,596, filed Jul. 22, 2020, Packer.

U.S. Appl. No. 29/743,597, filed Jul. 22, 2020, Packer.

Notice of Allowance for U.S. Appl. No. 29/714,849 dated Apr. 6, 2020.

Notice of Allowance for U.S. Appl. No. 29/634,946 dated Apr. 8, 2020.

Notice of Allowance for U.S. Appl. No. 29/654,952 dated Apr. 21, 2020.

Pinterest; Cabinet Furniture; wood veneer sideboard with doors—Edge Collection by Miniforms; <https://www.pinterest.com/pin/312366924137895643>; Retrieved on Aug. 9, 2018.

Edge Buffet and Cabinet; Miniforms.com; https://www.miniforms.com/en/products/4_buffet-and-cabinet/105_edge/#f; Retrieved on Aug. 9, 2018.

Pinterest; Media Furniture Search; <https://www.pinterest.com/pin/33636328451628908/>; Retrieved on Apr. 16, 2018.

Pinterest; Furniture Search; <https://www.pinterest.com/pin/33636328453466237/>; Retrieved on Apr. 11, 2018.

Office Action for U.S. Appl. No. 29/677,738 dated Jun. 26, 2020.

Office Action for U.S. Appl. No. 29/677,723 dated Jun. 26, 2020.

“Walker Edison—W6ONOR2D Assembly Instructions.” Found online Jun. 19, 2020 at www.walkerredison.com. Page dated Apr. 23, 2018. Retrieved from URL: <https://www.walkerredison.com/uploads/5/8/2/2/58227457/ai-w6Onor2d-%C2%AE%version%042318-e.pdf> (Year: 2018).

“The Urban Port Mid Century Modern Acacia Wood TV Unit.” Found online Jun. 19, 2020 at www.amazon.com. Product reviewed Jun. 28, 2018. Retrieved from URL: https://www.amazon.com/dp/B07P6OPSYJ/ref=sbl_dpx_B07LG44BN6_0?th=1 (Year: 2018).

“Simpli Home Draper Solid Wood Universal Low TV Media Stand.” Found online Jun. 19, 2020 at www.amazon.com. Product reviewed Sep. 26, 2016. Retrieved from URL: https://www.amazon.com/dp/B01AACK5FM/ref=sbl_dpx_B082WLRMSMS_0?th=1 (Year: 2016).

“Iwell Mid-Century Modern TV Stand.” Found online Jun. 20, 2020 at www.amazon.com. Product first available May 7, 2020. Retrieved from URL: <https://tinyurl.com/y9okn51q> (Year: 2020).

“Tangkula Wooden TV Stand.” Found online Jun. 20, 2020 at www.amazon.com. Product first available Jan. 13, 2020. Retrieved from URL: <https://tinyurl.com/y9h9hwwc> (Year: 2020).

“Langley Street Silvia 54-inch TV Stand.” Found online Jun. 20, 2020 at www.amazon.com. Product first available Aug. 30, 2015. Retrieved from URL: https://www.amazon.com/dp/B07BMM7PZ6/ref=sbl_dpx_B01255EZVW_0 (Year: 2015).

“Walker Edison—W70JACSD Assembly Instructions.” Found online Jun. 19, 2020 at www.walkerredison.com. Page dated Jul. 9, 2018. Retrieved from URL: <https://www.walkerredison.com/uploads/5/8/2/2/58227457/ai-w70jacsd-%C2%AE%version%071118-n.pdf> (Year: 2018).

“South Shore Exhibit TV Stand.” Found online Jun. 19, 2020 at www.amazon.com. Product reviewed Jan. 12, 2017. Retrieved from URL: https://www.amazon.com/dp/B01D9MW9FE/ref=sbl_dpx_B01AACK5FM_0?th=1 (Year: 2017).

“Sauder Coral Cape Contemporary Wood 70-inch TV Stand.” Found online Jun. 19, 2020 at www.amazon.com. Product first available Jan. 28, 2020. Retrieved from URL: https://www.amazon.com/dp/B085VKFXJF/ref=sbl_dpx_B07LG44BN6_0 (Year: 2020).

“CCT Global Sourcing Inc. Pearson Solid Hardwood 60-inch TV Stand.” Found online Jun. 19, 2020 at www.amazon.com. Product first available Jan. 20, 2020. Retrieved from URL: https://www.amazon.com/dp/B0842JT1Z6/ref=sbl_dpx_B07LG44BN6_0 (Year: 2020).

Notice of Allowance for U.S. Appl. No. 29/677,722 dated Jul. 1, 2020.

“Walker Edison—W58BMHPAS Assembly Instructions.” Found online Jun. 19, 2020 at www.walkerredison.com. Page dated Apr. 23,

(56)

References Cited

OTHER PUBLICATIONS

2018. Retrieved from URL: [https://www.walkerredison.com/uploads/5/8/2/2/58227457/ai-w58bnnhpas-%C2%AE version 042318 - e.pdf](https://www.walkerredison.com/uploads/5/8/2/2/58227457/ai-w58bnnhpas-%C2%AE%20version%20042318-e.pdf) (Year: 2018).

“Mid Century Modern TV Stand.” Found online Jun. 20, 2020 at www.amazon.com. Product first available Jun. 16, 2020. Retrieved from URL: <https://tinyurl.com/y7qolcv7> (Year: 2020).

“Pemberly Row Modern Mid Century Entertainment TV Stand.” Found online Jun. 20, 2020 at www.amazon.com. Product first available May 25, 2018. Retrieved from URL: <https://tinyurl.com/y9affau7> (Year: 2018).

Notice of Allowance for U.S. Appl. No. 29/677,724 dated Jul. 7, 2020.

“Walker Edison—W60S014D Assembly Instructions.” Found online Jun. 19, 2020 at www.walkerredison.com. Page dated May 8, 2018. Retrieved from URL: [https://www.walkerredison.com/uploads/5/8/2/2/58227457/ai-w60soi4d-%C2%Ae version 050818 n. pdf](https://www.walkerredison.com/uploads/5/8/2/2/58227457/ai-w60soi4d-%C2%Ae%20version%20050818-n.pdf) (Year: 2018).

“Sauder Boulevard Cafe Credenza.” Found online Jun. 19, 2020 at www.amazon.com. Product first available Aug. 23, 2018. Retrieved from URL: https://www.amazon.com/Sauder-420649-Boulevard-Credenza-Vintage/dp/B07GSJ4MG1/ref=psdc_14109851_t1_B07G62YLVV (Year: 2018).

“Martin Furniture Eclectic Harmon Four Door Console.” Found online Jun. 19, 2020 at www.amazon.com. Product first available Oct. 30, 2017. Retrieved from URL: https://www.amazon.com/dp/B076VVVYRPR/ref=sbl_dp_x_B07G62YLVV 0 (Year: 2017).

“Industrial Iron Mesh Sideboard Media Cabinet.” Found online Jun. 19, 2020 at www.amazon.com. Product first available Jul. 20, 2015. Retrieved from URL: https://www.amazon.com/dp/B01255EZVW/ref=sbl_dp_x_B07G62YLVV 0 (Year: 2015).

Safavieh Furniture; <http://web.archive.org/web/20130301232929/http://safavieh.com/furniture/categories/bookcases?pg=all>; Retrieved online on Aug. 5, 2020.

Safavieh Furniture; <http://web.archive.org/web/20140713025018/http://safavieh.com/furniture/american-home/bookcases/amh6525a>; Retrieved online on Aug. 5, 2020.

Amarah Mid Century Modern Wood TV Stand by Christopher Knight Home; <https://web.archive.org/web/20181102021725/https://www.overstock.ca/Home-Garden/Amarah-Mid-century-Modern-Wood-TV-Stand-by-Christopher-Knight-Home/18108793/product.html>; Retrieved online on Aug. 5, 2020.

Gemini Wood Contemporary TV Stand; <https://web.archive.org/web/20160423180238/https://www.target.com/p/gemini-wood-contemporary-tv-stand-walnut-white-66-baxton-studio/-/A-50256043>; Retrieved online on Aug. 5, 2020.

Article SENO walnut media unit; <http://web.archive.org/web/20170610131805/https://www.article.com/product/1635/seno-walnut-63-media-unit>; Retrieved online on Aug. 5, 2020.

Instagram post—Article Seno walnut media unit; <https://www.instagram.com/p/BhcCAZIH8-q/>; Retrieved on Aug. 5, 2020.

Convenience Concepts Designs2Go Oslo TV Stand; <https://www.amazon.ca/Convenience-Concepts-Designs2Go-Stand-White/dp/B011RACHQ6/?th=1>; Retrieved online on Aug. 5, 2020.

Houzz_Rowan_Mid-Century Modern Two-Toned TV Stand; <https://www.houzz.com/products/rowan-mid-century-modern-two-toned-tv-stand-white-oak-prvw-vr-74489612>; Retrieved online on Aug. 21, 2020.

Focus on Furniture, Lowline TV Units; <https://web.archive.org/web/20170218071314/https://www.focusonfurniture.com.au/living-room/lowline-tv-units/>; Retrieved on Aug. 21, 2020.

Office Action for U.S. Appl. No. 29/654,930, dated Aug. 21, 2020. Calie TV Stand for TVs up to 48 inches with Electric Fireplace Included; Wayfair.com; <https://www.wayfair.com/furniture/pdp/real-flame-calie-tv-stand-for-tvs-up-to-48-inches-with-electric-fireplace-included-jfp1647.html>; Retrieved on Jan. 10, 2018.

Restriction Requirement for U.S. Appl. No. 29/698,919, dated Aug. 27, 2020.

Office Action for U.S. Appl. No. 29/677,755, dated Aug. 27, 2020.

Foundry Arsenault End Table, www.wayfair.com [online]. Published on or before Aug. 15, 2020, [retrieved on Aug. 15, 2020], Retrieved from the Internet: <URL:<https://www.wayfair.ca/furniture/pdp/foundry-select-arsenault-4-legs-end-table-c003160002.html?piid=1664365403>> (Year: 2020).

Office Action for U.S. Appl. No. 29/698,928, dated Aug. 28, 2020. Notice of Allowance for U.S. Appl. No. 29/698,940, dated Aug. 28, 2020.

Rustic Farmhouse Corner TV Stand With Barn Doors, Little Rustic Shop, site visited Aug. 24, 2020, available online at <https://littlerusticshop.com/collections/frontpage/products/rustic-farmhouse-corner-tv-stand-with-barn-doors> (Year: 2020).

Office Action for U.S. Appl. No. 29/698,947, dated Aug. 31, 2020. White Eliza TV Stand With Fireplace Insert, Owens Home Furnishings, site visited Aug. 25, 2020, available online at <https://www.owensfurniture.com/eliza-white-barn-door-tv-stand-70/> (Year: 2020).

Office Action for U.S. Appl. No. 29/698,942, dated Aug. 31, 2020. Office Action for U.S. Appl. No. 29/677,761, dated Sep. 1, 2020.

Foundry Select Arsenault Coffee Table, www.wayfair.ca [online]. Published on or before Aug. 11, 2020, [retrieved on Aug. 11, 2020], Retrieved from the Internet: <URL:<https://www.wayfair.ca/furniture/pdp/foundry-select-arsenault-coffee-table-c003159996.html>> (Year: 2020).

Notice of Allowance for U.S. Appl. No. 29/699,063, dated Sep. 2, 2020.

Notice of Allowance for U.S. Appl. No. 29/699,071, dated Sep. 4, 2020.

Notice of Allowance for U.S. Appl. No. 29/699,066, dated Sep. 11, 2020.

Notice of Allowance for U.S. Appl. No. 29/677,723, dated Sep. 15, 2020.

Notice of Allowance for U.S. Appl. No. 29/677,738, dated Sep. 15, 2020.

Notice of Allowance for U.S. Appl. No. 29/698,942, dated Sep. 15, 2020.

Office Action for U.S. Appl. No. 29/698,924, dated Sep. 16, 2020. Corrected Notice of Allowance for U.S. Appl. No. 29/698,942, dated Sep. 23, 2020.

Notice of Allowance for U.S. Appl. No. 29/677,723, dated Sep. 29, 2020.

Notice of Allowance for U.S. Appl. No. 29/677,738, dated Sep. 29, 2020.

Notice of Allowance for U.S. Appl. No. 29/720,732; dated Sep. 29, 2020.

Notice of Allowance for U.S. Appl. No. 29/721,435, dated Sep. 29, 2020.

Notice of Allowance for U.S. Appl. No. 29/677,724, dated Sep. 30, 2020.

Notice of Allowance for U.S. Appl. No. 29/699,071, dated Sep. 30, 2020.

Notice of Allowance for U.S. Appl. No. 29/720,923, dated Sep. 30, 2020.

Office Action for U.S. Appl. No. 29/699,078, dated Oct. 6, 2020.

“WE Furniture AZ40SWICTWMDC Coffee Table.” Found online Sep. 30, 2020 at www.amazon.com. Product first available Jan. 23, 2019 Retrieved from URL: https://www.amazon.com/-/es/Furniture-AZ40SWICTWMDC-centro-Madera-Vidrio/dp/B07N282396/ref=psdc_3733631_J2_B07CYML1LF (Year: 2019).

“Vasagle Glatal Glass Coffee Table.” Found online Sep. 30, 2020 at www.amazon.com. Product first available May 1, 2020. Retrieved from URL: <https://tinyurl.com/yxvuv2rf> (Year: 2020).

“Henn and Hart Coffee Table.” Found online Sep. 30, 2020 at www.amazon.com. Product first available Jan. 20, 2019. Retrieved from URL: https://www.amazon.com/-/es/Henn-Hart-talla-%C3%BA-nica-color/dp/B07N8RRPT5/ref=psdc_3733631_t5_B07CYML1Lf (Year: 2019).

Pinterest; 5050 Lacquered bedside table by Molteni & C.; <https://www.pinterest.com/pin/33636328453042318/>; Retrieved on Oct. 15, 2018.

Archiproducts; 5050 Lacquered bedside table by Molteni & C.; https://www.archiproducts.com/en/products/molteni-c/wooden-bedside-table-with-drawers-5050-lacquered-bedside-table_246952; Retrieved on Oct. 15, 2018.

(56)

References Cited

OTHER PUBLICATIONS

Pinterest; Cabinet Furniture; Furniture Design collezione 2011 Ottoman Box by Aksu <https://www.pinterest.com/pin/33636328452974953/>; Retrieved on Nov. 25, 2019.
Cole; Container; <http://coleitalia.com/product/ottoman-box/>; Retrieved on Nov. 25, 2019.

* cited by examiner

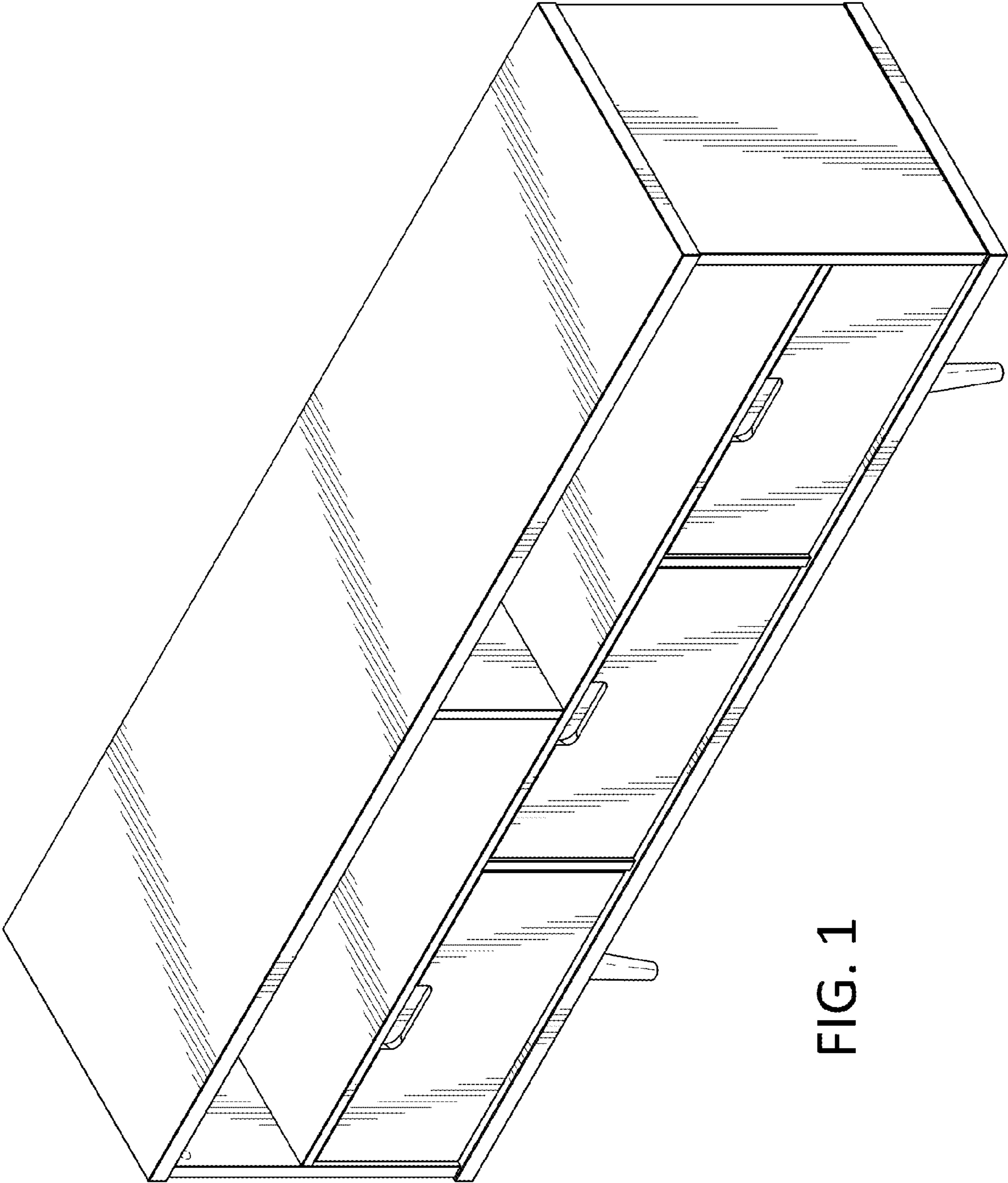


FIG. 1

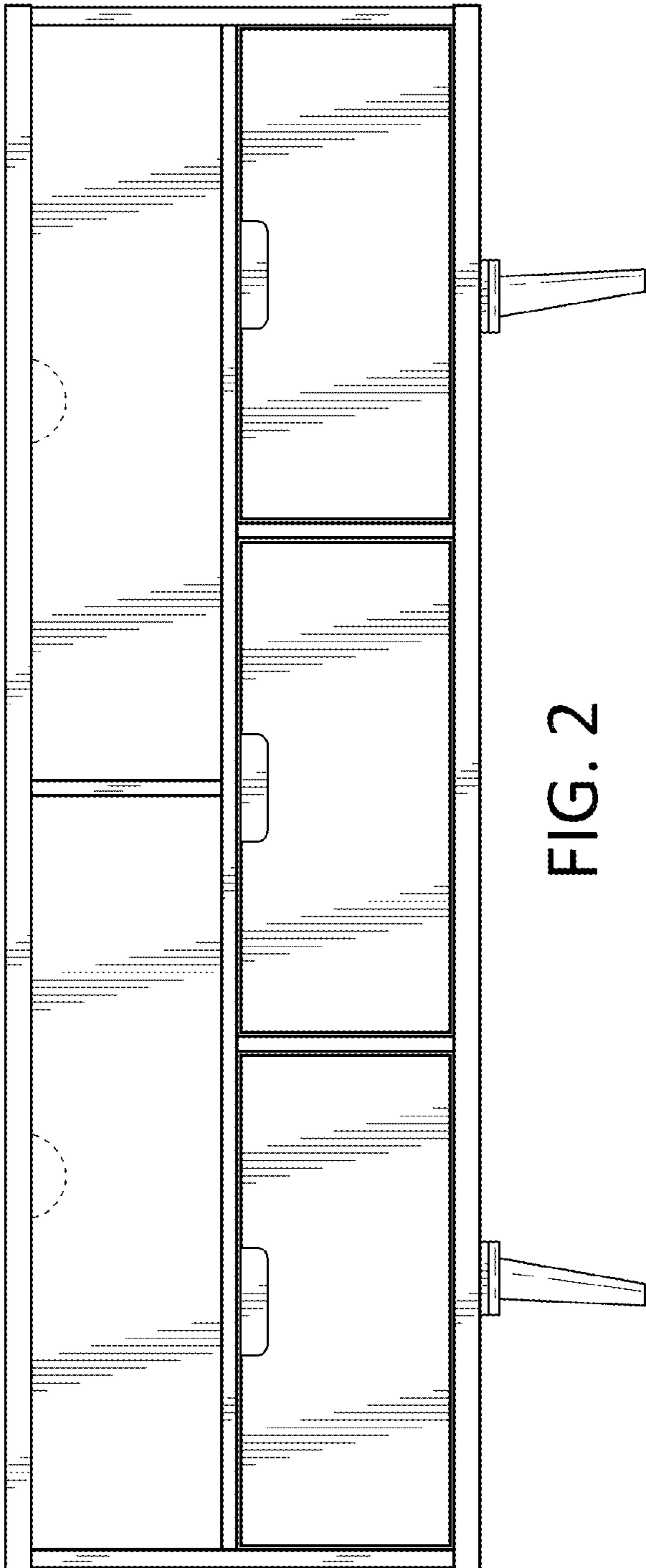


FIG. 2

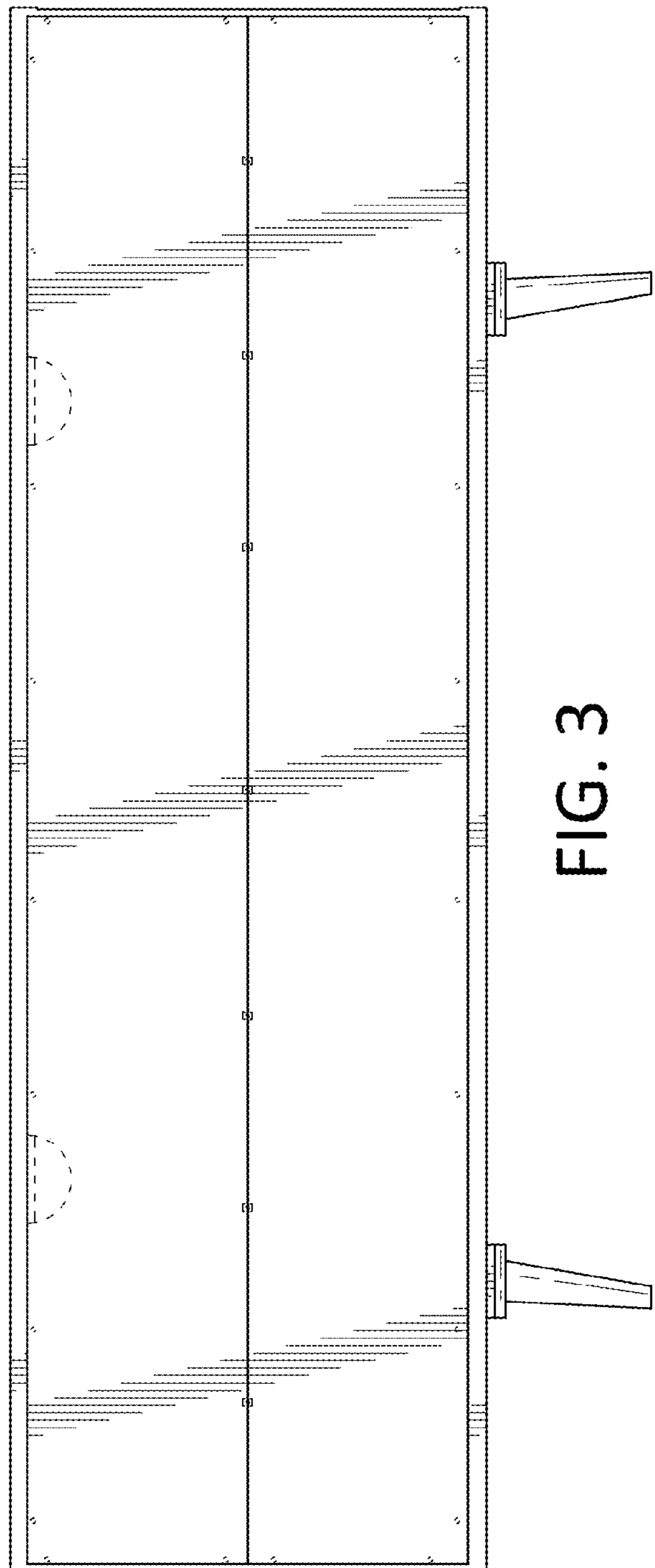


FIG. 3

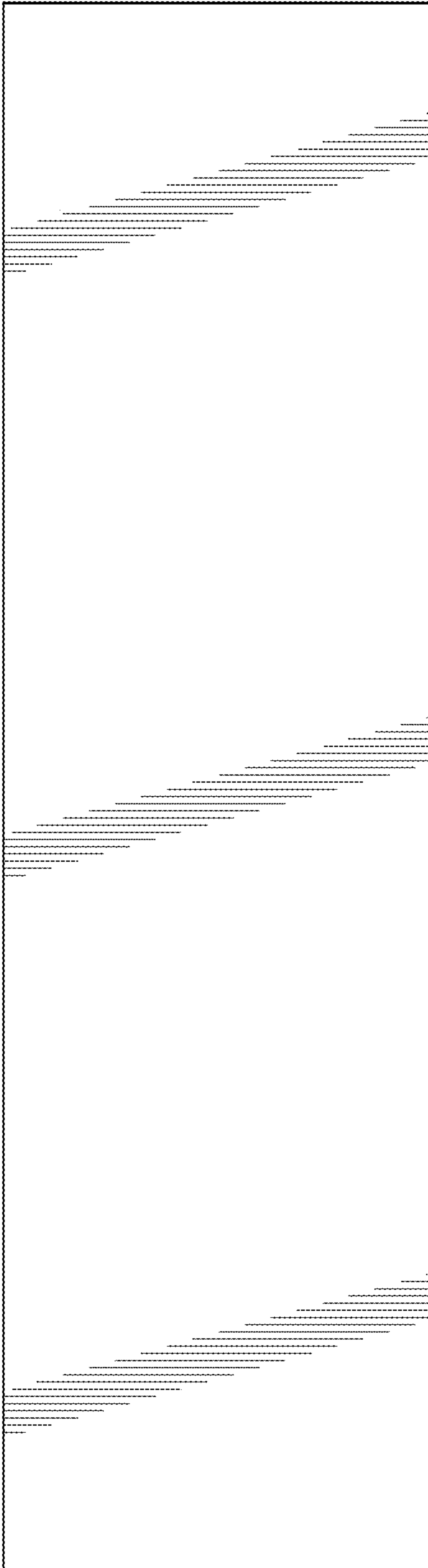


FIG. 4

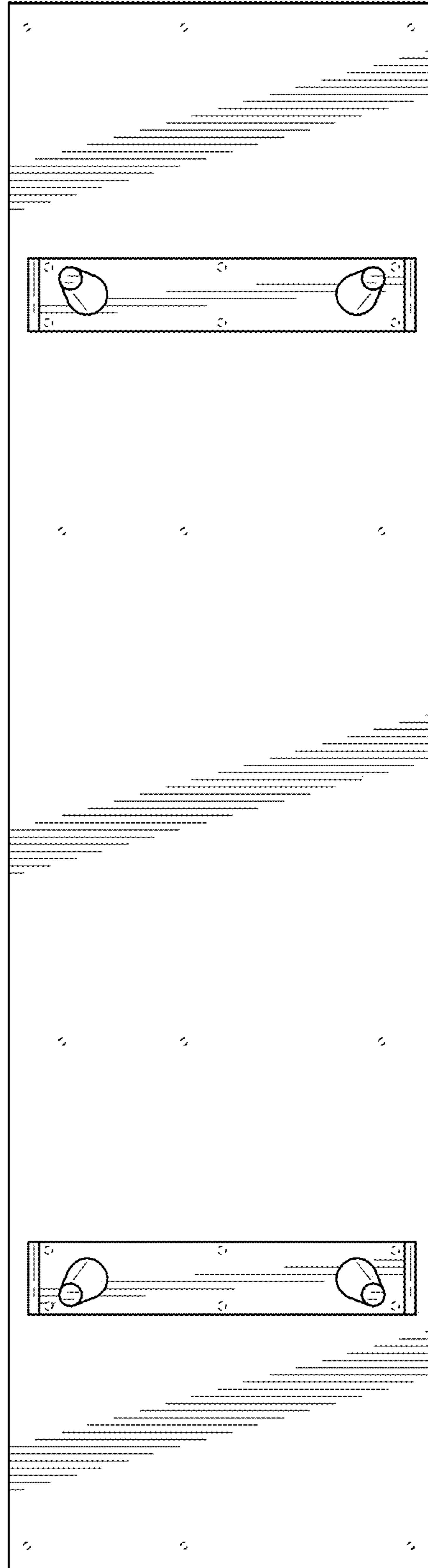


FIG. 5

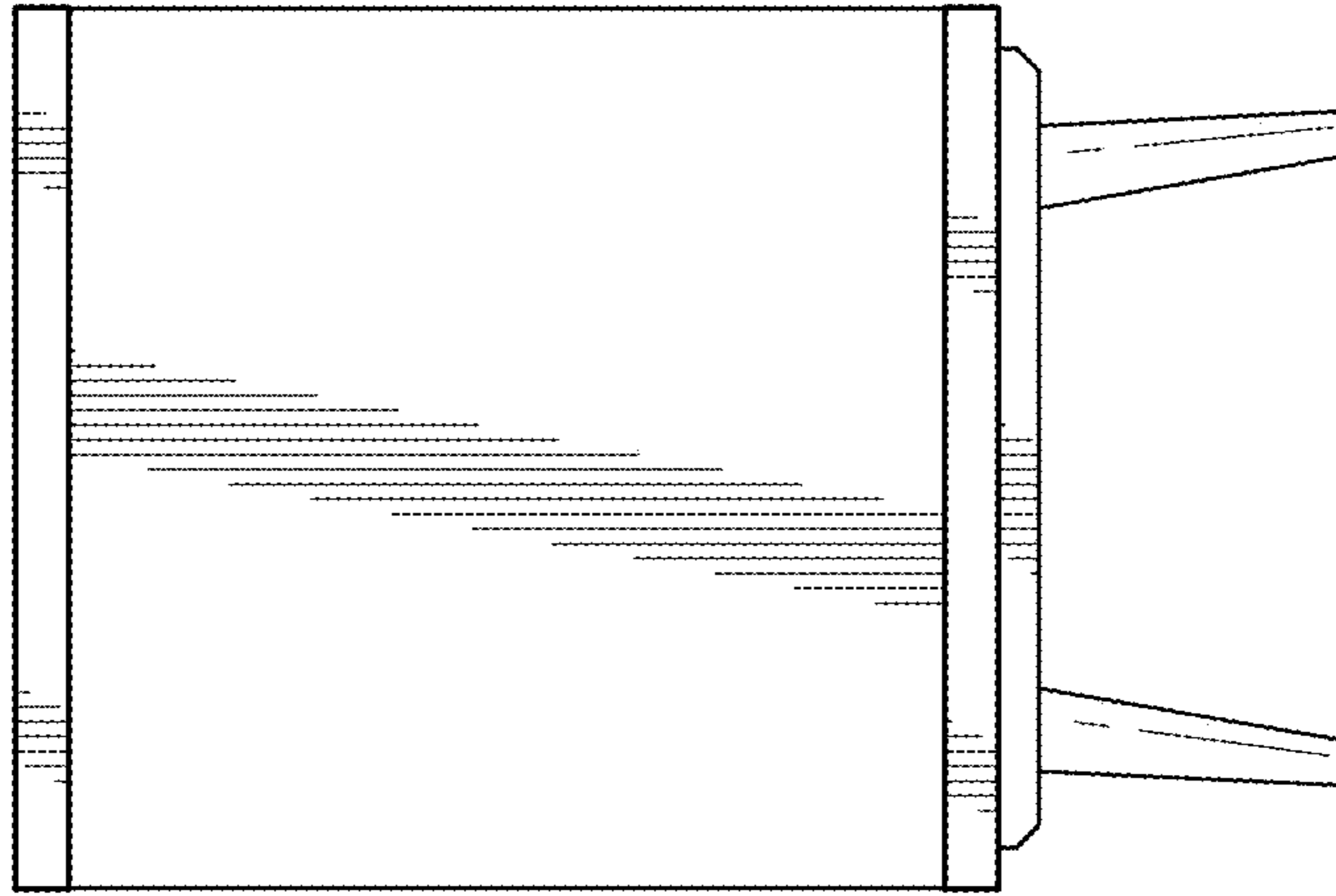


FIG. 6

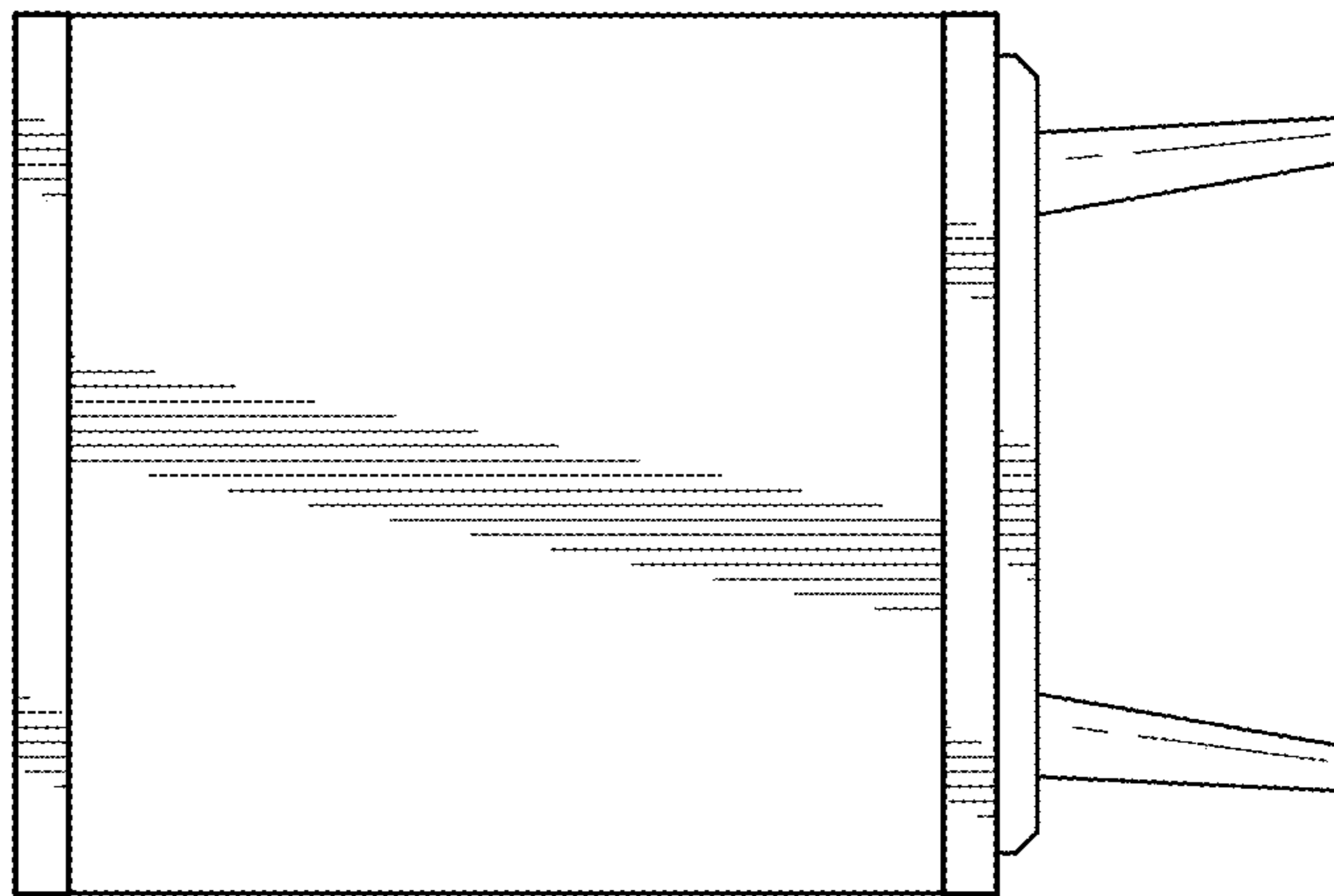


FIG. 7