



US00D906013S

(12) **United States Design Patent**
Chunyu

(10) **Patent No.:** **US D906,013 S**

(45) **Date of Patent:** **** Dec. 29, 2020**

(54) **PREGNANCY PILLOW**

(71) Applicant: **Lianghao Chunyu, Tai'an (CN)**

(72) Inventor: **Lianghao Chunyu, Tai'an (CN)**

(**) Term: **15 Years**

(21) Appl. No.: **29/700,079**

(22) Filed: **Jul. 31, 2019**

(51) **LOC (12) Cl.** **06-09**

(52) **U.S. Cl.**
USPC **D6/601**

(58) **Field of Classification Search**
USPC D6/595-601, 604, 606; D24/183, 190;
D21/803, 809
CPC A47C 20/00; A47C 20/021; A47C 7/742;
A47C 7/021; A47D 15/001; A47D
15/008; A47G 9/00; A47G 9/10; B62J
1/26

See application file for complete search history.

(56) **References Cited**

U.S. PATENT DOCUMENTS

6,052,848	A *	4/2000	Kelly	A47C 20/021	5/630
6,499,164	B1 *	12/2002	Leach	A47C 20/021	5/630
D530,136	S *	10/2006	Toth	D6/601	
7,353,552	B2 *	4/2008	Leach	A47C 20/021	5/632
7,513,001	B1 *	4/2009	Leach	A47C 27/086	5/632
7,793,371	B1 *	9/2010	Leach	A47C 20/025	5/632

D755,541	S *	5/2016	Blay	D6/601	
D768,409	S *	10/2016	Park	D6/601	
D850,817	S *	6/2019	Tong	D6/601	
D864,611	S *	10/2019	Gao	D6/601	
10,736,444	B1 *	8/2020	Leach	A61G 7/065	
D896,549	S	9/2020	Rozon			
2006/0042012	A1	3/2006	Littlehorn			
2008/0148487	A1 *	6/2008	Lord	A47C 20/027	5/632
2013/0232691	A1 *	9/2013	Saul	A47C 20/023	5/632
2015/0173524	A1 *	6/2015	McQuilton	A47D 15/00	5/652.1

* cited by examiner

Primary Examiner — Jennifer L Rempfer

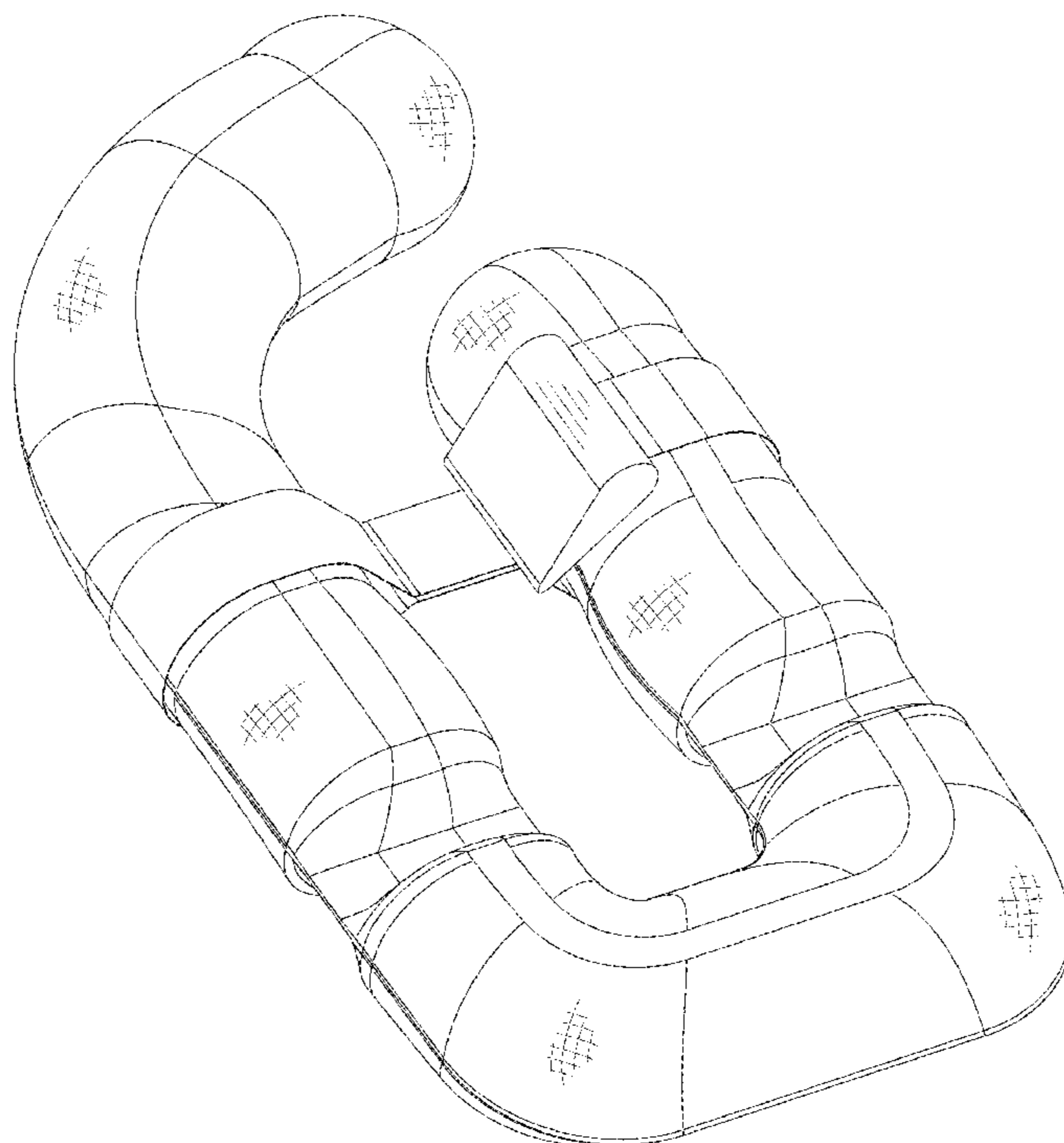
(57) **CLAIM**

The ornamental design for a pregnancy pillow, as shown and described.

DESCRIPTION

FIG. 1 is a rear perspective view of the pregnancy pillow showing my new design;
FIG. 2 is a front perspective view thereof;
FIG. 3 is a front elevational view thereof;
FIG. 4 is a rear elevational view thereof;
FIG. 5 is a left side elevational view thereof;
FIG. 6 is a right side elevational view thereof;
FIG. 7 is a top plan view thereof; and,
FIG. 8 is a bottom plan view thereof.
The broken lines show environmental subject matter that form no part of the claim.

1 Claim, 7 Drawing Sheets



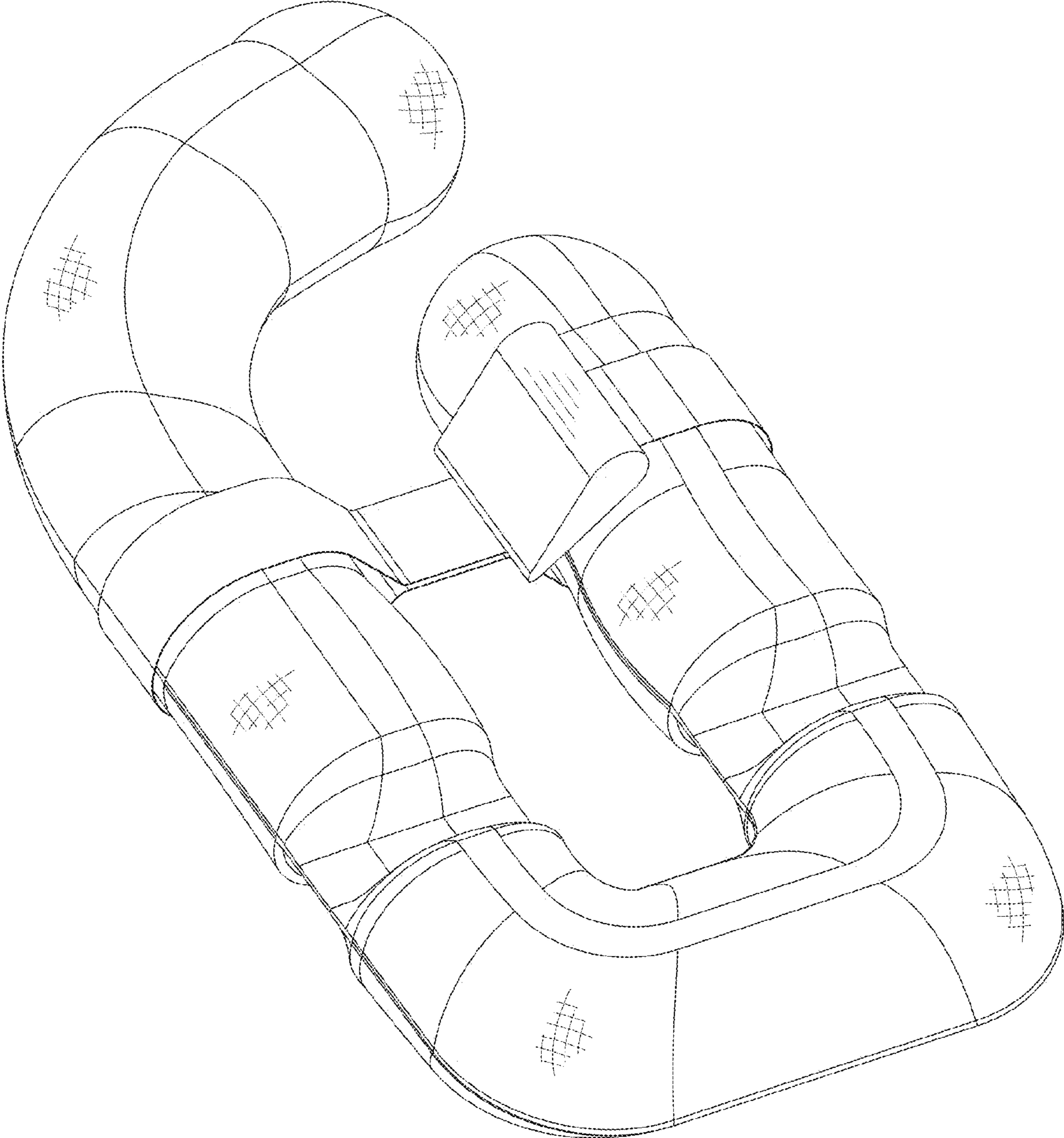


FIG. 1

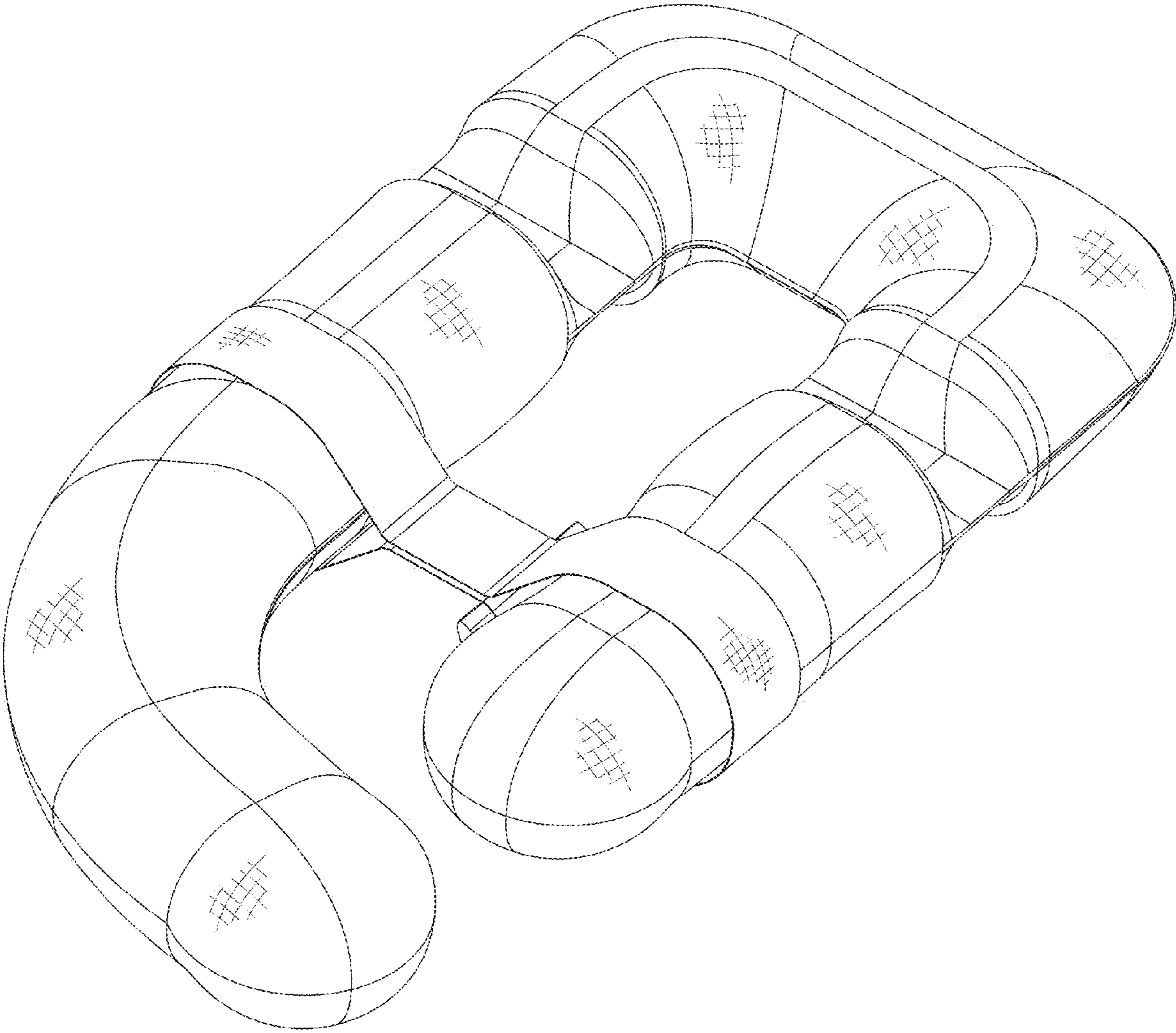


FIG. 2

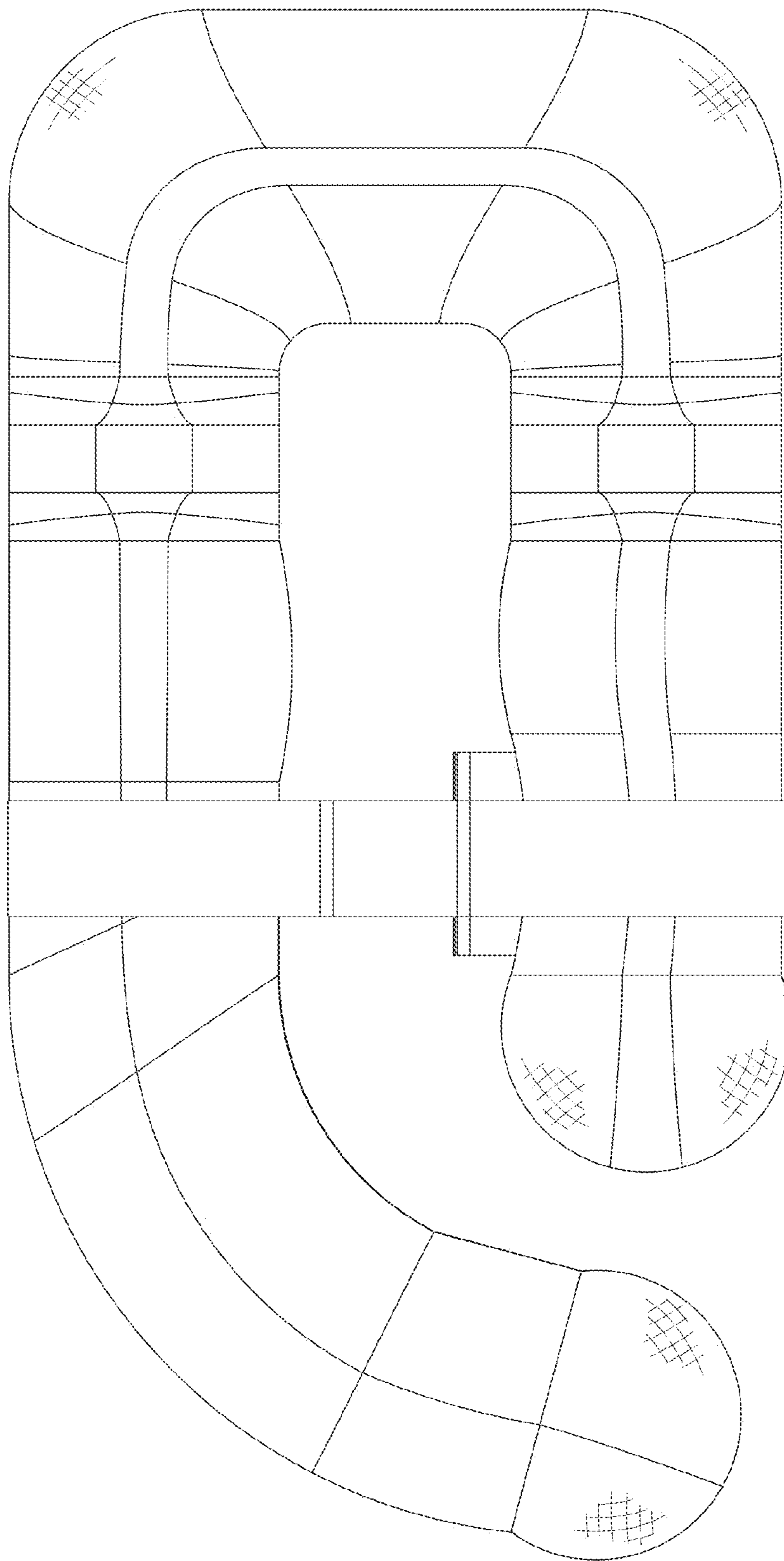


FIG. 3

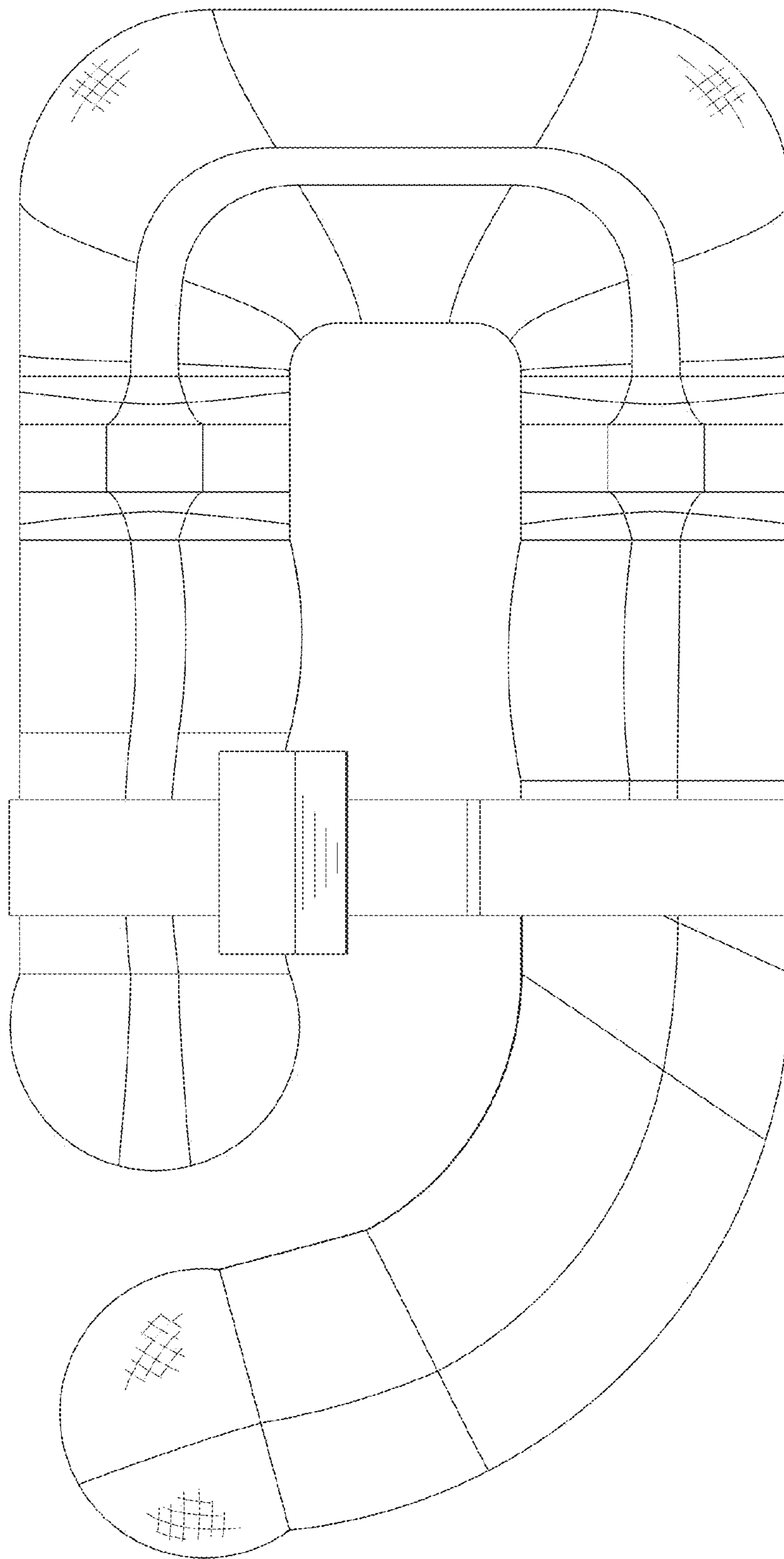


FIG. 4

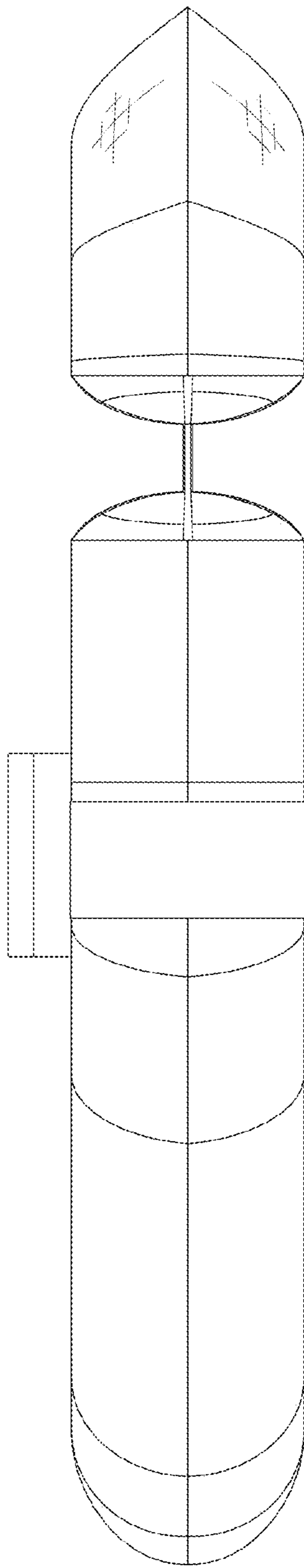


FIG. 5

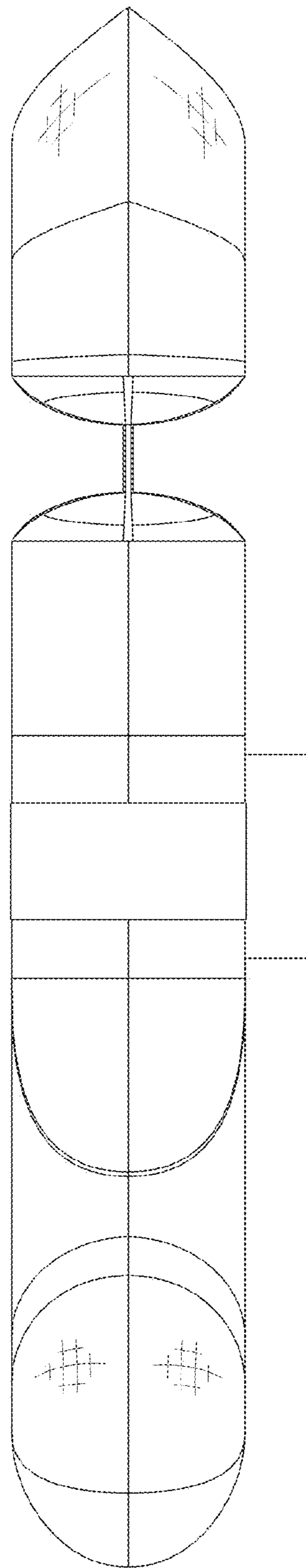


FIG. 6

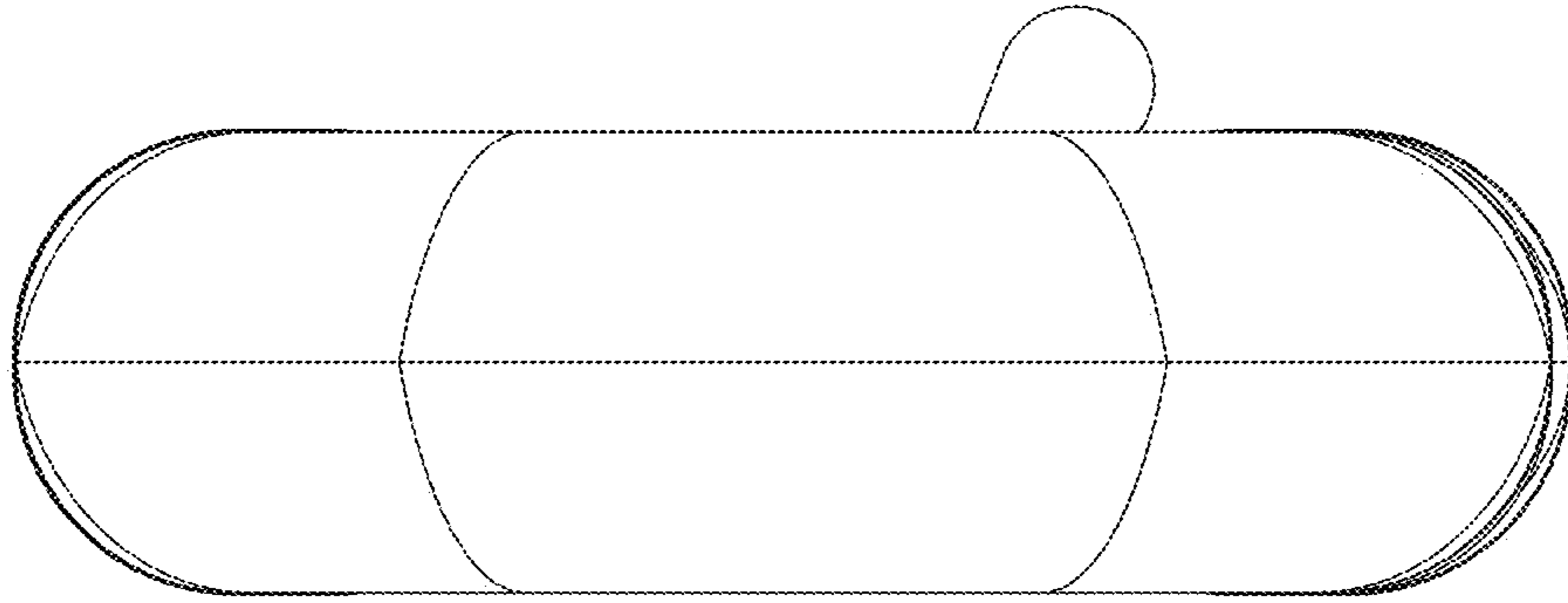


FIG. 7

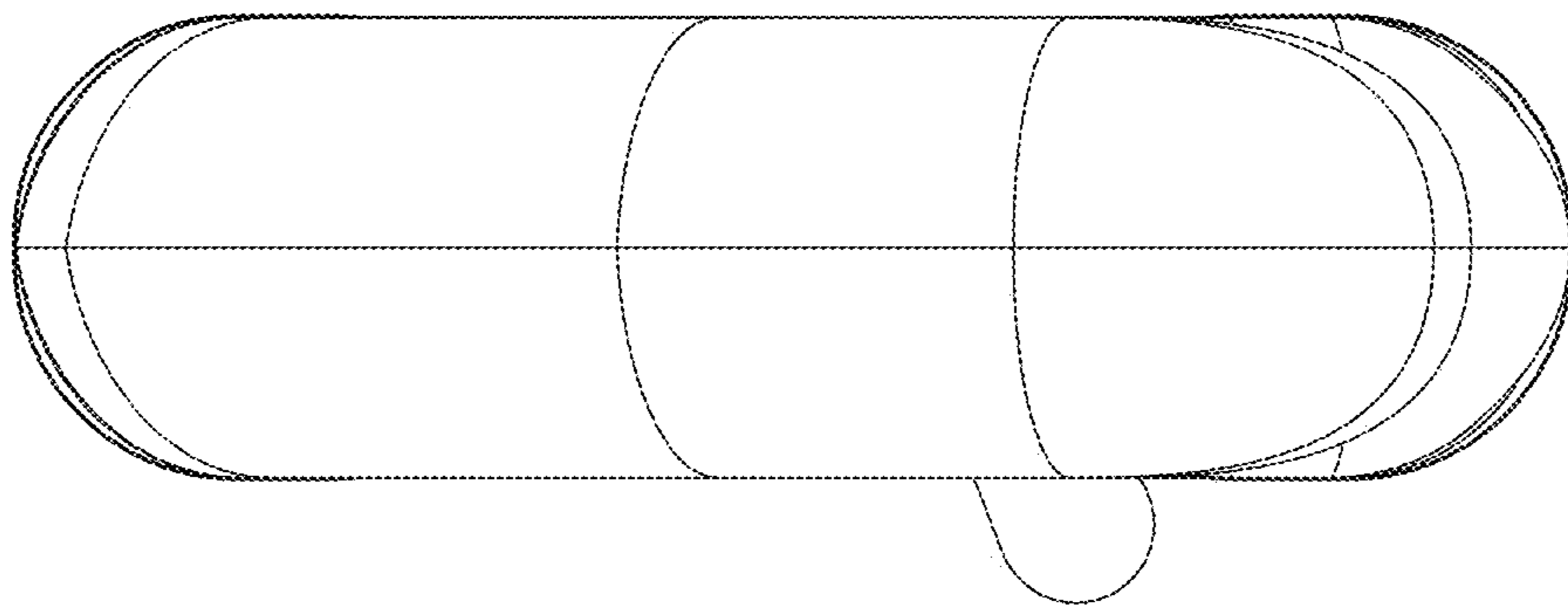


FIG. 8