

US00D906010S

(12) **United States Design Patent**
Wendling

(10) **Patent No.:** **US D906,010 S**

(45) **Date of Patent:** **** Dec. 29, 2020**

(54) **SET OF CORNER DEVICES FOR A FLOOR COVERING**

(71) Applicant: **Allan Wendling**, New Lothrop, MI (US)

(72) Inventor: **Allan Wendling**, New Lothrop, MI (US)

(**) Term: **15 Years**

(21) Appl. No.: **29/709,677**

(22) Filed: **Oct. 16, 2019**

Related U.S. Application Data

(63) Continuation-in-part of application No. 29/678,684, filed on Jan. 30, 2019, now Pat. No. Des. 873,050.

(51) **LOC (12) Cl.** **06-11**

(52) **U.S. Cl.**
USPC **D6/587**

(58) **Field of Classification Search**
USPC D6/331, 582, 583, 585-589, 591, 592;
D8/394; D12/203, 608; D19/9, 10, 37,
(Continued)

(56) **References Cited**

U.S. PATENT DOCUMENTS

441,099 A * 11/1890 Hoyt A63F 9/02
273/353

632,911 A 9/1899 Berry
(Continued)

OTHER PUBLICATIONS

Make Your Own Bench Cookies for Cheap with Lee Valley Bench Pucks. Toolguyd.com. Sep. 8, 2011. Accessed on Feb. 12, 2020. (Year: 2011).*

(Continued)

Primary Examiner — Kevin K Rudzinski

Assistant Examiner — Clare Ann Gannon

(74) *Attorney, Agent, or Firm* — Dinsmore & Shohl LLP

(57) **CLAIM**

The ornamental design for a set of corner devices for a floor covering, as shown and described.

DESCRIPTION

FIG. 1 is a perspective view of a first embodiment of a set of corner devices for a floor covering showing my new design in a position of use on an environmental floor covering, which is shown pulled back by a user;

FIG. 2 is a bottom plan view thereof, shown in a disassembled configuration;

FIG. 3 is a top plan view thereof, shown in the disassembled configuration;

FIG. 4 is a front elevation view thereof, shown in the disassembled configuration;

FIG. 5 is a bottom plan view thereof, shown in an assembled configuration;

FIG. 6 is a top plan view thereof, shown in the assembled configuration;

FIG. 7 is a perspective view of another embodiment of a set of corner devices for a floor covering, showing my new design in a position of use on an environmental floor covering, which is shown pulled back by a user;

FIG. 8 is a bottom plan view thereof, shown in a disassembled configuration;

FIG. 9 is a top plan view thereof, shown in the disassembled configuration;

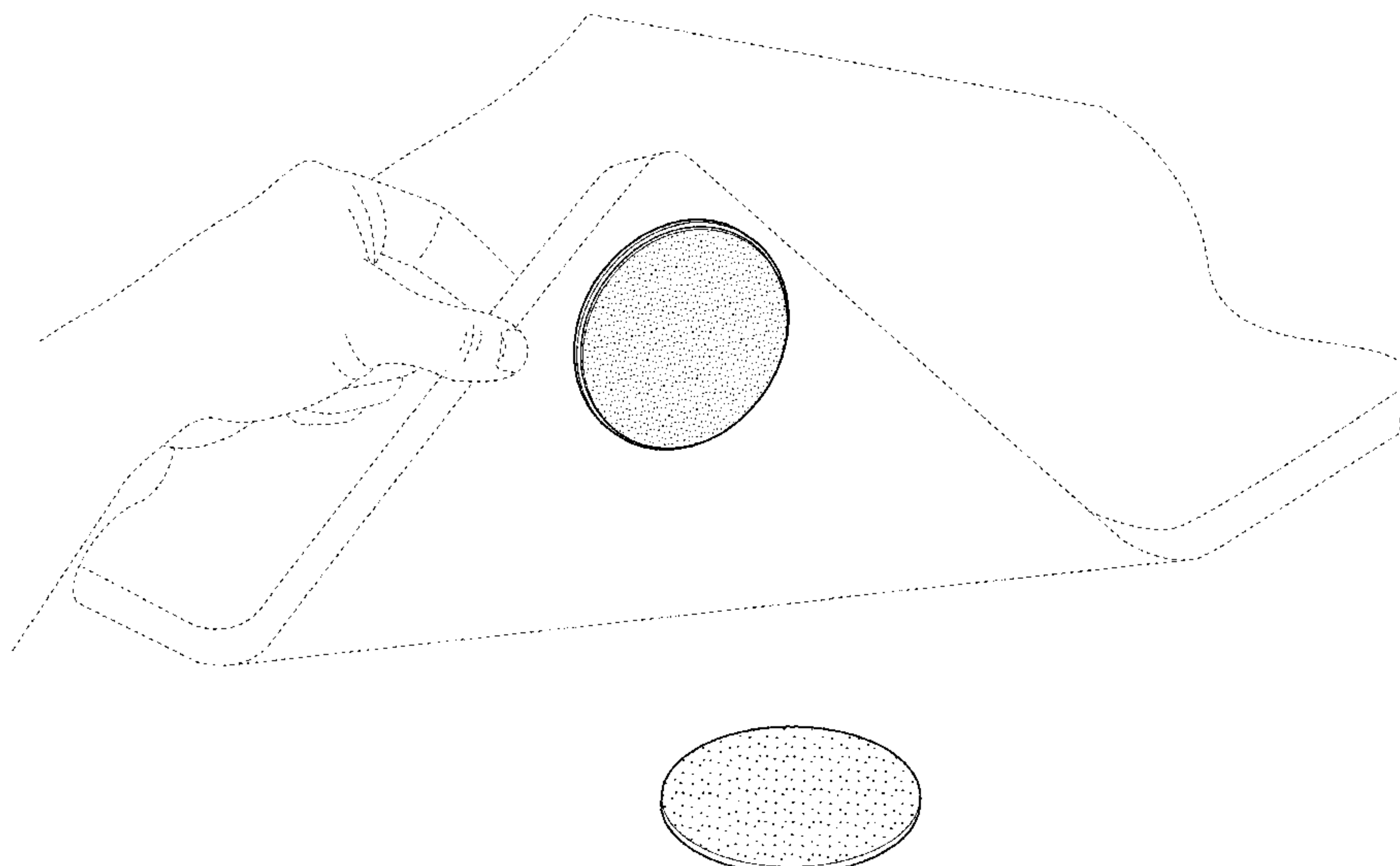
FIG. 10 is a front elevation view thereof, shown in the disassembled configuration;

FIG. 11 is a bottom plan view thereof, shown in an assembled configuration; and,

FIG. 12 is a top plan view thereof, shown in the assembled configuration.

The broken lines in the drawings depict environment that forms no part of the claim.

1 Claim, 8 Drawing Sheets



(58) **Field of Classification Search**
 USPC D19/113; D21/686, 780; D23/261, 361;
 D30/161; D32/57
 CPC A47G 27/02; A47G 27/0206; A47G
 27/0212; A47G 27/0218; A47G 27/0225;
 A47G 27/0231; A47G 27/0237; A47G
 27/0275; A47G 27/0293; A47G 9/062;
 A47K 3/002; A63B 6/00; A63B 21/4037;
 E04F 2201/095; G09B 19/0015; A01K
 1/0158; B60B 39/00
 See application file for complete search history.

(56) **References Cited**

U.S. PATENT DOCUMENTS

882,859 A 3/1908 Ammerman
 922,703 A 5/1909 Knapp
 1,182,764 A 5/1918 Harral
 1,430,981 A 10/1922 Goldthwaite
 1,509,047 A 9/1924 Lindhorst
 1,526,261 A 2/1925 Wachs
 1,573,828 A 2/1926 Hamilton
 1,598,127 A 8/1926 Fleming
 2,030,649 A * 2/1936 Miller A47B 91/04
 16/42 R
 2,042,692 A 6/1936 Wurzburg
 2,236,465 A 3/1941 Carlson
 2,736,976 A * 3/1956 Richthamer A47G 1/0633
 40/776
 4,217,164 A * 8/1980 La Mers B65C 9/1884
 156/495
 4,464,834 A * 8/1984 Simms H01R 31/00
 29/854
 4,597,206 A * 7/1986 Benson A44C 3/001
 24/103
 4,681,786 A 7/1987 Brown
 RE32,929 E * 5/1989 Ewing C09J 7/0275
 206/460
 4,998,319 A 3/1991 Ford
 5,411,167 A * 5/1995 Weder A01G 5/04
 220/485
 5,469,599 A * 11/1995 Wurdack A47B 91/002
 16/42 R
 5,712,767 A * 1/1998 Koizumi H01L 23/04
 361/761
 5,966,757 A * 10/1999 Sullivan A47G 9/062
 5/417
 6,022,617 A 2/2000 Calkins
 6,120,565 A * 9/2000 Dix H01M 4/0411
 29/623.1
 6,124,017 A 9/2000 Sokol, Jr. et al.
 6,216,315 B1 4/2001 Fuzzell
 6,230,446 B1 5/2001 Chalich
 6,385,812 B1 5/2002 Iverson

6,558,786 B1 5/2003 Jupina
 6,901,629 B2 * 6/2005 Wurdack A47B 91/002
 16/42 R
 D616,020 S * 5/2010 Hoppus H01M 4/0411
 D19/9
 D638,526 S * 5/2011 Newman A47G 9/062
 D23/303
 D639,408 S * 6/2011 Newman H01L 23/04
 D23/304
 D669,759 S * 10/2012 Castilleja A01G 5/04
 D8/354
 8,438,701 B2 * 5/2013 Bushey A47B 91/06
 16/42 T
 8,485,112 B1 7/2013 Madden
 D763,843 S * 8/2016 Gustaveson, II A44C 3/001
 D14/250
 D764,592 S * 8/2016 Zenoff C09J 7/0275
 D20/42
 D769,144 S * 10/2016 Dingus H01R 31/00
 D10/106.2
 D798,781 S * 10/2017 Adkins B65C 9/1884
 D12/177
 9,894,995 B2 * 2/2018 Downs A47B 91/12
 D827,061 S * 8/2018 Trenkle D21/686
 D864,609 S * 10/2019 Lagun A47G 1/0633
 D6/582
 D873,050 S * 1/2020 Wendling A63F 9/02
 D6/592
 D884,094 S * 5/2020 Huneau D21/686
 D886,492 S * 6/2020 Farkas A47B 91/12
 D6/582
 2002/0020016 A1 * 2/2002 Lyons A47K 17/00
 4/661
 2004/0068830 A1 4/2004 Sandeman
 2004/0093687 A1 5/2004 Bushey
 2004/0123421 A1 7/2004 Biishey
 2005/0257341 A1 11/2005 Chen et al.
 2011/0230313 A1 * 9/2011 Gamboa A63B 23/03541
 482/51
 2012/0073081 A1 3/2012 Crenshaw, Sr.
 2012/0285613 A1 11/2012 Bongiovanni et al.
 2014/0194265 A1 * 7/2014 Torres A63B 23/02
 482/141
 2016/0135633 A1 5/2016 Wendling
 2019/0358482 A1 * 11/2019 Huneau A63B 22/20

OTHER PUBLICATIONS

Self-Stick Non-Slip Surface Grip Pads by SoftTouch. Sold on Amazon.com. Mar. 31, 2009. (Year: 2009).*
 Celebrita Pair of Gliding Discs Core Sliders by Celebrita MMA. Sold on amazon.com. May 17, 2019. Accessed on Aug. 17, 2020. (Year: 2019).*

* cited by examiner

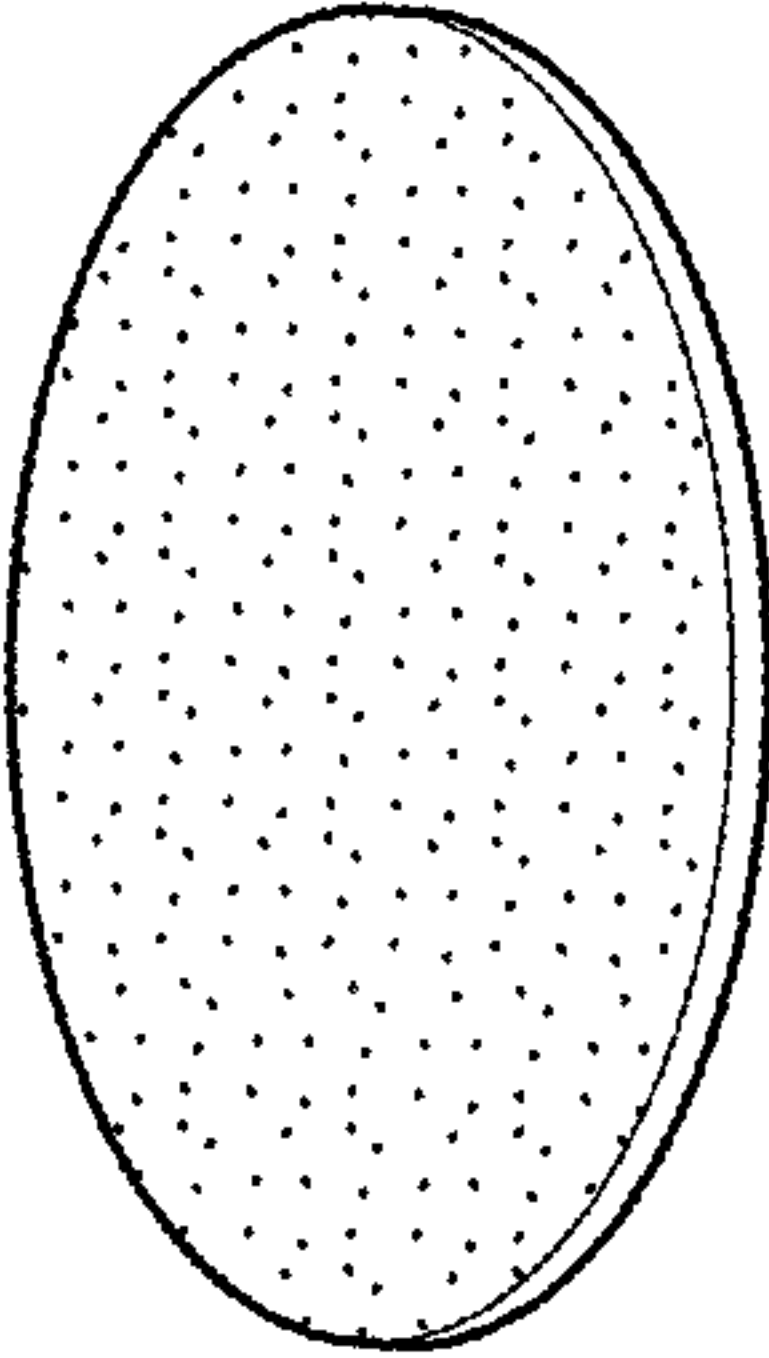
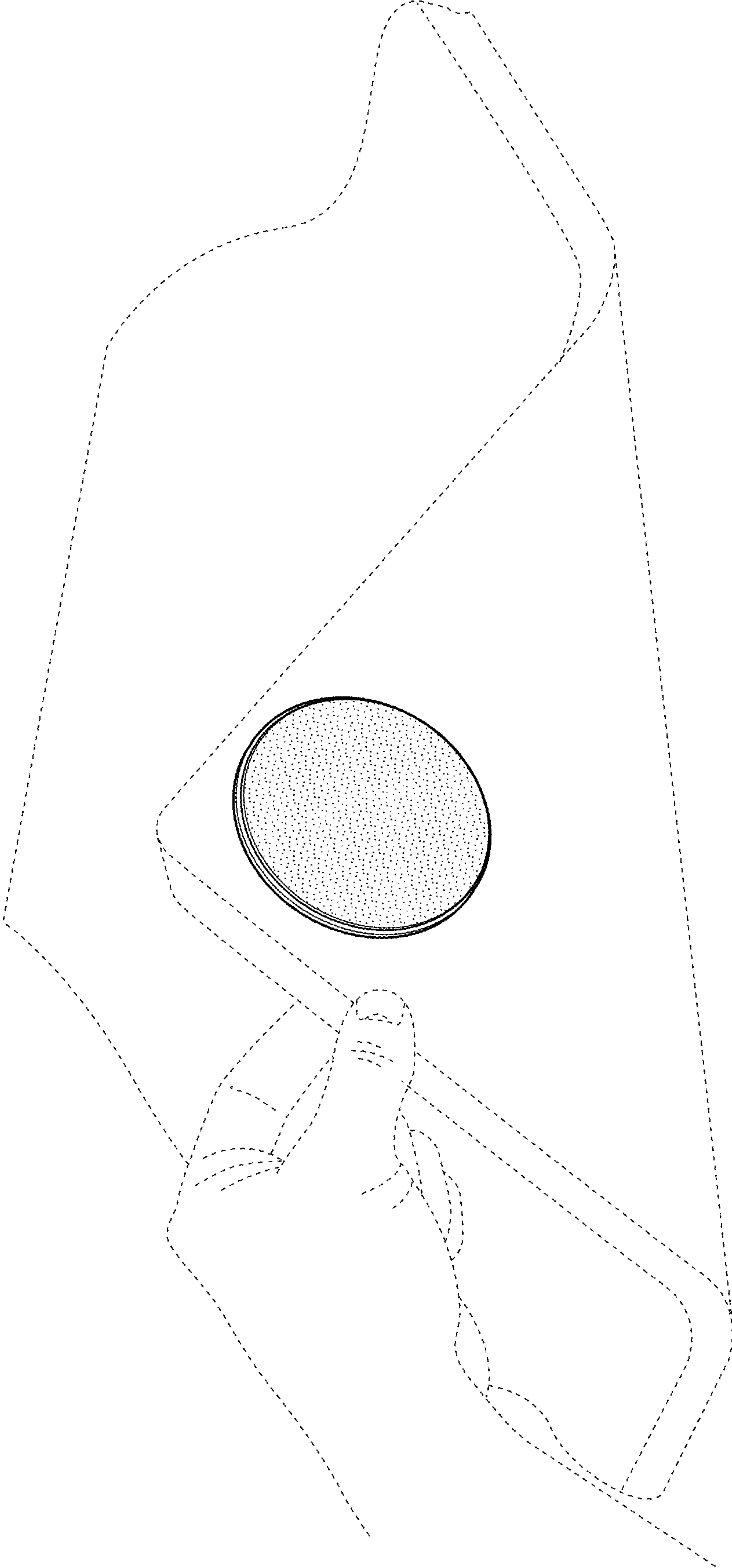


FIG. 1

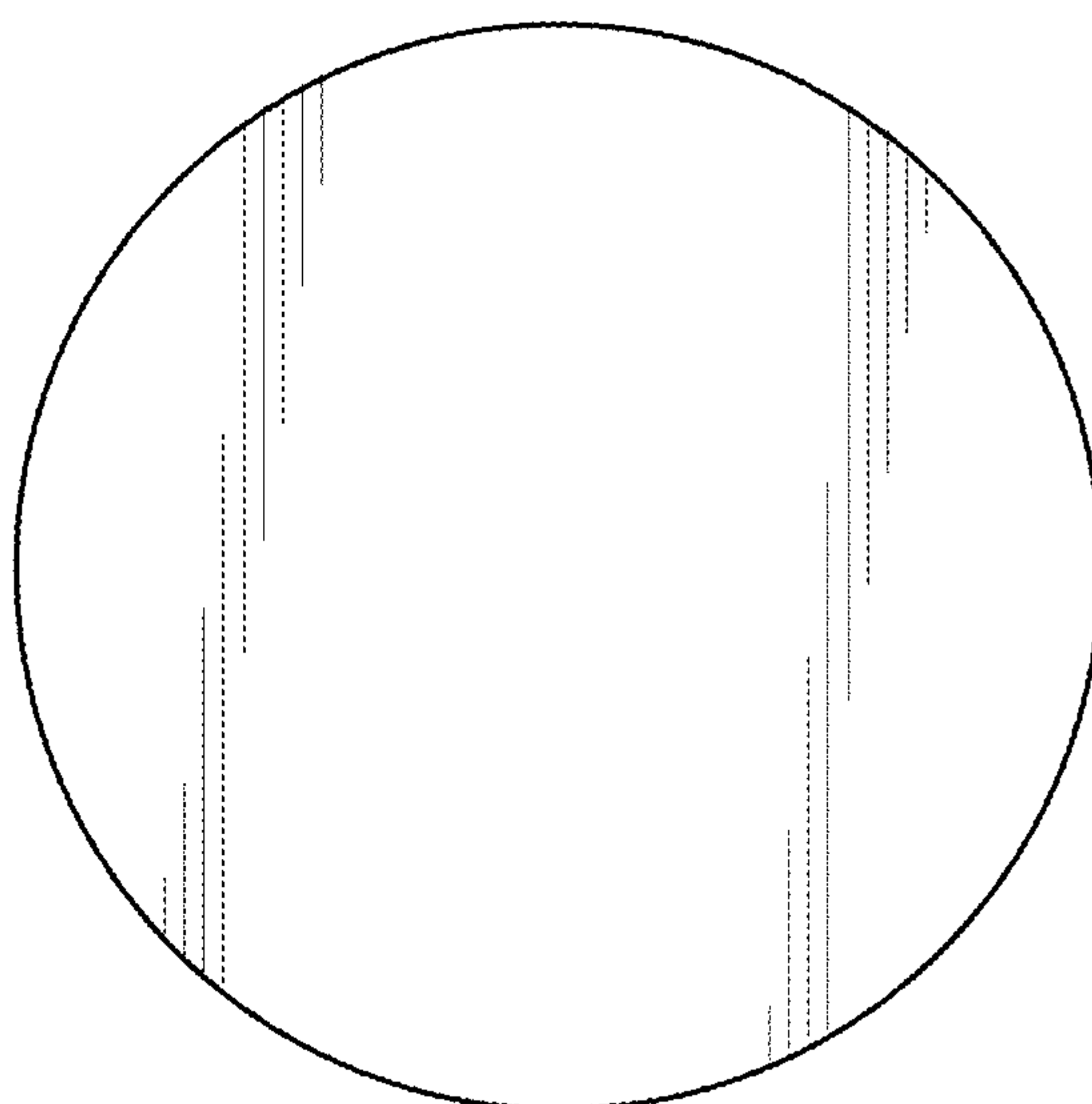
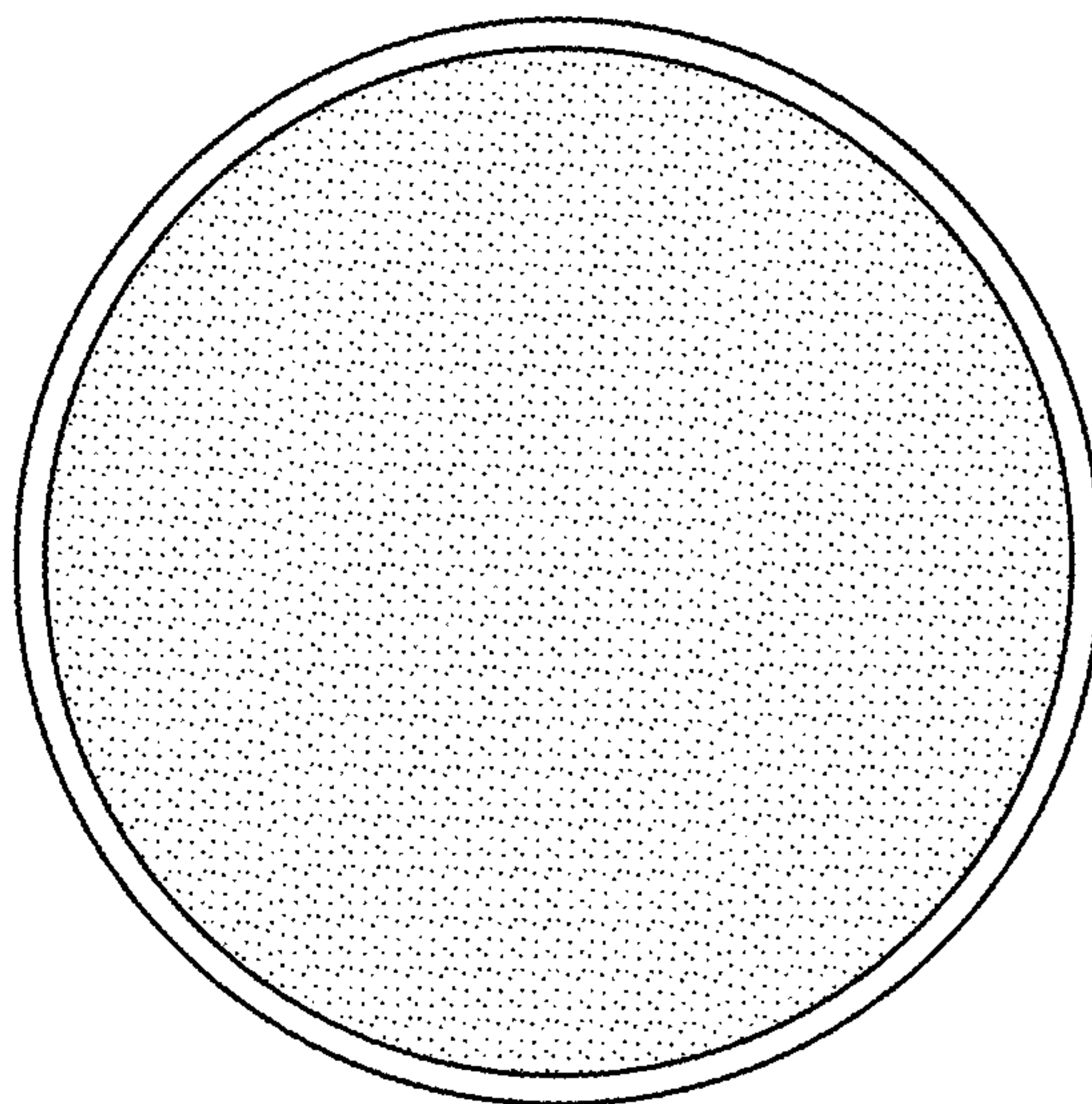


FIG. 2

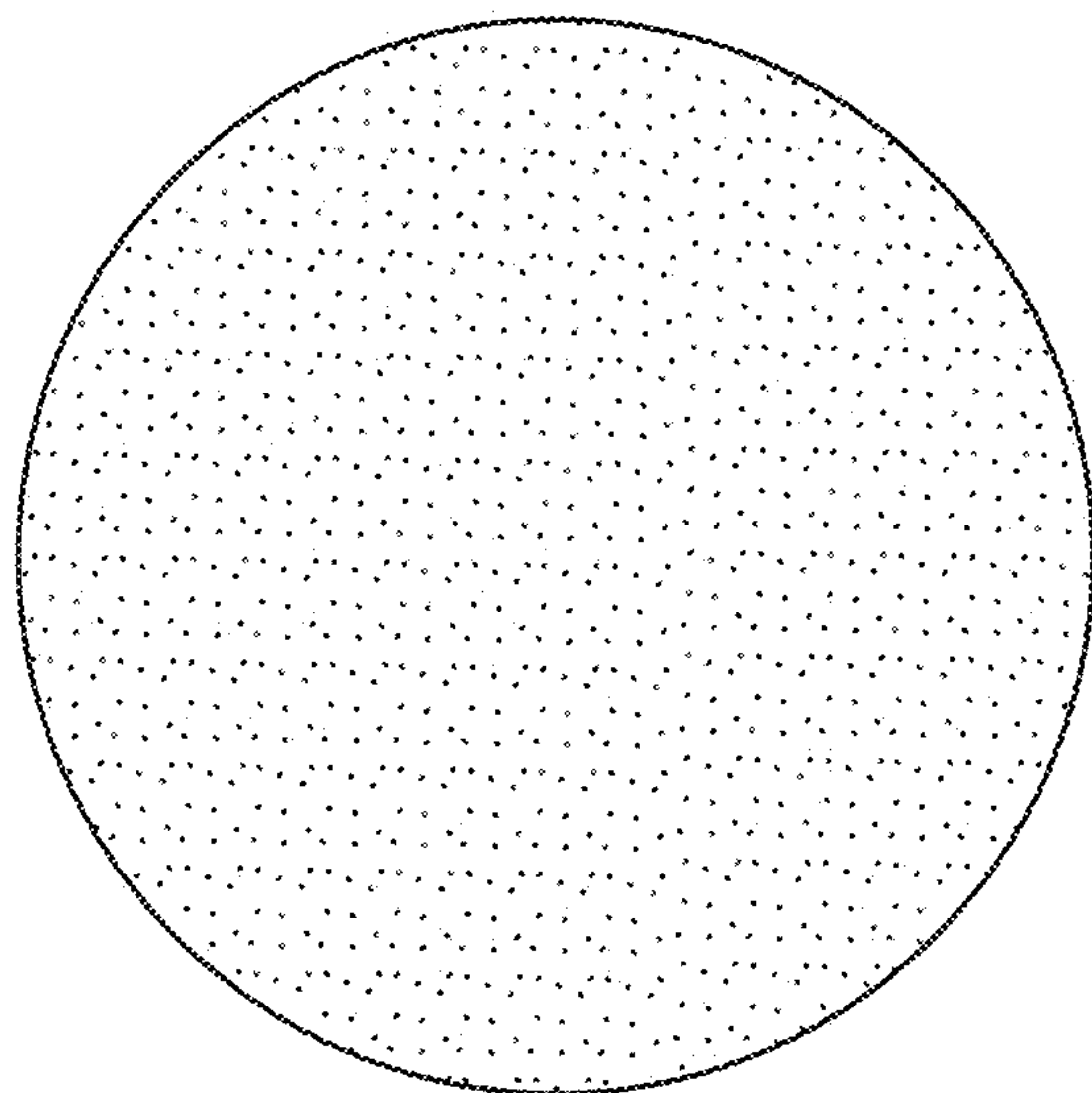
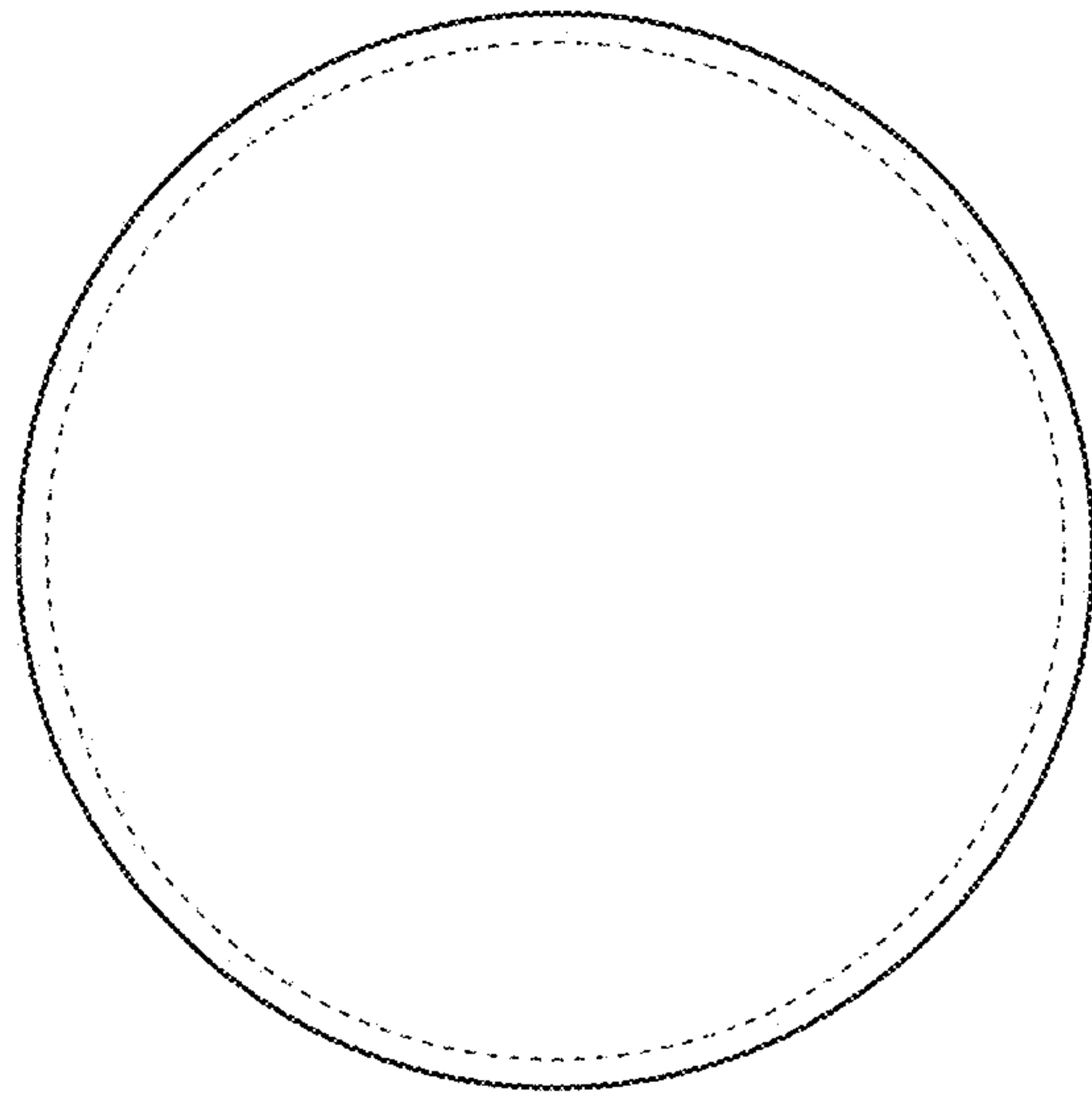


FIG. 3

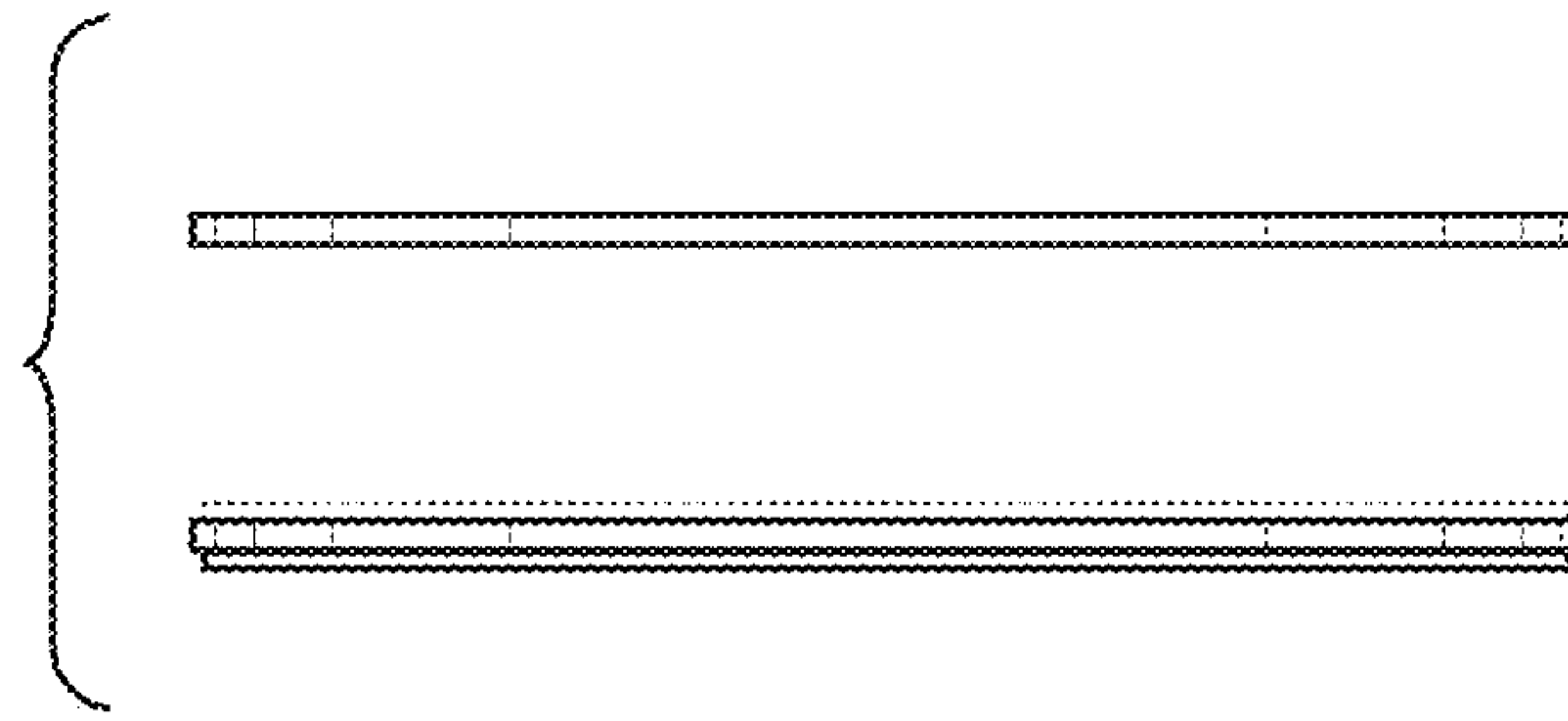


FIG. 4

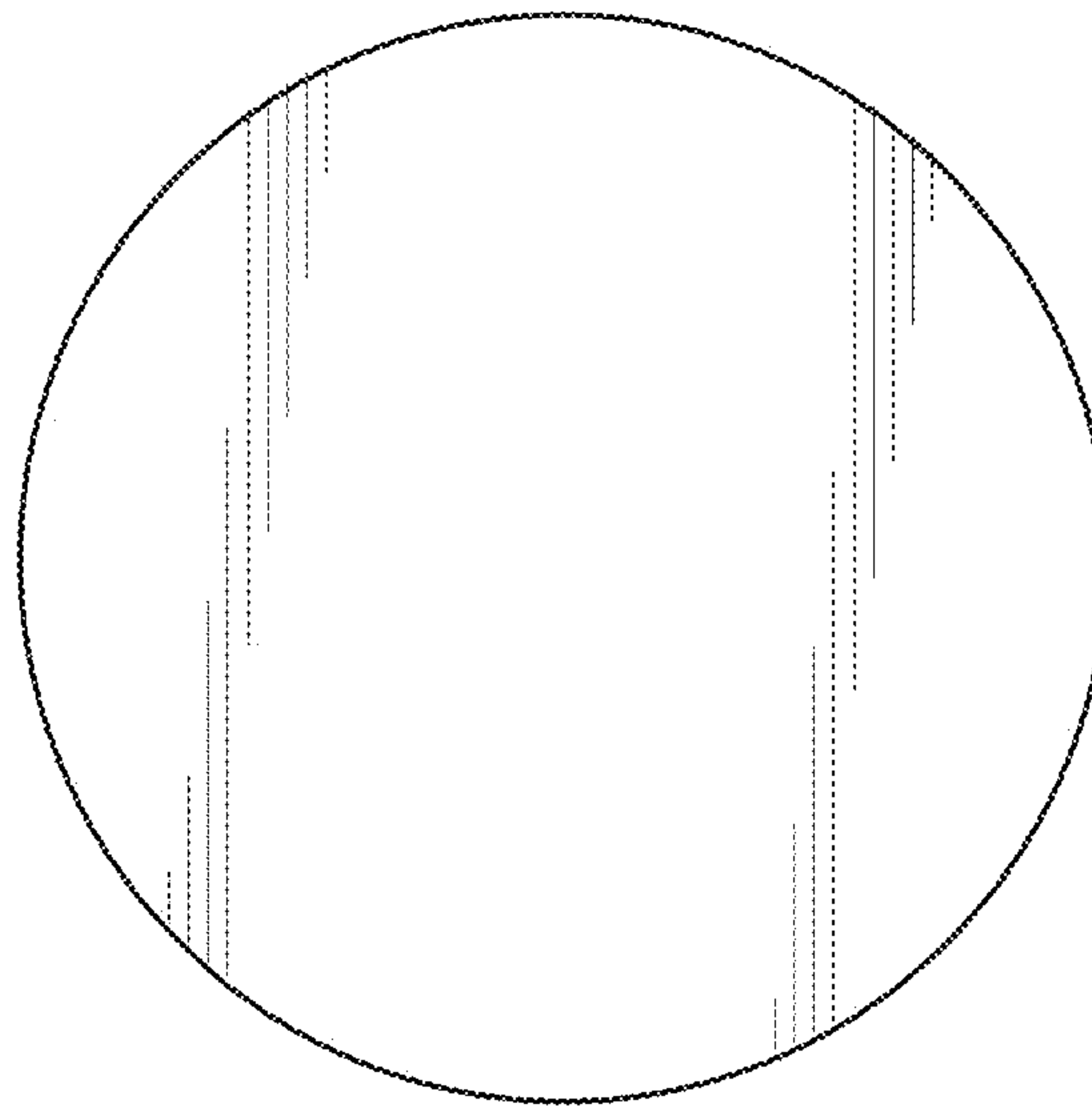


FIG. 5

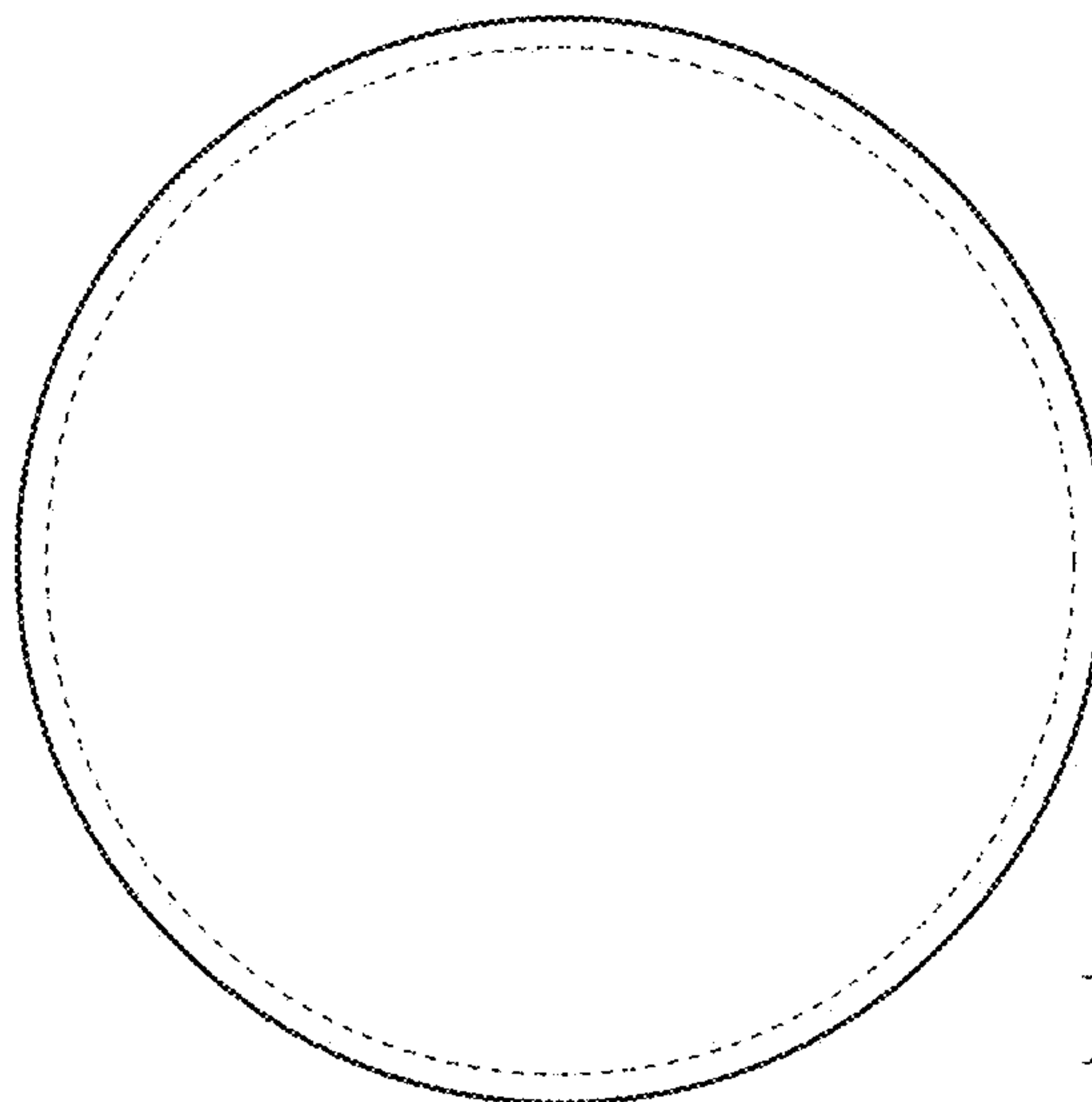


FIG. 6

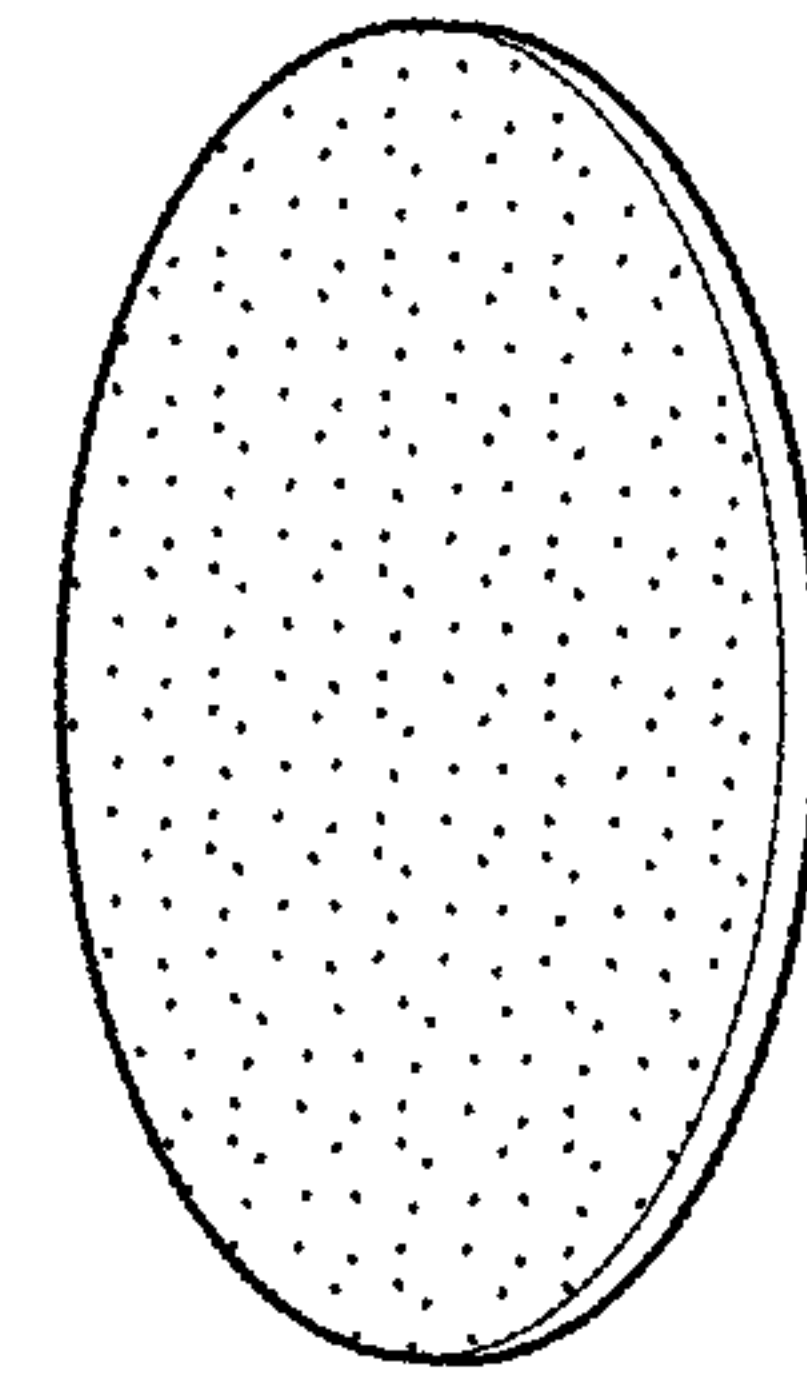
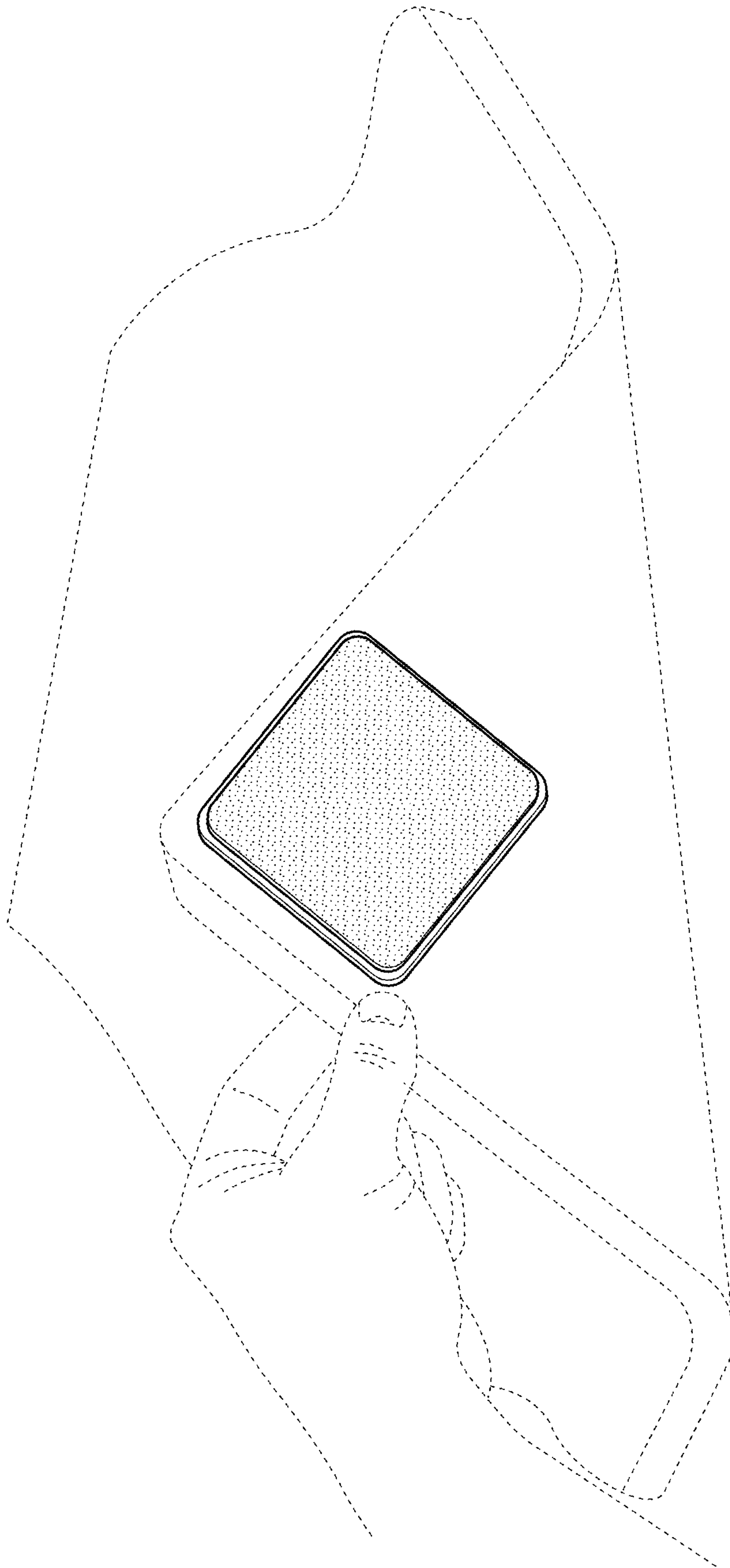


FIG. 7

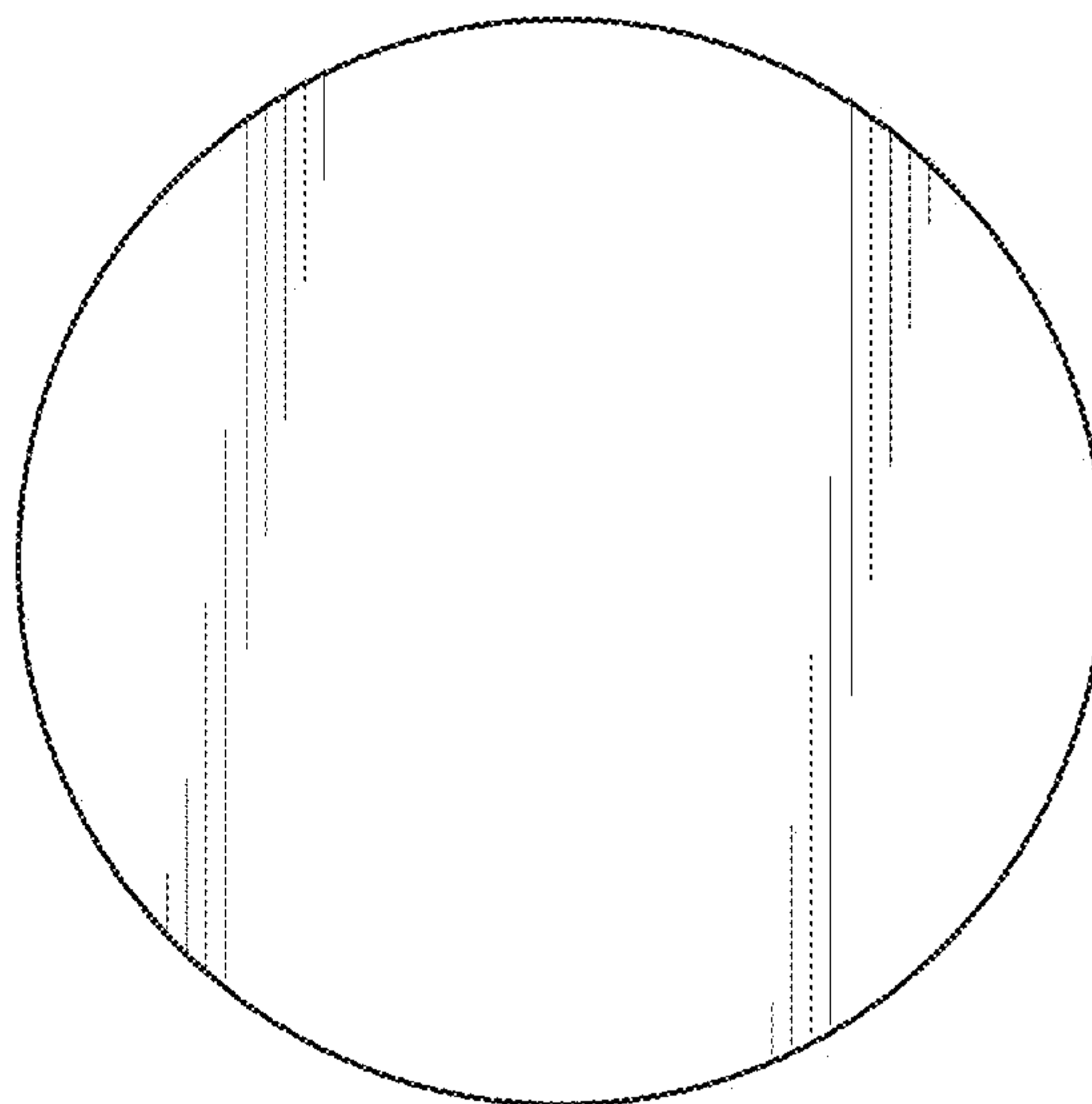
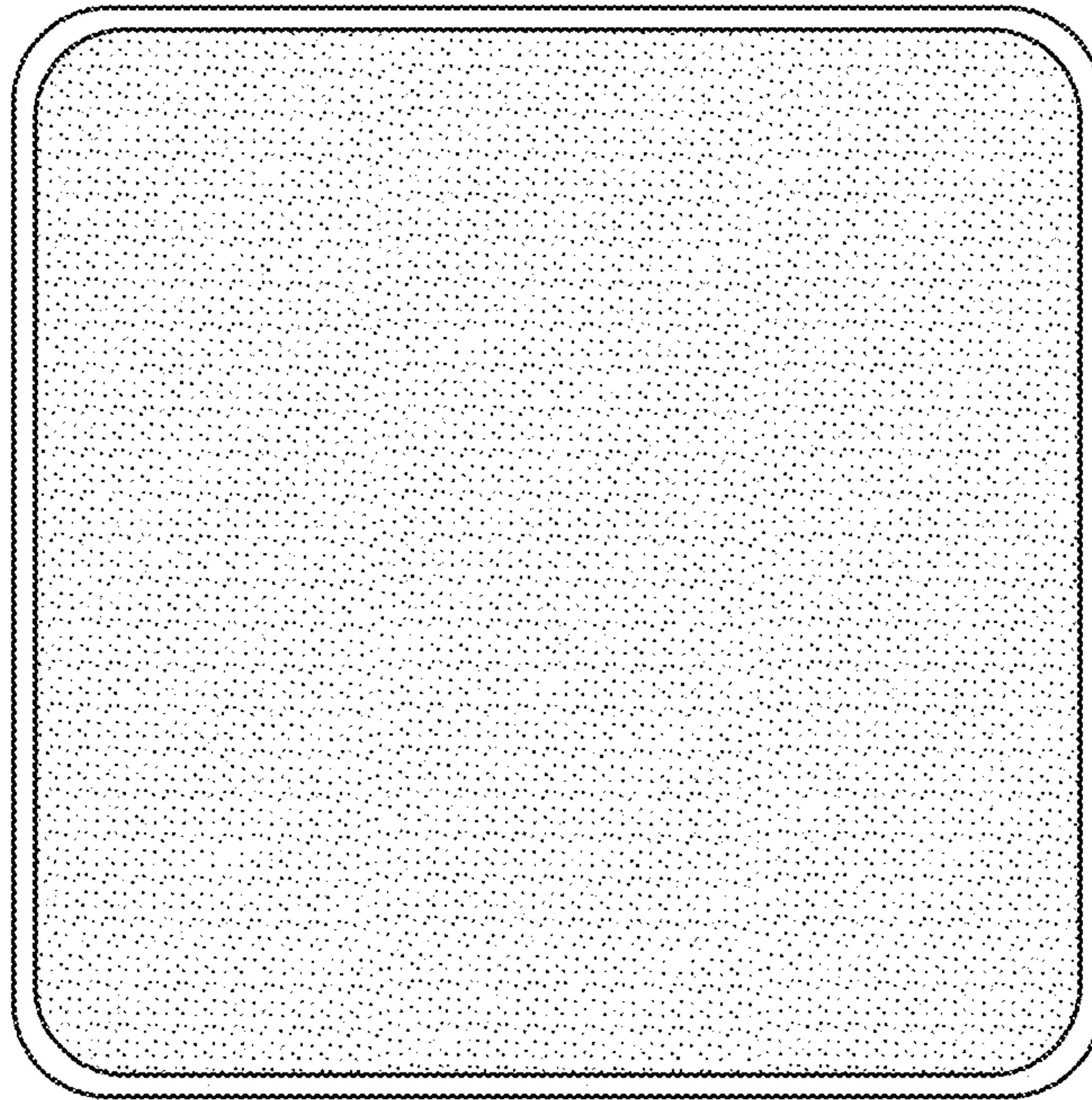


FIG. 8

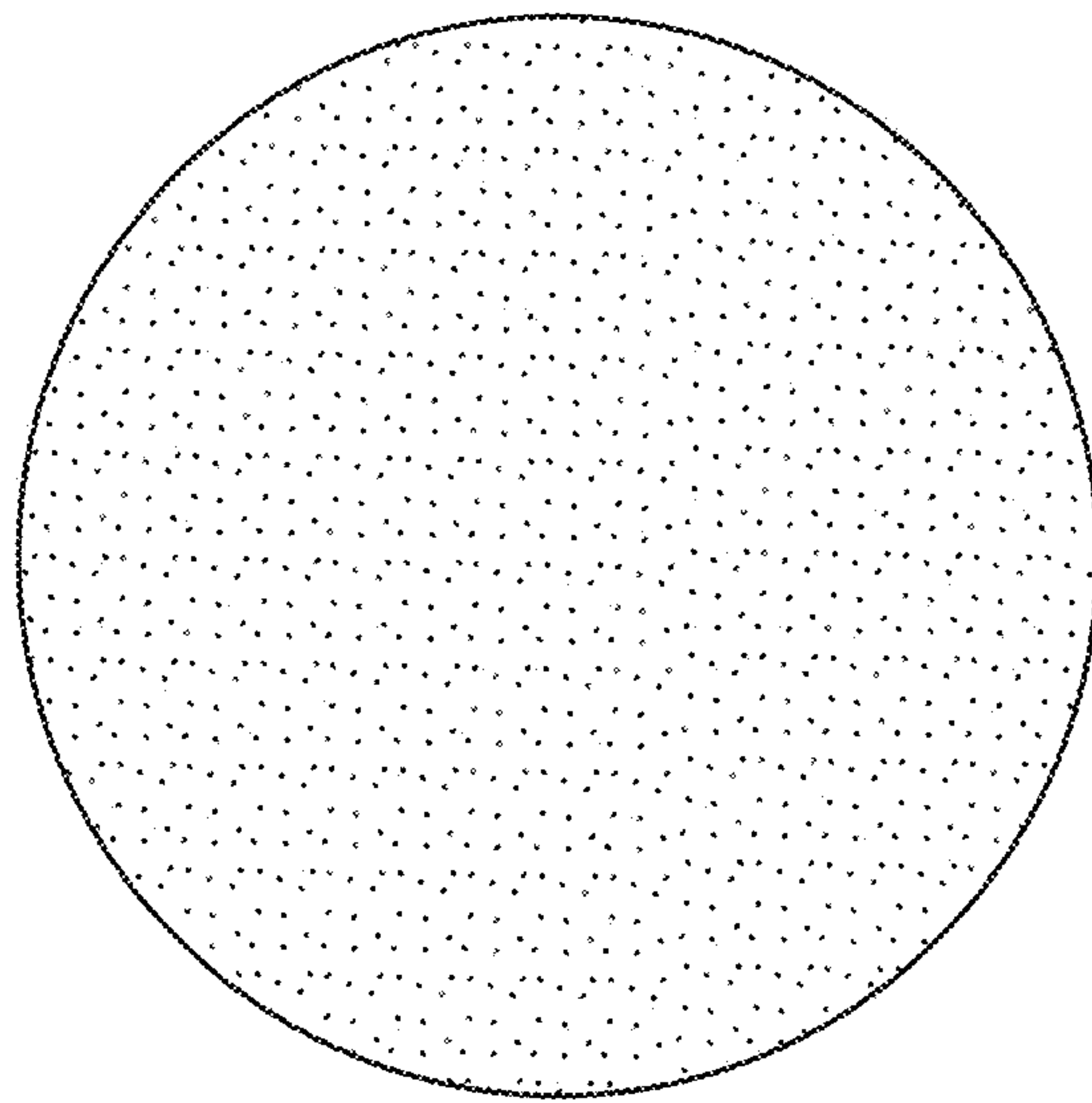
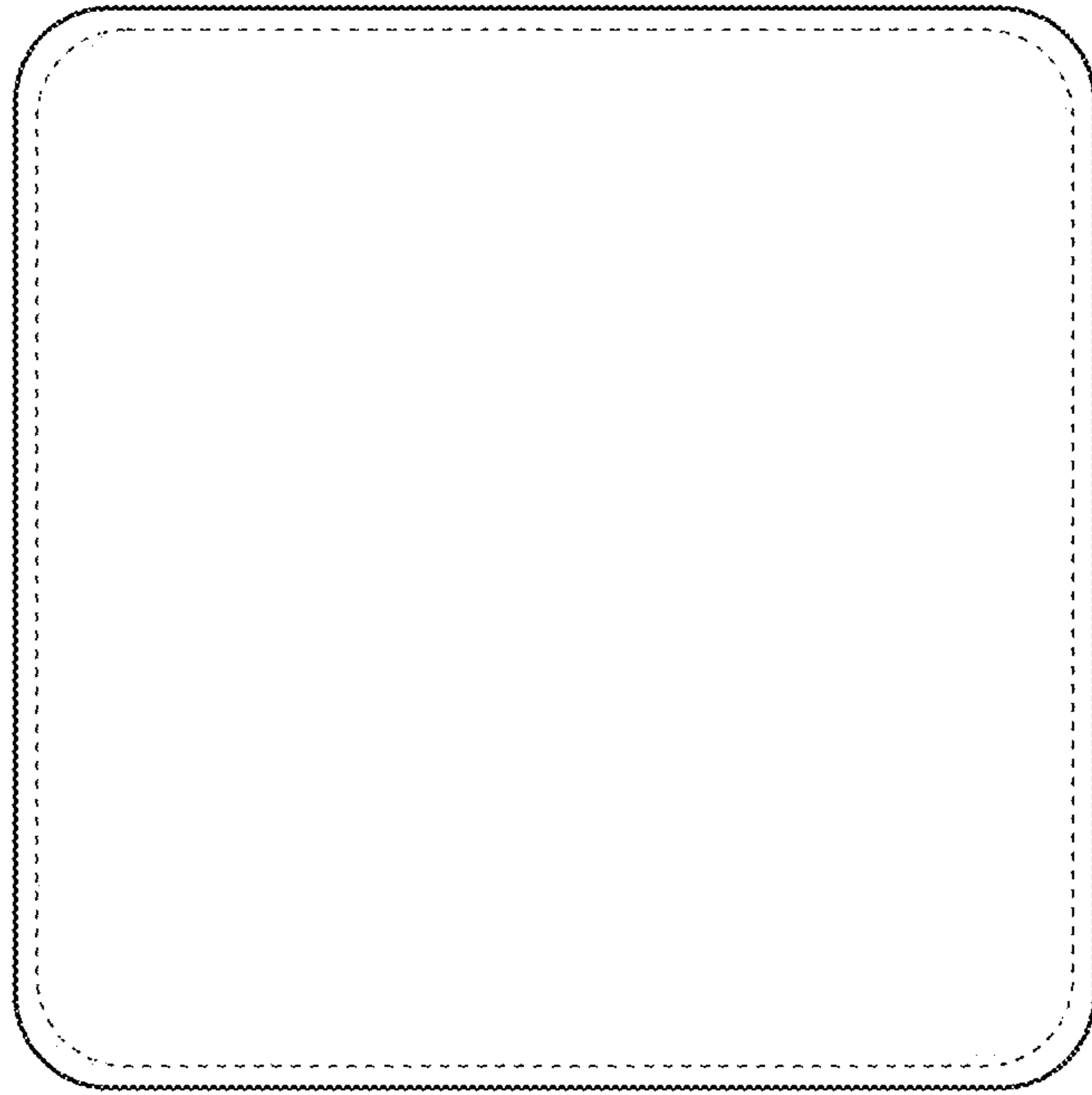


FIG. 9

FIG. 10

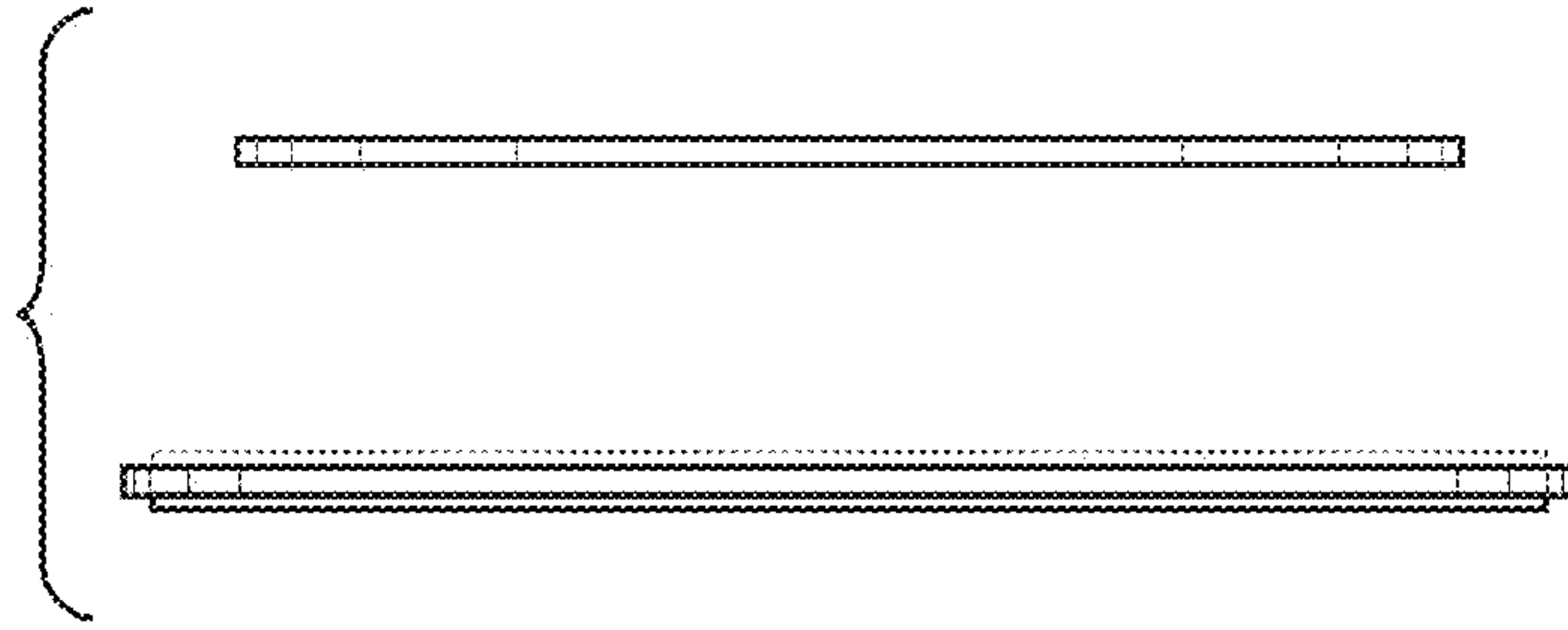


FIG. 11

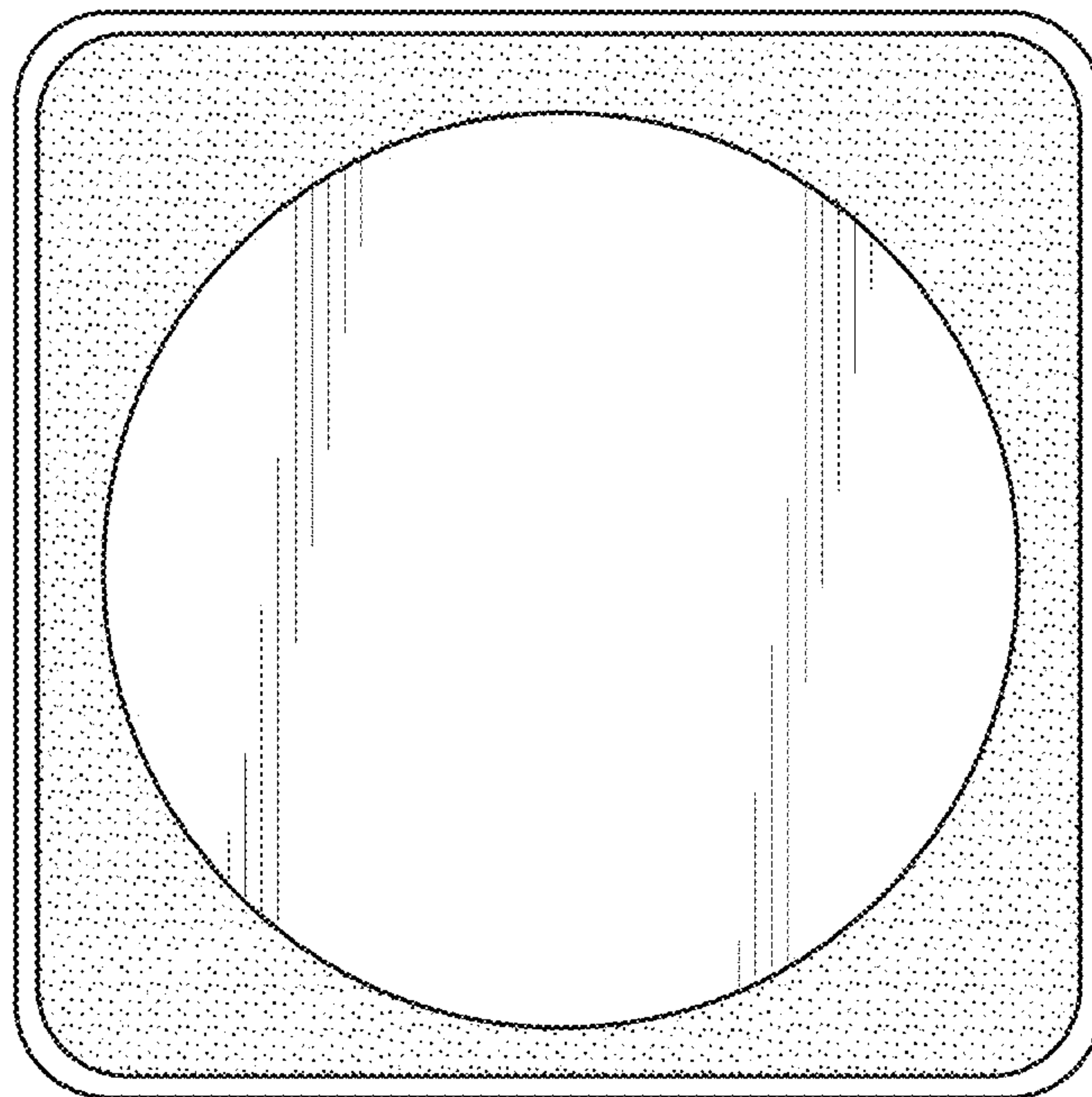


FIG. 12

