



US00D906008S

(12) **United States Design Patent**
Liu

(10) **Patent No.:** **US D906,008 S**

(45) **Date of Patent:** **** Dec. 29, 2020**

(54) **RACK**

(71) Applicant: **Haoliang Liu**, Shenzhen (CN)

(72) Inventor: **Haoliang Liu**, Shenzhen (CN)

(**) Term: **15 Years**

(21) Appl. No.: **29/740,225**

(22) Filed: **Jul. 1, 2020**

(51) **LOC (12) Cl.** **06-04**

(52) **U.S. Cl.**
USPC **D6/549**

(58) **Field of Classification Search**

USPC D6/546–550, 512–525; 211/13.1, 16,
211/85.5, 86.01, 87.01, 88.04, 100, 105.1,
211/105.2, 106, 113, 123, 181.1,
211/182–183; 248/49, 175, 176.1, 200,
248/201, 205.1, 251, 302, 309.1, 315;
242/570, 590, 595–598; D8/300,
D8/315–321, 354, 363, 373, 380;
108/28–29

CPC A47K 10/3836; A47K 10/38
See application file for complete search history.

(56) **References Cited**

U.S. PATENT DOCUMENTS

D449,952 S	*	11/2001	Lyndon	D6/549
D471,075 S	*	3/2003	Fields	D8/316
D478,447 S	*	8/2003	Hoernig	D6/549
D492,530 S	*	7/2004	Chen	D6/549
D503,061 S	*	3/2005	Fuchs	D6/549
D504,804 S	*	5/2005	Chen	D8/316
D516,850 S	*	3/2006	Shieh	D6/549
D540,086 S	*	4/2007	Kirar	D6/549
D540,597 S	*	4/2007	Hoernig	D6/549
D540,599 S	*	4/2007	Krumpe et al.	D6/549
D551,938 S	*	10/2007	Jackson	D8/316

D552,958 S	*	10/2007	Krumpe	D8/316
D560,111 S	*	1/2008	Ricereto	D8/316
D561,556 S	*	2/2008	McConnell	D8/316
D564,336 S	*	3/2008	McConnell	D8/316
D600,961 S	*	9/2009	Krumpe	D6/549
D658,745 S	*	5/2012	Obara	D23/304
D658,746 S	*	5/2012	Obara	D23/304
D670,944 S	*	11/2012	Cittadino	D6/548
D672,990 S	*	12/2012	Lindo	D6/549
D713,651 S	*	9/2014	Gilbert	D6/524
D740,099 S	*	10/2015	Chang	D8/316
D763,010 S	*	8/2016	Tsai	D6/549
D773,207 S	*	12/2016	Tsai	D6/549
D836,945 S	*	1/2019	Rutgers	D6/549
D842,073 S	*	3/2019	Minale	D8/315
D867,262 S	*	11/2019	Eriksson et al.	D6/549
D878,099 S	*	3/2020	Glidewell	D6/549
D879,500 S	*	3/2020	Liu	D6/549
D897,723 S	*	10/2020	Sisto	D6/549
D898,410 S	*	10/2020	Sisto	D6/523

* cited by examiner

Primary Examiner — Nathan M Johnston

(57) **CLAIM**

The ornamental design for a rack, as shown and described.

DESCRIPTION

FIG. 1 is a front perspective view of a rack showing my new design;

FIG. 2 is a front elevational view thereof;

FIG. 3 is a rear elevational view thereof;

FIG. 4 is a left side elevational view thereof;

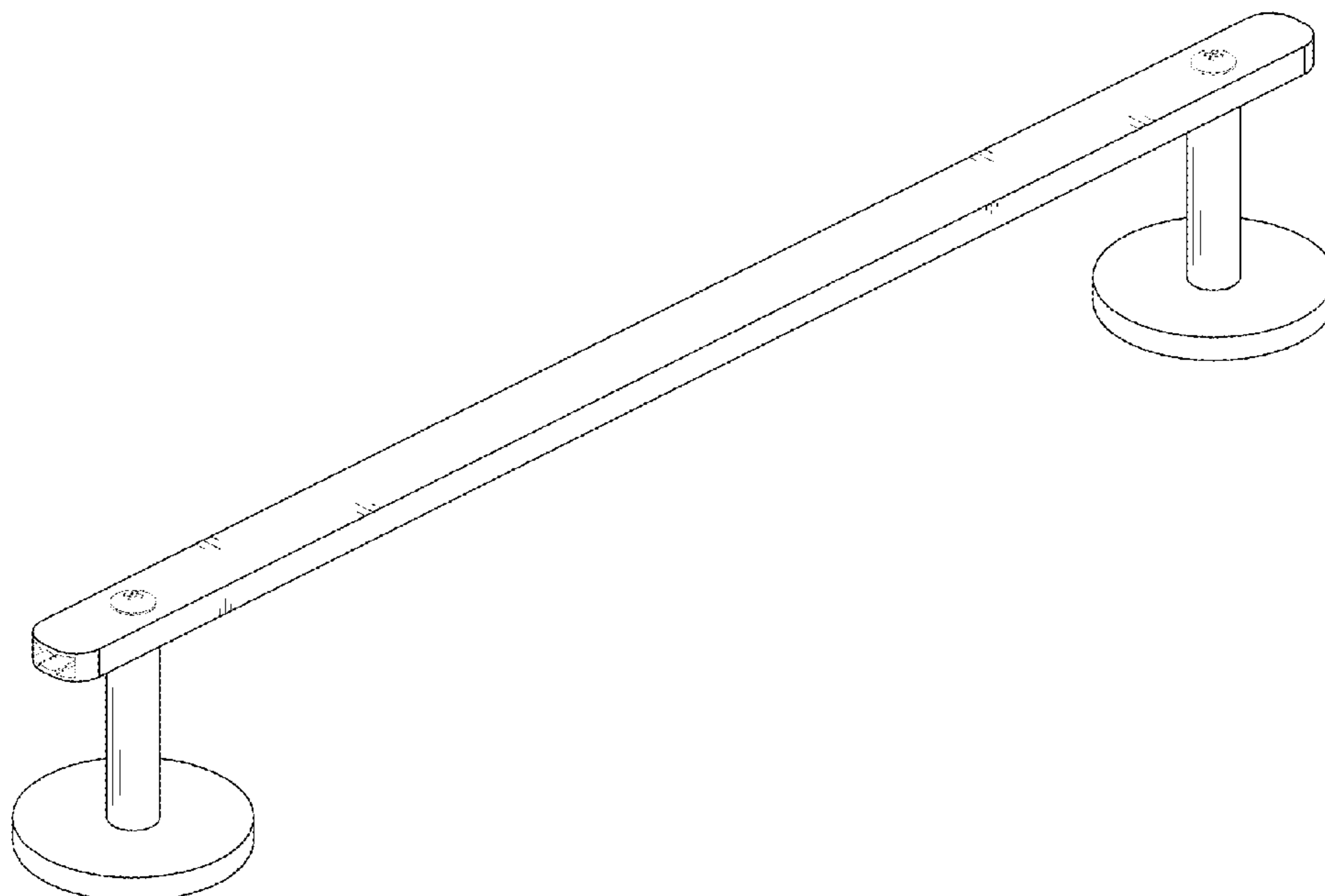
FIG. 5 is a right side elevational view thereof;

FIG. 6 is a top plan view thereof; and,

FIG. 7 is a bottom plan view thereof.

The broken lines in the drawings depict portions of the rack that form no part of the claimed design.

1 Claim, 6 Drawing Sheets



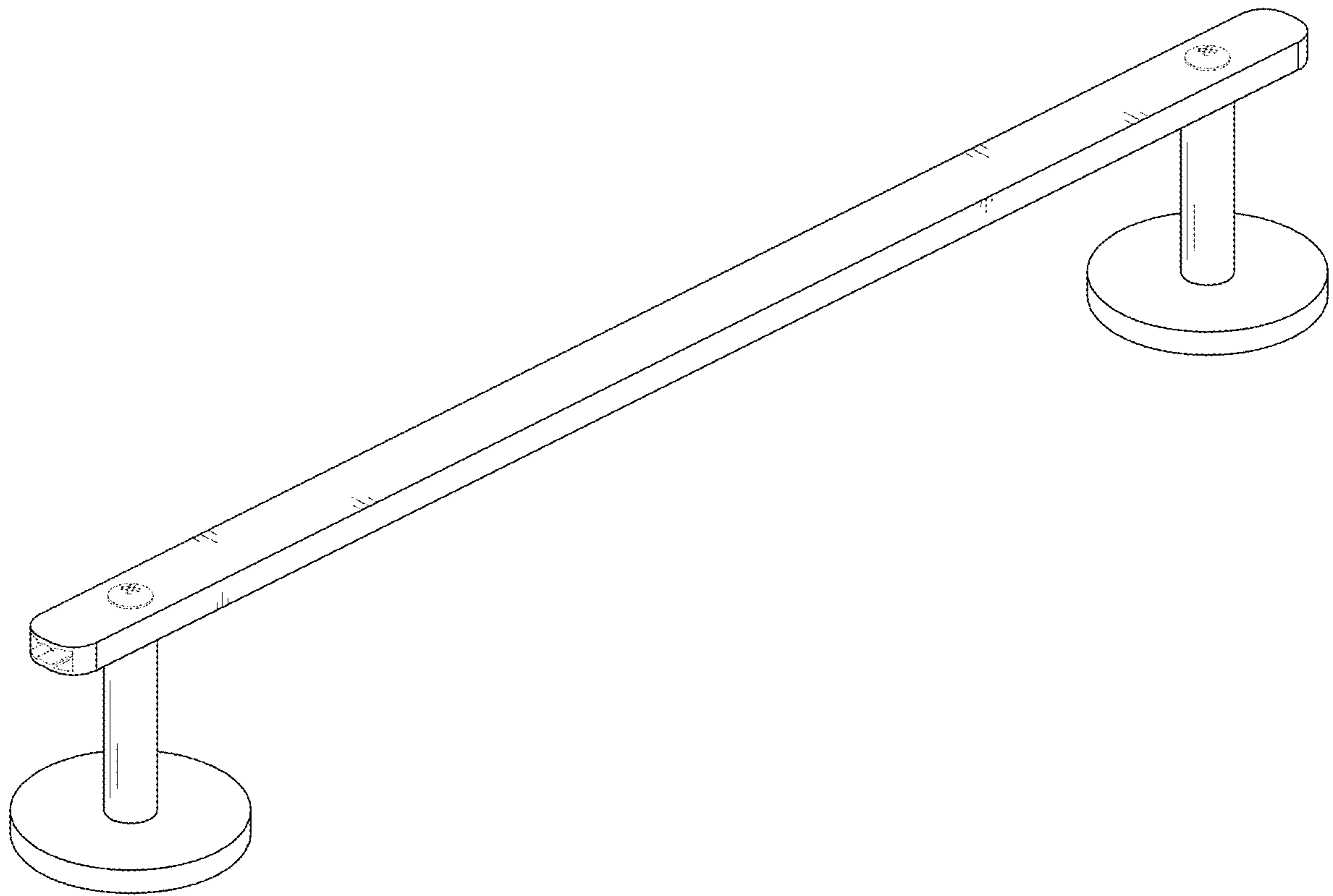


FIG. 1

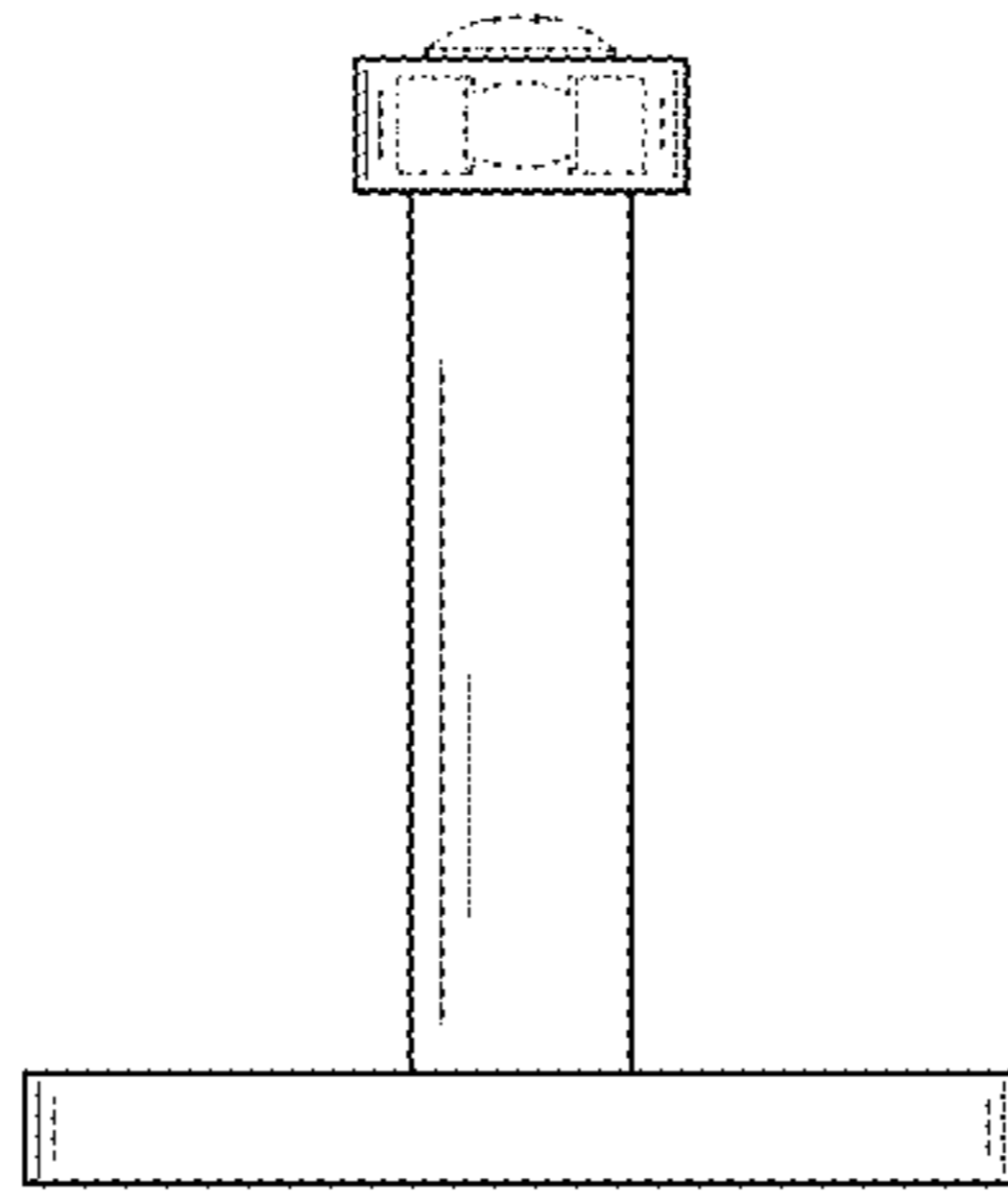


FIG. 2

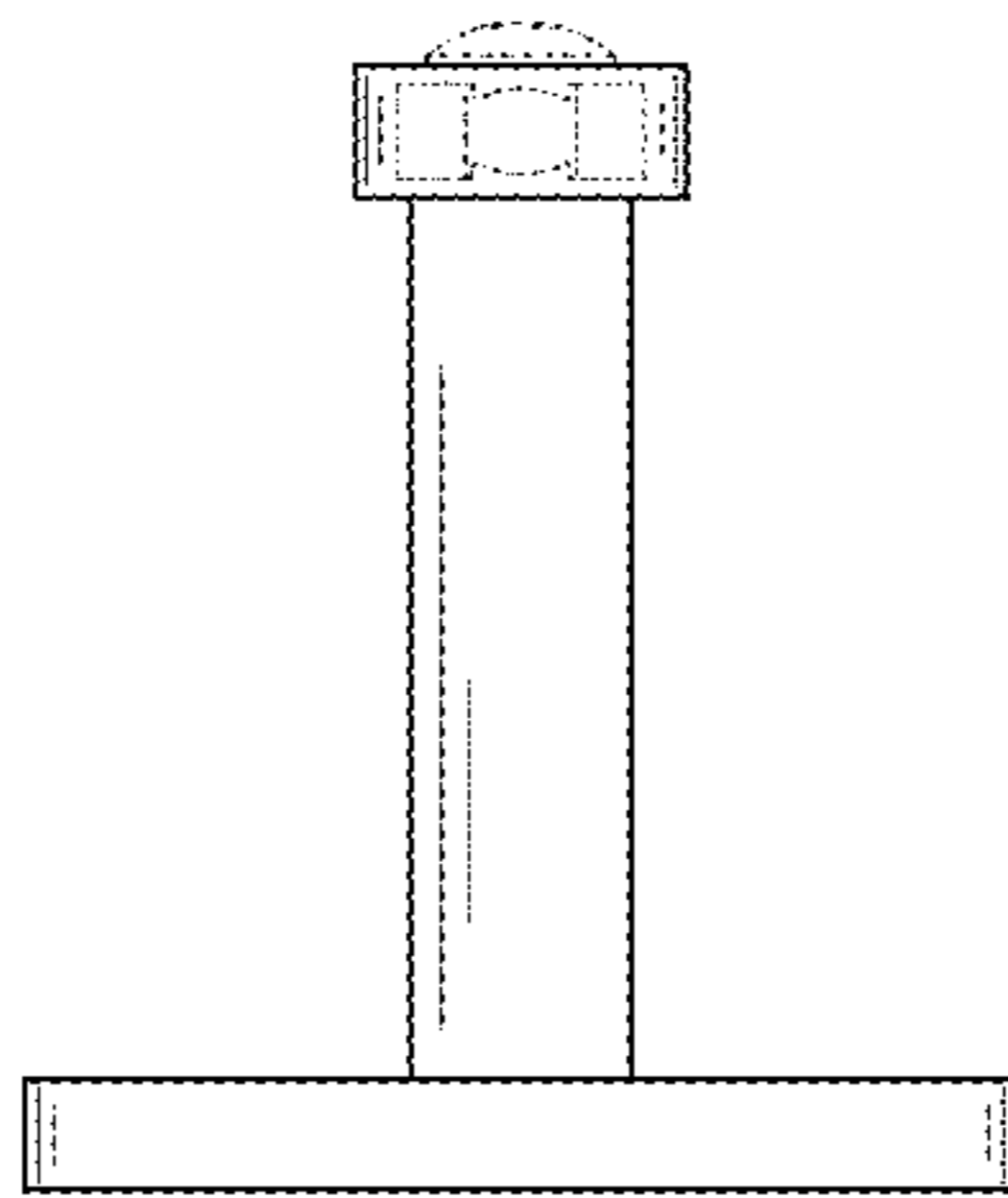


FIG. 3

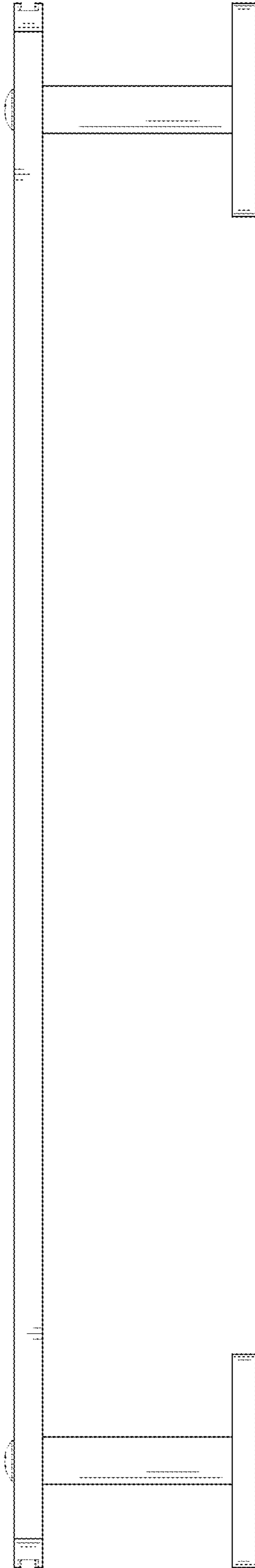


FIG. 4

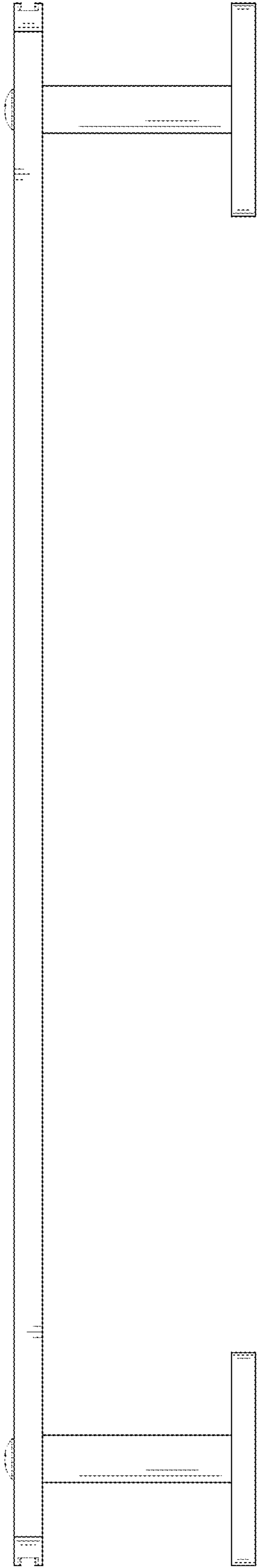


FIG. 5

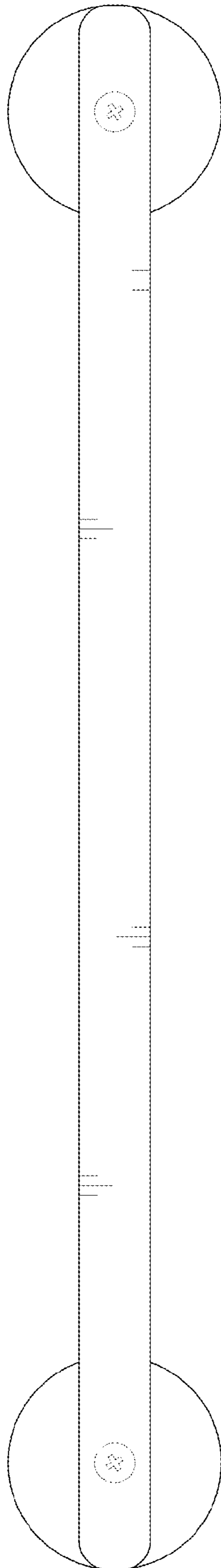


FIG. 6

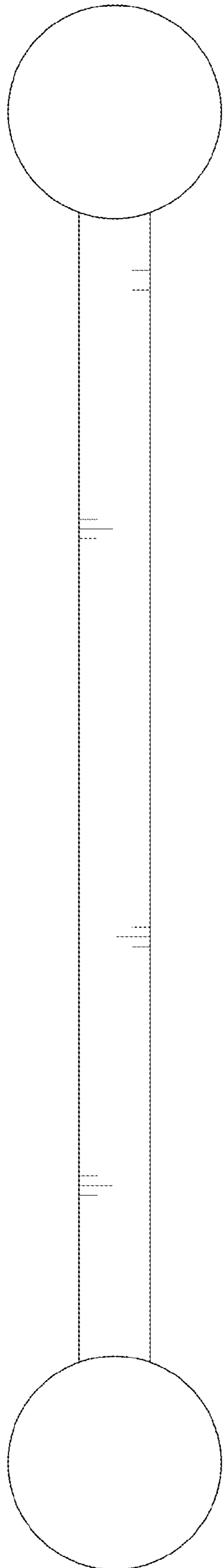


FIG. 7