



US00D906006S

(12) **United States Design Patent** (10) **Patent No.:** **US D906,006 S**
 Holding et al. (45) **Date of Patent:** **** *Dec. 29, 2020**

(54) **ROLL HOLDER**

(56) **References Cited**

(71) Applicant: **JOSEPH JOSEPH, LTD**, London (GB)

U.S. PATENT DOCUMENTS

(72) Inventors: **Bill Holding**, London (GB); **Ben Cox**, London (GB)

D523,672 S * 6/2006 Yang D6/521
D530,549 S * 10/2006 Yang D6/521
D545,599 S * 7/2007 Yu D6/521
D555,953 S * 11/2007 Vordenberg D6/521
D713,166 S * 9/2014 Miller D6/521

(73) Assignee: **JOSEPH JOSEPH, LTD**, London (GB)

* cited by examiner

(*) Notice: This patent is subject to a terminal disclaimer.

Primary Examiner — Wan Laymon
Assistant Examiner — Mark Booker

(**) Term: **15 Years**

(57) **CLAIM**

(21) Appl. No.: **29/659,349**

The ornamental design for a roll holder, as shown and described.

(22) Filed: **Aug. 8, 2018**

(30) **Foreign Application Priority Data**

DESCRIPTION

Feb. 8, 2020 (EP) 004701365-0006

(51) **LOC (12) Cl.** **20-02**

FIG. 1 is a front view of the roll holder showing my new design.

(52) **U.S. Cl.**

FIG. 2 is a back view thereof.

USPC **D6/521**

FIG. 3 is a top view thereof.

(58) **Field of Classification Search**

FIG. 4 is bottom view thereof.

USPC D6/518-523; 206/389, 391; 211/13.1, 211/59.1, 45, 890.1; 242/570, 590, 242/597.7; 248/309.1, 309.2

FIG. 5 is a top perspective view thereof.

CPC A47K 10/04; A47K 10/02; A47K 10/10; A47K 10/3836; A47K 2010/324; A47K 2010/389; B08B 1/006

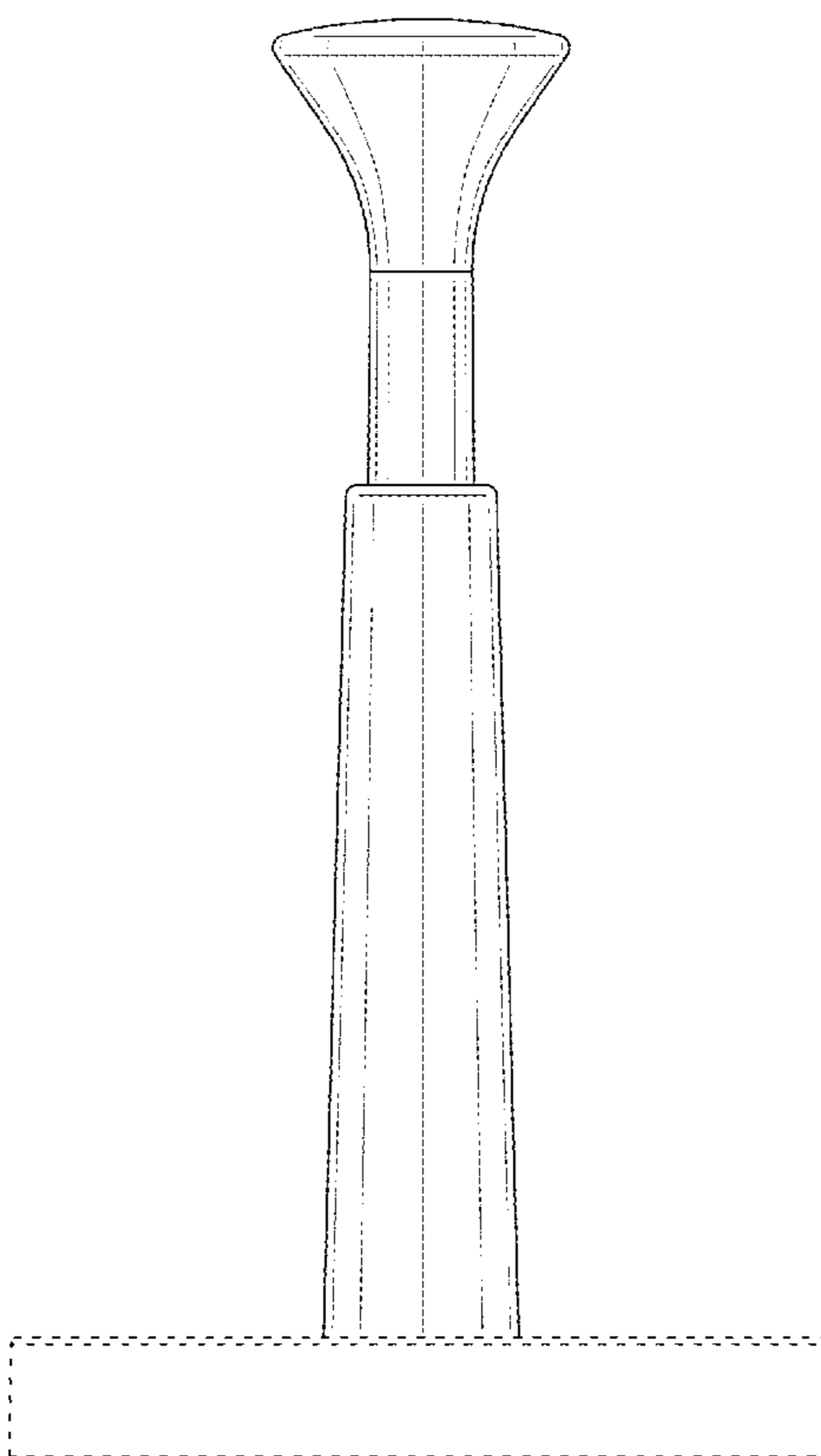
FIG. 6 is an exploded top perspective view thereof; and,

See application file for complete search history.

FIG. 7 is an exploded bottom perspective view thereof.

The broken lines in the drawings illustrate portions of the roll holder which form no part of the claimed design.

1 Claim, 7 Drawing Sheets



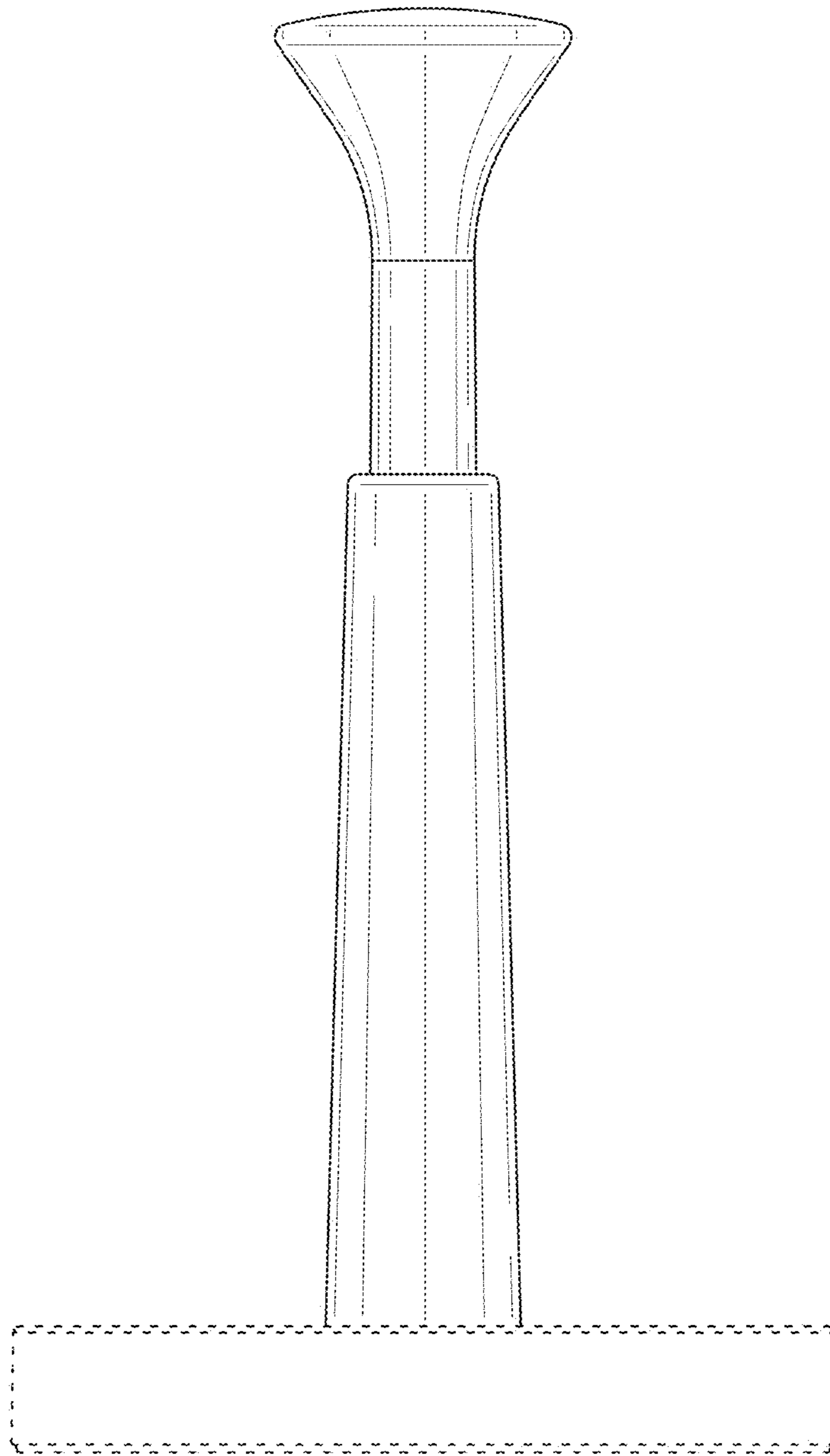


FIG. 1

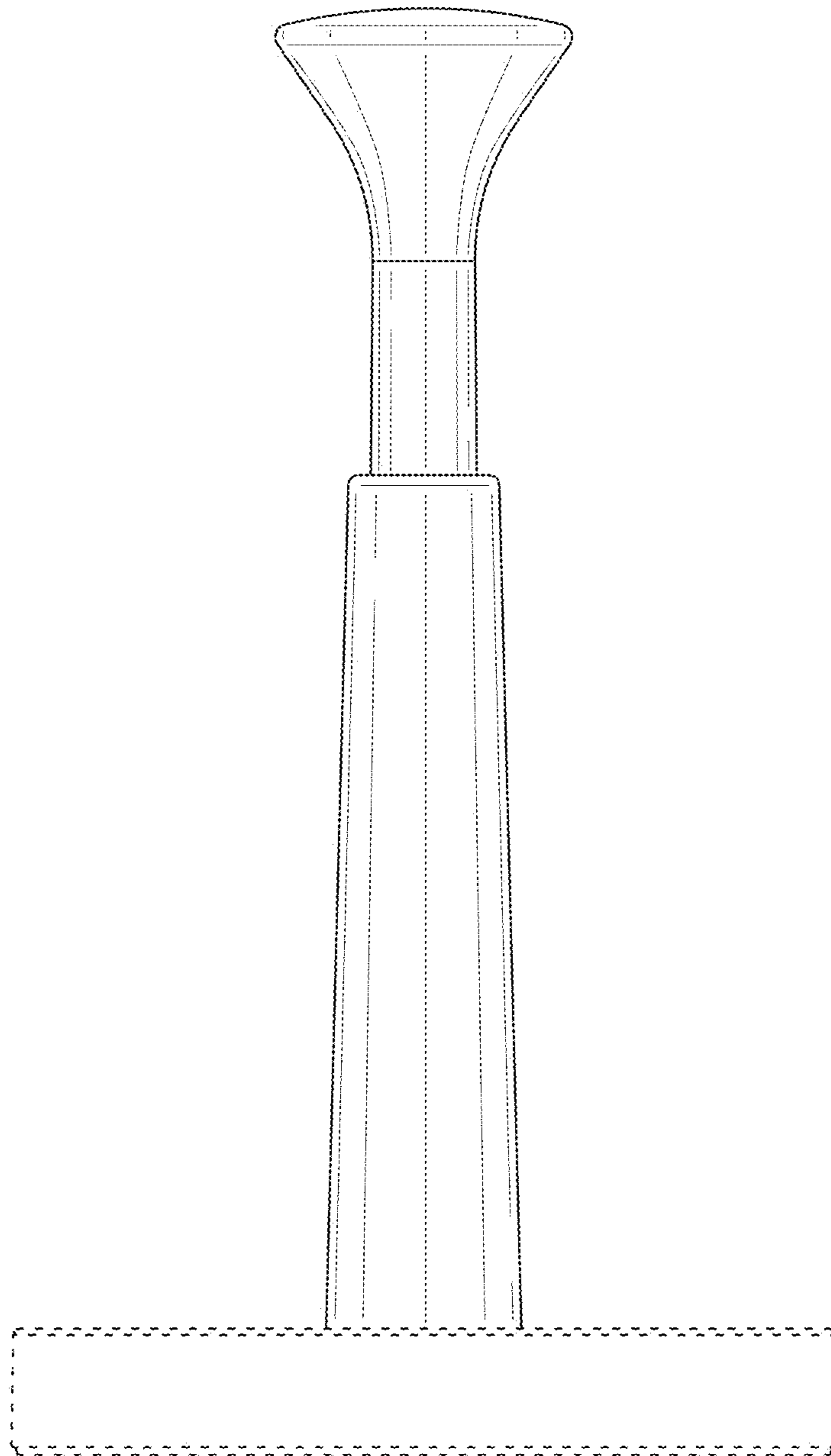


FIG. 2

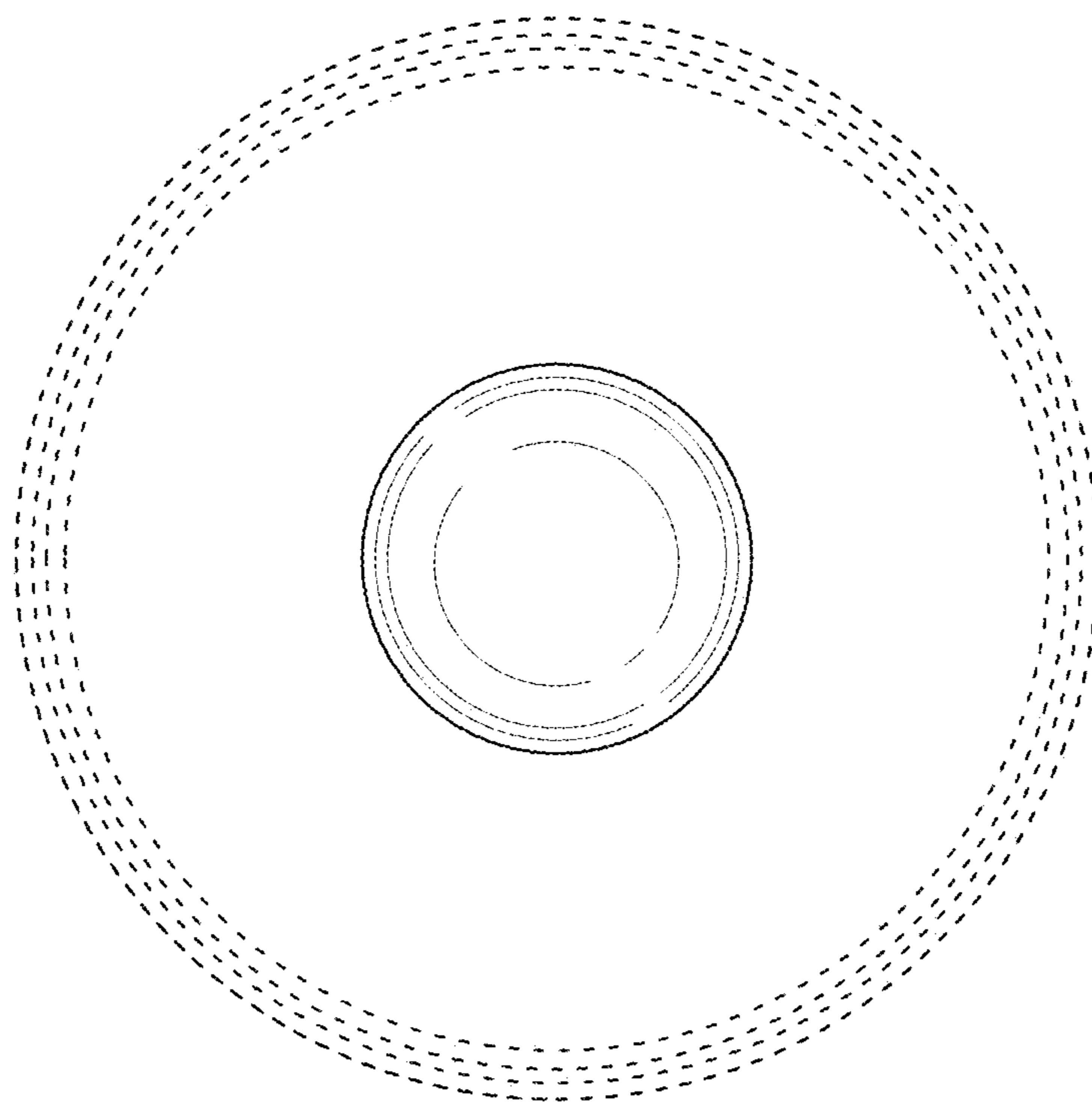


FIG. 3

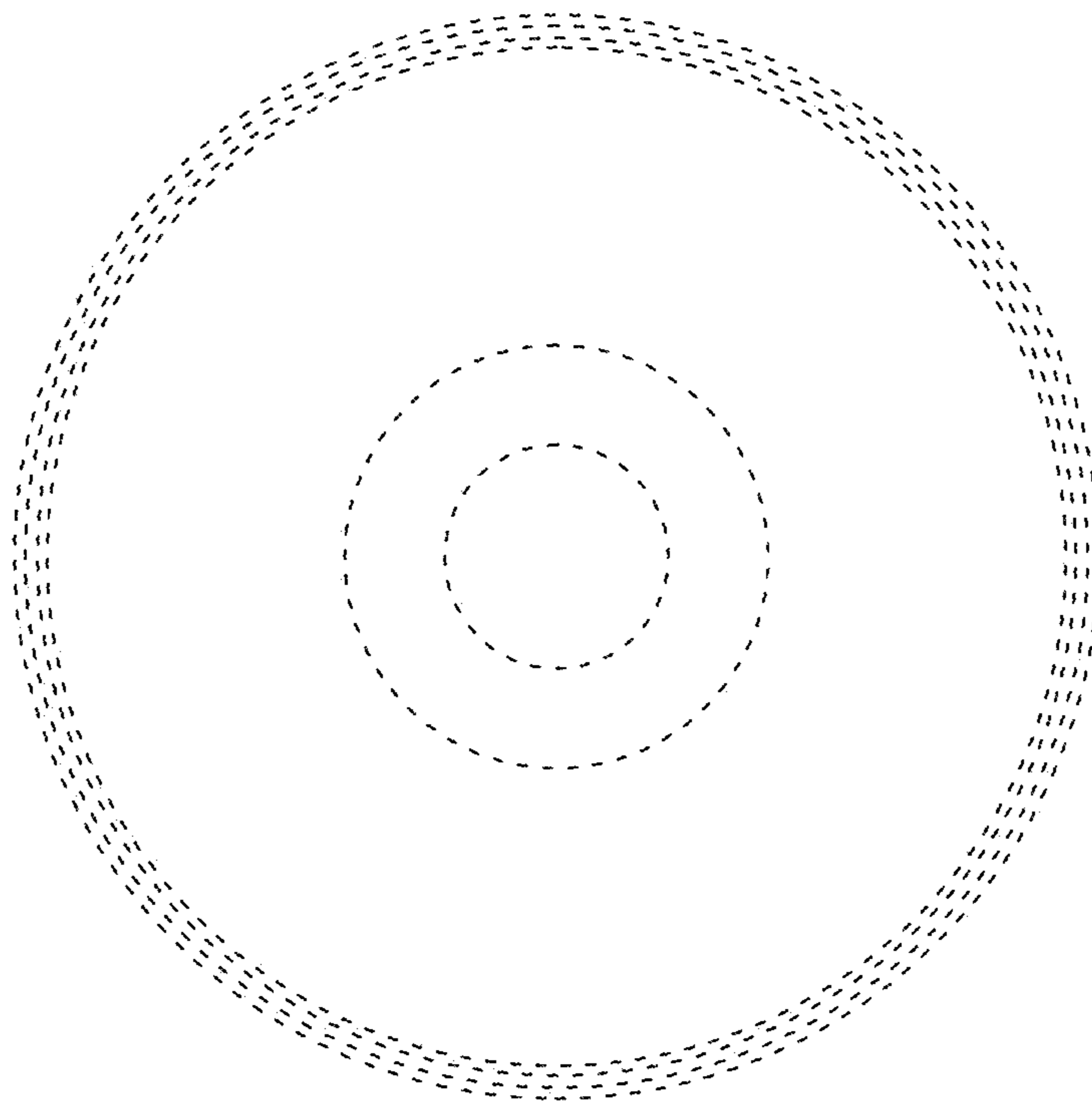


FIG. 4

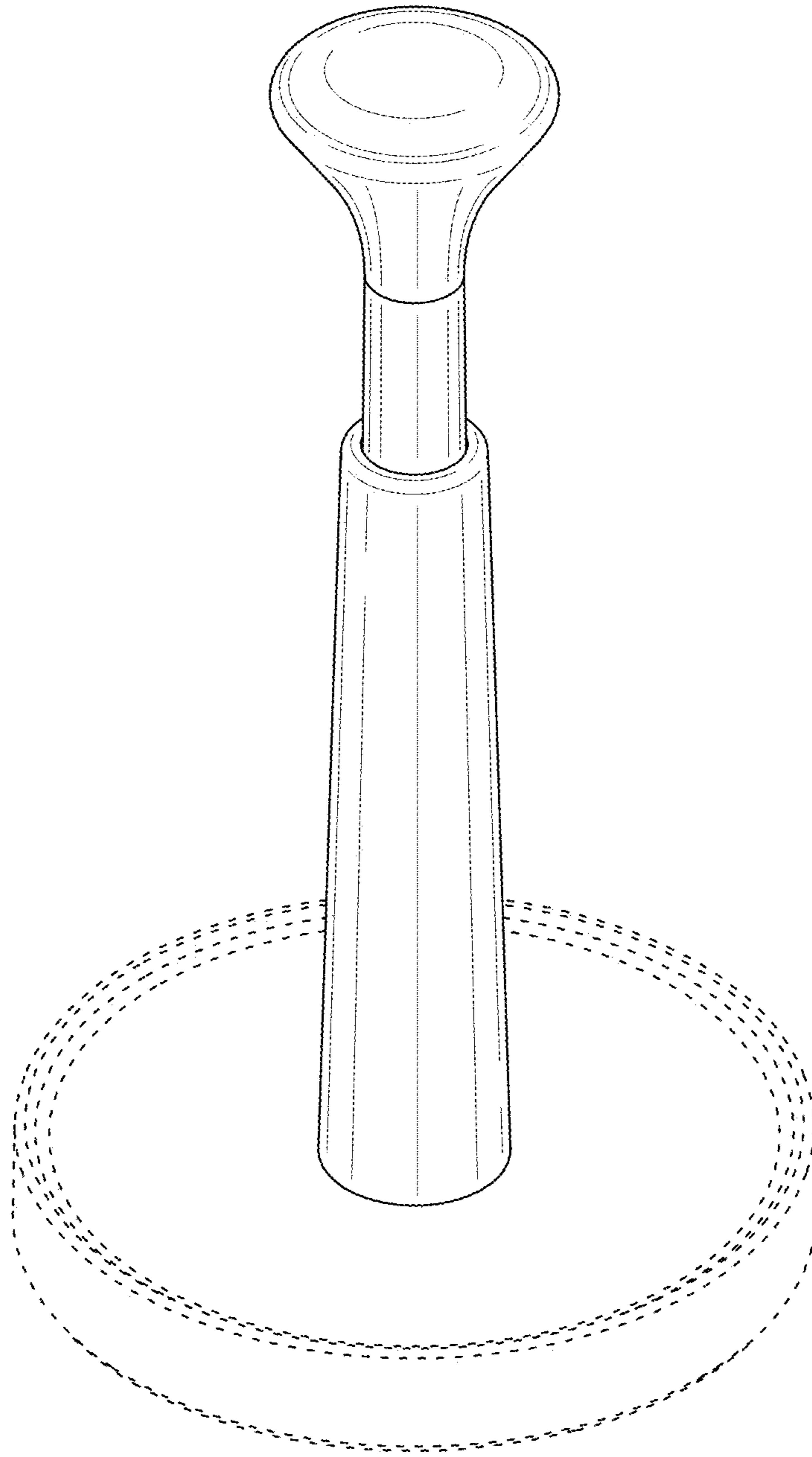


FIG. 5

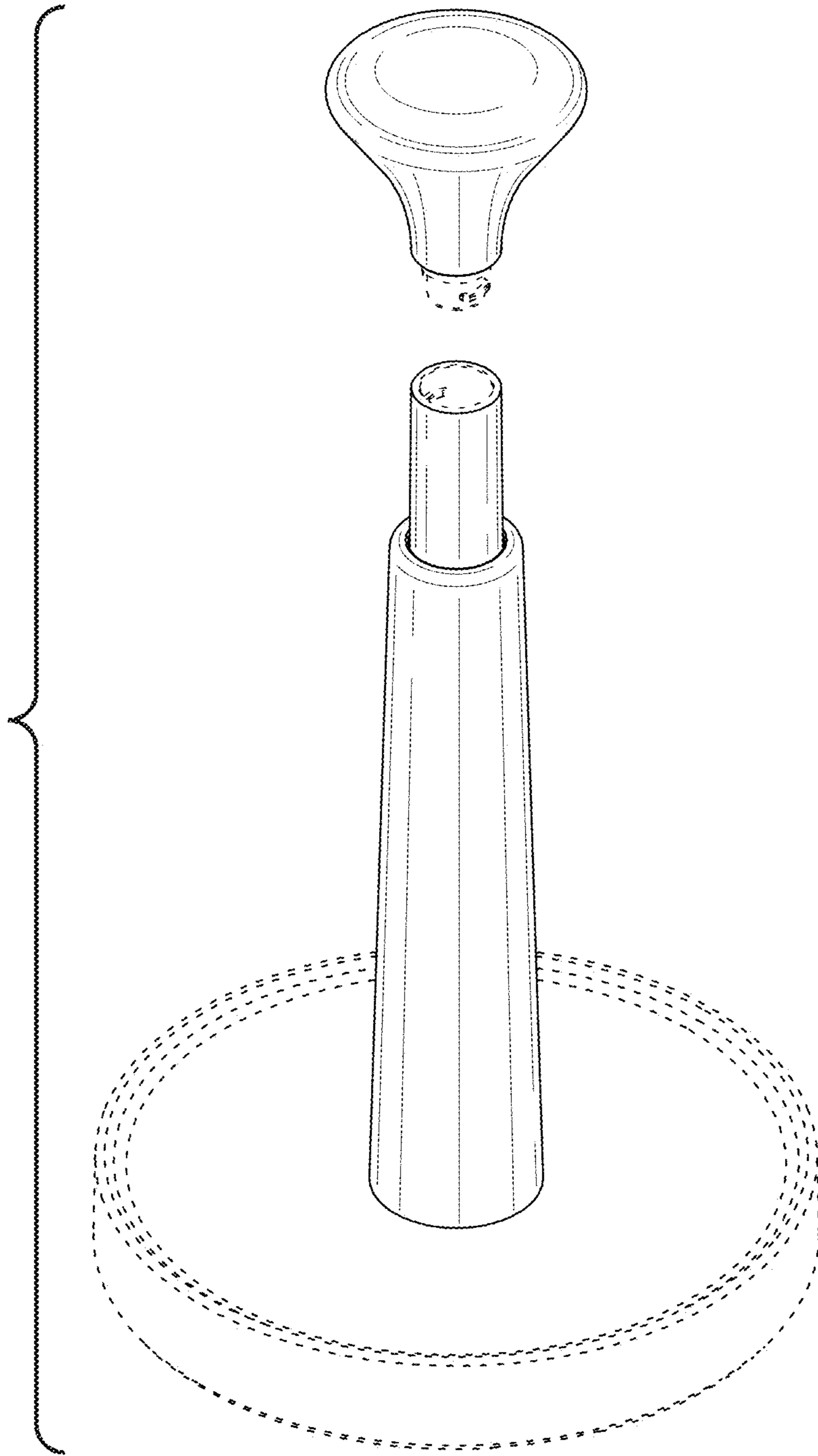


FIG. 6

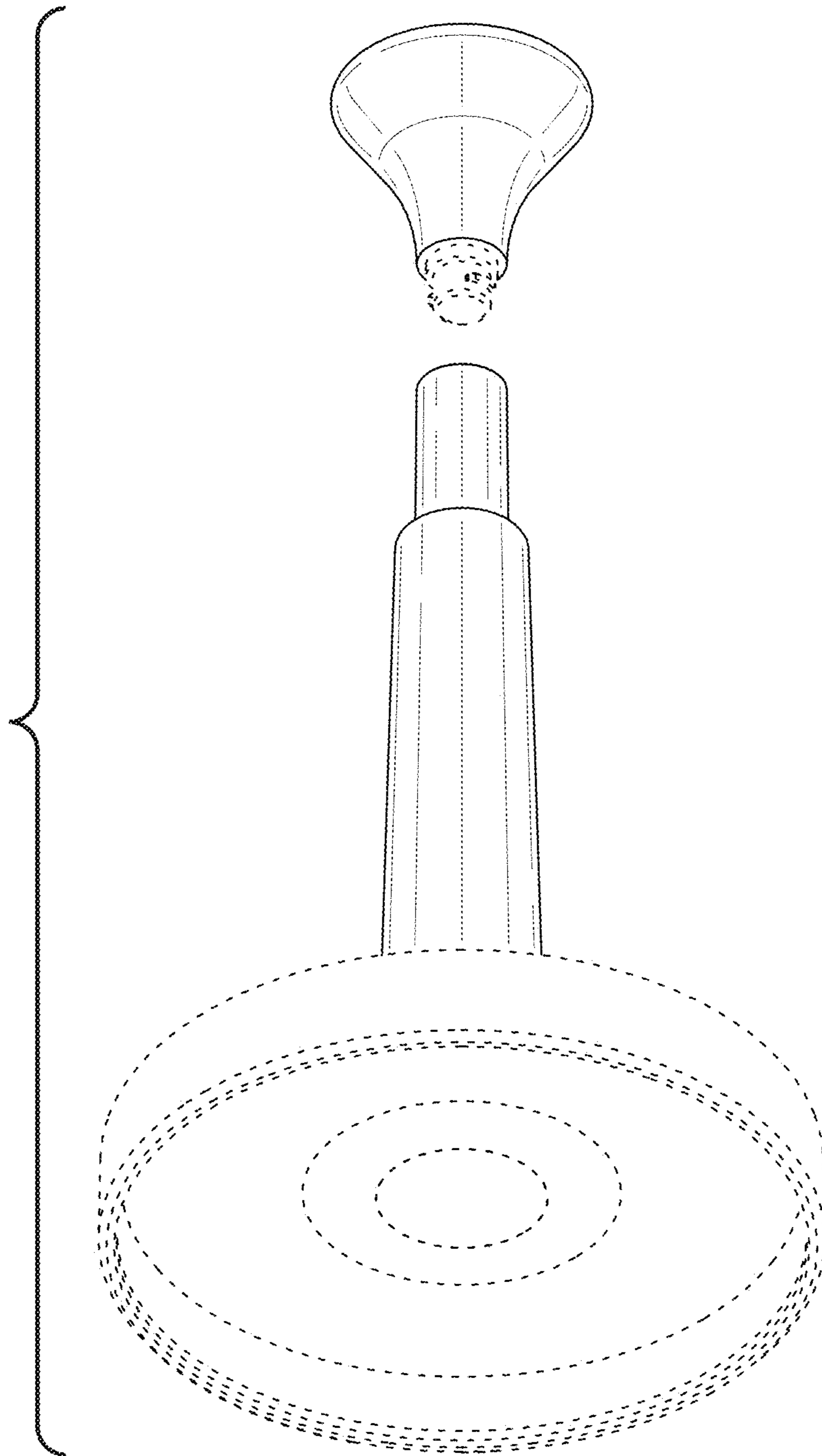


FIG. 7