



US00D906004S

(12) **United States Design Patent**
Yim et al.

(10) **Patent No.:** **US D906,004 S**

(45) **Date of Patent:** **** Dec. 29, 2020**

(54) **SHELF DISPENSING UNIT**

(71) Applicants: **Andrew Hong-Jae Yim**, Cincinnati, OH (US); **Robert Charles Best**, Cincinnati, OH (US)

(72) Inventors: **Andrew Hong-Jae Yim**, Cincinnati, OH (US); **Robert Charles Best**, Cincinnati, OH (US)

(73) Assignee: **APEX INDUSTRIAL TECHNOLOGIES LLC**, Mason, OH (US)

(**) Term: **15 Years**

(21) Appl. No.: **29/676,492**

(22) Filed: **Jan. 11, 2019**

(51) **LOC (12) Cl.** **06-06**

(52) **U.S. Cl.**
USPC **D6/515**

(58) **Field of Classification Search**

USPC D6/300, 310, 320, 329, 512, 513, 514, D6/515, 545, 567, 574, 641, 642, 661, D6/662.1, 663-691, 694, 702, 705, 705.2, D6/705.4, 705.5, 705.6, 705.7, 706, D6/708.16, 712, 719; D7/300, 301, 302, D7/303, 304, 305, 306, 307, 308, 309, D7/310, 311, 312, 313, 314, 315, 316, D7/317, 318, 319, 320, 321, 322, 396.1, D7/552.2, 600, 600.1, 600.4, 701; D8/71, D8/354, 363, 373, 374, 377, 381, 394; D3/201, 297, 304, 306

CPC A47B 11/00; A47B 9/00; A47B 51/00; A47B 57/00; A47B 57/08; A47B 57/10; A47B 57/16; A47B 57/30; A47B 45/00; A47B 47/00; A47B 47/021; A47B 47/025; A47B 47/027; A47B 87/00; A47B 87/008; A47B 87/02; A47B 87/0207; A47B 43/00; A47B 43/03; A47B 43/04; A47B 88/00; A47B 88/40; A47B 88/423; A47B 88/427; A47B

19/00; A47B 31/00; A47B 2031/002; A47B 2031/003; A47B 2031/008; A47B 63/00; A47B 61/02; A47F 1/00; A47F 1/04; A47F 1/12; A47F 3/00; A47F 3/02; A47F 3/0439; A47F 5/00; A47F 5/00; A47F 5/0018; A47F 5/0043; A47F 10/02; F16B 2/065

See application file for complete search history.

(56) **References Cited**

U.S. PATENT DOCUMENTS

505,110 A * 9/1893 Loughry A47B 87/0269
217/11
D30,011 S * 1/1899 Roberts D6/683
2,155,190 A * 4/1939 Heinz A47F 5/116
211/135
D117,194 S * 10/1939 O'Meara D6/675.1
D136,694 S * 11/1943 Kramer D6/336
D234,894 S * 4/1975 Vandembouck D6/675.1

(Continued)

Primary Examiner — Karen E Kearney

Assistant Examiner — Adam C Mager

(74) *Attorney, Agent, or Firm* — Thompson Hine LLP

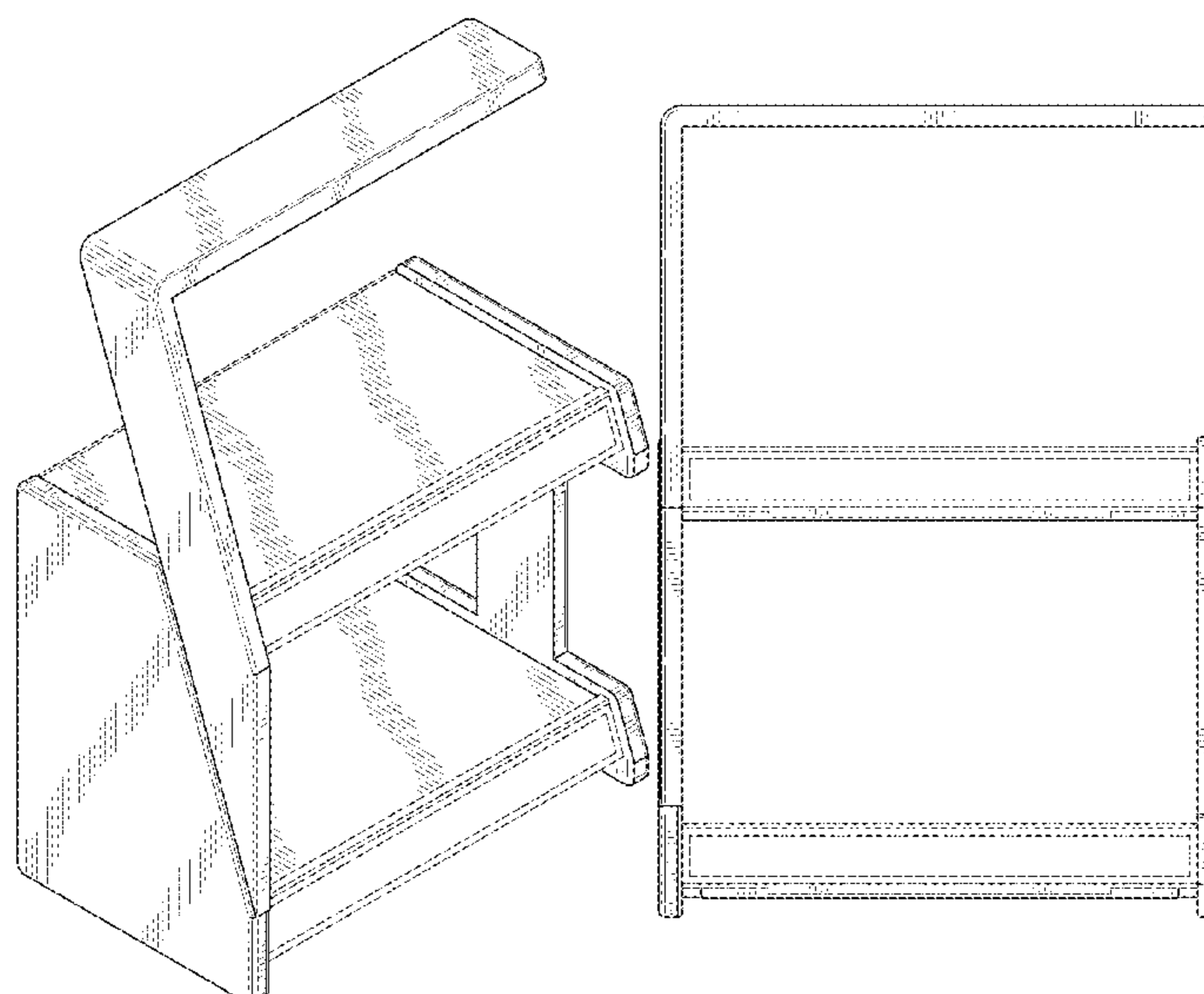
(57) **CLAIM**

The ornamental design for shelf dispensing unit, as shown and described.

DESCRIPTION

FIG. 1 is a perspective view of the design; FIG. 2 is a front view of the design of FIG. 1; FIG. 3 is a back view of the design of FIG. 1; FIG. 4 is a first side view of the design of FIG. 1; FIG. 5 is a second side view of the design of FIG. 1; and, FIG. 6 is a top view of the design of FIG. 1. In the drawings, the broken lines depict environmental subject matter only and form no part of the claimed design.

1 Claim, 6 Drawing Sheets



(56)

References Cited

U.S. PATENT DOCUMENTS

4,080,907 A * 3/1978 Kaufman A47B 55/00
108/59
D292,254 S * 10/1987 Matilo D6/675.3
D293,866 S * 1/1988 Marsh D6/570
D333,405 S * 2/1993 Moyer, Jr. D7/300
D384,221 S * 9/1997 Roeder D6/675
D568,942 S * 5/2008 Gauselmann D21/325

* cited by examiner

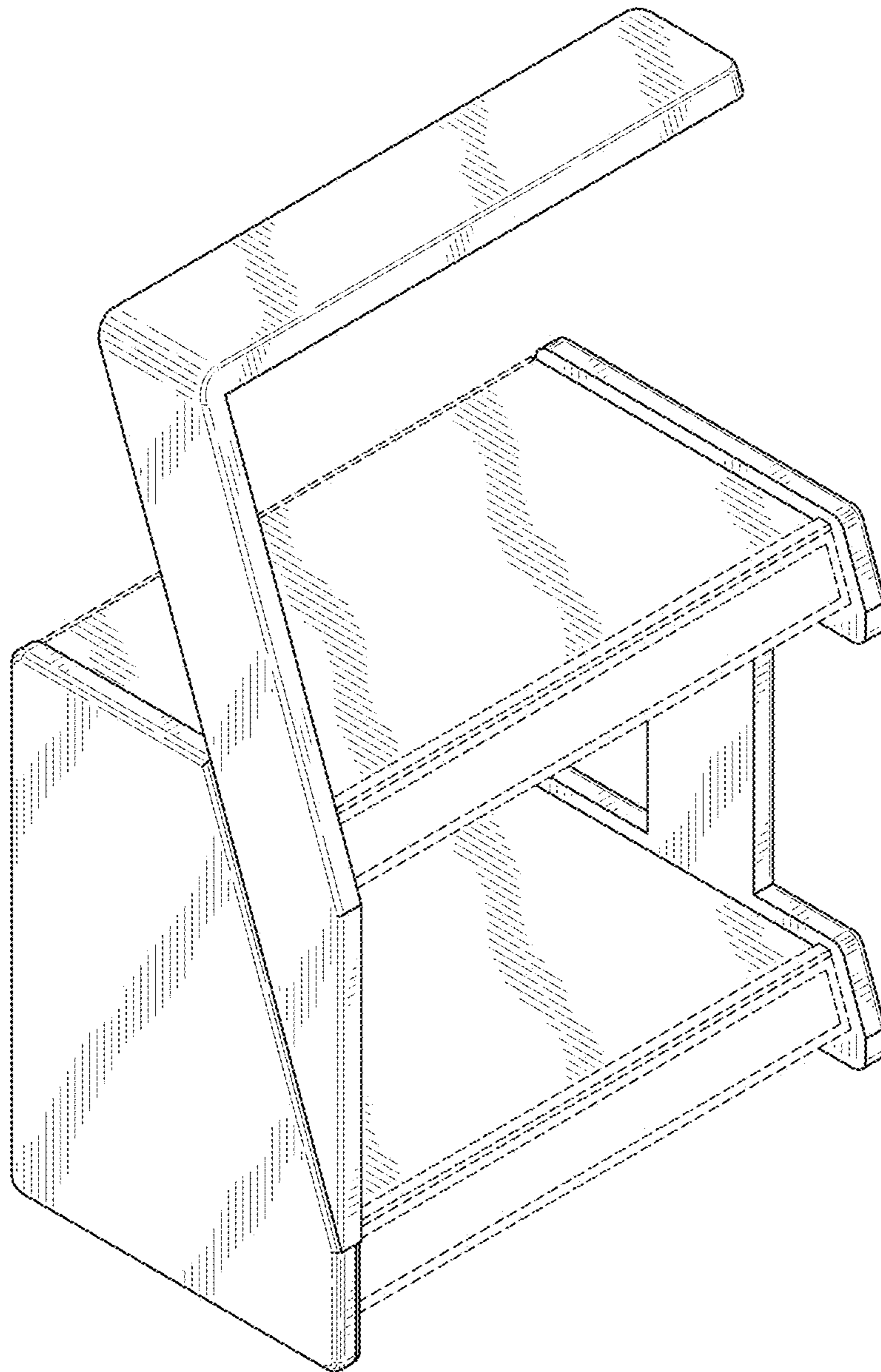


FIG. 1

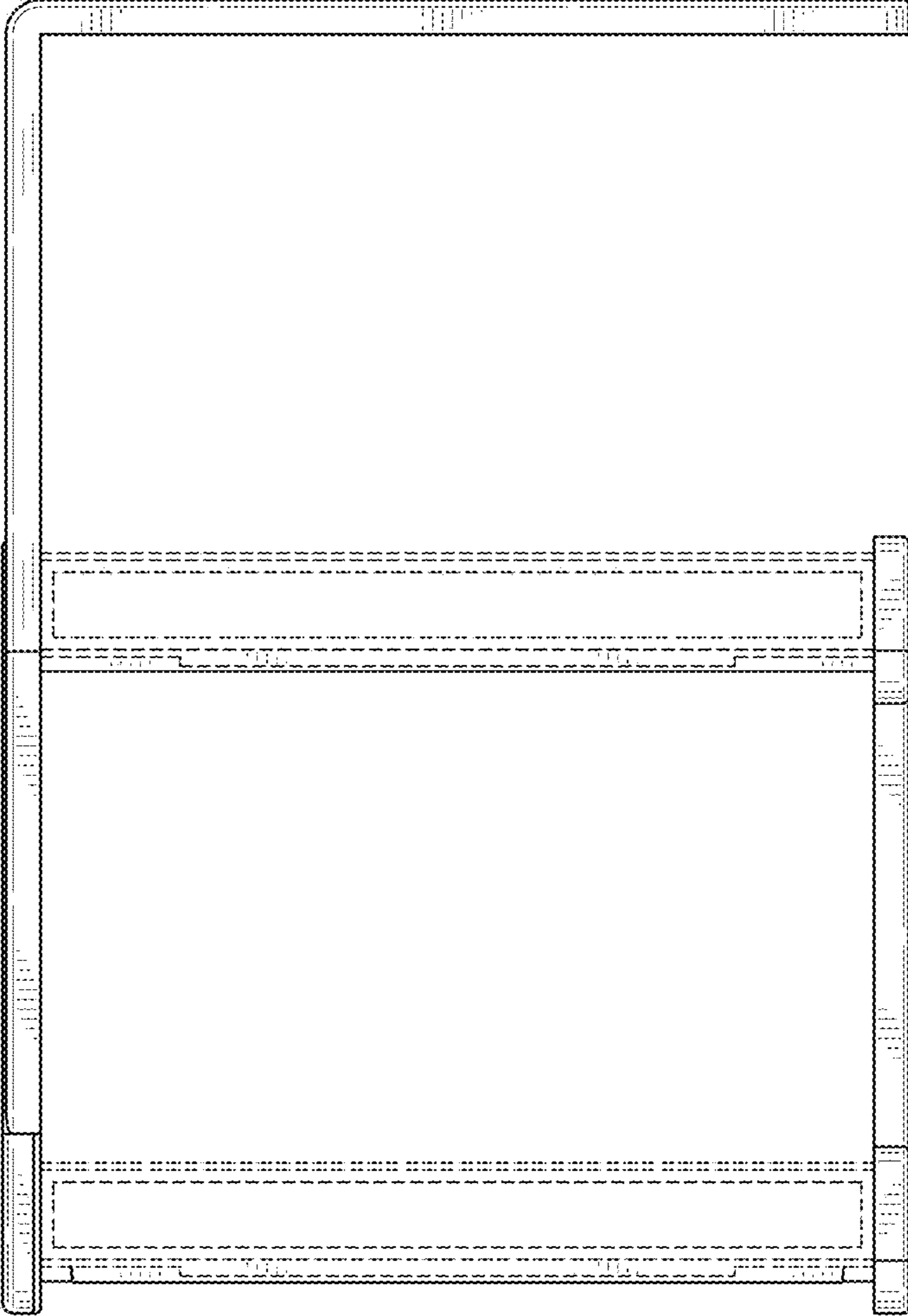


FIG. 2

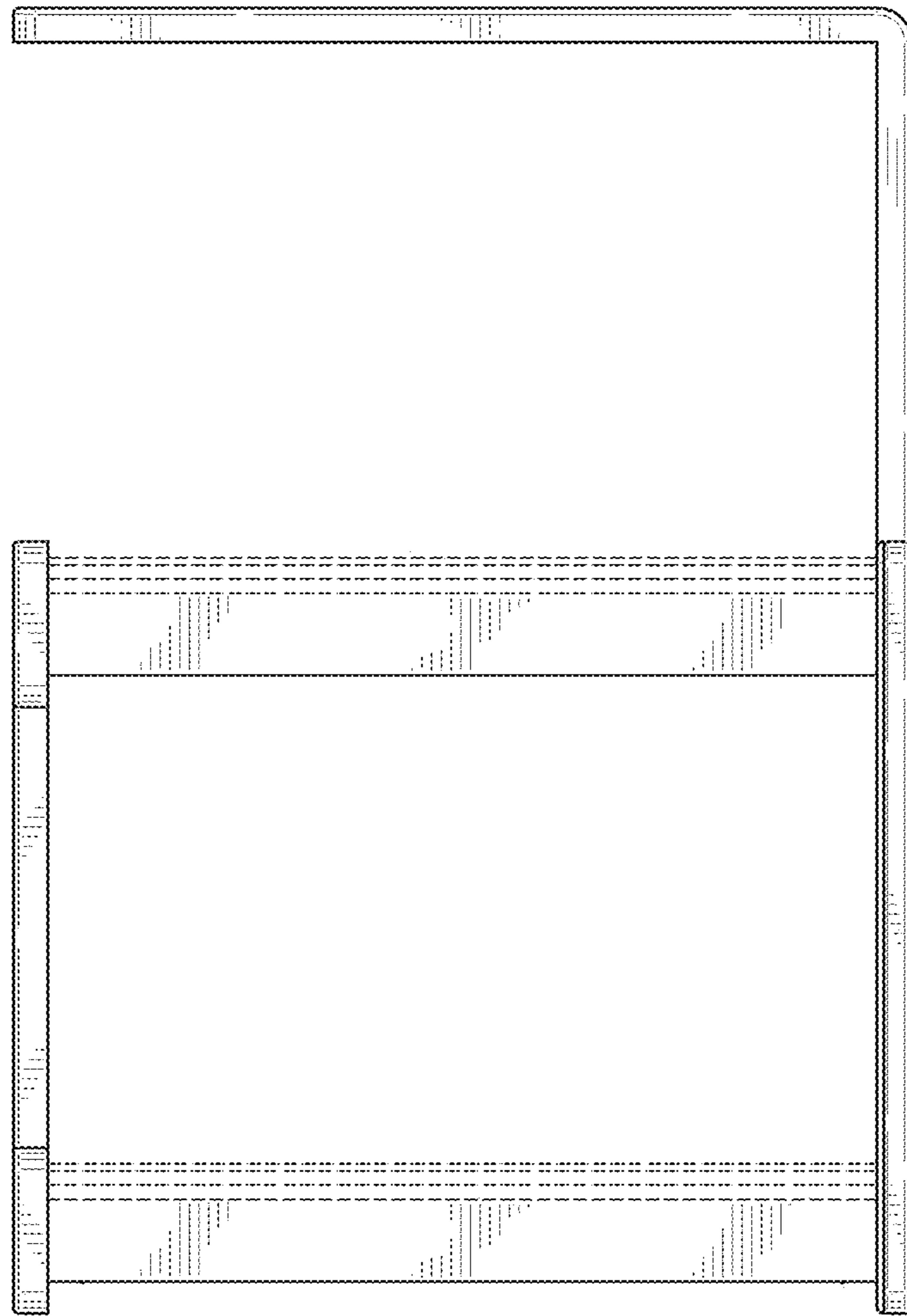


FIG. 3

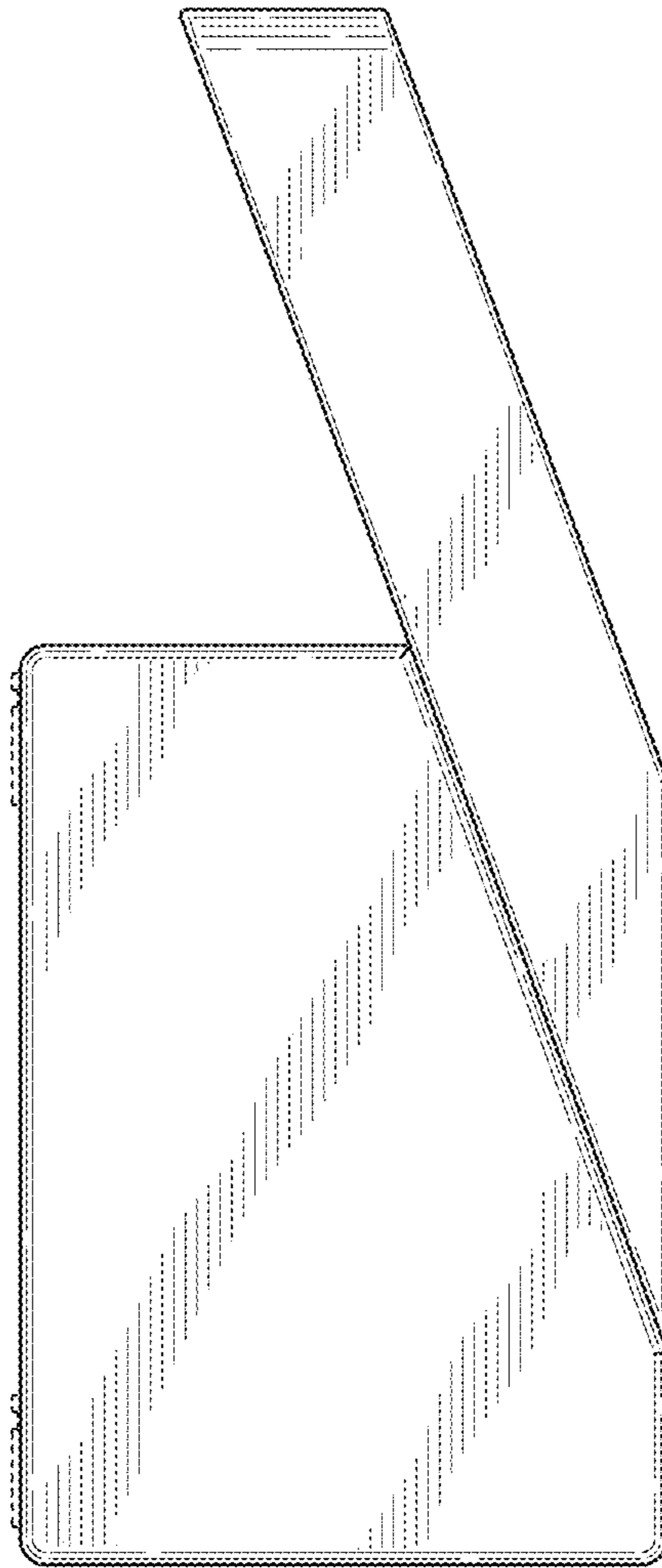


FIG. 4

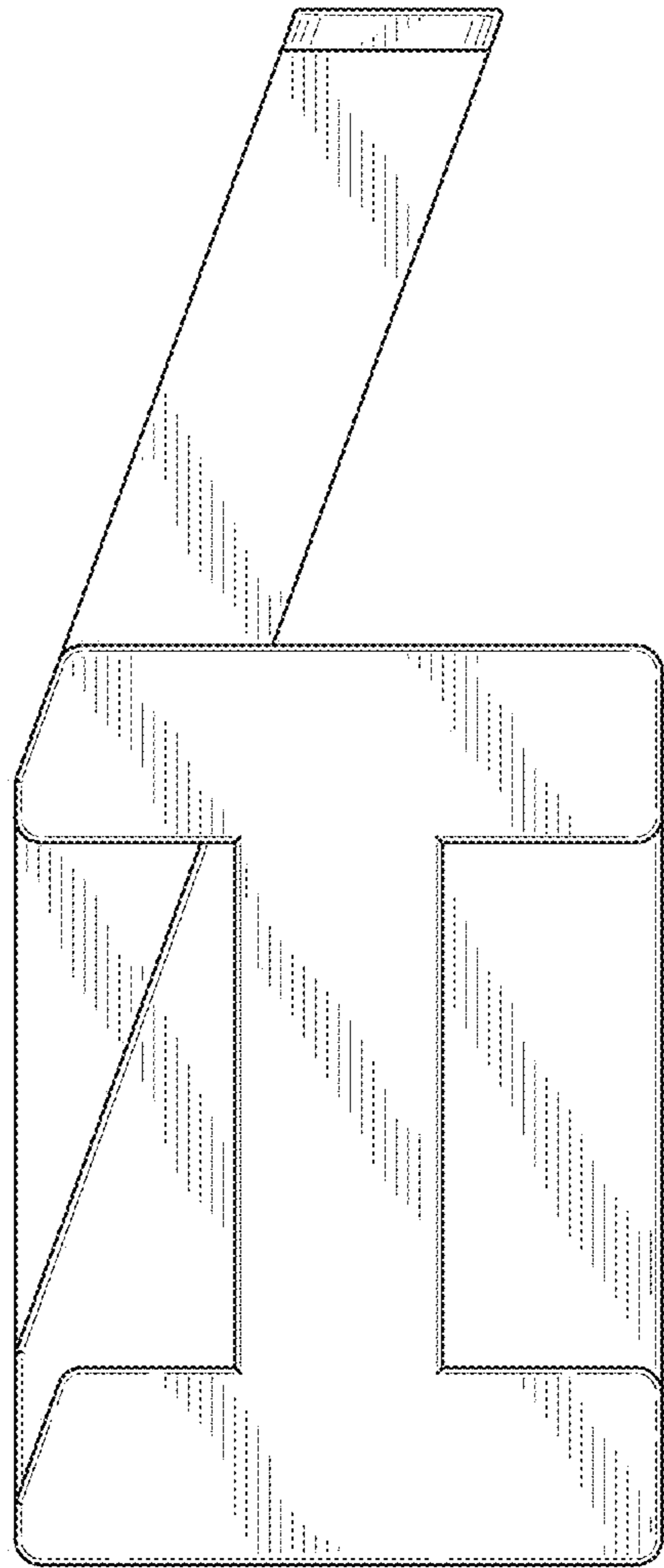


FIG. 5

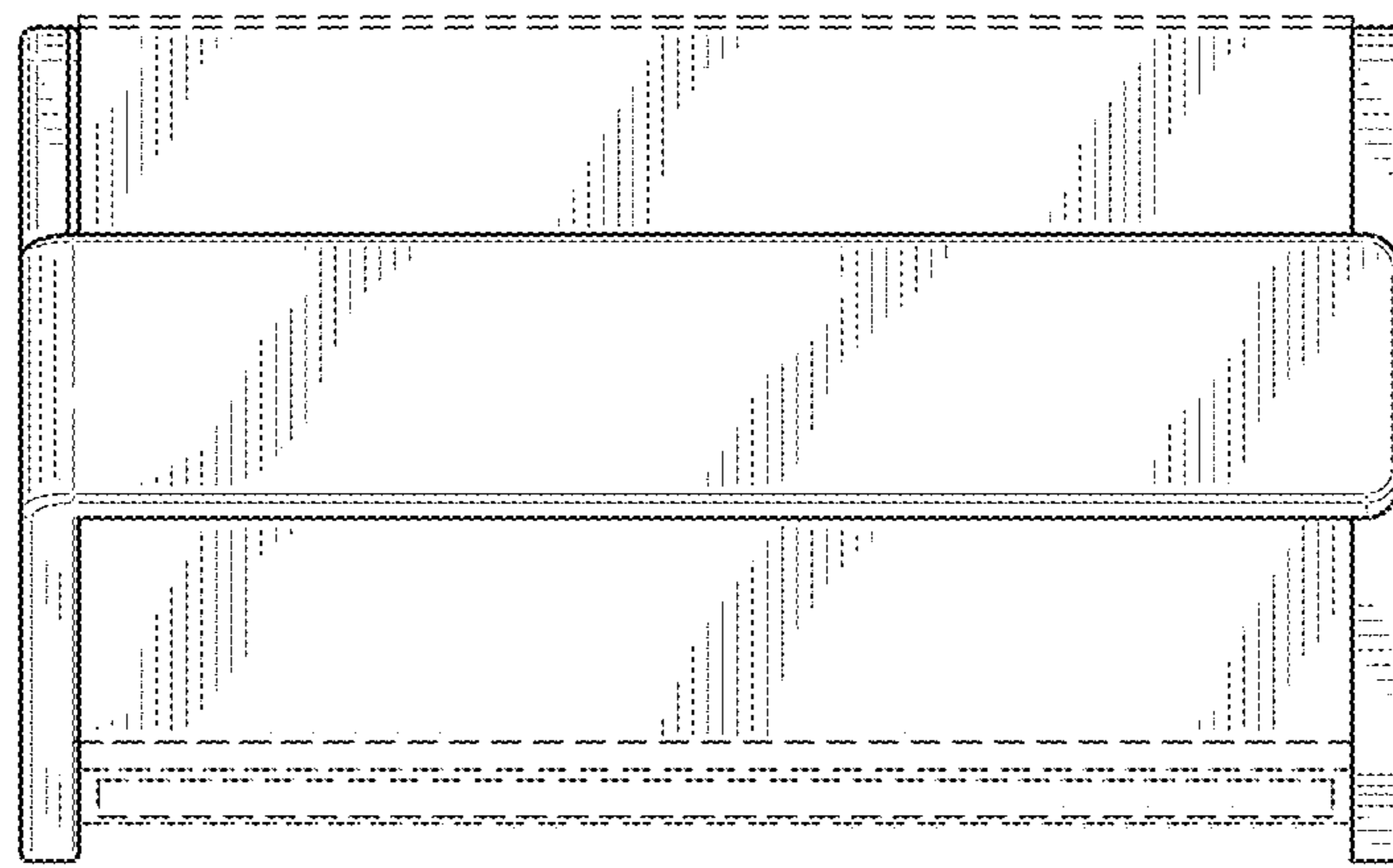


FIG. 6