



US00D906003S

(12) **United States Design Patent**  
**Yang**

(10) **Patent No.:** **US D906,003 S**

(45) **Date of Patent:** **\*\* Dec. 29, 2020**

(54) **BED FRAME**

(71) Applicant: **Li Yang**, Changzhou (CN)

(72) Inventor: **Li Yang**, Changzhou (CN)

(\*\*) Term: **15 Years**

(21) Appl. No.: **29/691,951**

(22) Filed: **May 21, 2019**

(51) **LOC (12) Cl.** ..... **06-02**

(52) **U.S. Cl.**  
USPC ..... **D6/392**

(58) **Field of Classification Search**  
USPC ..... D6/382, 383, 392, 393, 718  
CPC ..... A47C 19/00; A47C 19/005; A47C 19/021;  
A47C 19/04; A47C 19/12; A47C 19/122  
See application file for complete search history.

(56) **References Cited**

**U.S. PATENT DOCUMENTS**

D104,734 S *	6/1937	Wesley	.....	D6/392
3,108,291 A *	10/1963	Eason	.....	A47C 17/68
				5/111
D254,583 S *	4/1980	Bergenwall	.....	D6/392
D296,931 S *	7/1988	Harris	.....	D24/183
D616,666 S *	6/2010	Rizzardo	.....	A47C 19/122
				D6/392
D661,122 S *	6/2012	Kubiak	.....	A47C 19/02
				D6/392
8,621,685 B2 *	1/2014	Jin	.....	A47C 19/122
				5/110
9,456,698 B2 *	10/2016	Oh	.....	A47C 19/005

10,694,860 B2 *	6/2020	Jin	.....	A47C 19/122
2004/0055085 A1 *	3/2004	Boscaro	.....	A47C 19/122
				5/110
2013/0312185 A1 *	11/2013	Suh	.....	A47C 20/043
				5/618
2015/0320225 A1 *	11/2015	Boyd	.....	A47C 19/04
				5/202
2016/0206111 A1 *	7/2016	Oh	.....	A47C 19/02
2018/0332973 A1 *	11/2018	Choi	.....	A47C 19/12

\* cited by examiner

*Primary Examiner* — Cathron C Brooks

(74) *Attorney, Agent, or Firm* — Law Offices of Steven W. Weinrieb

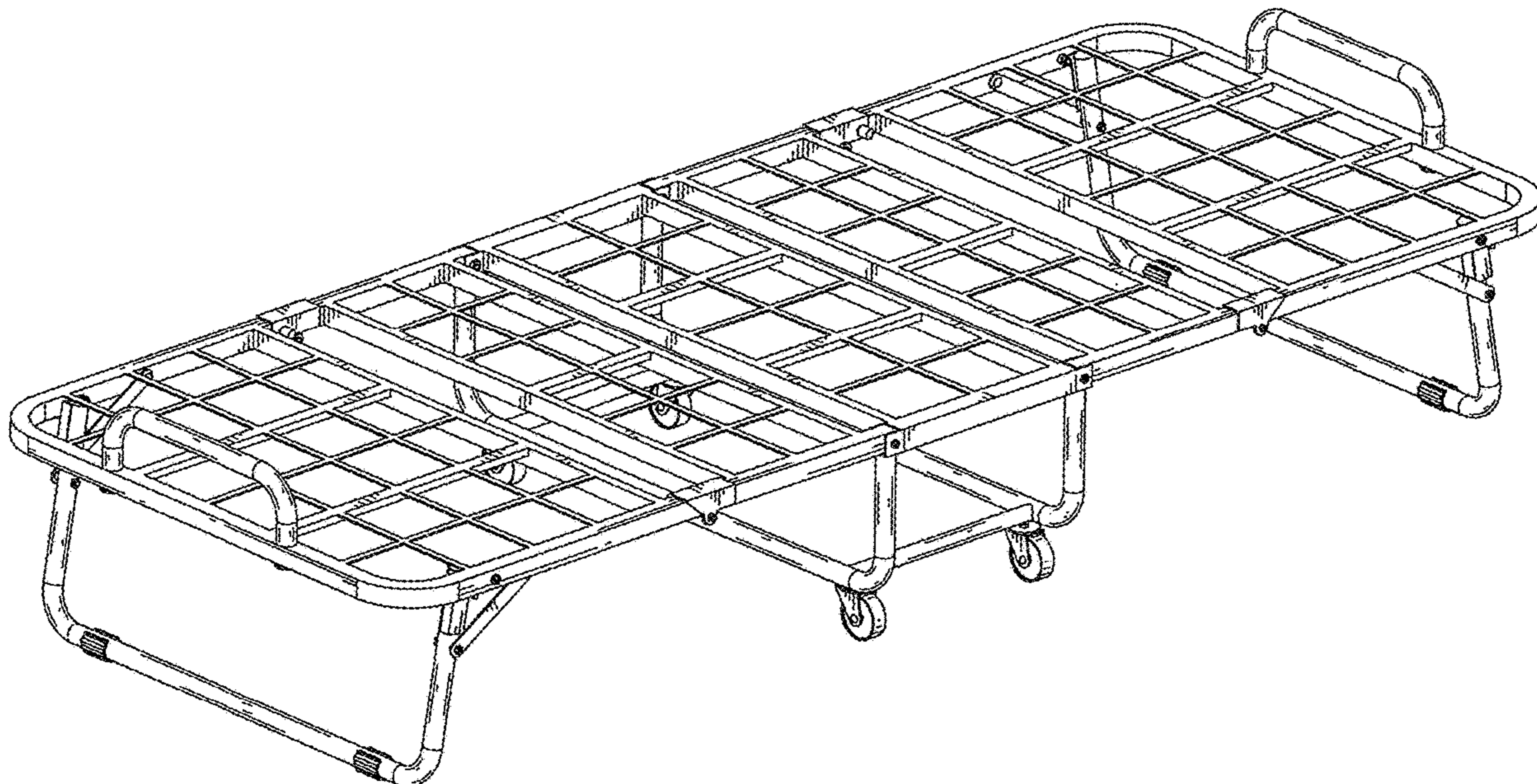
(57) **CLAIM**

The ornamental design for a bed frame, as shown and described.

**DESCRIPTION**

FIG. 1 is a front, left side, top perspective view of the bed frame showing my new design;  
FIG. 2 is a rear, right side, bottom perspective view thereof;  
FIG. 3 is a front elevational view thereof;  
FIG. 4 is a rear elevational view thereof;  
FIG. 5 is a left side elevational view thereof;  
FIG. 6 is a right side elevational view thereof;  
FIG. 7 is a top plan view thereof; and,  
FIG. 8 is a bottom plan view thereof.

**1 Claim, 8 Drawing Sheets**



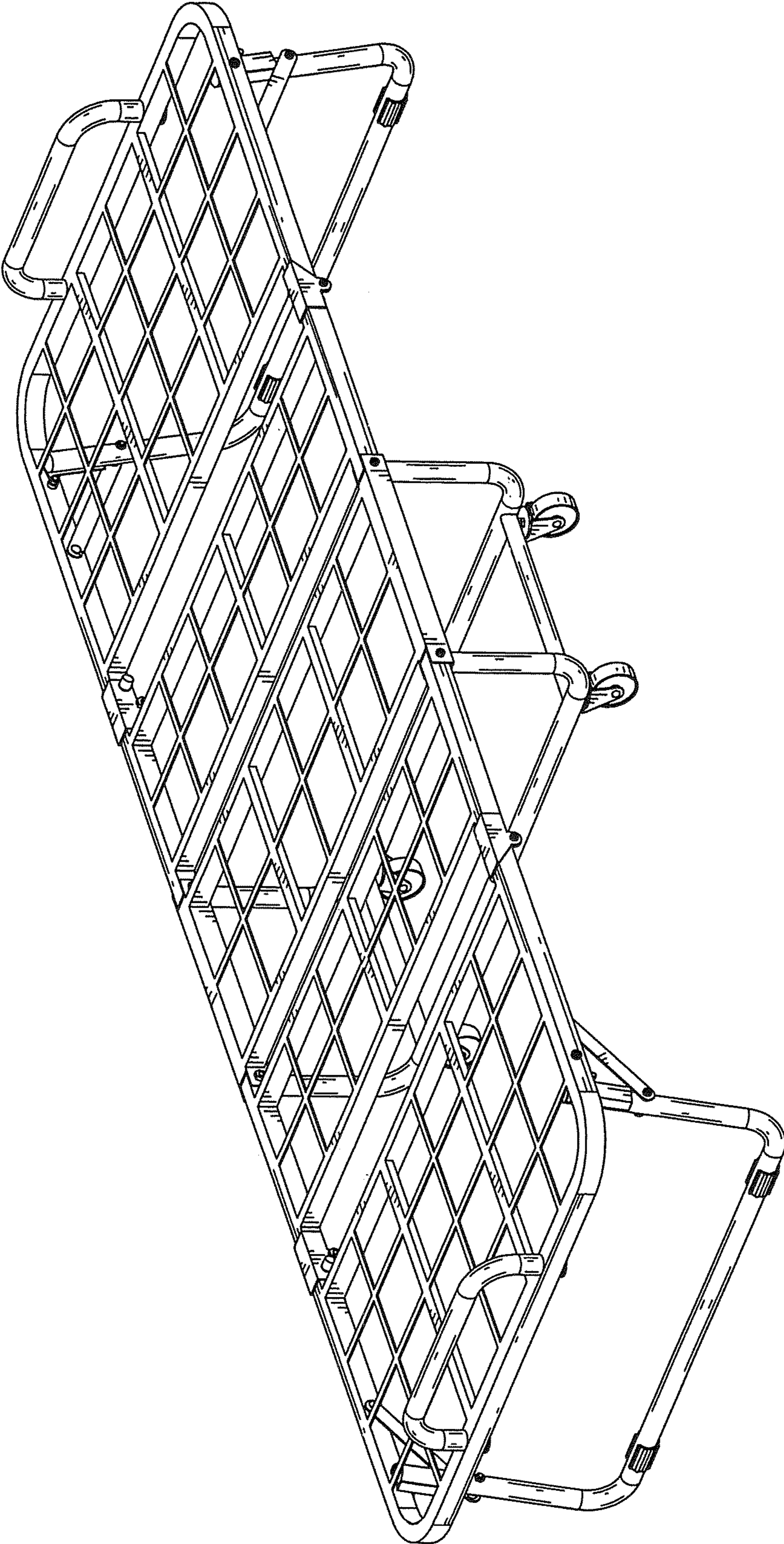


FIG.1

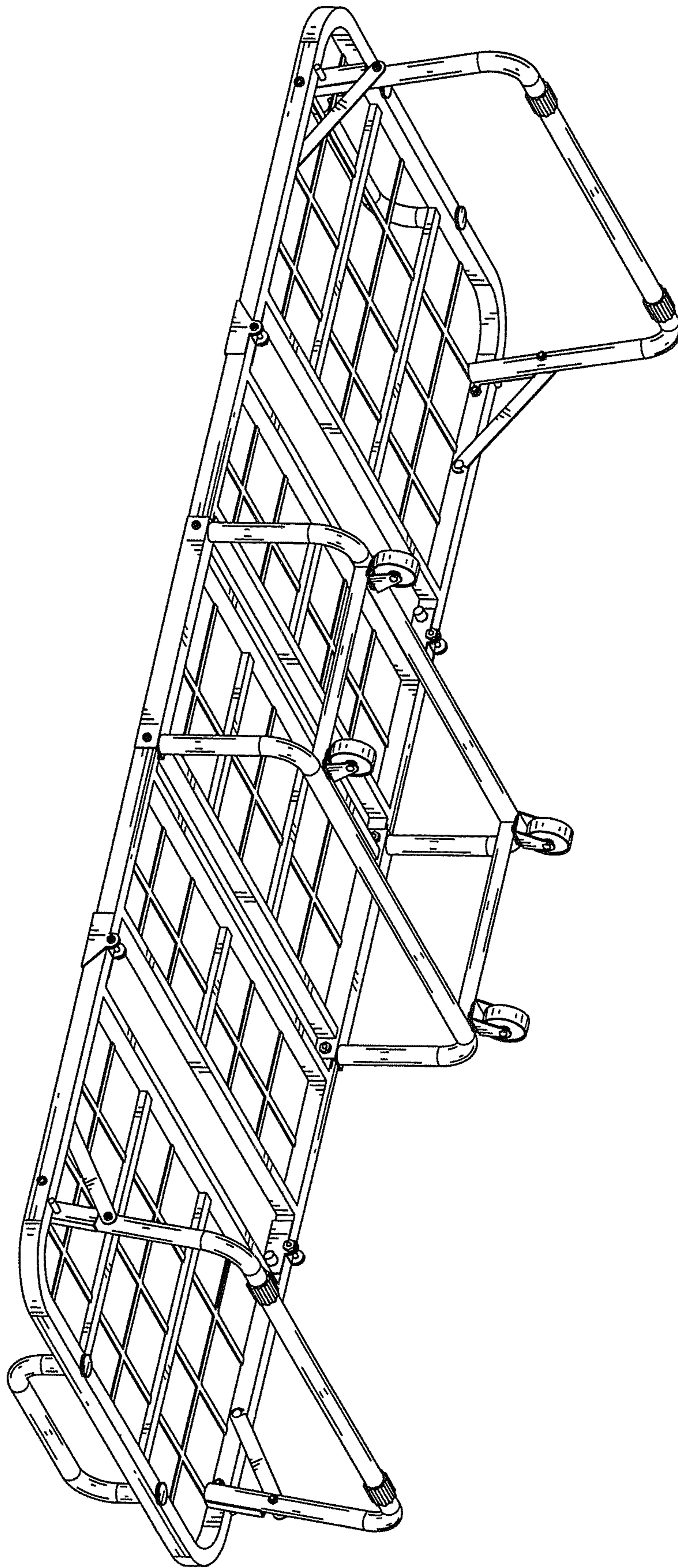


FIG.2

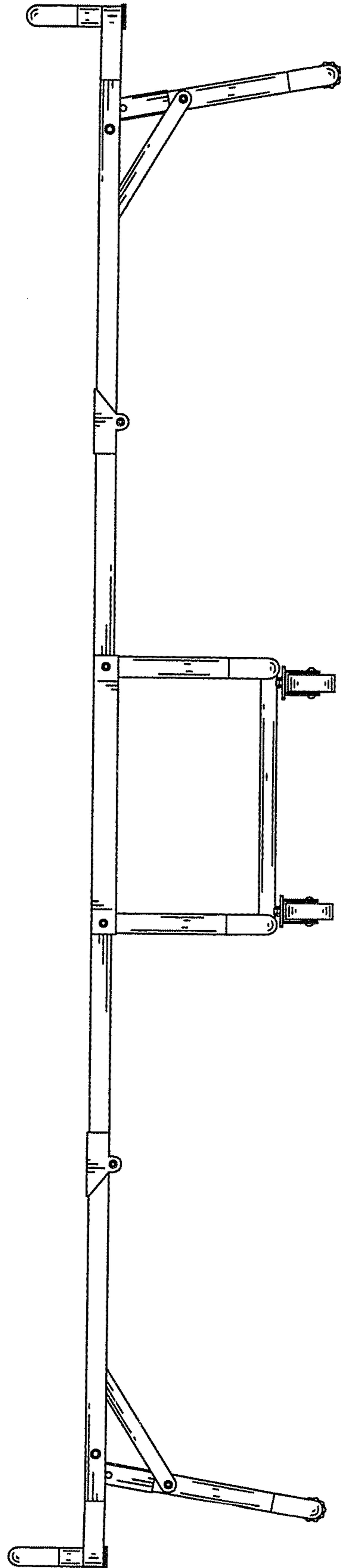


FIG. 3

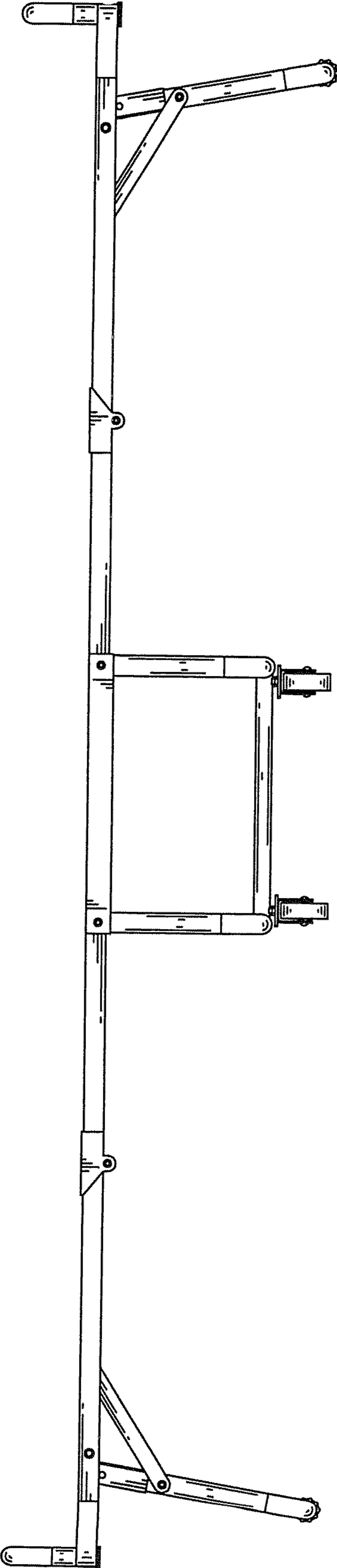


FIG.4

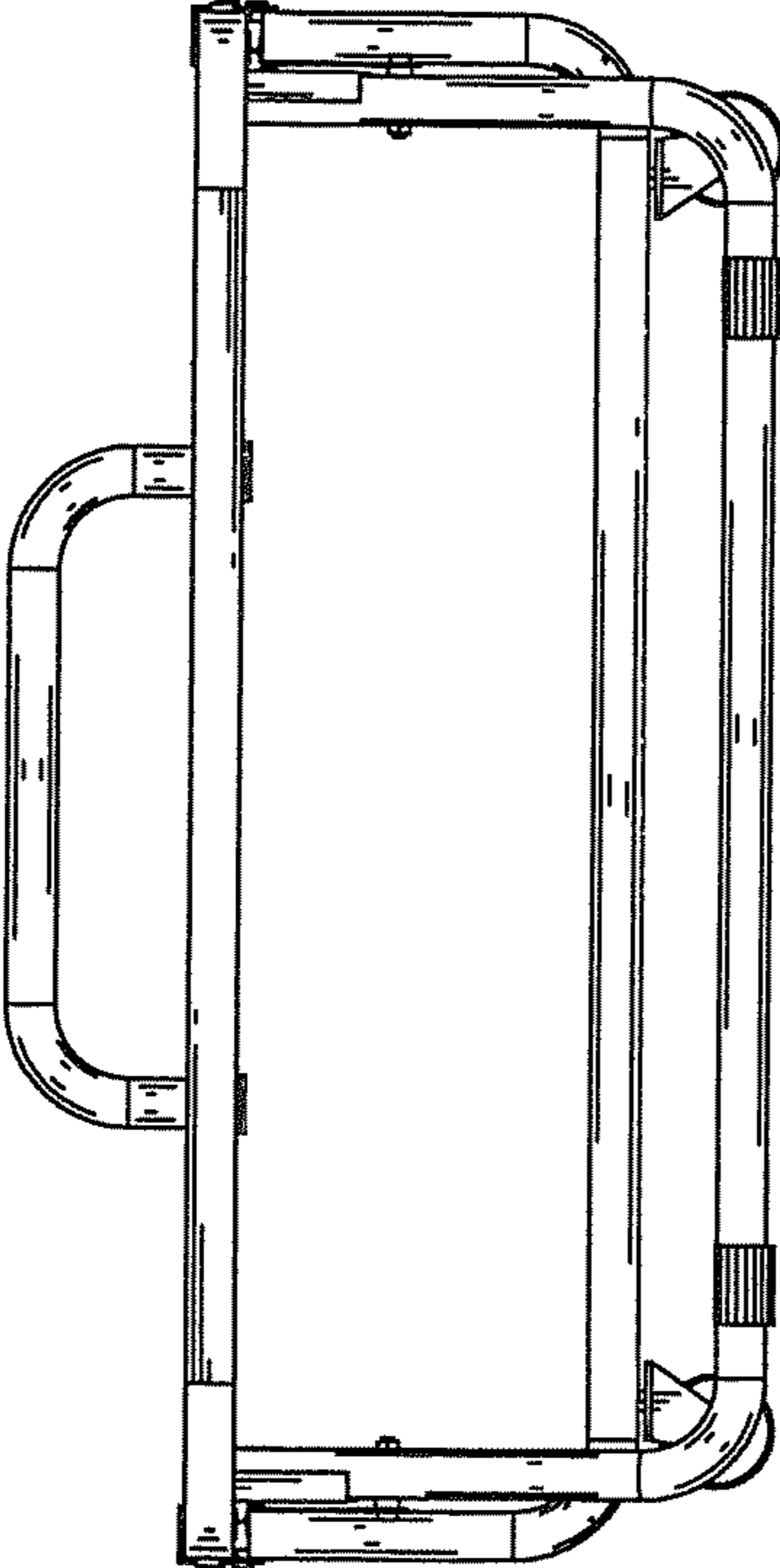


FIG.5

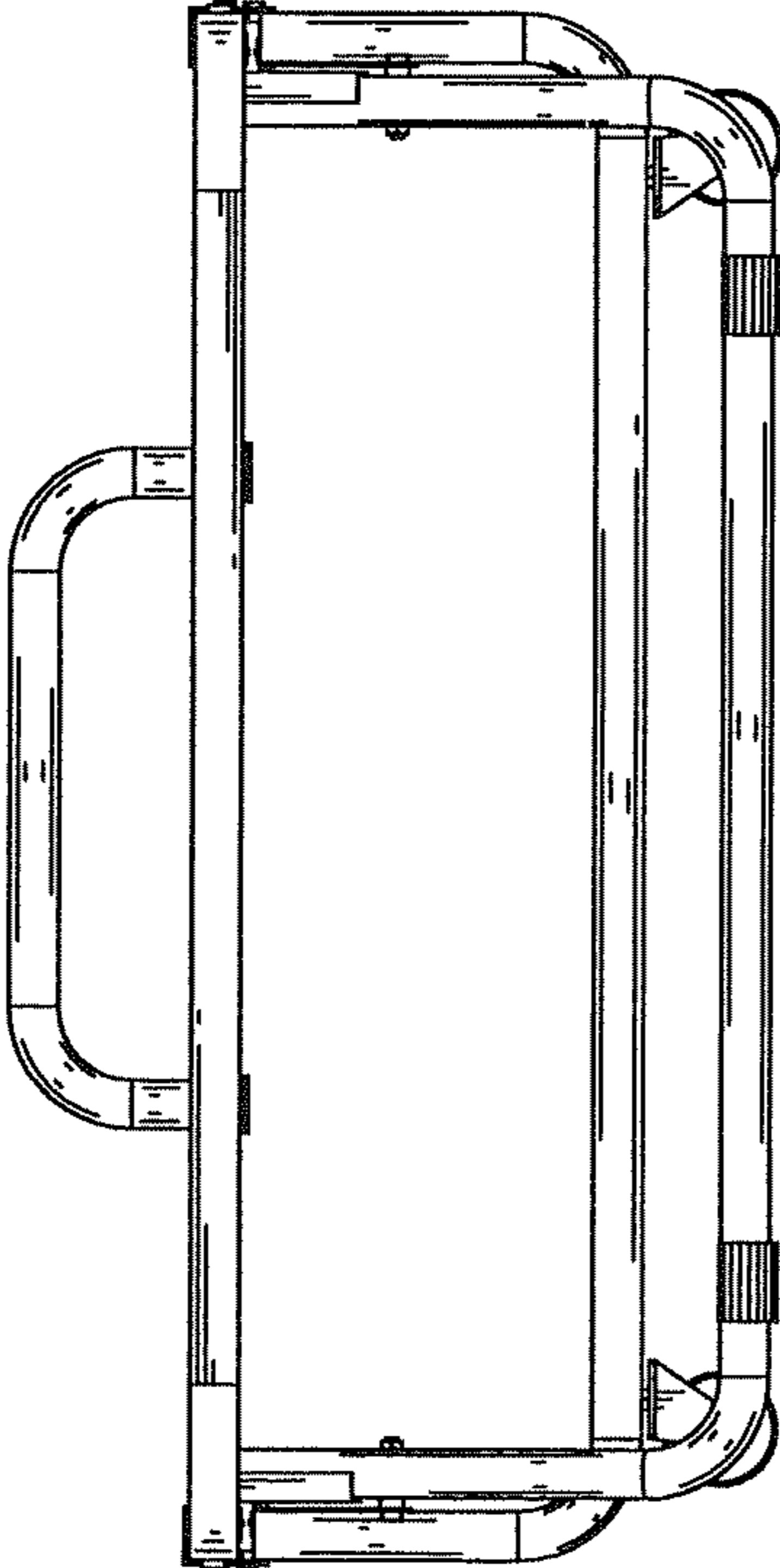


FIG.6

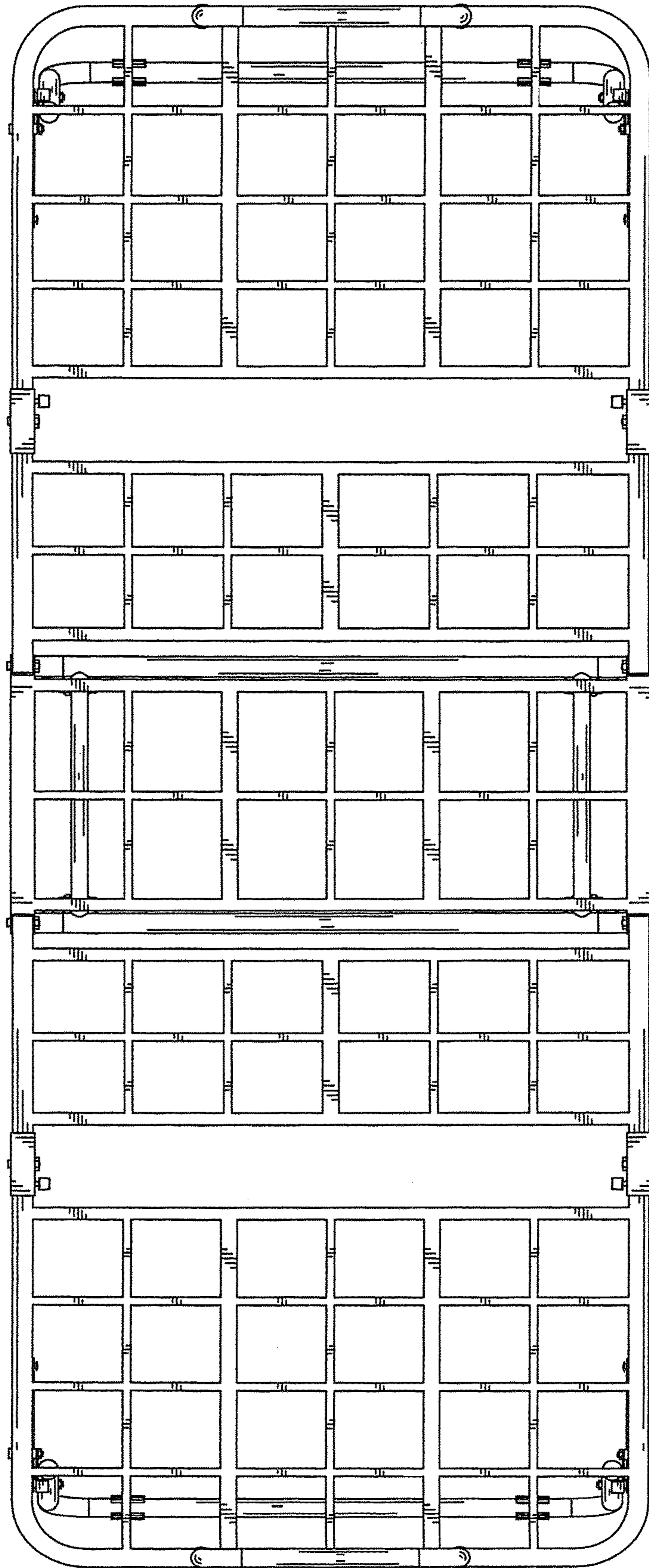


FIG. 7



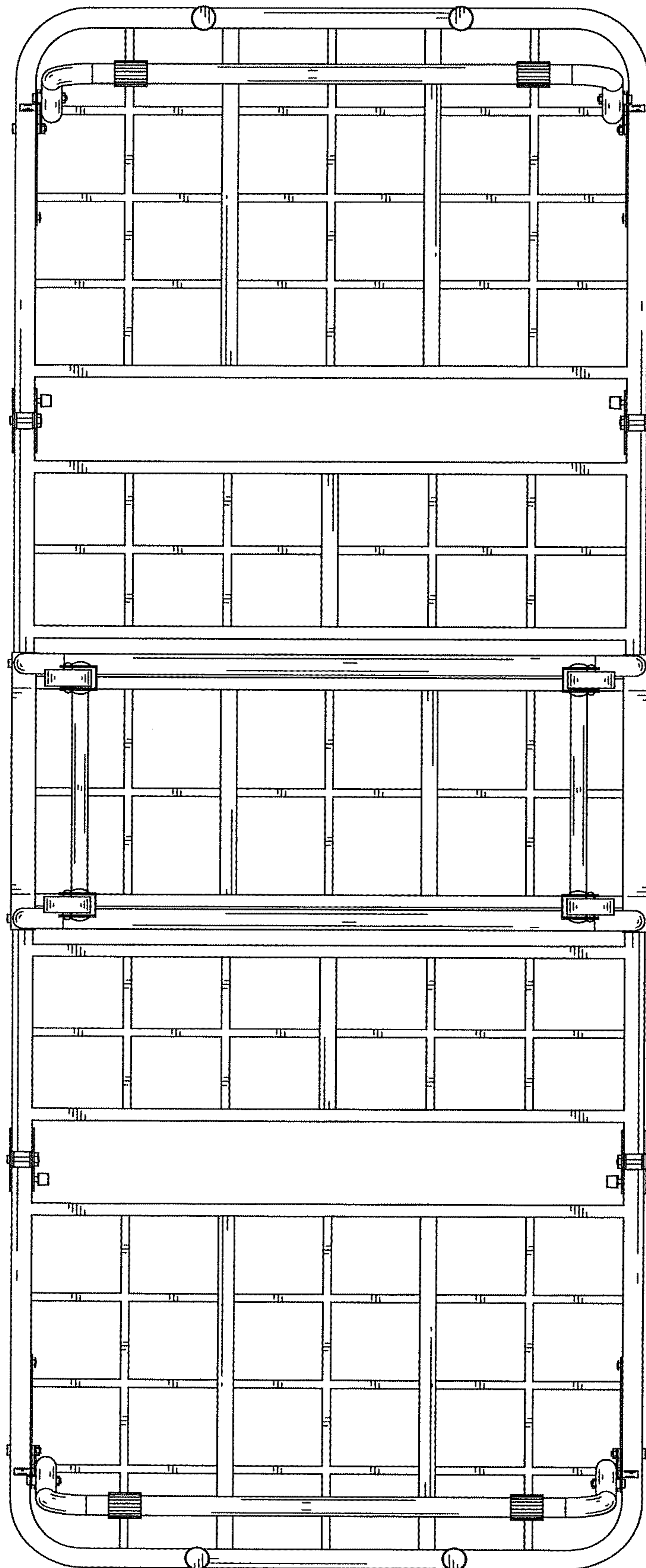


FIG. 8