



US00D906000S

(12) **United States Design Patent** (10) **Patent No.:** **US D906,000 S**  
**Hernandez** (45) **Date of Patent:** **\*\* Dec. 29, 2020**

(54) **BED FRAME** 8,359,985 B2 \* 1/2013 Wangdak ..... A47B 47/042  
108/158.12  
(71) Applicant: **David Hernandez**, High Point, NC 9,556,605 B2 \* 1/2017 Elliott ..... A63H 33/008  
(US) D810,458 S \* 2/2018 Cartier ..... D6/384  
10,362,879 B2 \* 7/2019 Lee ..... A47C 19/005  
(72) Inventor: **David Hernandez**, High Point, NC D862,104 S \* 10/2019 Suzuki ..... D6/383  
(US) D862,105 S \* 10/2019 Liu ..... D6/393  
2010/0093257 A1 \* 4/2010 Elliott ..... A47C 4/03  
446/478  
(73) Assignee: **United Finishers, Inc.**, High Point, NC 2013/0111662 A1 \* 5/2013 Hayek ..... A47C 19/04  
(US) 5/236.1  
2017/0065091 A1 \* 3/2017 Rodgers ..... A47C 19/021  
(\*\*) Term: **15 Years** (Continued)

(21) Appl. No.: **29/659,810**

(22) Filed: **Aug. 13, 2018**

(51) **LOC (12) Cl.** ..... **06-02**

(52) **U.S. Cl.**  
USPC ..... **D6/382**

(58) **Field of Classification Search**  
USPC ..... D6/382-384, 393-395, 709, 718  
CPC ..... A47C 19/00; A47C 19/005; A47C 19/021;  
A47C 19/022; A47C 19/025; A47C  
19/04; A47C 23/00; A47C 23/06; A47C  
23/061; A47C 23/062; A47B 13/04  
See application file for complete search history.

(56) **References Cited**

**U.S. PATENT DOCUMENTS**

2,203,780 A \* 6/1940 Gatz ..... A47B 25/003  
248/165  
2,657,964 A \* 11/1953 Watrous ..... A47B 13/06  
108/157.17  
4,300,455 A \* 11/1981 Ornati ..... A47B 13/04  
108/156  
6,174,116 B1 \* 1/2001 Brand ..... B60P 7/14  
410/121  
6,619,601 B1 \* 9/2003 Vall ..... A47B 13/02  
108/158.12  
D488,938 S \* 4/2004 DiPersia ..... D6/709  
D657,150 S \* 4/2012 Hughes ..... D6/361  
D658,412 S \* 5/2012 Hoyord ..... D6/716.1

**OTHER PUBLICATIONS**

Raku Japanese Style Platform Bed, Amazon.com, internet archive date of Jun. 22, 2015, site visited Apr. 6, 2020, available online at <https://web.archive.org/web/20150622005028/https://www.amazon.com/Japanese-Style-Tatami-Platform-Honey/dp/B00N19RUQO> (Year : 2015).\*

(Continued)

*Primary Examiner* — Cathron C Brooks  
(74) *Attorney, Agent, or Firm* — Tuggle Duggins P.A.;  
Blake P. Hurt

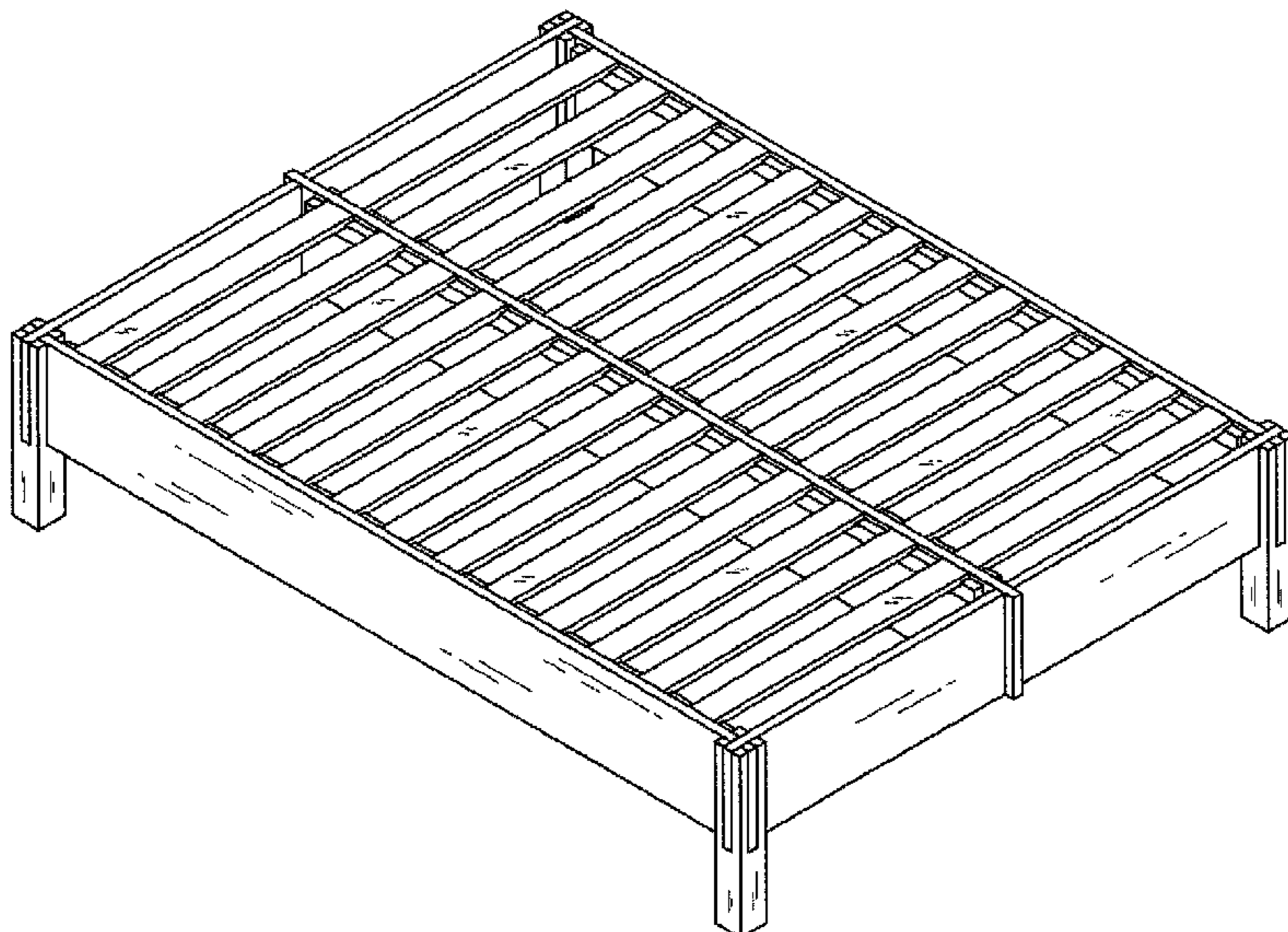
(57) **CLAIM**

The ornamental design for a bed frame, as shown and described.

**DESCRIPTION**

FIG. 1 is a top, front, left side perspective view of an assembled bed frame showing my new design;  
FIG. 2 is a top plan view thereof;  
FIG. 3 is a bottom plan view thereof;  
FIG. 4 is a right side elevational view thereof, the left side elevational view being a mirror image thereof; and,  
FIG. 5 is a rear elevational view thereof, the front elevational view being a mirror image thereof.

**1 Claim, 5 Drawing Sheets**



(56)

**References Cited**

U.S. PATENT DOCUMENTS

2017/0071355 A1\* 3/2017 Oh ..... A47C 19/005  
2017/0238715 A1\* 8/2017 Choi ..... A47C 19/025  
2018/0027977 A1\* 2/2018 Shelby ..... A47C 23/062  
2019/0021508 A1\* 1/2019 Jewett ..... A47C 19/025

OTHER PUBLICATIONS

Platform Bed, Michael Hoy Woodworking, by Perky Alsop, May 7, 2013, site visited Apr. 7, 2020, available online at [blog.michaelhoywoodworking.com/posts/platform-bed](http://blog.michaelhoywoodworking.com/posts/platform-bed) (Year: 2013).\*

Double dado cross half lap joint, Woodworking Talk, Nov. 8, 2011, site visited Apr. 8, 2020, available online at <https://www.woodworkingtalk.com/f5/double-dado-cross-half-lap-joint-31538/> (Year: 2011).\*

Tatami Platform Bed Frame, Tatami Room, internet archive date of Nov. 16, 2016, site visited Dec. 10, 2019, available online at [https://web.archive.org/web/20161116173318/http://www.tatamiroom.com/cgi-local/catalog.pl?category=PLATFORM\\_BEDS-10&show=detail&item=TB](https://web.archive.org/web/20161116173318/http://www.tatamiroom.com/cgi-local/catalog.pl?category=PLATFORM_BEDS-10&show=detail&item=TB) (Year: 2016).\*

\* cited by examiner

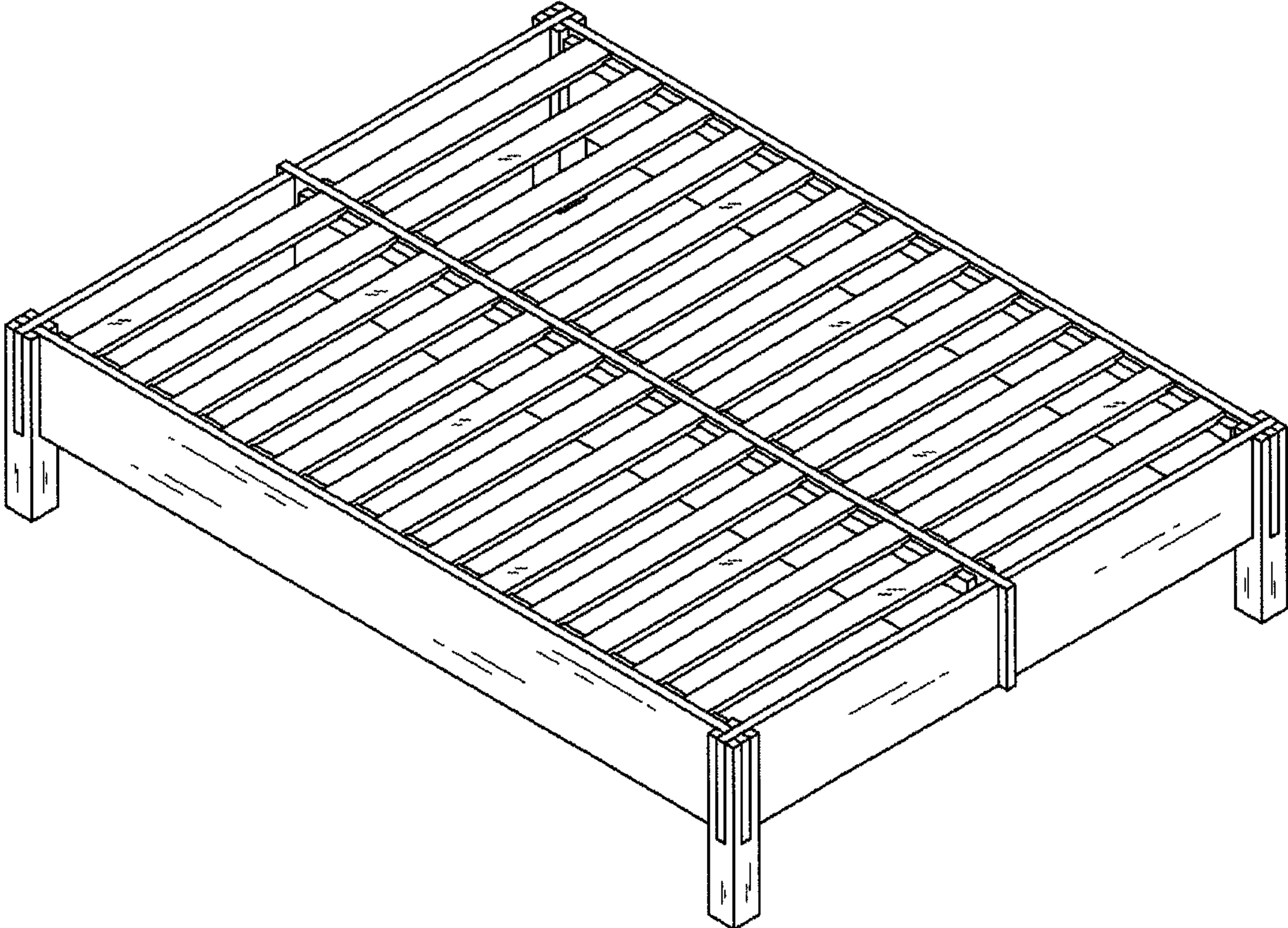


FIG. 1



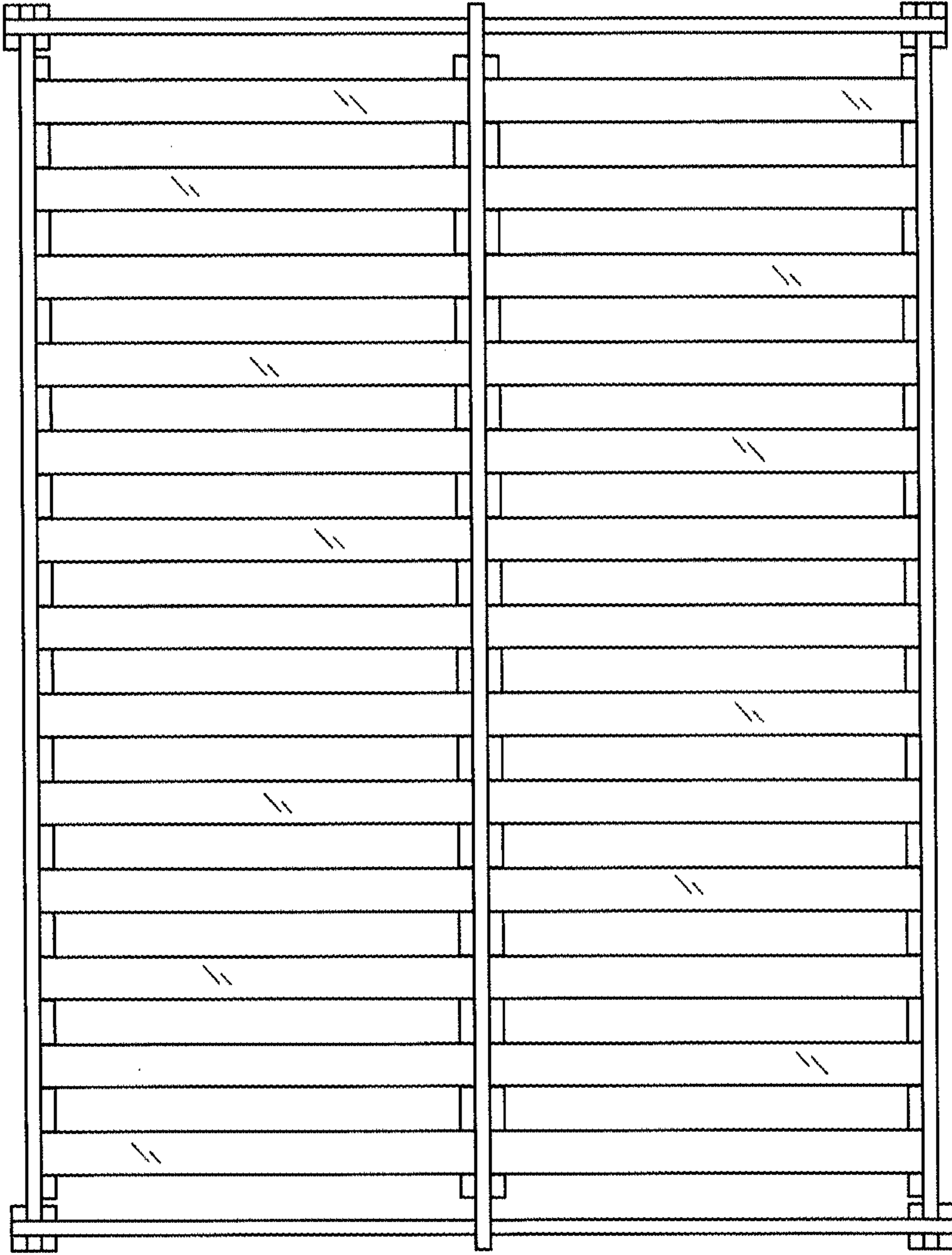


FIG. 2

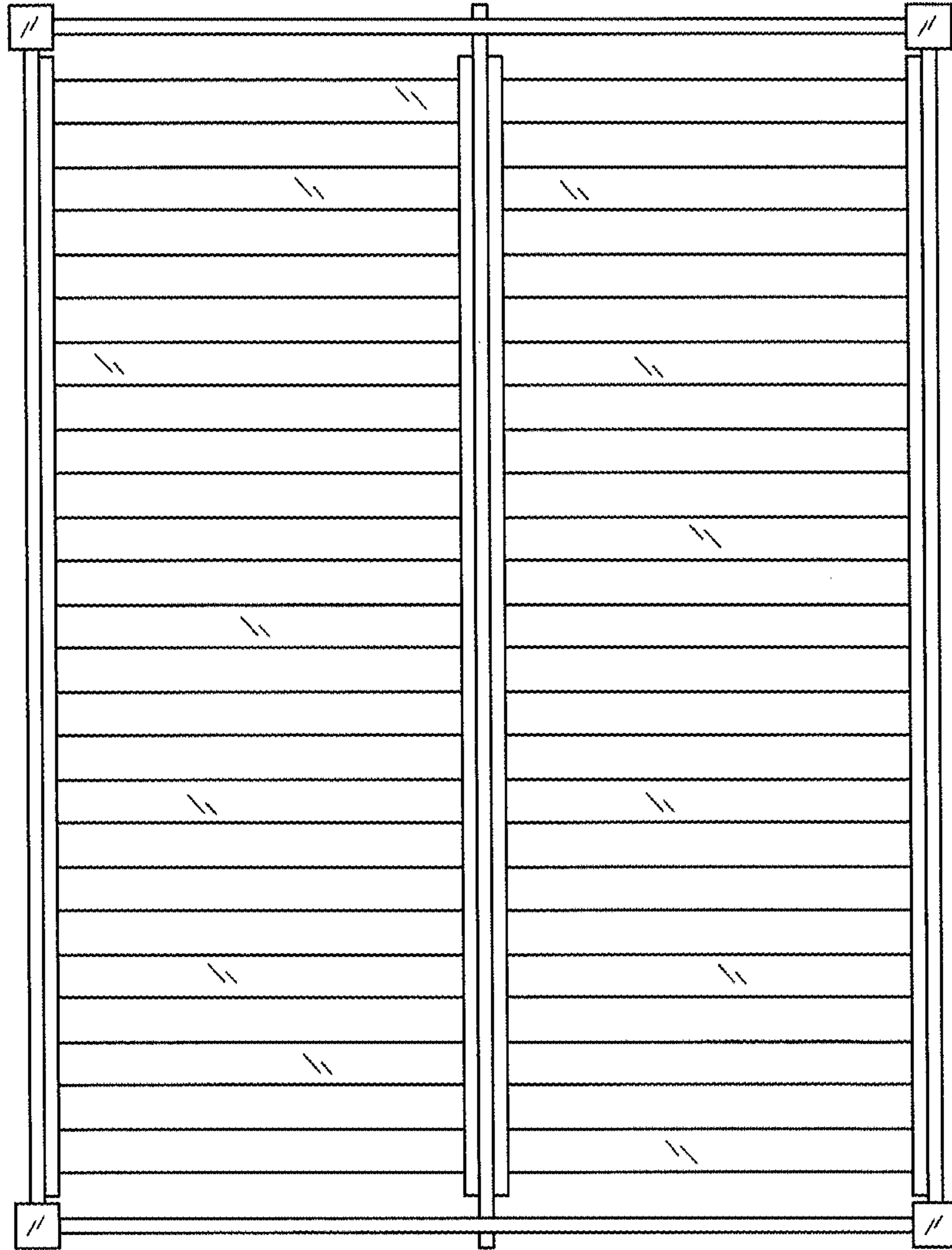


FIG. 3

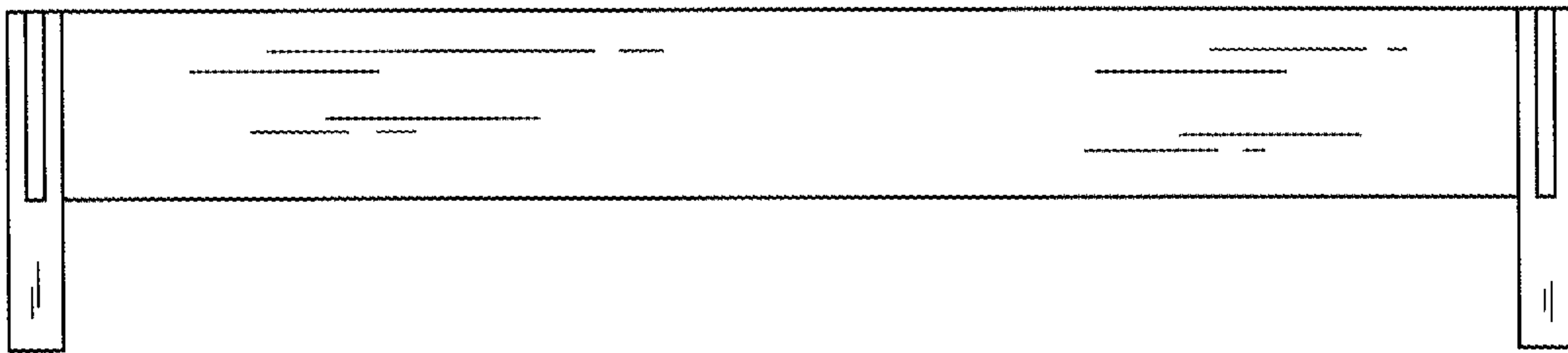


FIG. 4

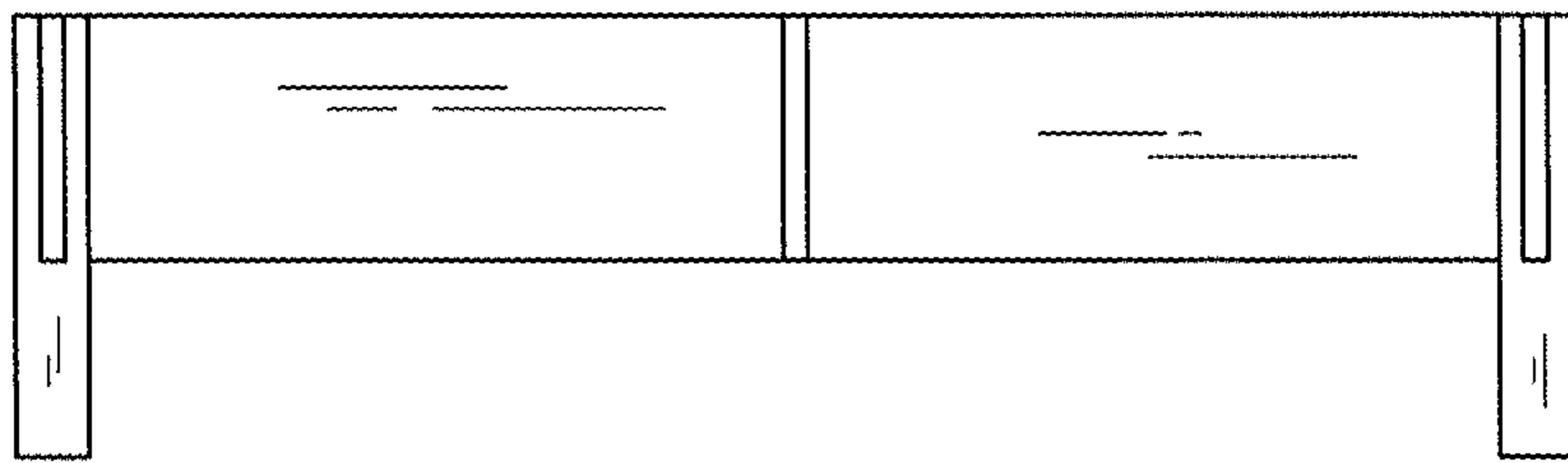


FIG. 5