



US00D905998S

(12) **United States Design Patent** (10) **Patent No.:** **US D905,998 S**
Li (45) **Date of Patent:** **** Dec. 29, 2020**

(54) **CHAIR**
(71) Applicant: **39F USA INC**, Rancho Cucamonga, CA (US)
(72) Inventor: **Yuehai Li**, Rancho Cucamonga, CA (US)

D210,940 S * 5/1968 Eames D6/375
D586,573 S * 2/2009 Saitou D6/349
D672,570 S * 12/2012 Rappaport D6/363
D798,070 S * 9/2017 Iqbal D6/334
D798,617 S * 10/2017 Iqbal D6/334
D839,017 S * 1/2019 Lievore D6/373
D845,658 S * 4/2019 Tham D6/369

(**) Term: **15 Years**
(21) Appl. No.: **29/700,237**

FOREIGN PATENT DOCUMENTS

DE 202014100124 U1 * 1/2015 A47C 1/124

(22) Filed: **Jul. 31, 2019**
(51) **LOC (12) Cl.** **06-01**
(52) **U.S. Cl.**
USPC **D6/375**

* cited by examiner

Primary Examiner — Kevin K Rudzinski
Assistant Examiner — Paul D Bohannon
(74) *Attorney, Agent, or Firm* — Feng Qian

(58) **Field of Classification Search**
USPC D6/333, 334, 341, 348, 349, 350, 352, D6/353, 360, 364, 369, 370, 371, 373, D6/374, 375, 376, 377, 379, 380, 390, D6/677, 692, 700, 708, 708.16, 716, 363; D16/237; D21/412, 419, 521
CPC A47C 1/124; A47C 3/34; A47C 4/028; A47C 4/02; A47C 5/12; A47C 5/125; A47C 7/506; A47C 9/007; A47C 13/005; A47C 13/023; A47C 31/113; B60R 2/0284; B60R 2/062; B60R 22/001; B60R 22/24; B60R 22/28; B60R 22/58; B60R 22/64; B60R 22/68; B60R 22/80; B60R 22/99; B60R 22/245; B60R 22/643; B60R 22/665; B60R 22/686; B60R 22/688; B60R 22/803; B60R 22/986; B60R 22/914; B60R 22/995
See application file for complete search history.

(57) **CLAIM**

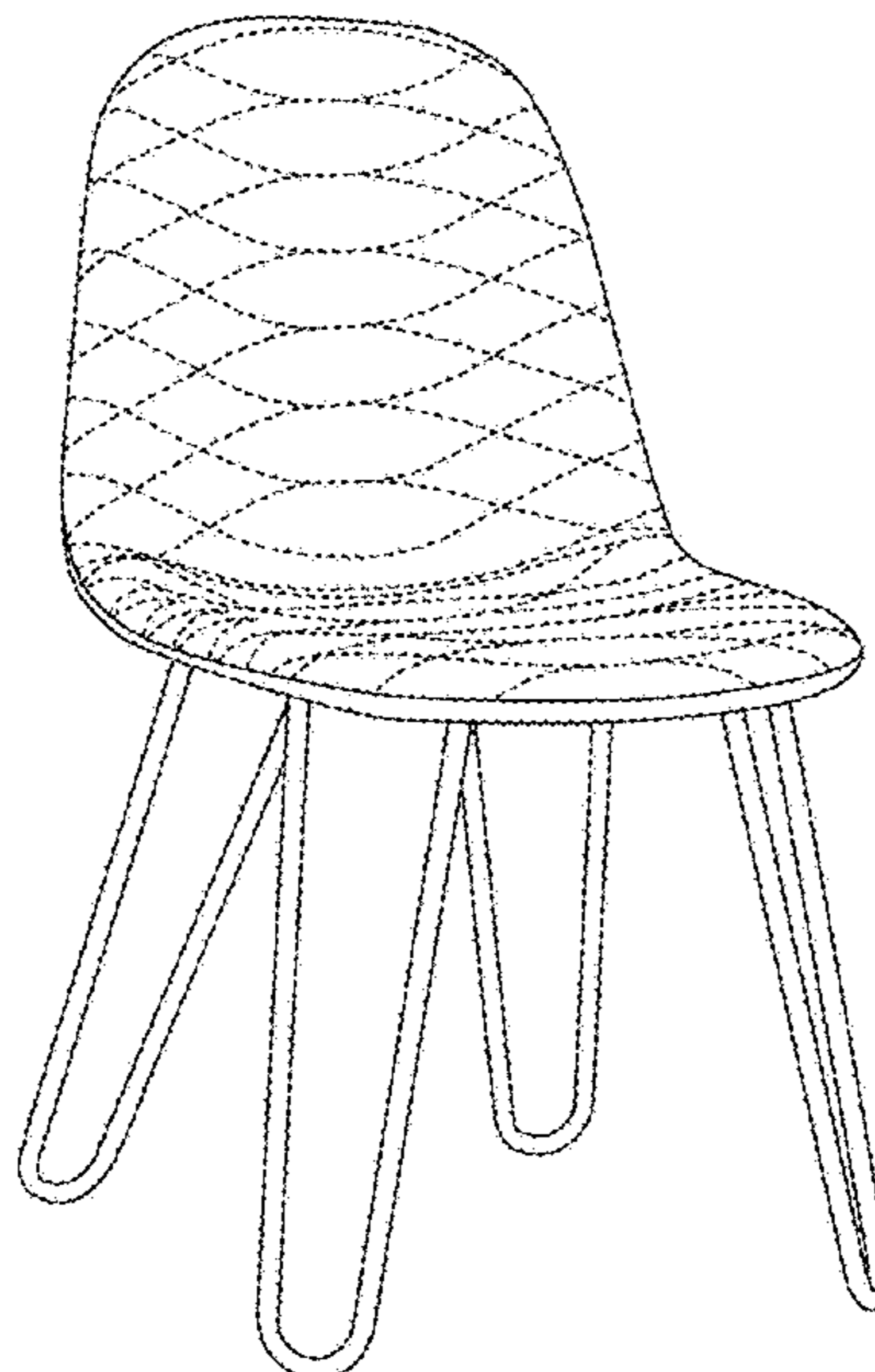
The ornamental design for a chair, as shown and described.

DESCRIPTION

FIG. 1 is a front perspective view of a chair showing my new design;
FIG. 2 is a front elevation view thereof;
FIG. 3 is a rear elevation view thereof;
FIG. 4 is a left-side elevation view thereof;
FIG. 5 is a right-side elevation view thereof;
FIG. 6 is a top plan view thereof; and,
FIG. 7 is a bottom plan view thereof.
The broken lines shown in the drawings are for the purpose of illustrating portions of the article, and form no part of the claimed design.

(56) **References Cited**
U.S. PATENT DOCUMENTS
2,708,476 A * 5/1955 Eames A47C 3/12
297/452.64
D181,995 S * 1/1958 Odor D6/369

1 Claim, 7 Drawing Sheets



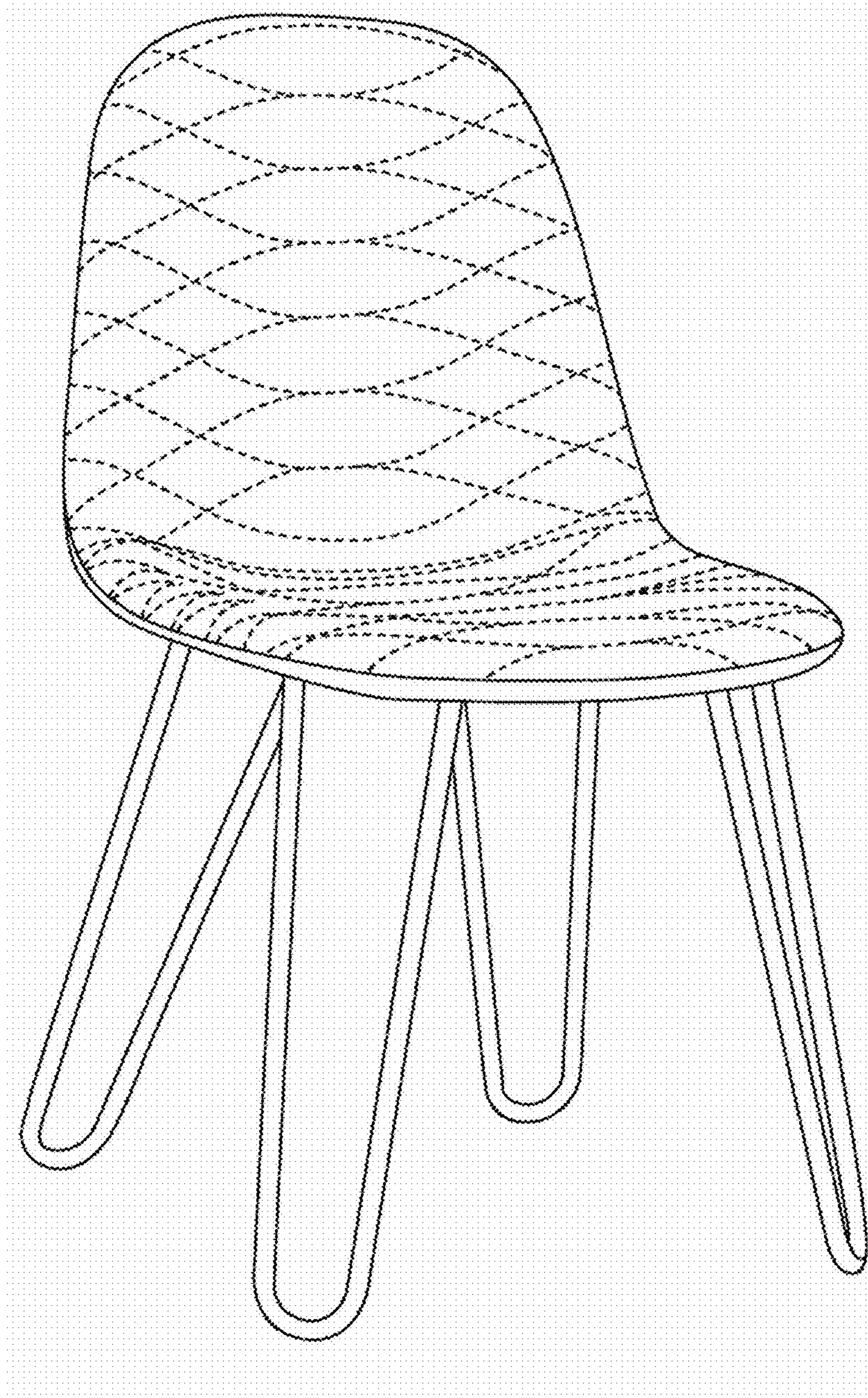


Fig.1

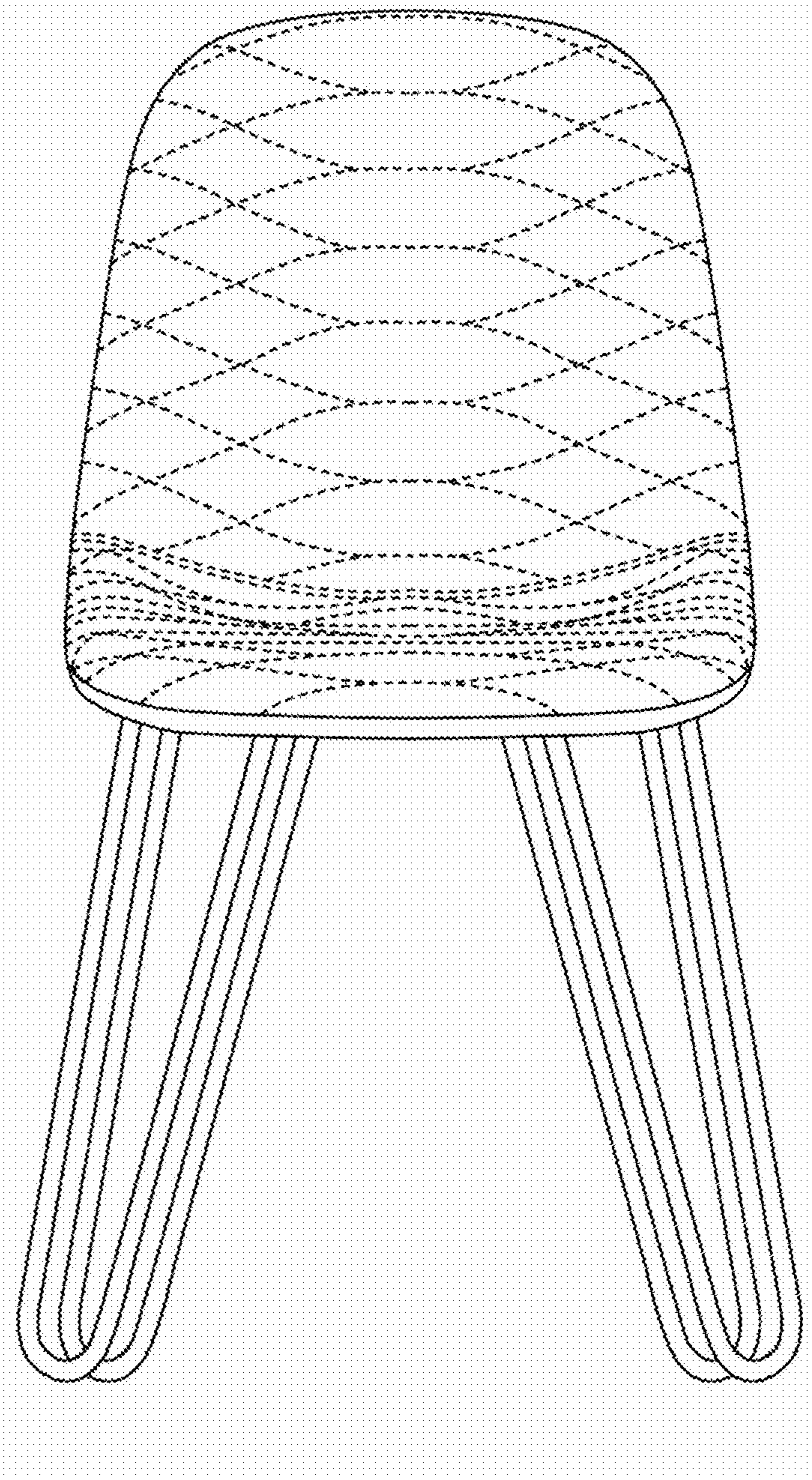


Fig.2

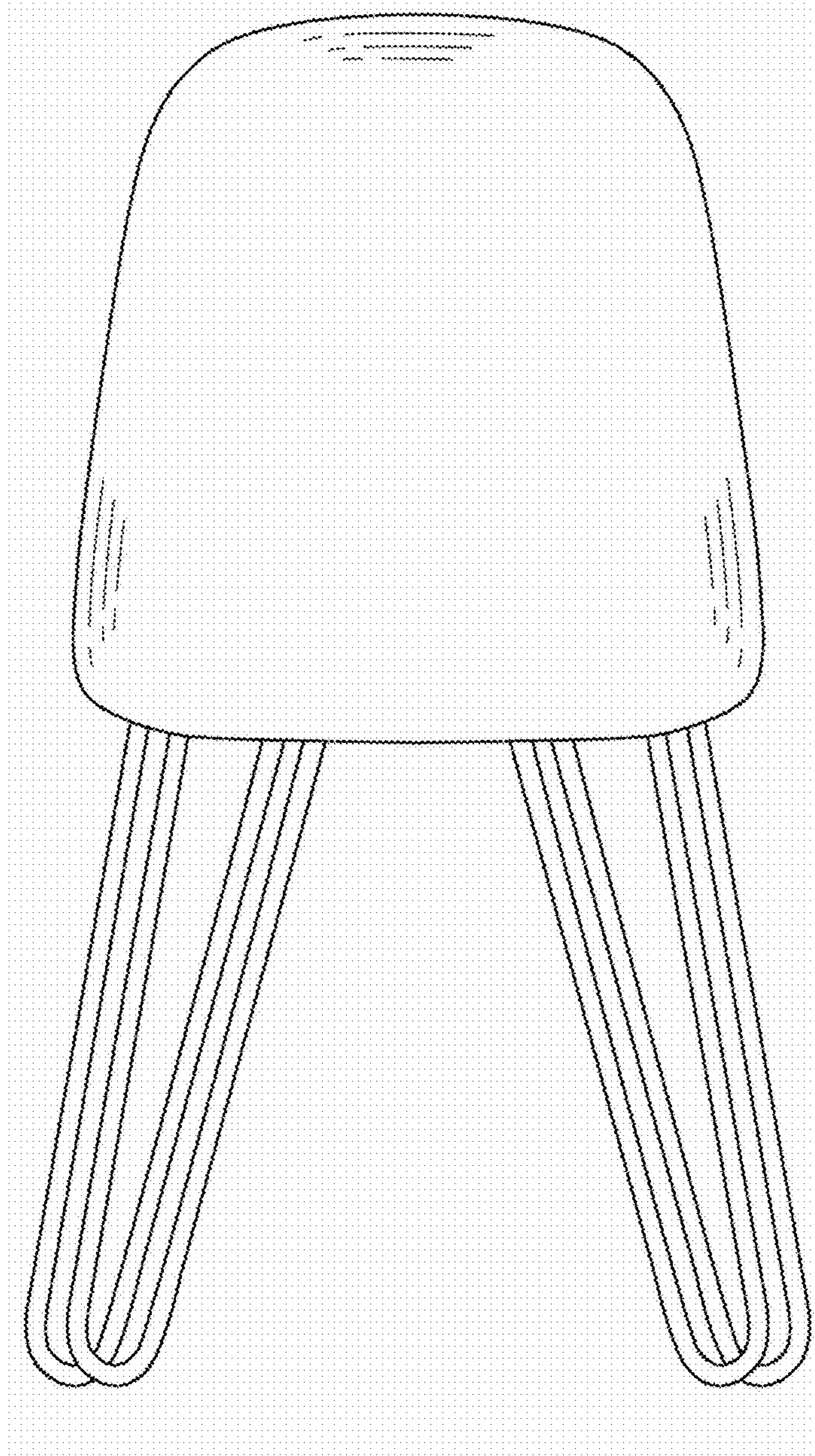


Fig.3

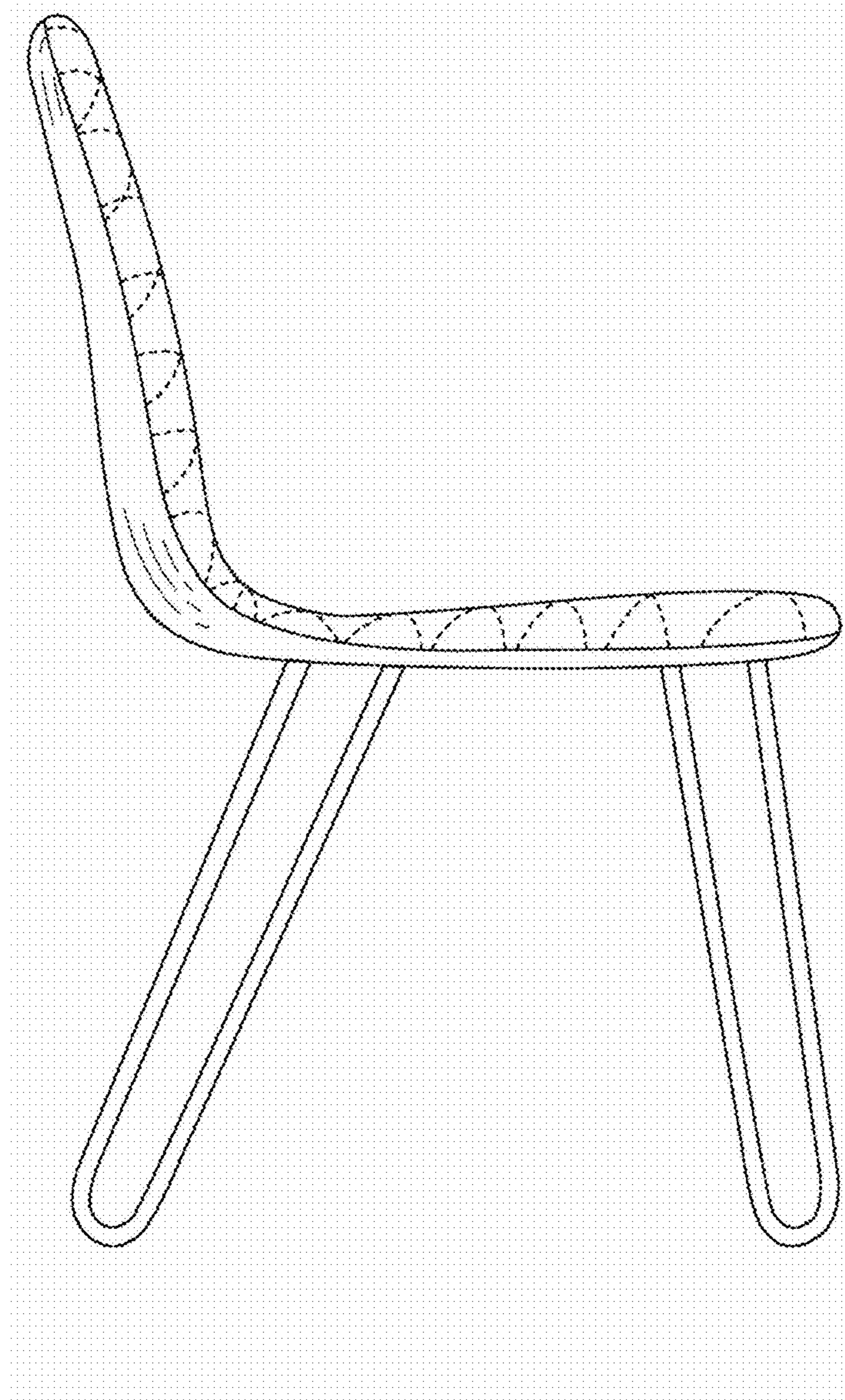


Fig.4

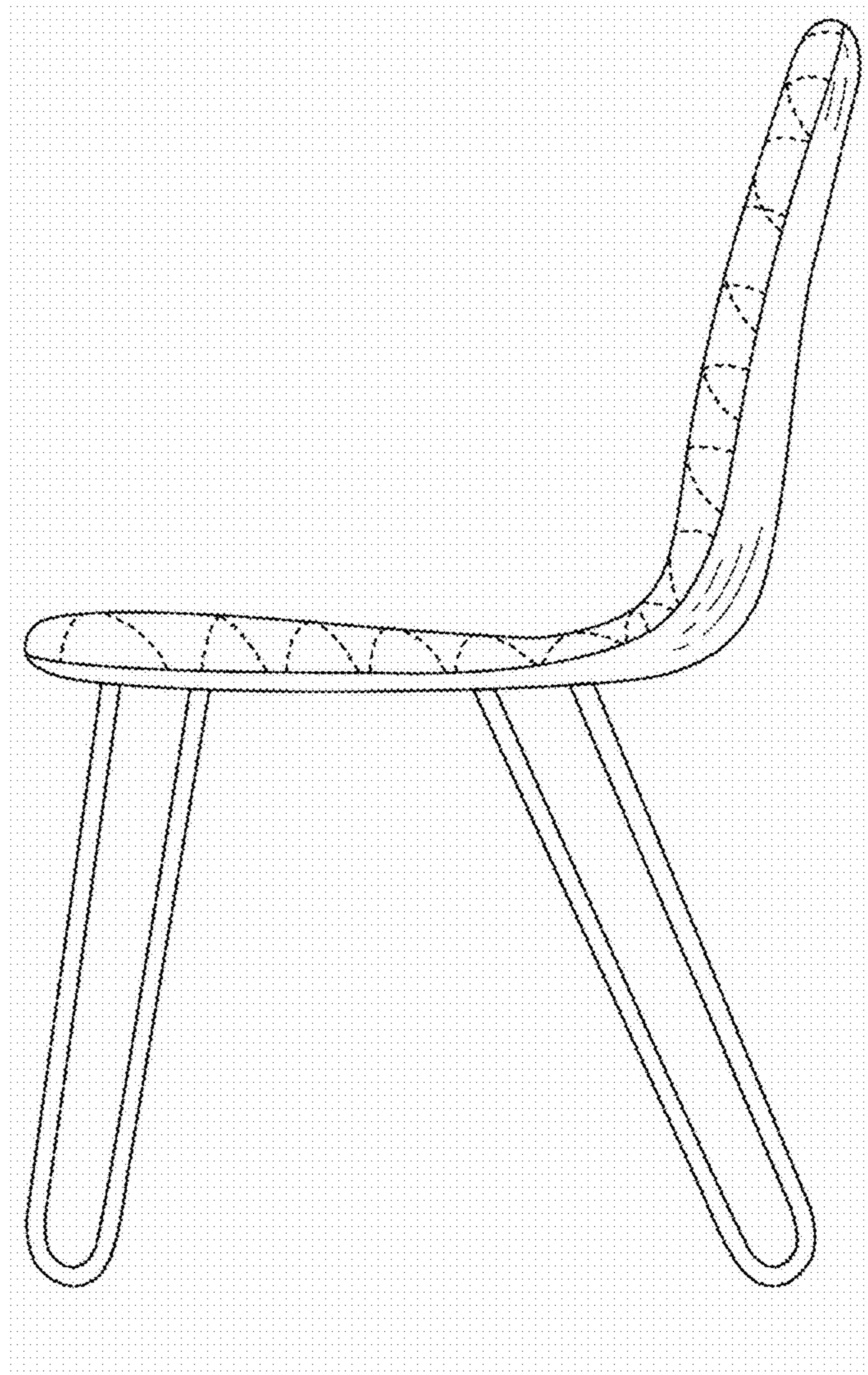


Fig.5

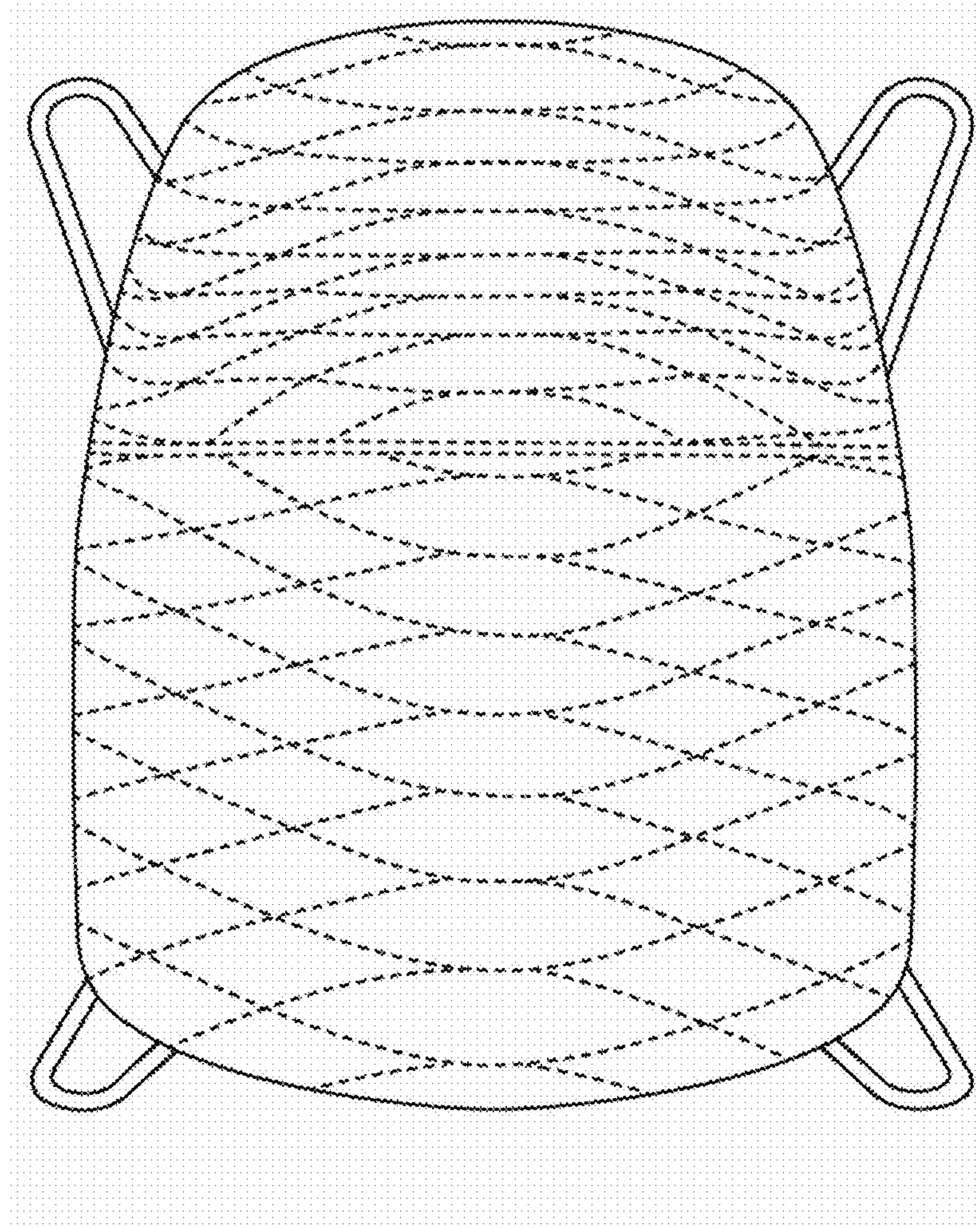


Fig.6

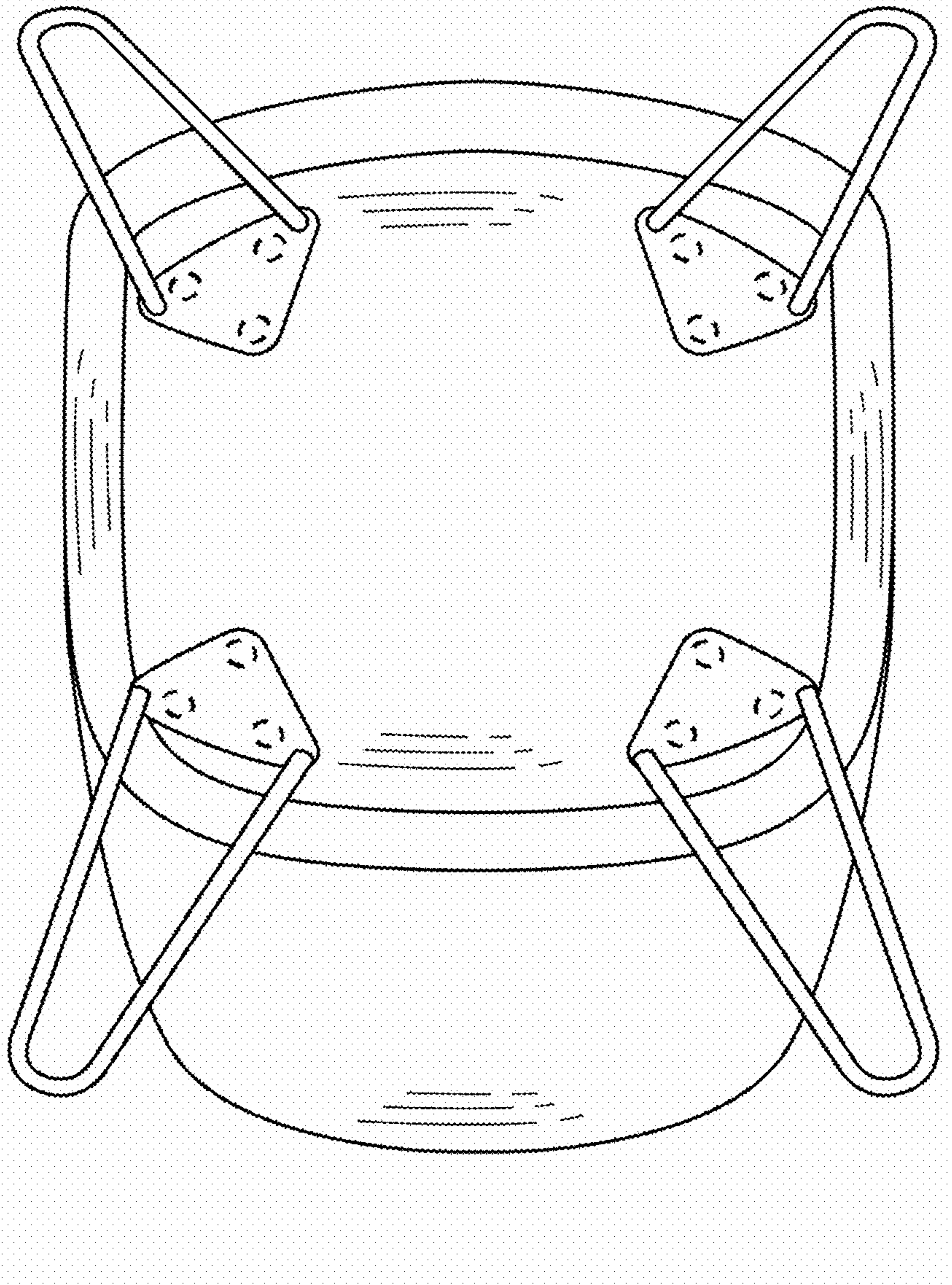


Fig.7