



US00D905996S

(12) **United States Design Patent** (10) **Patent No.:** **US D905,996 S**
Li (45) **Date of Patent:** **** Dec. 29, 2020**

(54) **CHAIR**

(71) Applicant: **39F USA INC**, Rancho Cucamonga, CA (US)

(72) Inventor: **Yuehai Li**, Rancho Cucamonga, CA (US)

(**) Term: **15 Years**

(21) Appl. No.: **29/700,232**

(22) Filed: **Jul. 31, 2019**

(51) **LOC (12) Cl.** **06-01**

(52) **U.S. Cl.**
USPC **D6/374**

(58) **Field of Classification Search**
USPC D6/333, 334, 341, 348, 349, 350, 352, D6/353, 360, 364, 369, 370, 371, 373, D6/374, 375, 376, 377, 379, 380, 390, D6/677, 692, 700, 708, 708.16, 716, 363; D16/237; D21/412, 419, 521
CPC A47C 1/124; A47C 3/34; A47C 4/028; A47C 4/02; A47C 5/12; A47C 5/125; A47C 7/506; A47C 9/007; A47C 13/005; A47C 13/023; A47C 31/113; B60R 2/0284; B60R 2/062; B60R 22/001; B60R 22/24; B60R 22/28; B60R 22/58; B60R 22/64; B60R 22/68; B60R 22/80; B60R 22/99; B60R 22/245; B60R 22/643; B60R 22/646; B60R 22/665; B60R 22/686; B60R 22/688; B60R 22/803; B60R 22/986; B60R 22/914; B60R 22/995
See application file for complete search history.

(56) **References Cited**

U.S. PATENT DOCUMENTS

3,521,929 A * 7/1970 Pearson A47C 7/02
297/452.14
D249,756 S * 10/1978 Claman D6/334

D281,840 S * 12/1985 Ogg D6/366
D288,506 S * 3/1987 Ochsner D6/375
D569,113 S * 5/2008 Lewis D6/334
D596,413 S * 7/2009 Cagani D6/334
D600,028 S * 9/2009 Starck D6/334
D600,458 S * 9/2009 Starck D6/334
D670,098 S * 11/2012 Urquiola D6/375
D727,648 S * 4/2015 De’Silva D6/373
D730,098 S * 5/2015 Kubryk D6/716
D770,191 S * 11/2016 Bouhaniche D6/334
D770,793 S * 11/2016 Hayon D6/375

(Continued)

OTHER PUBLICATIONS

“Mod” Sep. 27, 2017, article.com, site visited Jul. 28, 2020 <<https://www.article.com/product/2581/mod-blue-berry-armchair>> (Year: 2017).*

(Continued)

Primary Examiner — Kevin K Rudzinski
Assistant Examiner — Paul D Bohannon
(74) *Attorney, Agent, or Firm* — Feng Qian

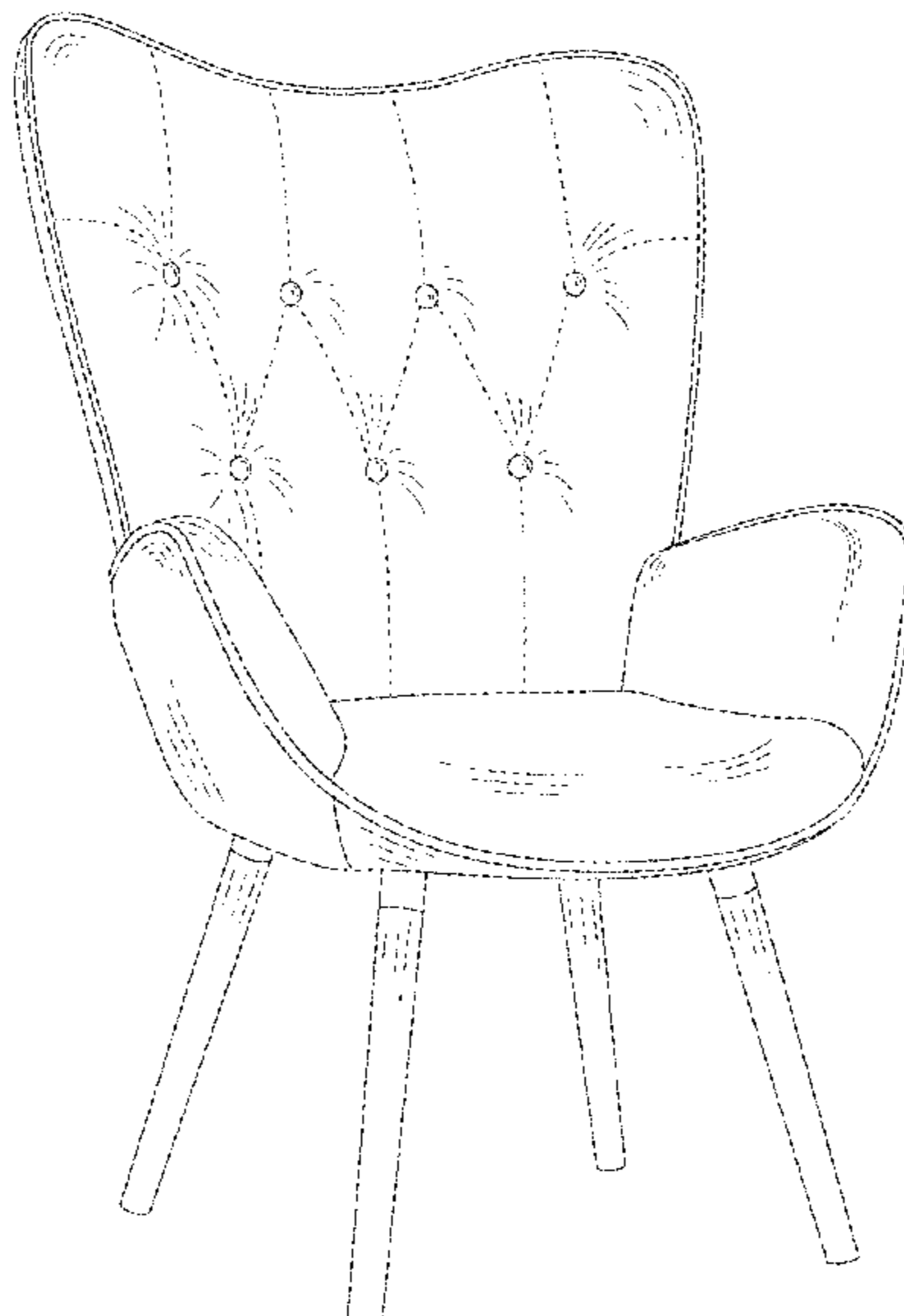
(57) **CLAIM**

The ornamental design for a chair, as shown and described.

DESCRIPTION

FIG. 1 is a front perspective view of a chair showing my new design;
FIG. 2 is a front elevation view thereof;
FIG. 3 is a rear elevation view thereof;
FIG. 4 is a left-side elevation view thereof;
FIG. 5 is a right-side elevation view thereof;
FIG. 6 is a top plan view thereof; and,
FIG. 7 is a bottom plan view thereof.
The broken lines shown in FIGS. 1, 2, and 6 illustrate conventional stitching that forms no part of the claimed design. The broken lines shown in FIG. 7 illustrate portions of the article that form no part of the claimed design.

1 Claim, 7 Drawing Sheets



(56)

References Cited

U.S. PATENT DOCUMENTS

D791,493 S *	7/2017	Schmitt	D6/334
D796,862 S *	9/2017	Martell	D6/375
D858,120 S *	9/2019	Bellini	D6/334
D859,014 S *	9/2019	Lopez	D6/334
D880,885 S *	4/2020	Li	D6/366
D884,379 S *	5/2020	Killinger	D6/374
D885,073 S *	5/2020	Wang	D6/374
D889,873 S *	7/2020	Starck	D6/374

OTHER PUBLICATIONS

“Artiss LANSAR Modern Armchair with Foot Stool in Grey” Nov. 27, 2018, amazon.com.au, site visited Jul. 28, 2020 <https://www.amazon.com.au/Artiss-Armchair-Ottoman-Light-Grey/dp/B07FCFH14X/ref=cm_cr_arp_d_product_top?ie=UTF8> (Year: 2018).*

“Homy Casa Accent Chair Fabric Arm Chair for Living Room Bedroom Wood Leg, Grey” Aug. 14, 2018, amazon.ca, site visited Jul. 28, 2020 <<https://www.amazon.ca/Homy-Casa-Accent-Fabric-Bedroom/dp/B07L9NK758>> (Year: 2018).*

* cited by examiner

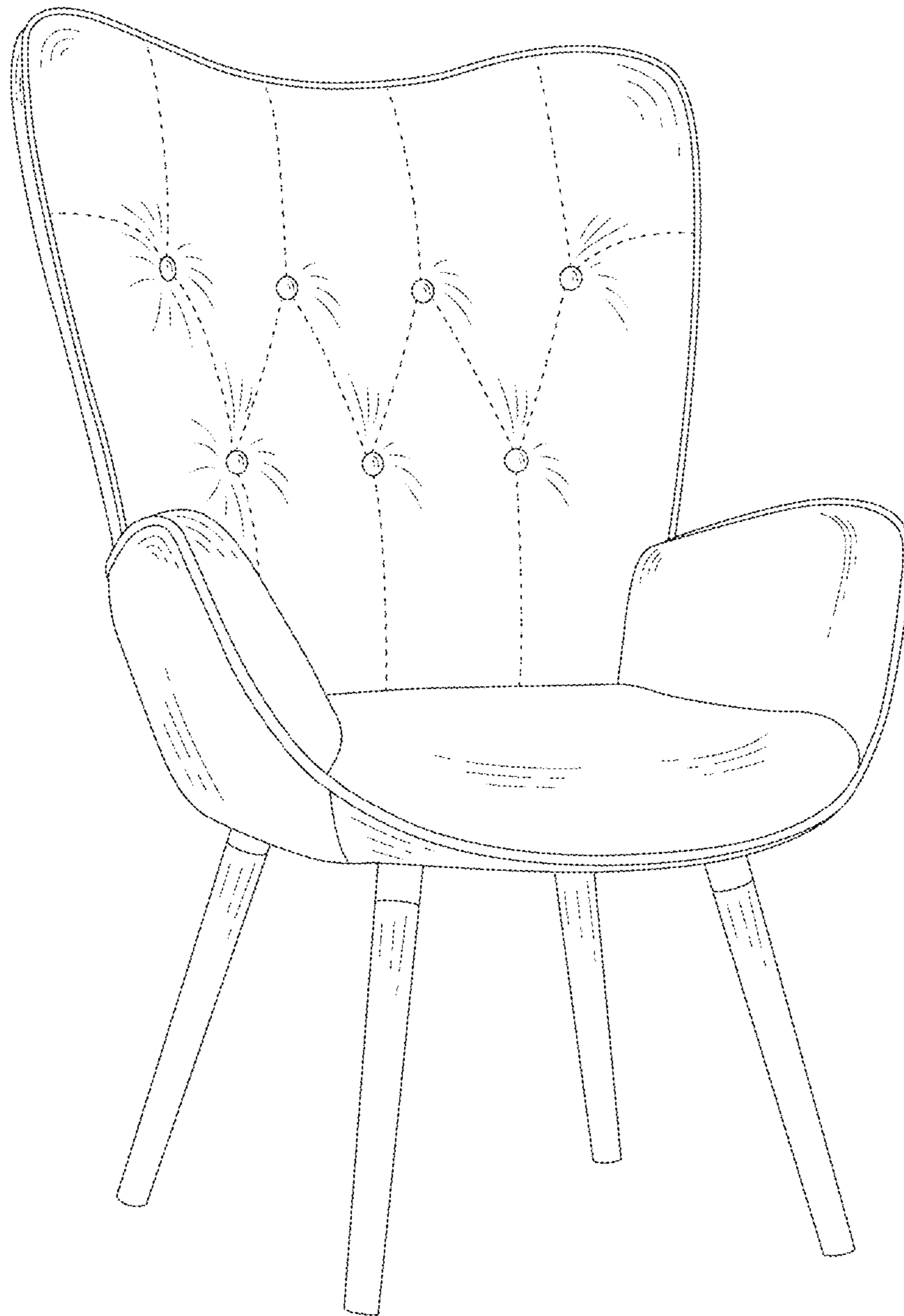


Fig.1

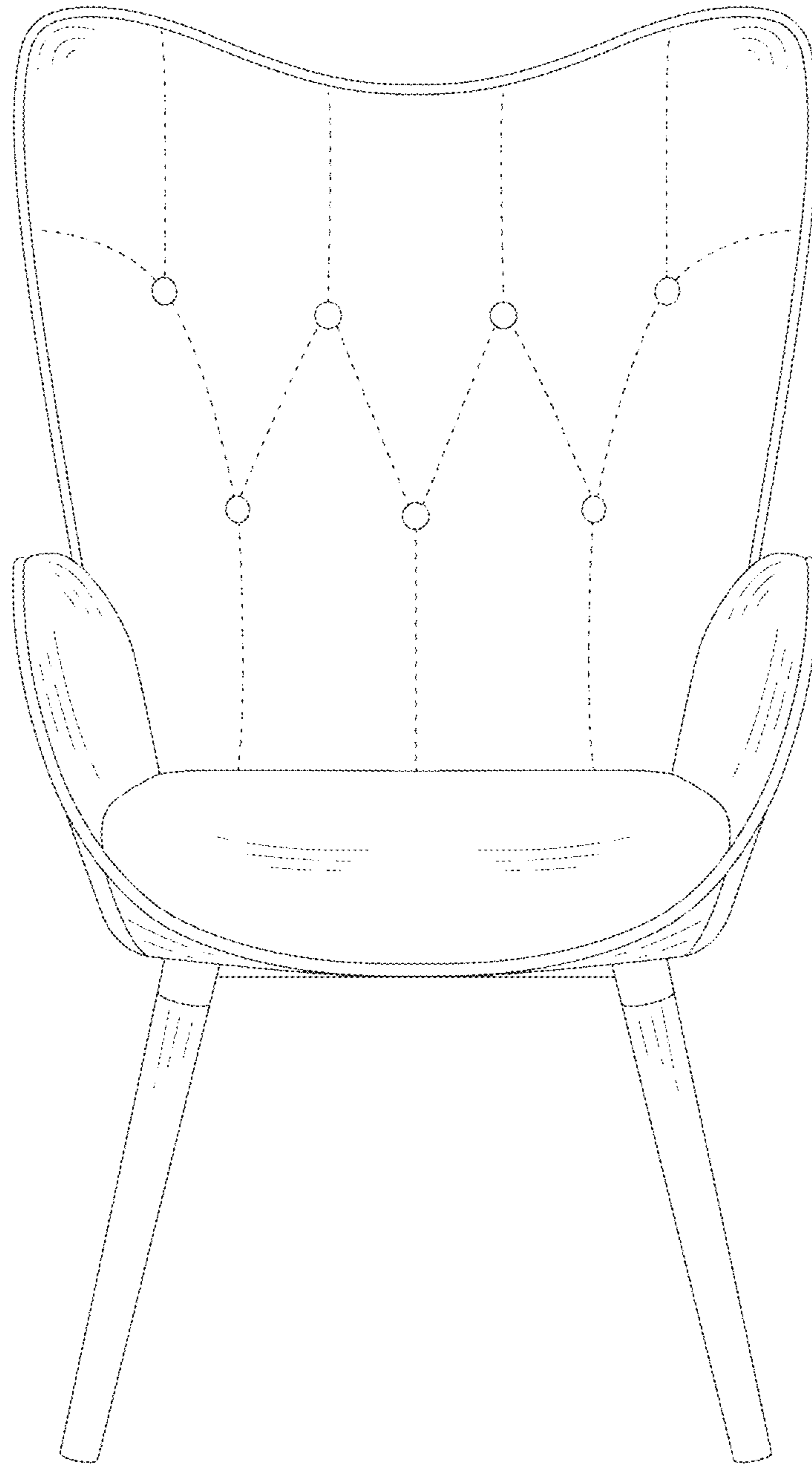


Fig.2

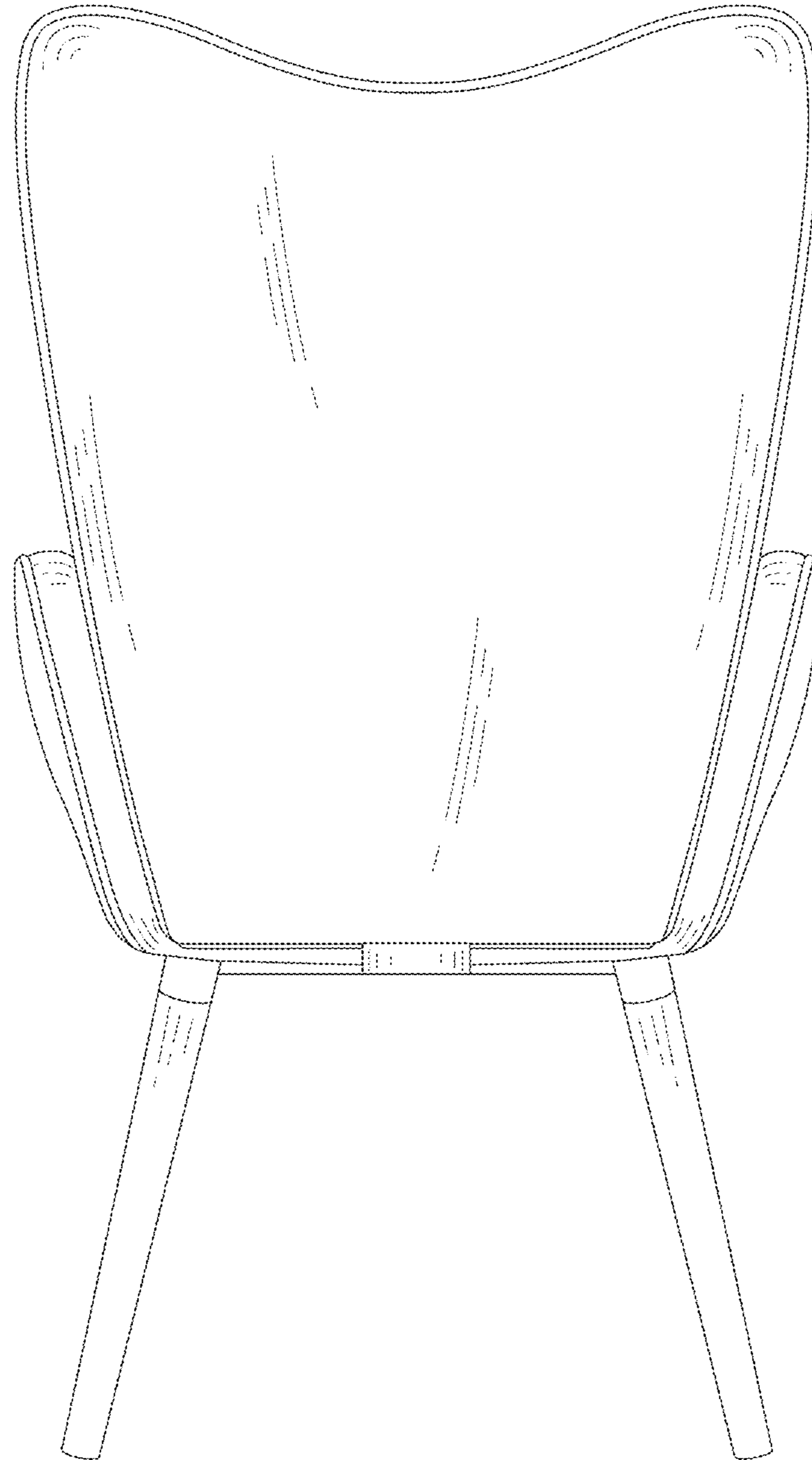


Fig.3

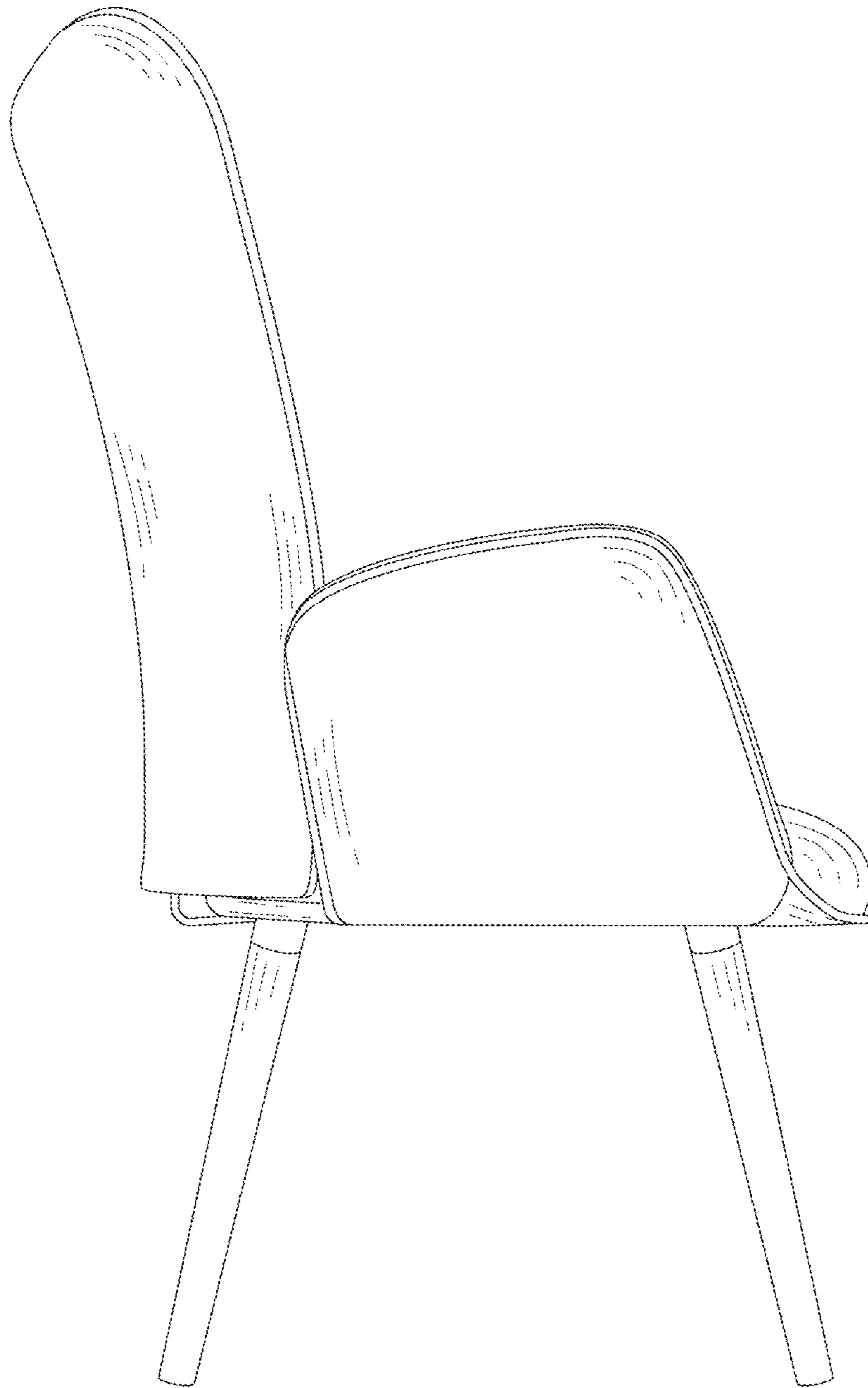


Fig.4

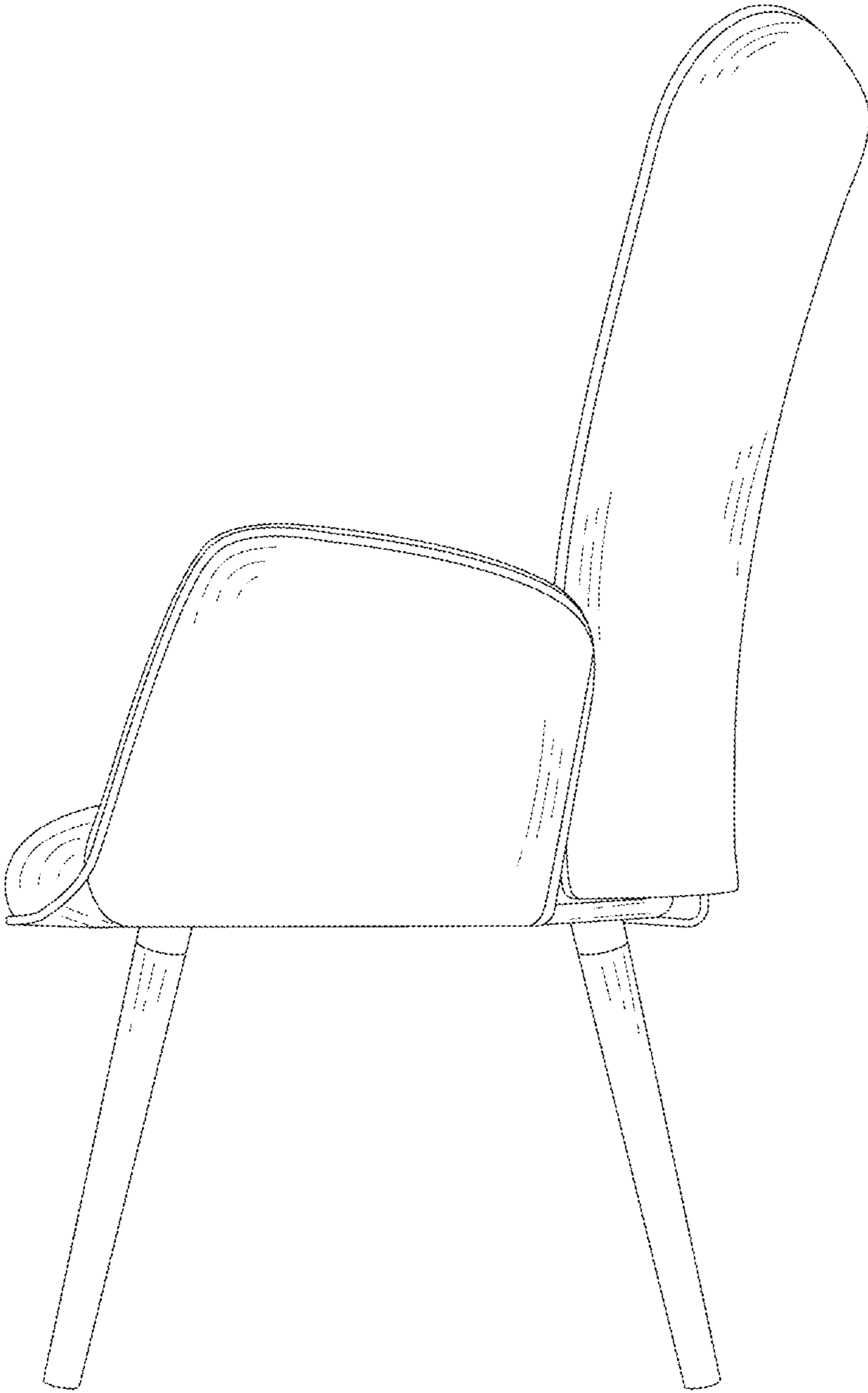


Fig.5

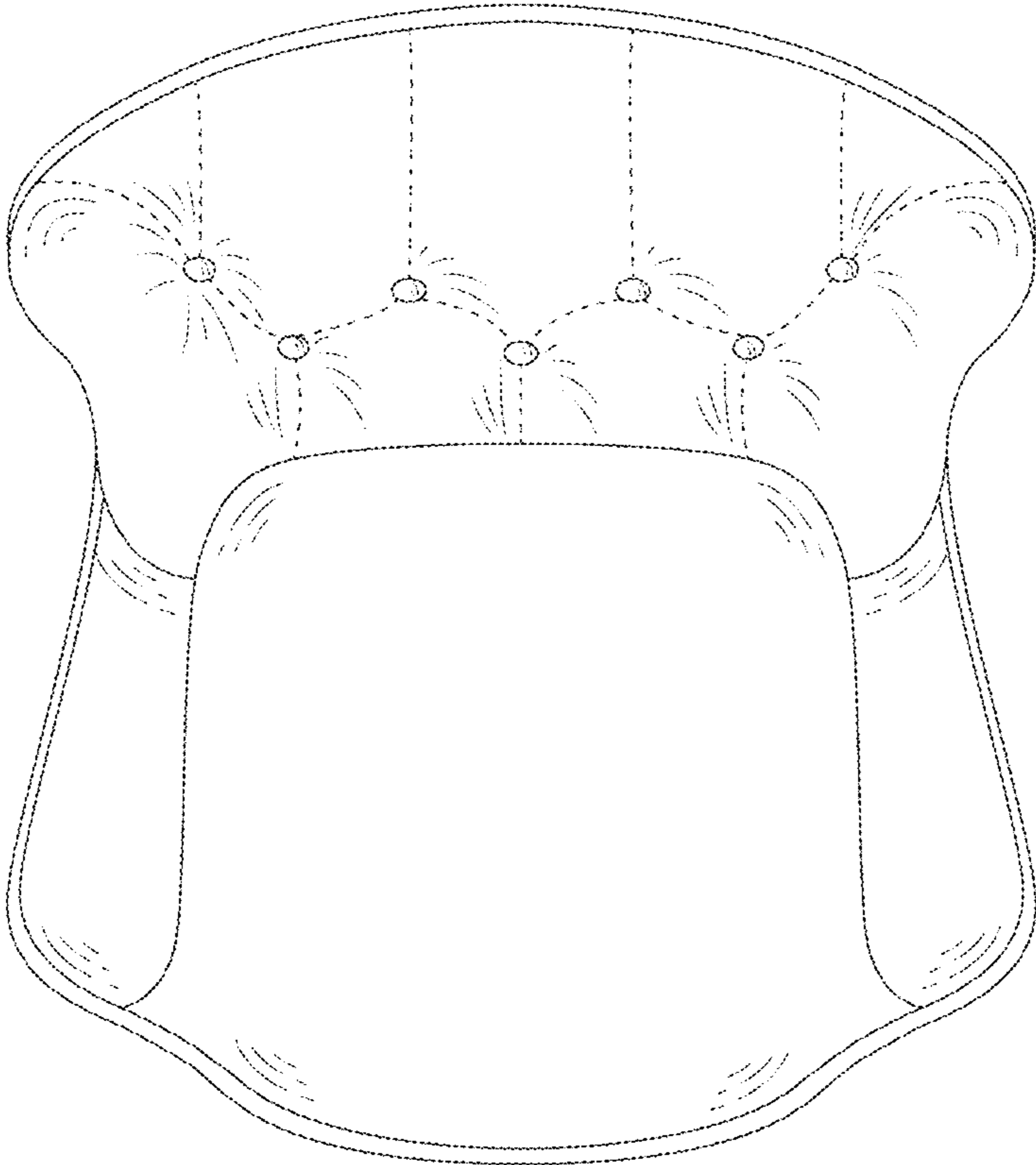


Fig.6

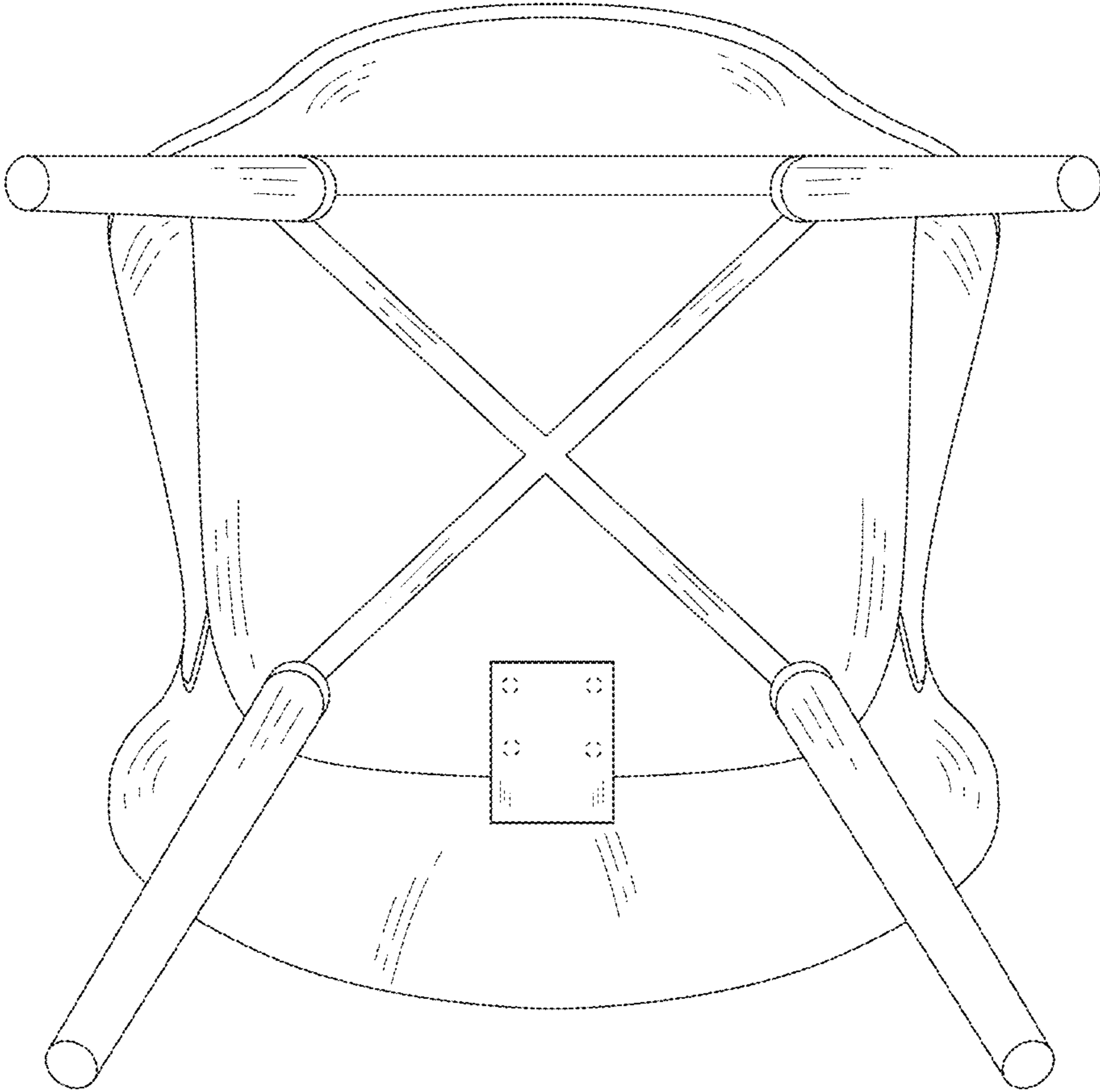


Fig.7