



US00D905994S

(12) **United States Design Patent**
Wu

(10) **Patent No.:** **US D905,994 S**

(45) **Date of Patent:** **** Dec. 29, 2020**

(54) **OFFICE CHAIR**

D809,313 S * 2/2018 Mao D6/366
D878,790 S * 3/2020 Wang D6/366

(71) Applicant: **Wudi Industrial (Shanghai) Co., Ltd.**,
Shanghai (CN)

* cited by examiner

(72) Inventor: **Peng Wu**, Shanghai (CN)

Primary Examiner — Mimoso De

(73) Assignee: **WUDI INDUSTRIAL (SHANGHAI)
CO., LTD.**, Shanghai (CN)

(74) *Attorney, Agent, or Firm* — Frank Gao, Esq.

(57) **CLAIM**

The ornamental design for an office chair, as shown and described.

(**) Term: **15 Years**

DESCRIPTION

(21) Appl. No.: **29/734,273**

FIG. 1 is a front elevational view of an office chair showing our new design in one configuration;

(22) Filed: **May 11, 2020**

FIG. 2 is a left side elevational view of the configuration as shown in FIG. 1;

(51) **LOC (12) Cl.** **06-01**

FIG. 3 is a rear elevational view of the configuration as shown in FIG. 1;

(52) **U.S. Cl.**

USPC **D6/366**

FIG. 4 is a right side elevational view of the configuration as shown in FIG. 1;

(58) **Field of Classification Search**

USPC D6/334–336, 364, 365, 366, 367, 374,
D6/379, 716, 716.1, 716.4

FIG. 5 is a top plan view of the configuration as shown in FIG. 1;

CPC A47C 7/004; A47C 7/006; A47C 7/18;
A47C 7/24; A47C 7/38; A47C 7/40;
A47C 7/46; A47C 7/54

FIG. 6 is a bottom plan view of the configuration as shown in FIG. 1;

See application file for complete search history.

FIG. 7 is a left front perspective view of the configuration as shown in FIG. 1;

(56) **References Cited**

U.S. PATENT DOCUMENTS

D637,829 S * 5/2011 Citterio D6/366
D667,232 S * 9/2012 Yang D6/366
D697,353 S 1/2014 Nakamura
D715,068 S * 10/2014 Chan D6/366
D766,605 S * 9/2016 Li D6/366
D785,353 S * 5/2017 Zhou D6/366

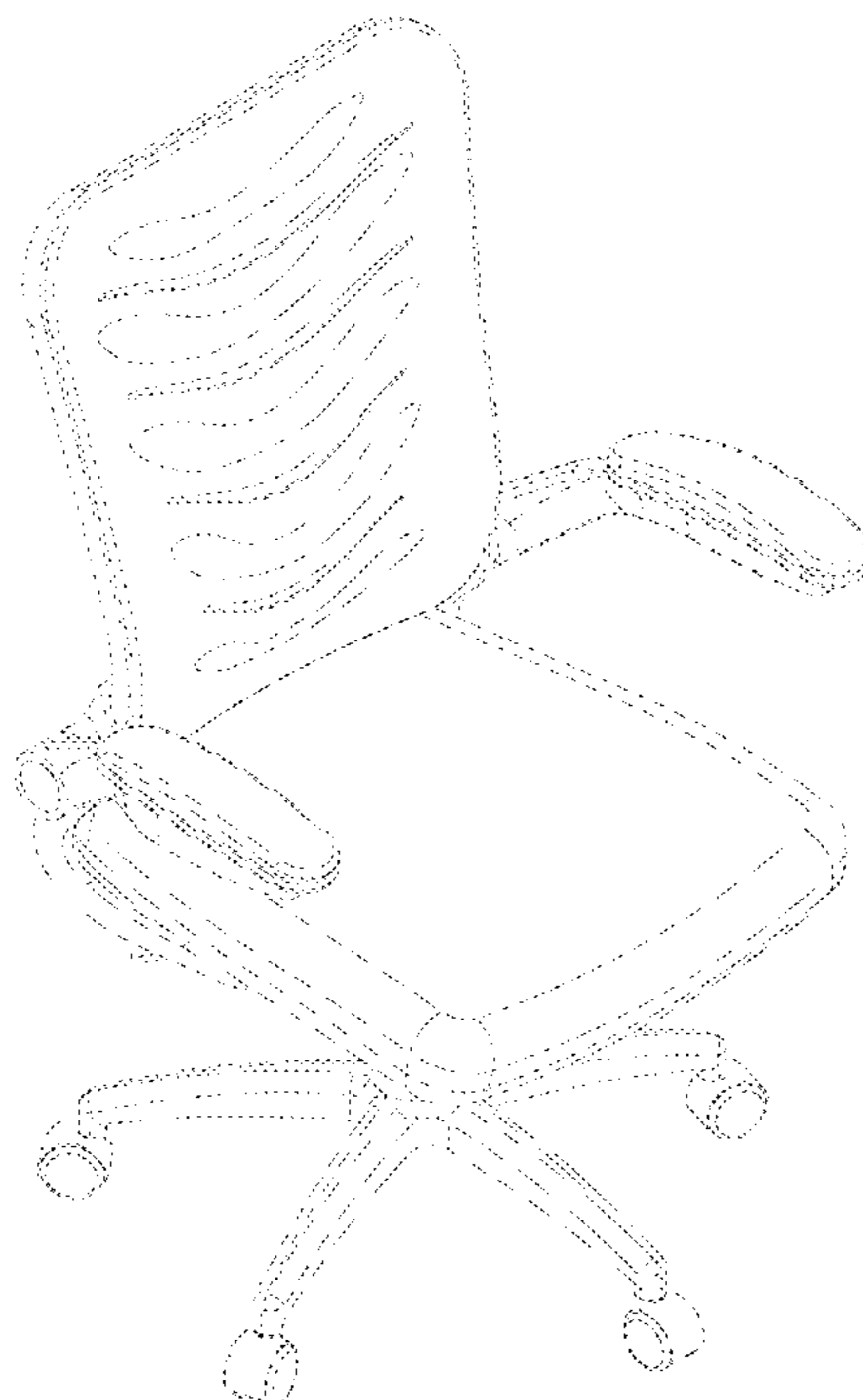
FIG. 8 is a right front perspective view of the configuration as shown in FIG. 1;

FIG. 9 is a left rear perspective view of the configuration as shown in FIG. 1; and,

FIG. 10 is a right rear perspective view of the configuration as shown in FIG. 1.

The broken lines in the drawings illustrate environmental structure on the article and form no part of the claimed design.

1 Claim, 10 Drawing Sheets



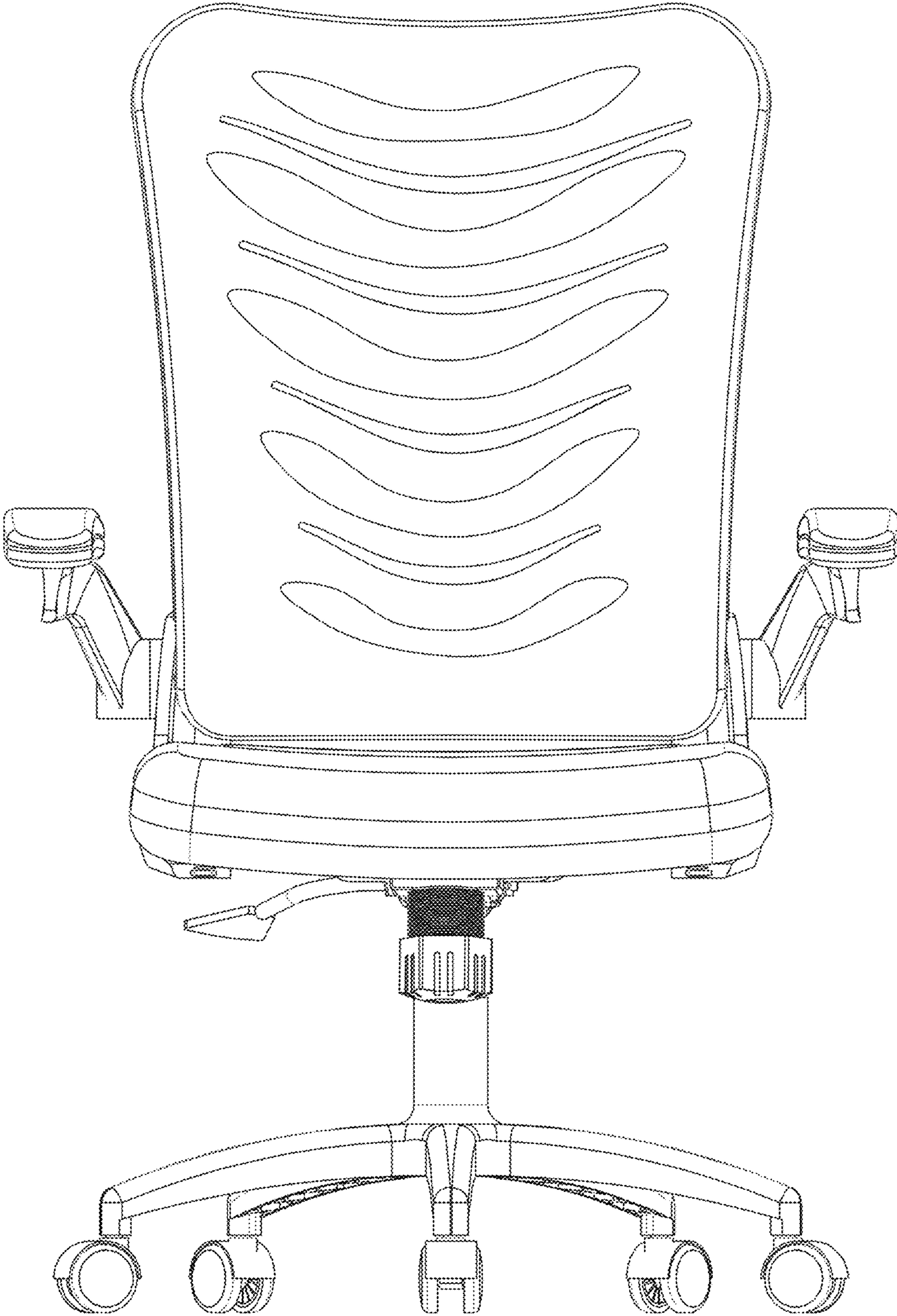


FIG. 1

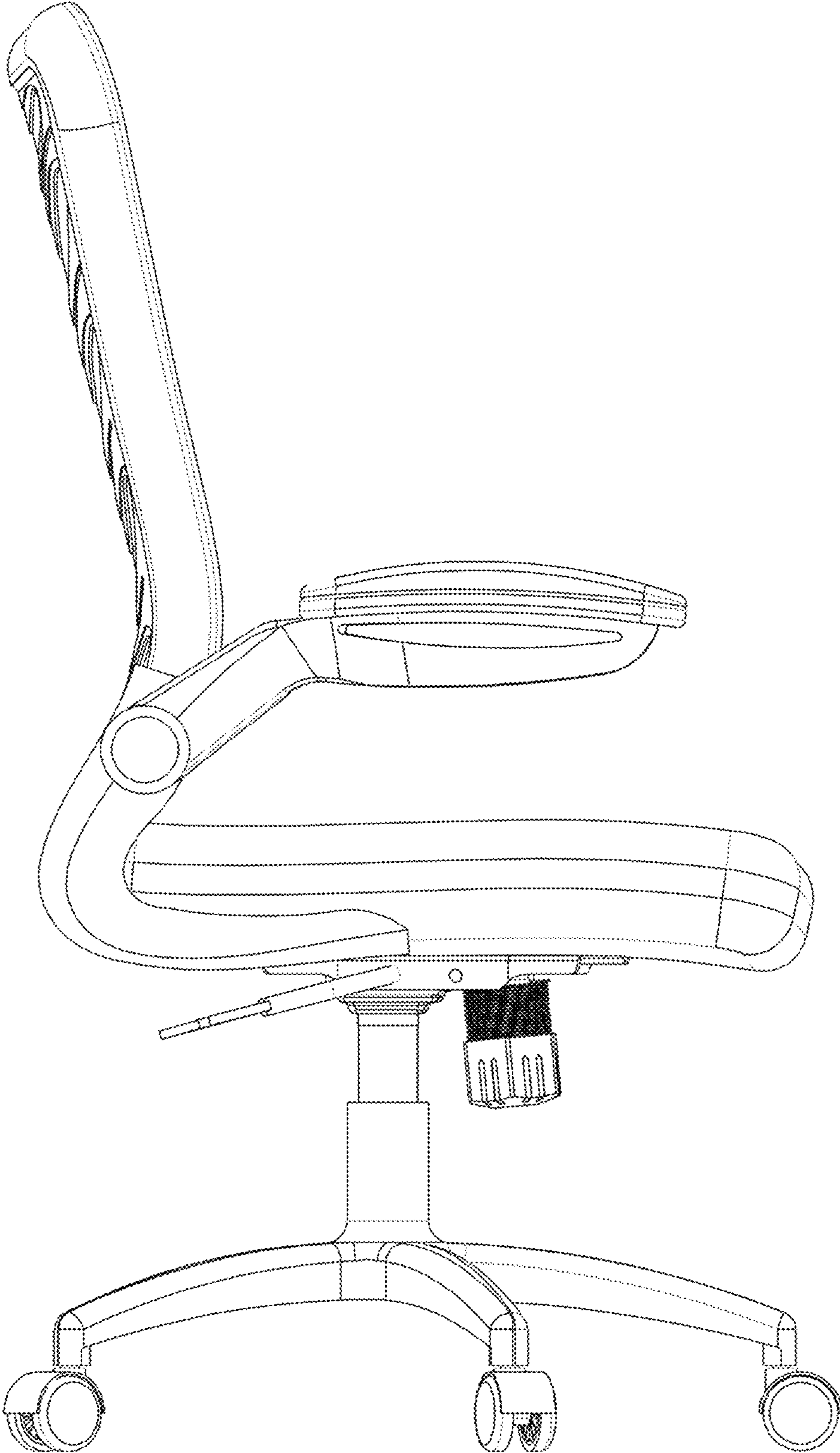


FIG. 2

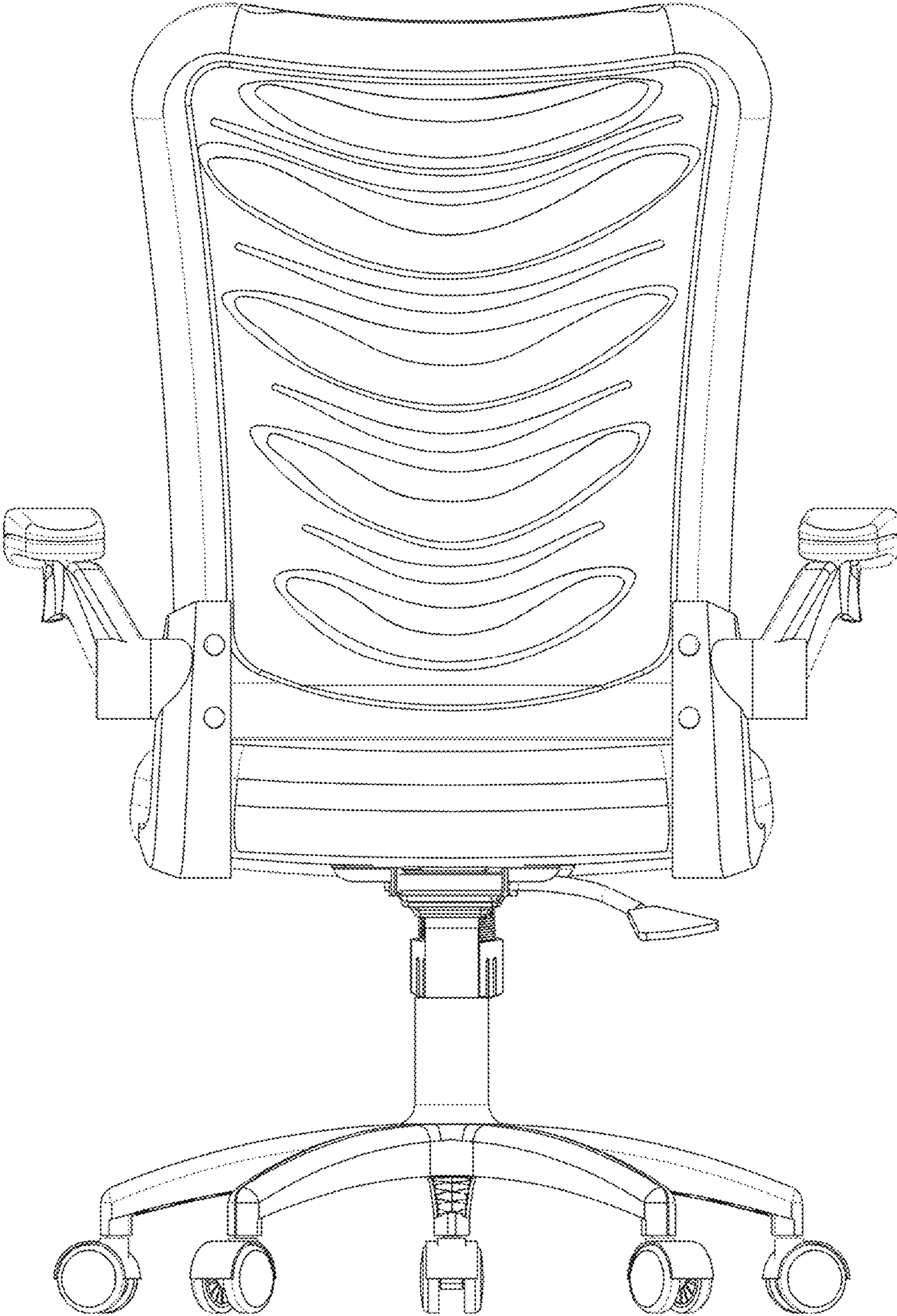


FIG. 3

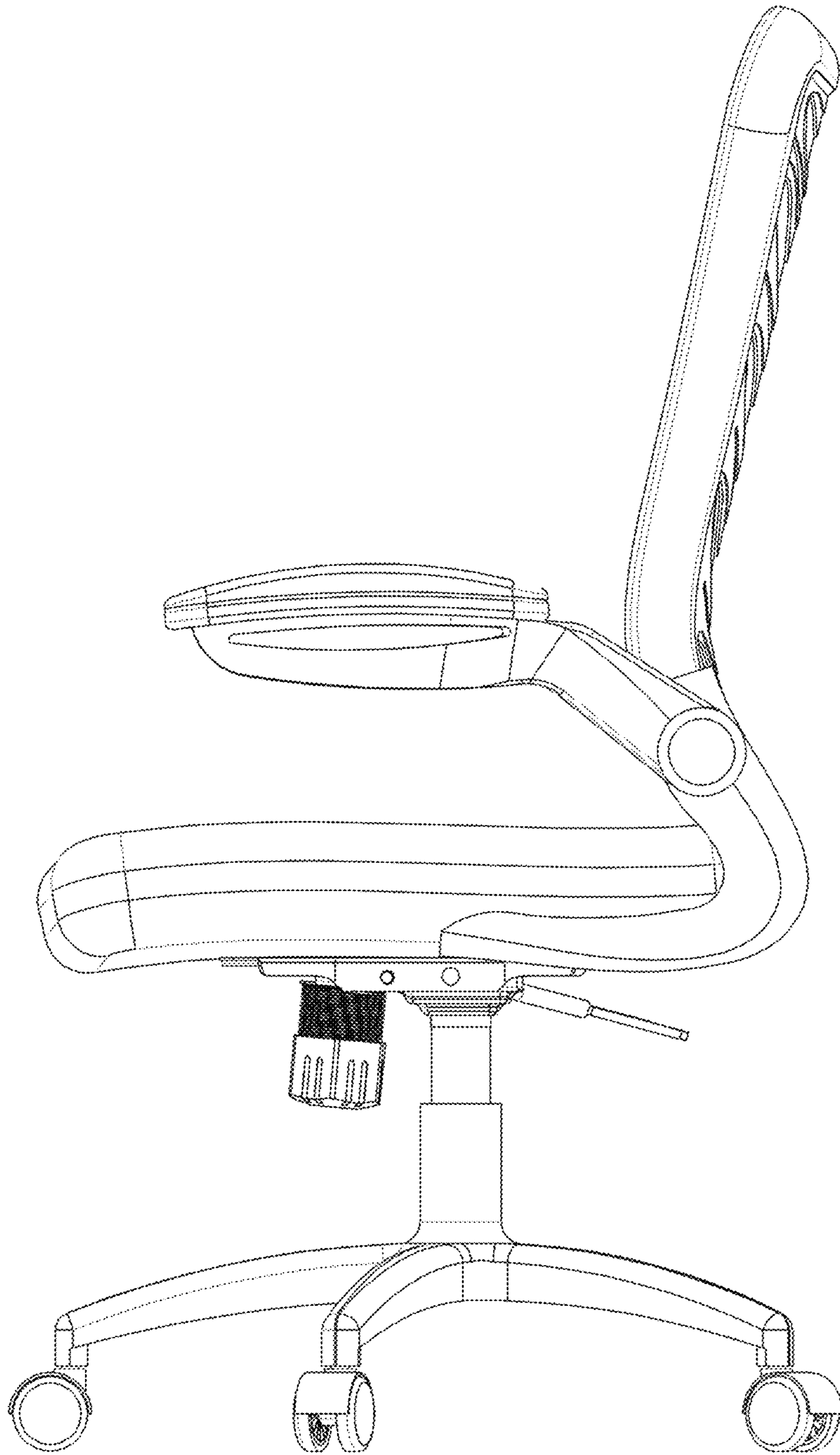


FIG. 4

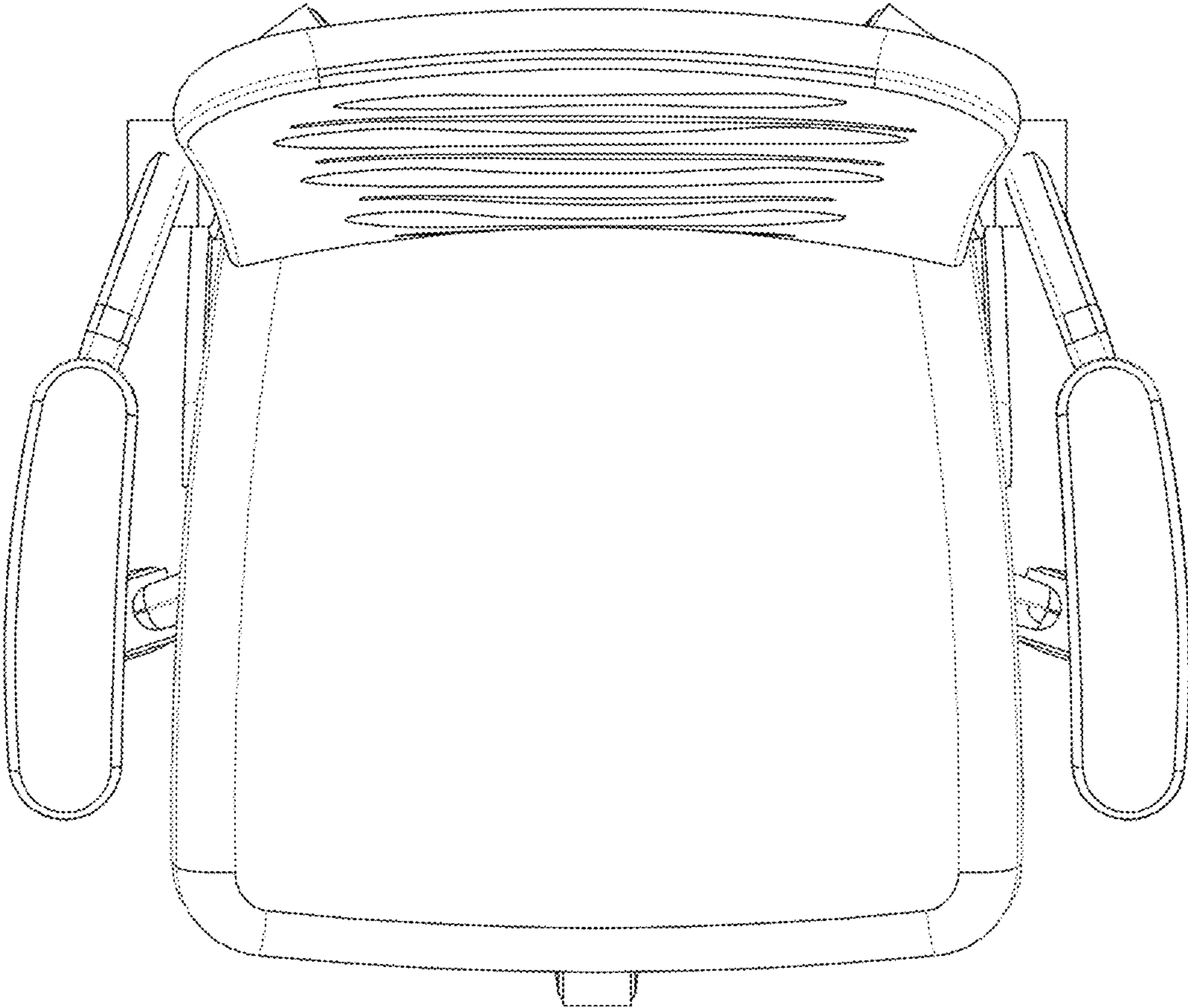


FIG. 5

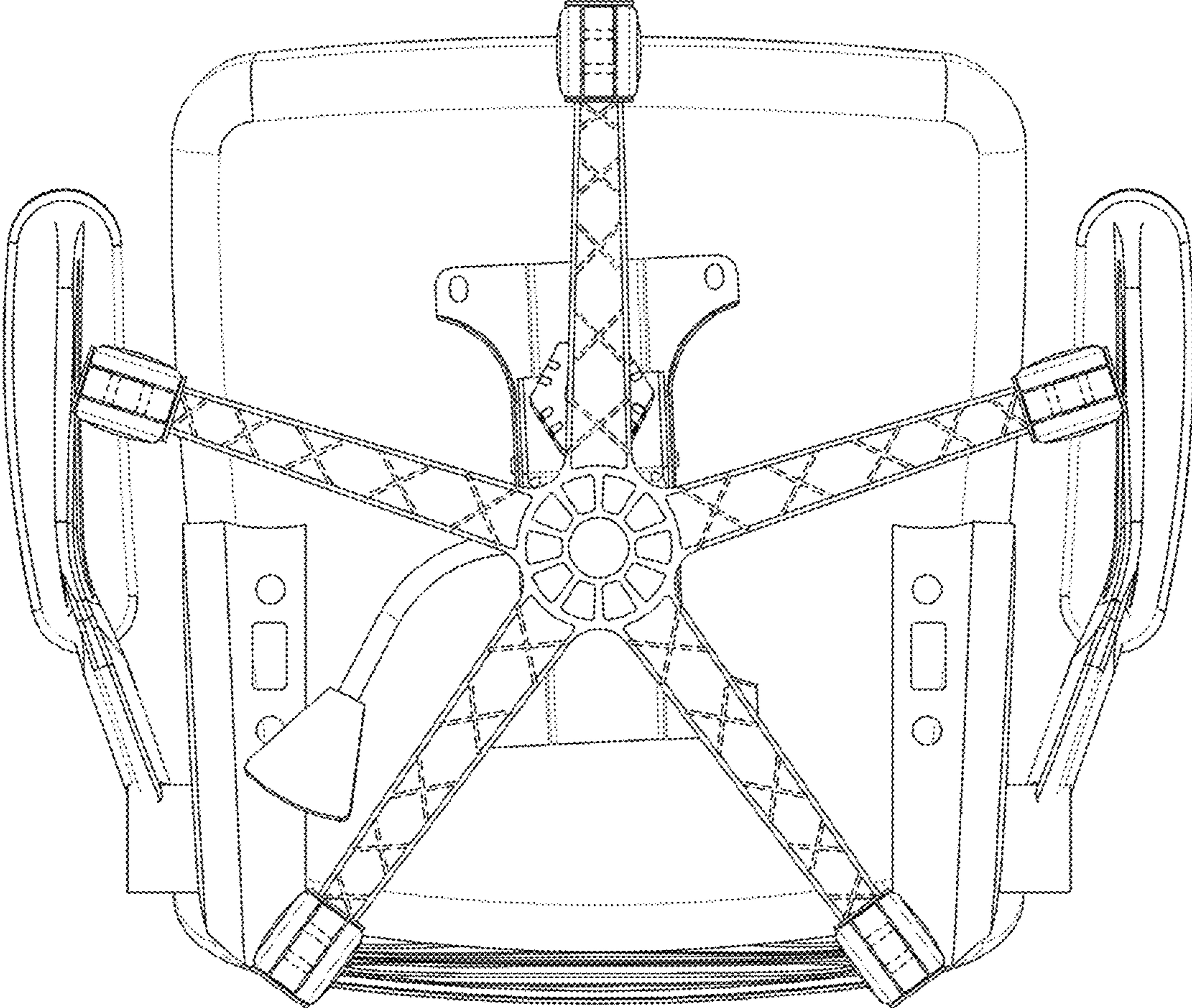


FIG. 6

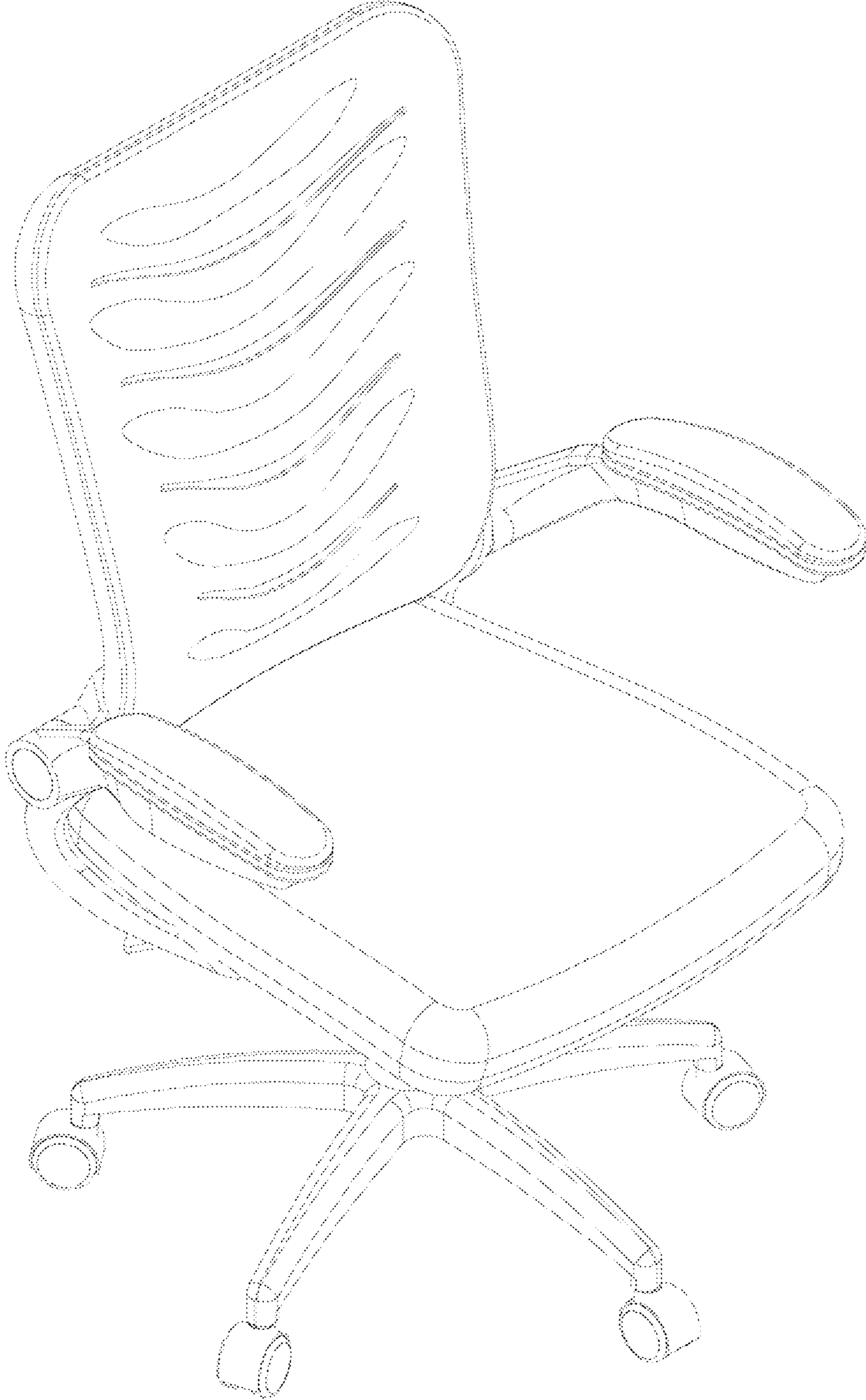


FIG. 7

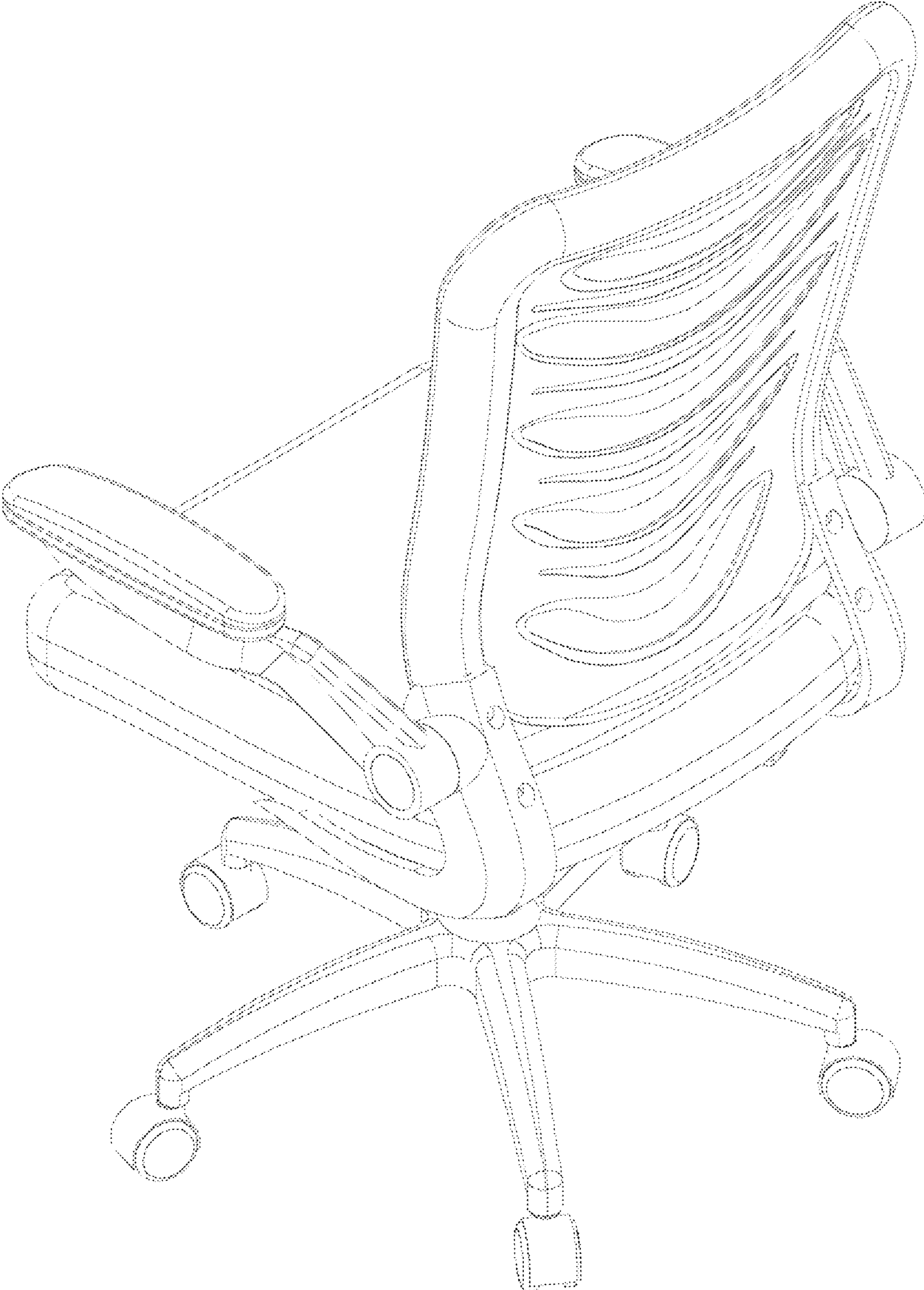


FIG. 8



FIG. 9

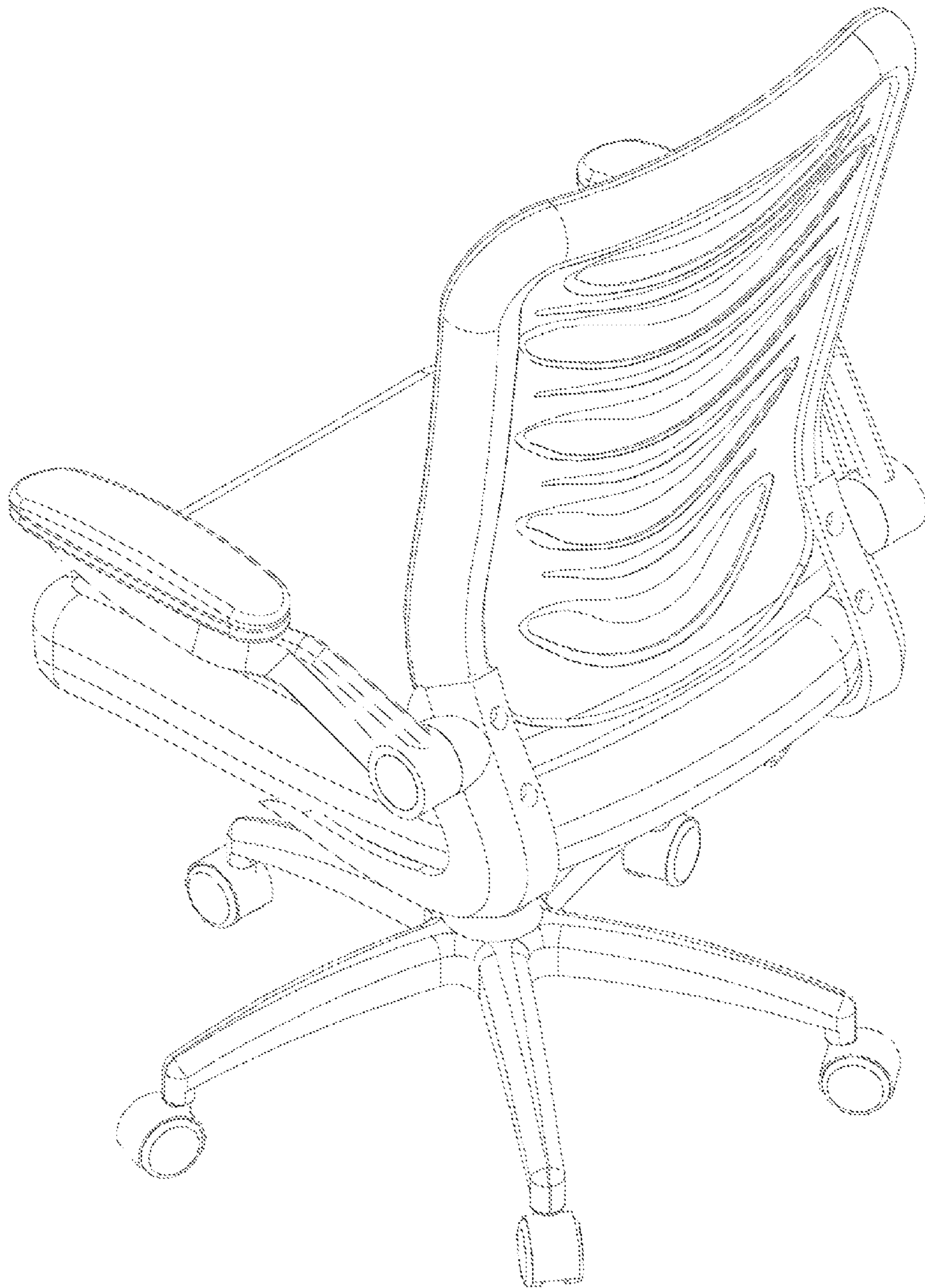


FIG. 10