



US00D905993S

(12) **United States Design Patent**
Wu

(10) **Patent No.:** **US D905,993 S**

(45) **Date of Patent:** **** Dec. 29, 2020**

(54) **GAMING CHAIR**

(71) Applicant: **Wudi Industrial (Shanghai) Co., Ltd.**,
Shanghai (CN)

(72) Inventor: **Peng Wu**, Shanghai (CN)

(73) Assignee: **WUDI INDUSTRIAL (SHANGHAI)**
CO., LTD., Shanghai (CN)

(**) Term: **15 Years**

(21) Appl. No.: **29/731,646**

(22) Filed: **Apr. 16, 2020**

(51) **LOC (12) Cl.** **06-01**

(52) **U.S. Cl.**
USPC **D6/366**

(58) **Field of Classification Search**
USPC D6/334-336, 356, 364, 365, 366, 367,
D6/374, 375, 379, 380, 716, 716.1, 716.3,
D6/716.4

CPC A47C 4/028; A47C 7/004; A47C 7/18;
A47C 7/38; A47C 7/40; B60N 2/02;
B60N 2/20; B60N 2/22; B60N 2/58

See application file for complete search history.

(56) **References Cited**

U.S. PATENT DOCUMENTS

D532,211 S * 11/2006 Su D6/366
D542,547 S * 5/2007 Su D6/366

D549,475 S * 8/2007 Su D6/356
D612,623 S * 3/2010 Smit D6/366
D700,449 S 3/2014 Romans
D847,526 S * 5/2019 Wang D6/356
D854,846 S * 7/2019 Shen D6/366
D856,696 S * 8/2019 Shen D6/366
D856,697 S * 8/2019 Shen D6/366
D856,698 S * 8/2019 Shen D6/366
D879,493 S * 3/2020 Peng D6/366

* cited by examiner

Primary Examiner — Mimosa De

(74) *Attorney, Agent, or Firm* — Frank Gao, Esq.

(57) **CLAIM**

The ornamental design for a gaming chair, as shown and described.

DESCRIPTION

FIG. 1 is a front elevational view a gaming chair showing our new design;

FIG. 2 is a left side elevational view of thereof;

FIG. 3 is a rear elevational view thereof;

FIG. 4 is a right side elevational view thereof;

FIG. 5 is a top plan view thereof;

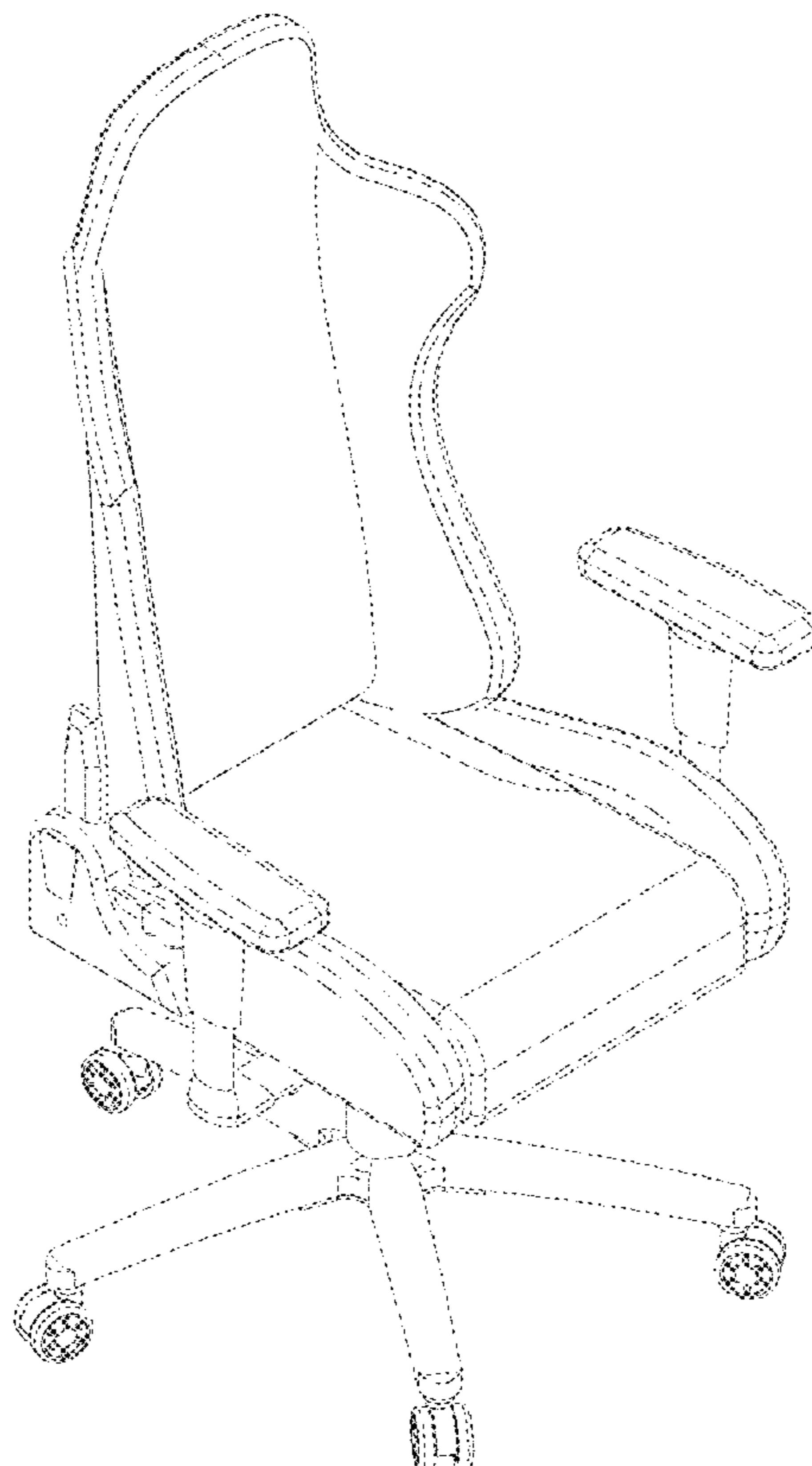
FIG. 6 is a bottom plan view thereof;

FIG. 7 is a left perspective view thereof; and,

FIG. 8 is a right perspective view thereof.

The broken lines in the drawings illustrate environmental structure on the article and form no part of the claimed design.

1 Claim, 8 Drawing Sheets



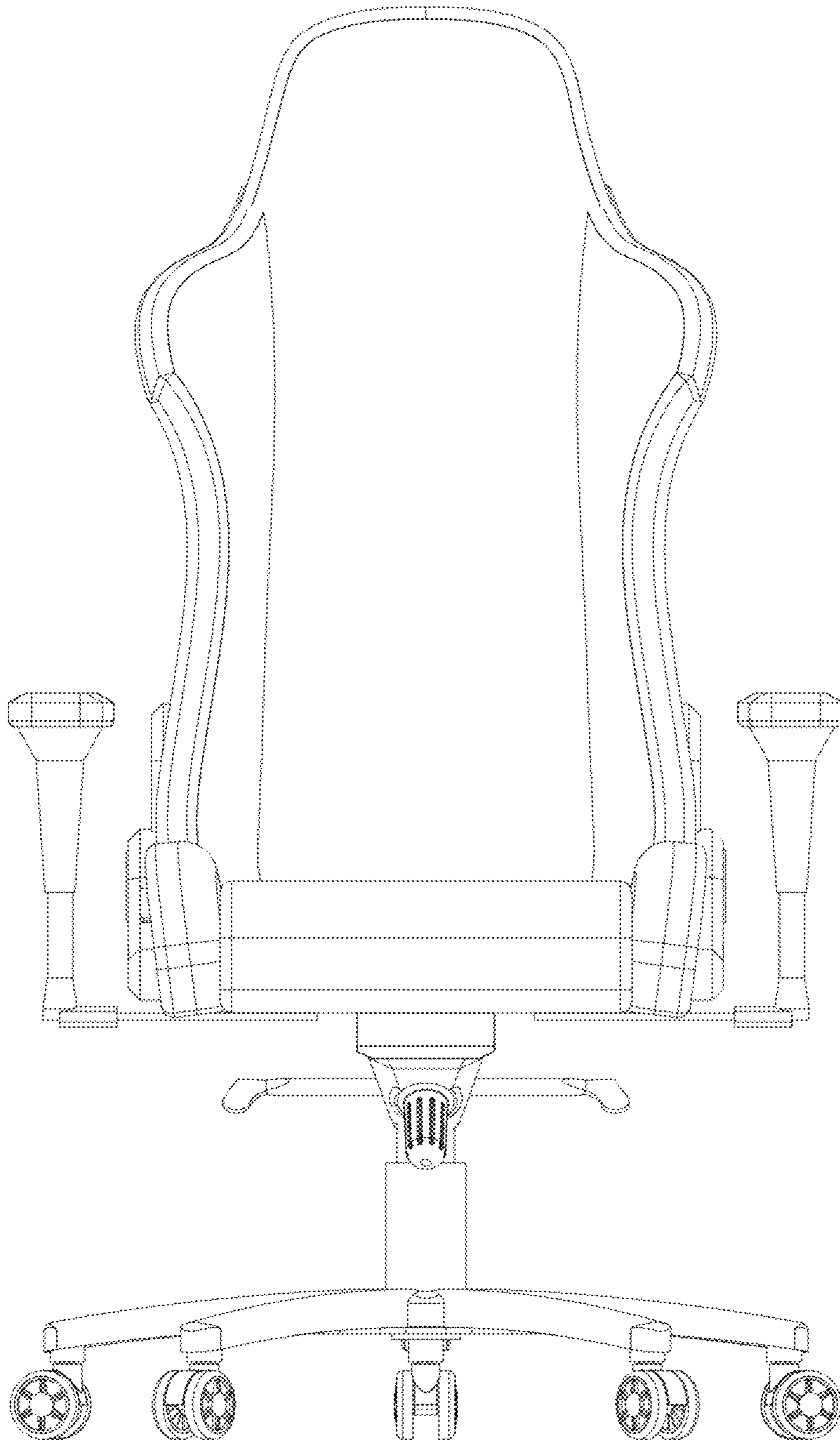


FIG. 1

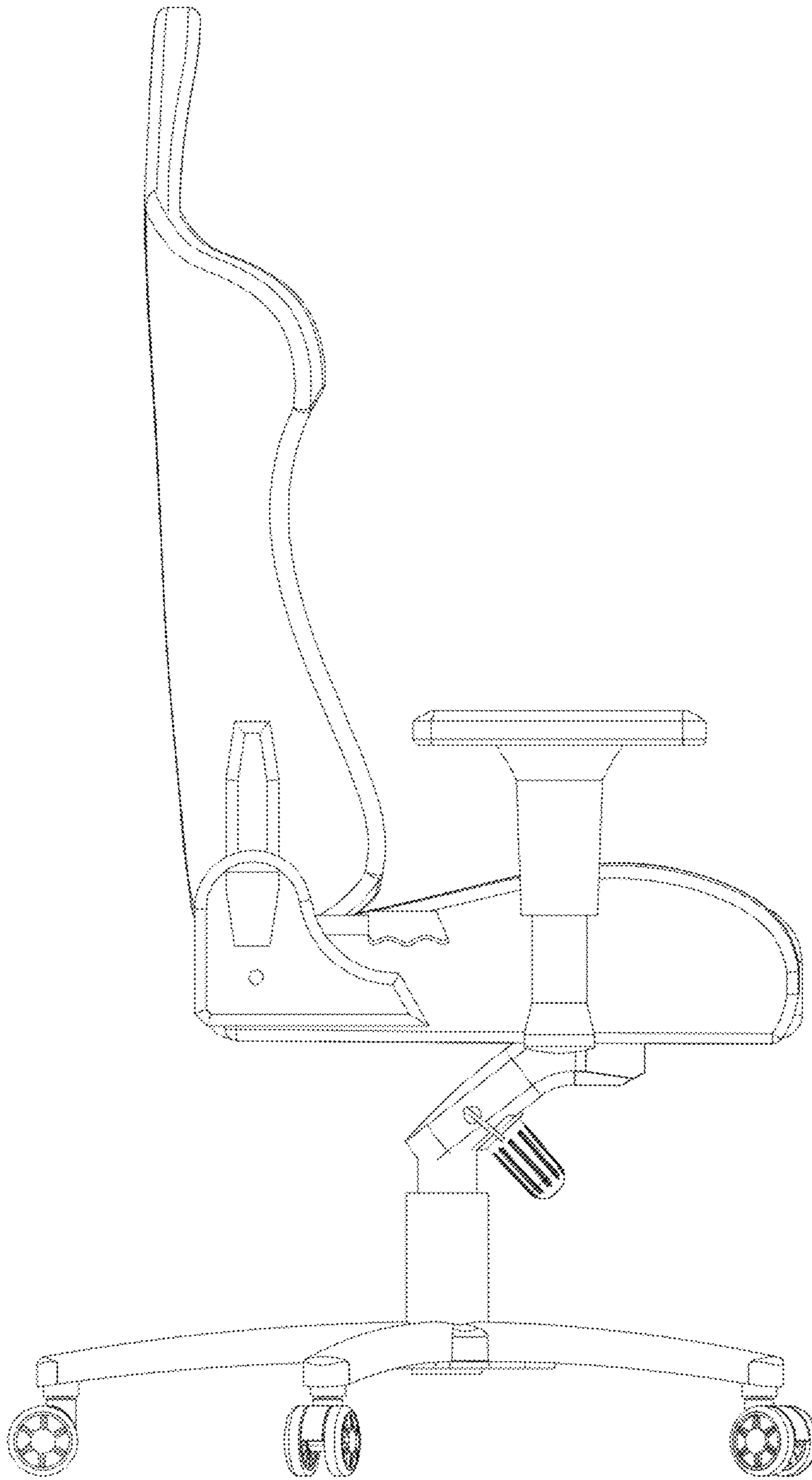


FIG. 2

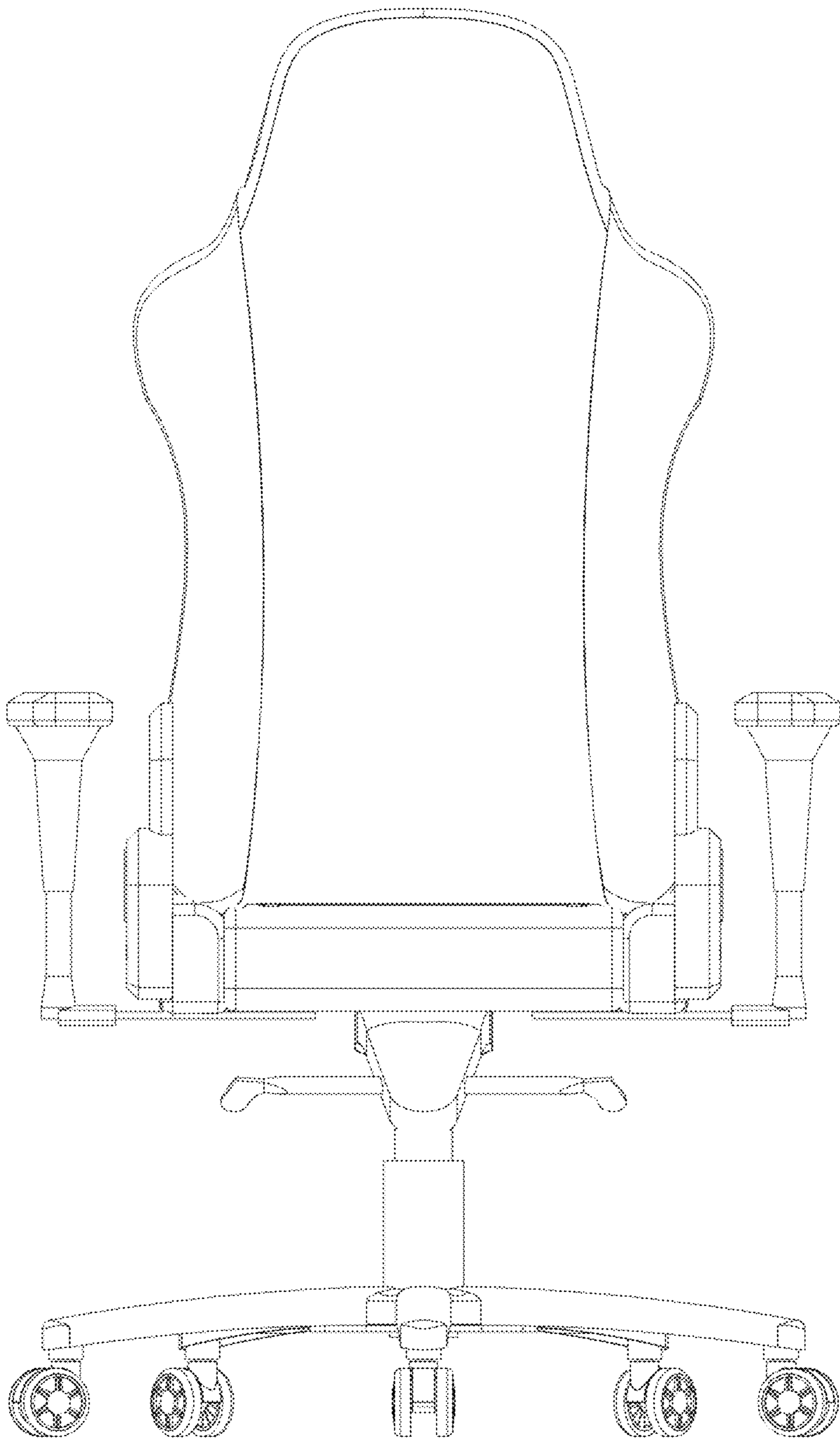


FIG. 3

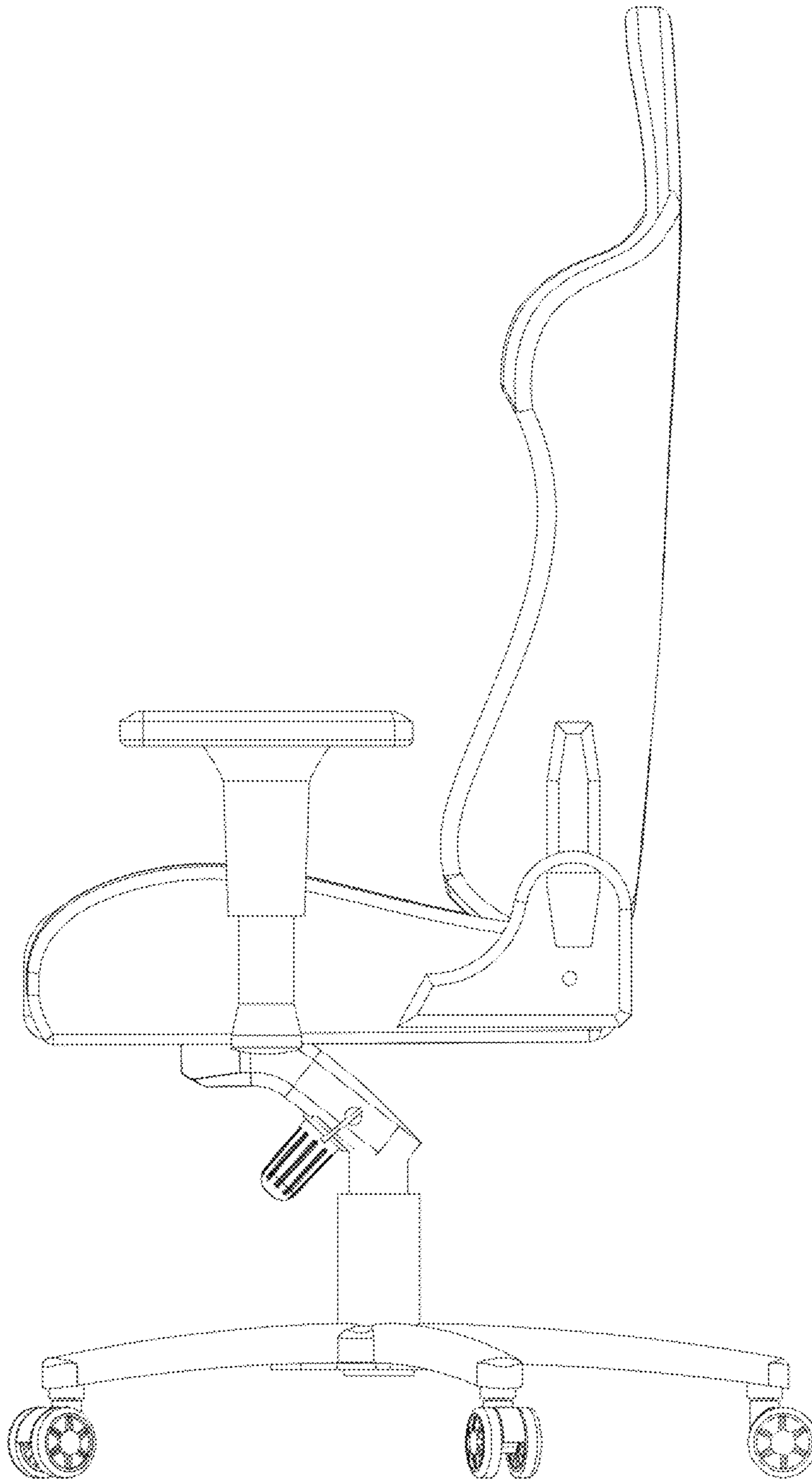


FIG. 4

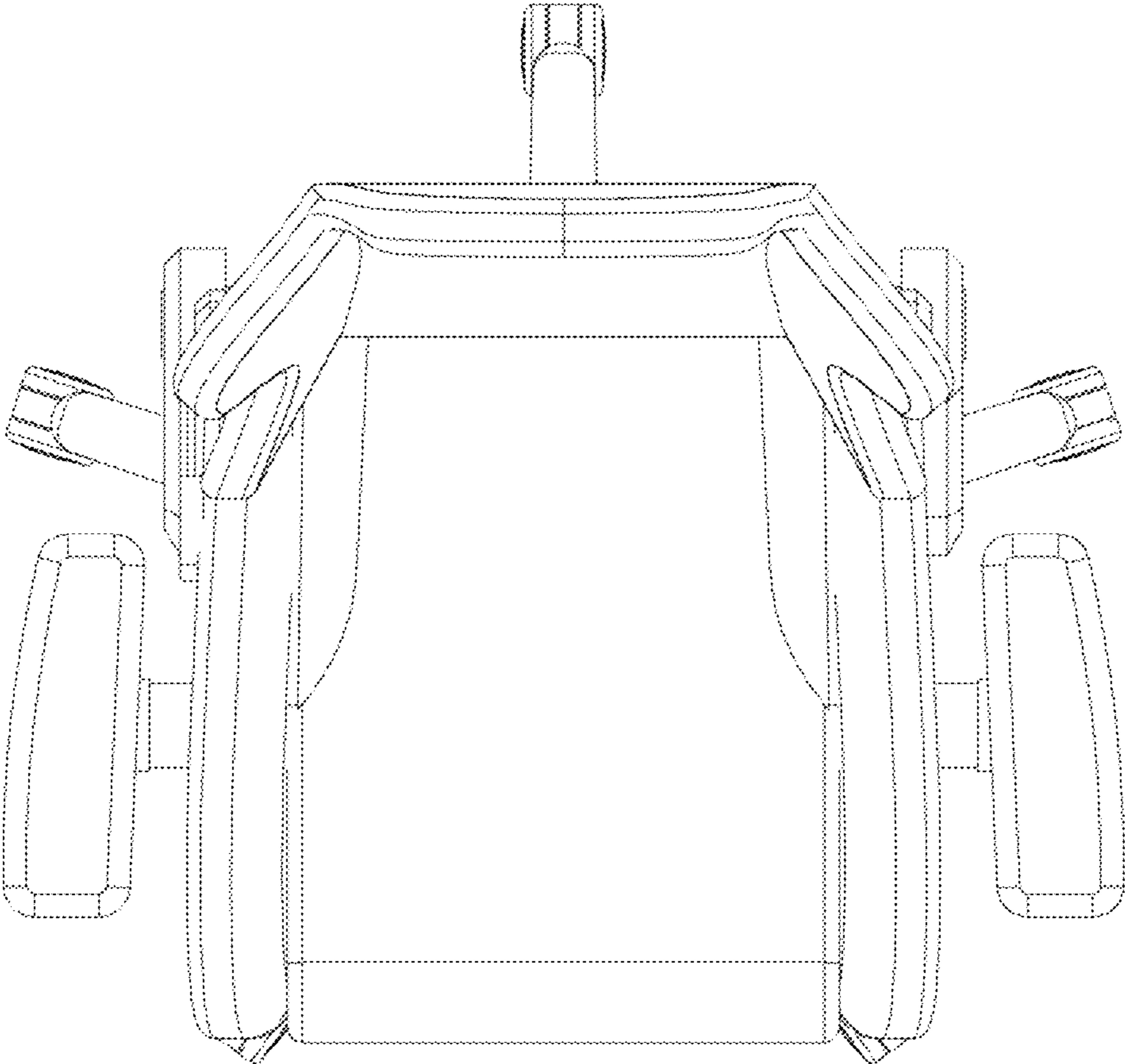


FIG. 5

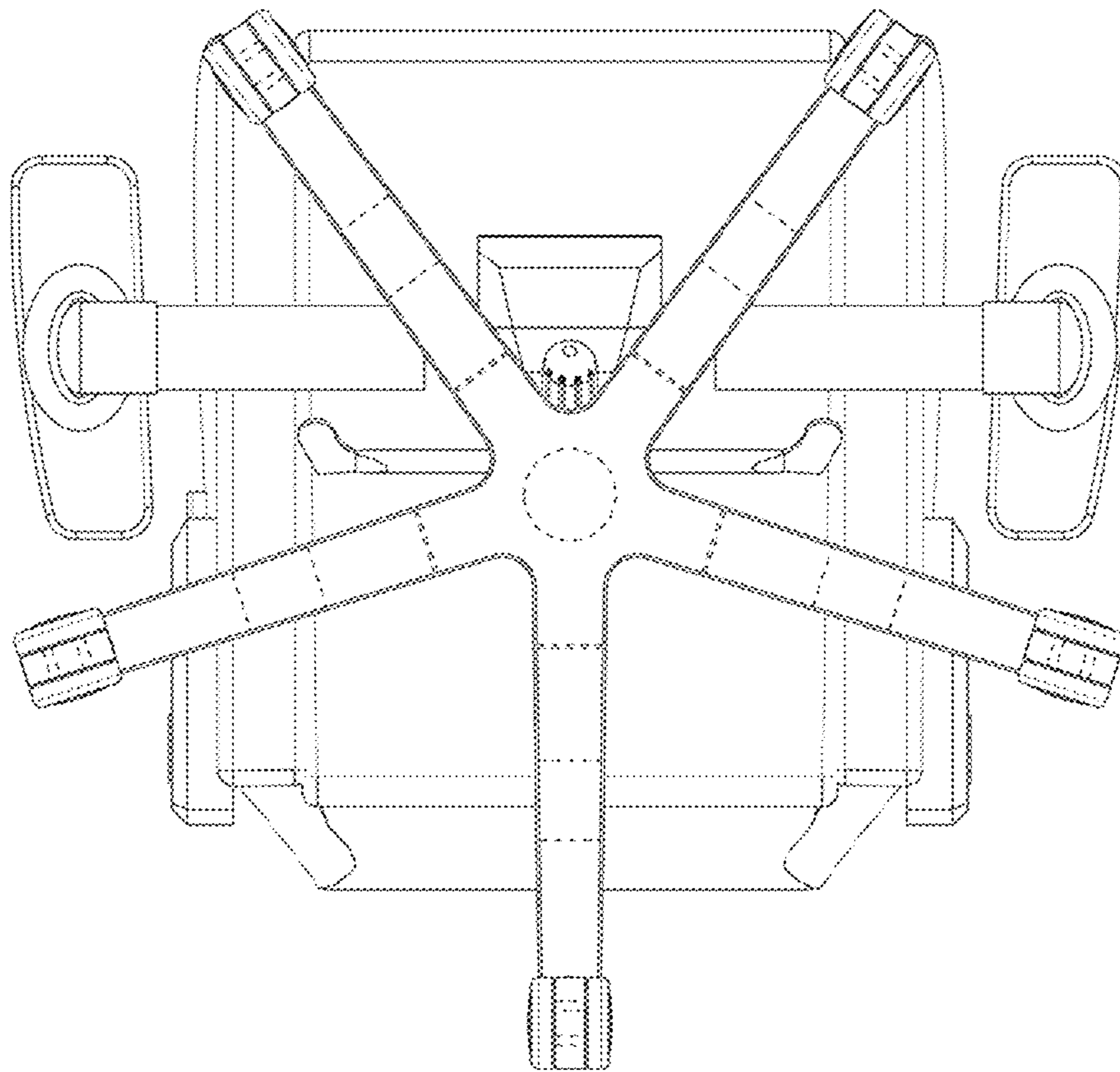


FIG. 6

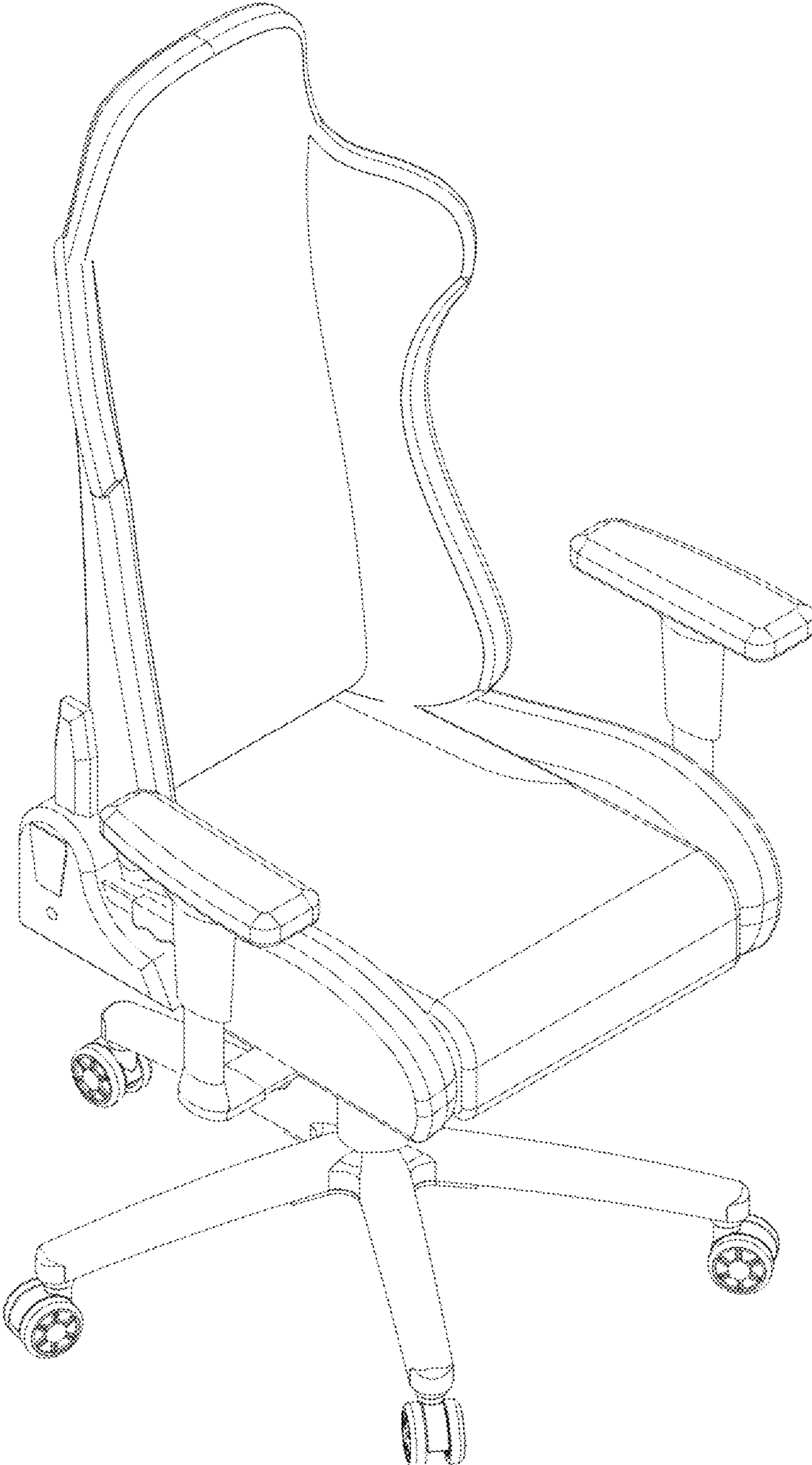


FIG. 7

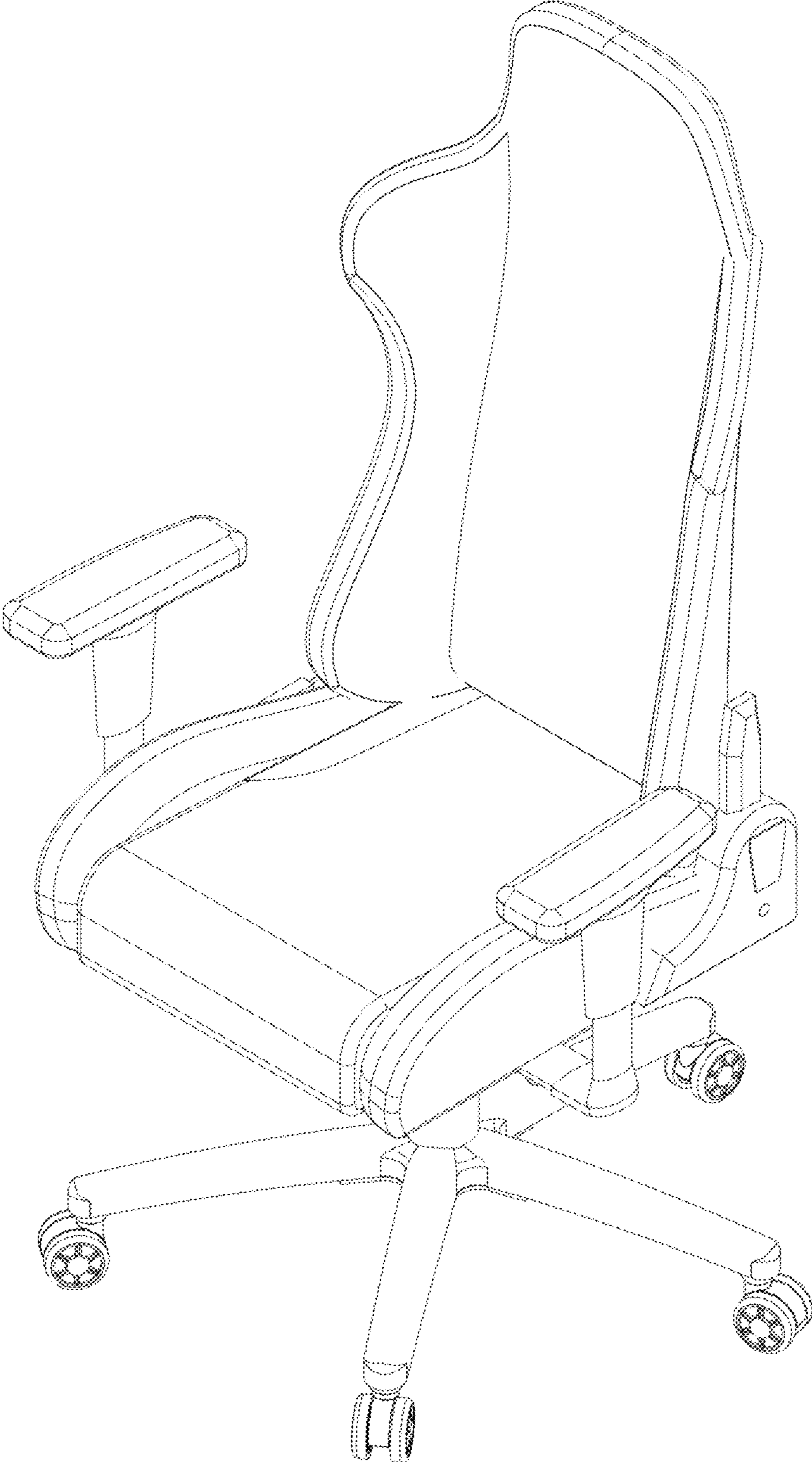


FIG. 8