



US00D905991S

(12) **United States Design Patent** (10) **Patent No.:** **US D905,991 S**
Li (45) **Date of Patent:** **** Dec. 29, 2020**

(54) **CHAIR**
(71) Applicant: **39F USA INC**, Rancho Cucamonga, CA (US)
(72) Inventor: **Yuehai Li**, Rancho Cucamonga, CA (US)
(**) Term: **15 Years**
(21) Appl. No.: **29/692,550**
(22) Filed: **May 27, 2019**
(51) **LOC (12) Cl.** **06-01**
(52) **U.S. Cl.**
USPC **D6/366**
(58) **Field of Classification Search**
USPC D6/356, 364, 365, 366, 367, 379, 716, D6/716.4, 716.7; D21/521, 695
CPC A47C 1/03294; A47C 1/034; A47C 1/032; A47C 1/031; A47C 1/023; A47C 3/029; A47C 3/027; A47C 3/04; A47C 3/02; A47C 3/12; A47C 4/03; A47C 4/04; A47C 5/12; A47C 7/029; A47C 7/02; A47C 7/18; A47C 7/28; A47C 7/32; A47C 7/38; A47C 7/40; A47C 7/44; A47C 7/46; A47C 7/54; A47C 7/425; A47C 7/445; A47C 31/023; A47C 31/04; B60R 2/0284; B60R 2/062; B60R 22/001; B60R 22/24; B60R 22/28; B60R 22/58; B60R 22/64; B60R 22/68; B60R 22/80; B60R 22/99; B60R 22/245; B60R 22/643; B60R 22/646; B60R 22/665; B60R 22/686; B60R 22/688; B60R 22/803; B60R 22/986; B60R 22/914; B60R 22/995; F16B 2/08; F16B 45/00; Y10S 297/01; A47D 13/10
See application file for complete search history.

D567,521 S * 4/2008 Igarashi D6/366
D575,085 S * 8/2008 Su D6/366
D575,969 S * 9/2008 Su D6/366
D580,689 S * 11/2008 Su D6/366
D600,462 S * 9/2009 Ooki D6/366
D609,021 S * 2/2010 Ooki D6/366
D627,983 S * 11/2010 Wakasugi D6/366
D641,561 S * 7/2011 Tsai D6/366
D651,424 S * 1/2012 Lee D6/366
D676,254 S * 2/2013 Chen D6/366
D677,068 S * 3/2013 Chen D6/366
D687,641 S * 8/2013 Barrell D6/366
D715,068 S * 10/2014 Chan D6/366
D718,544 S * 12/2014 Lu D6/366
D725,951 S * 4/2015 Tsai D6/716.4
D741,099 S * 10/2015 Igarashi D6/716.4
D762,996 S * 8/2016 Fancelli D6/366
D779,249 S * 2/2017 Cassaday D6/366

(Continued)

Primary Examiner — Kevin K Rudzinski
Assistant Examiner — Paul D Bohannon
(74) *Attorney, Agent, or Firm* — Feng Qian

(57) **CLAIM**

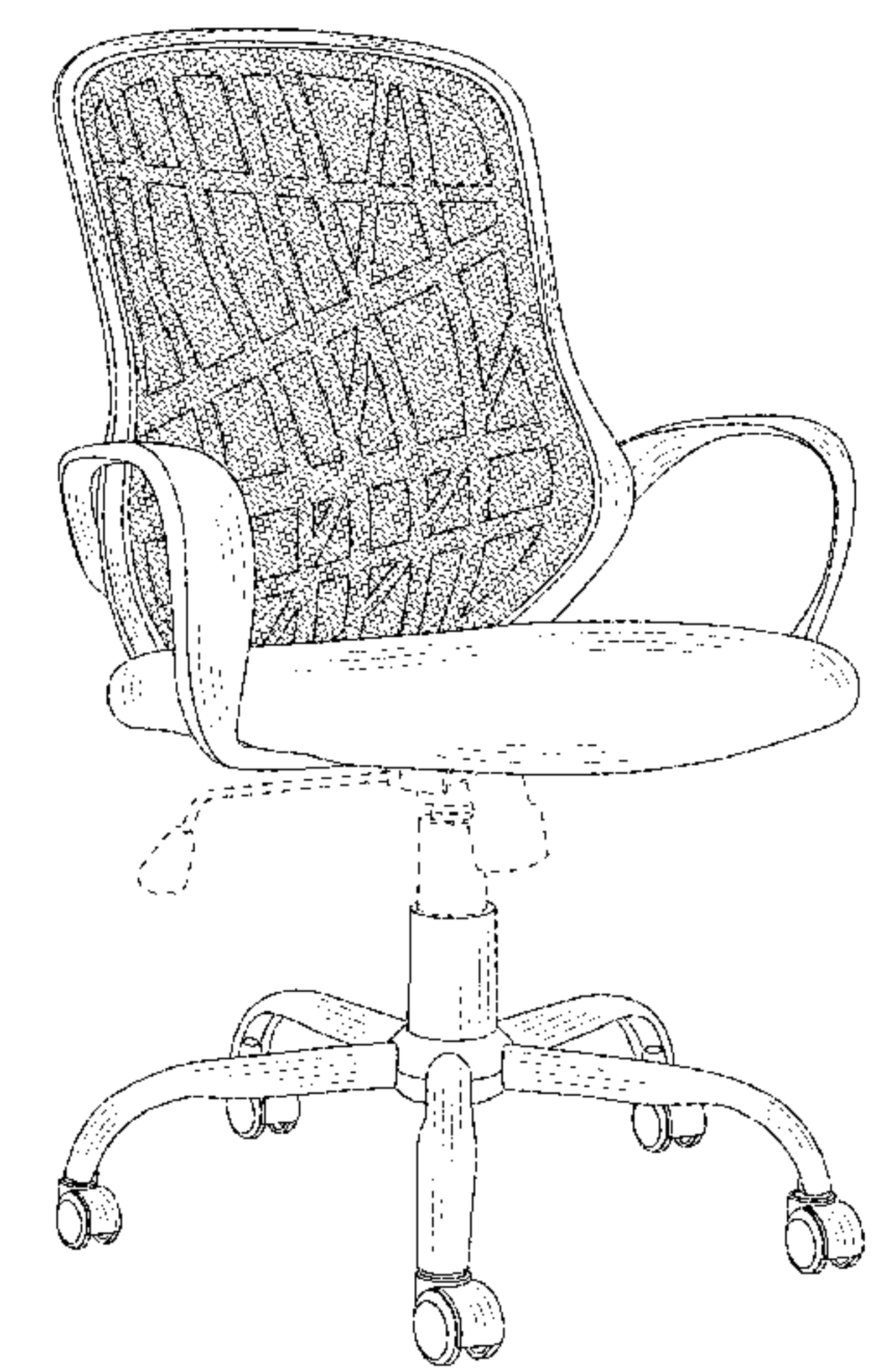
The ornamental design for a chair, as shown and described.

DESCRIPTION

FIG. 1 is a front perspective view of a chair showing my new design;
FIG. 2 is a front elevation view thereof;
FIG. 3 is a rear elevation view thereof;
FIG. 4 is a left-side elevation view thereof;
FIG. 5 is a right-side elevation view thereof;
FIG. 6 is a top plan view thereof; and,
FIG. 7 is a bottom plan view thereof.
The broken lines shown in the drawings are included for the purpose of illustrating portions of the article, and form no part of the claimed design.

1 Claim, 7 Drawing Sheets

(56) **References Cited**
U.S. PATENT DOCUMENTS
D345,260 S * 3/1994 Narita D6/366
D544,720 S * 6/2007 Berbegal Perez D6/366



(56)

References Cited

U.S. PATENT DOCUMENTS

9,592,757 B2 * 3/2017 Machael A47C 1/03
D823,017 S * 7/2018 Li D6/366
D837,553 S * 1/2019 Meda D6/366
D853,768 S * 7/2019 Brueske D6/716
D879,491 S * 3/2020 Wang D6/366
2019/0216224 A1 * 7/2019 Machael A47C 5/12

* cited by examiner

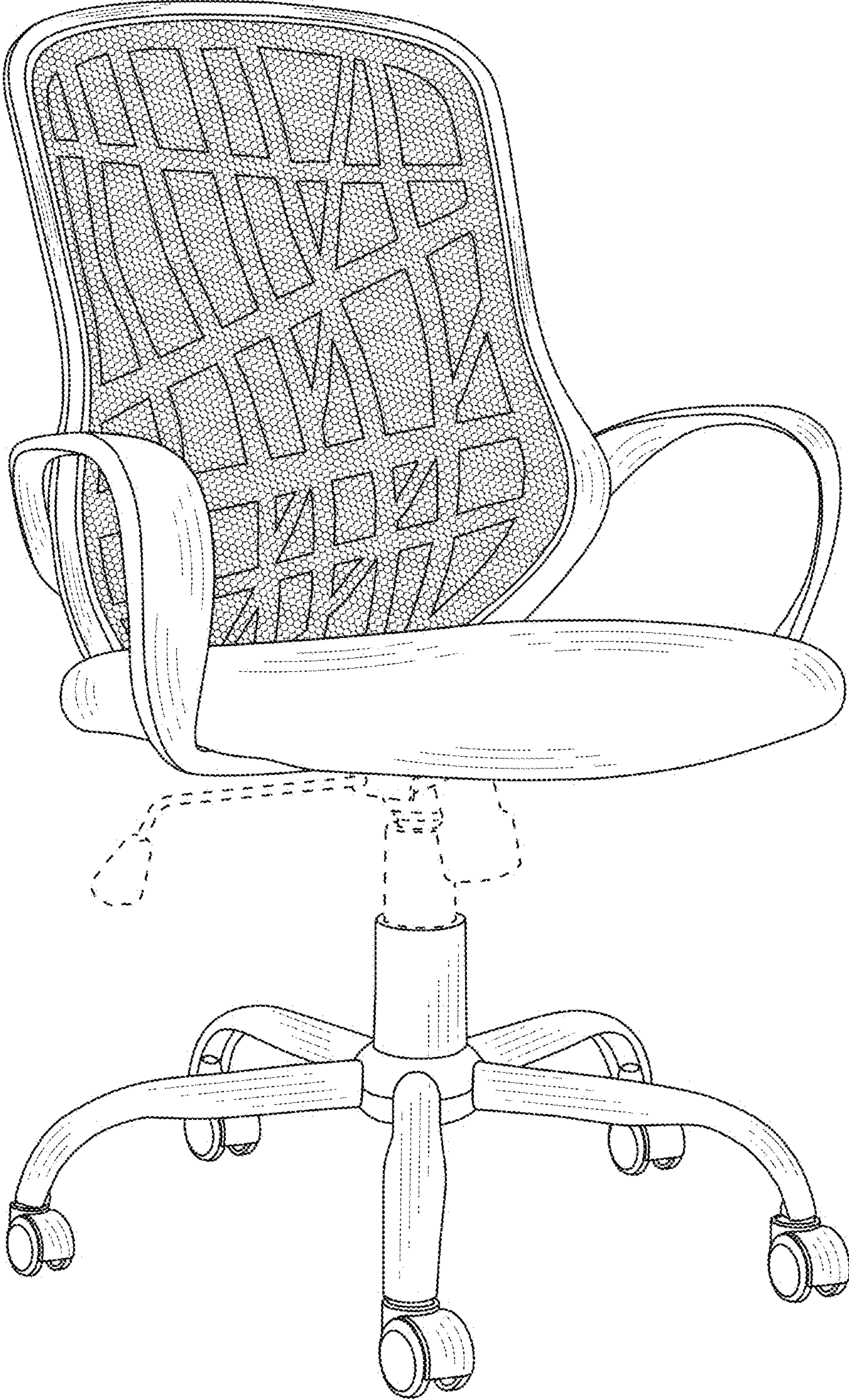


FIG. 1

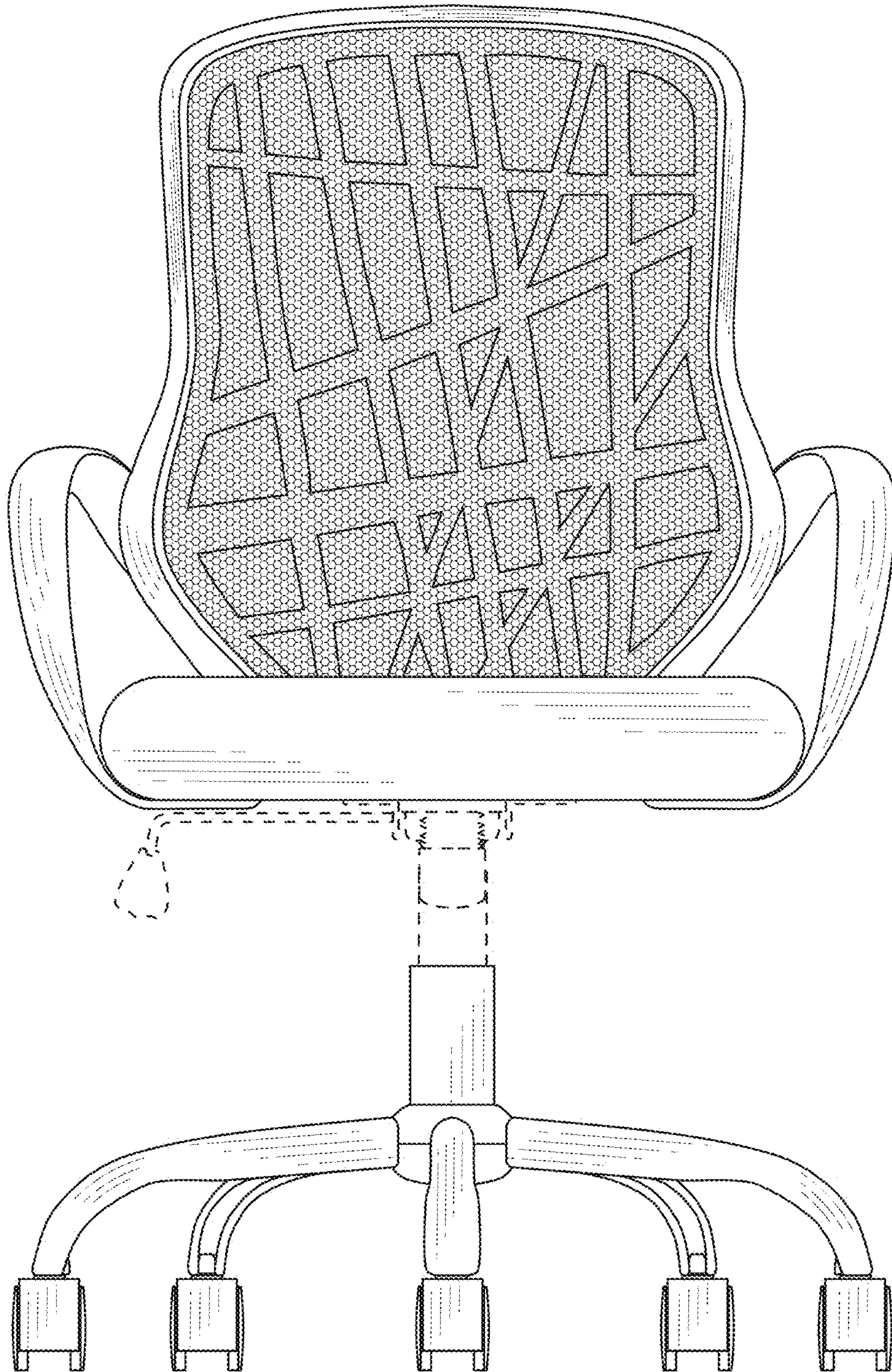


FIG. 2

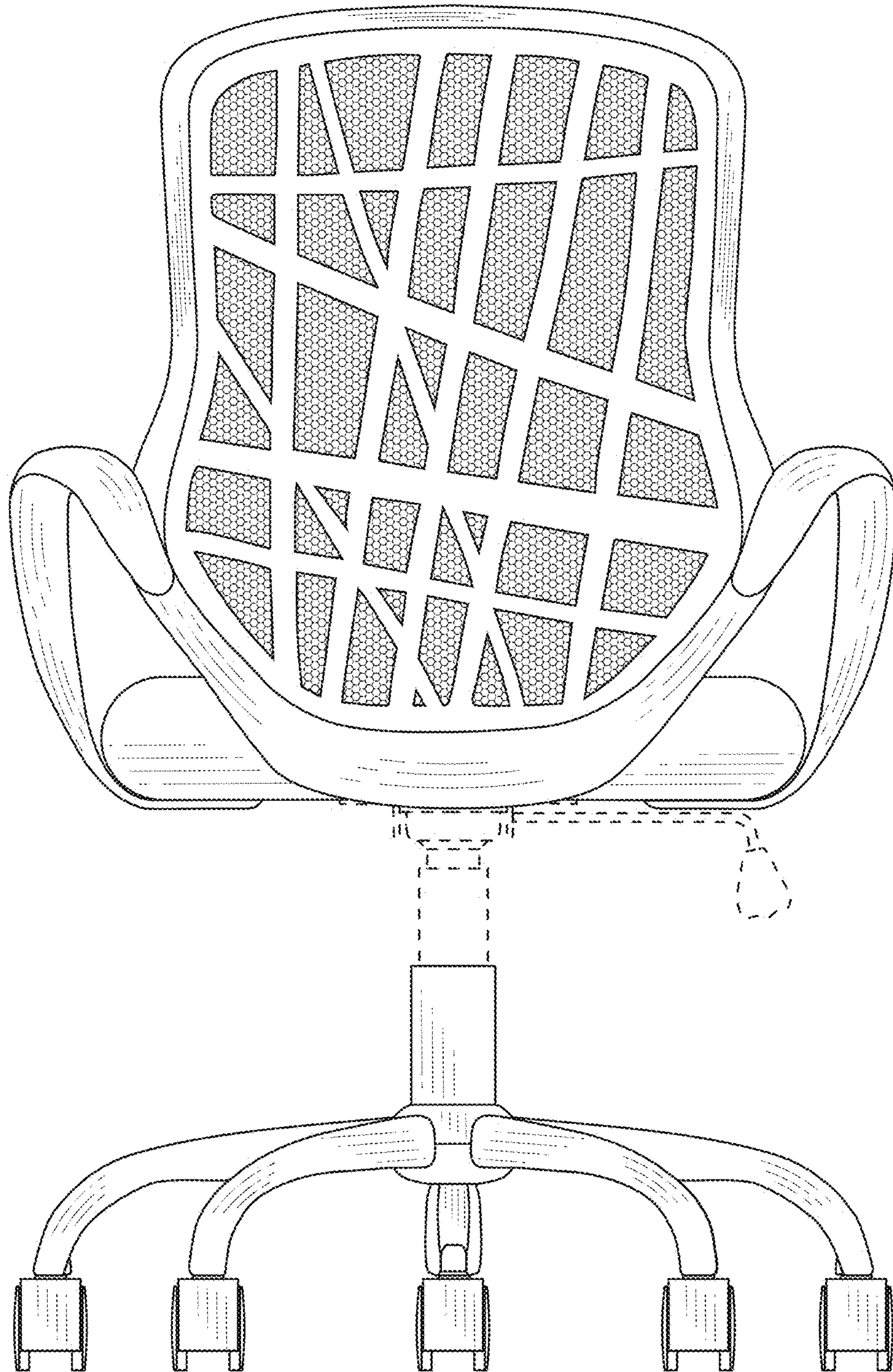


FIG. 3

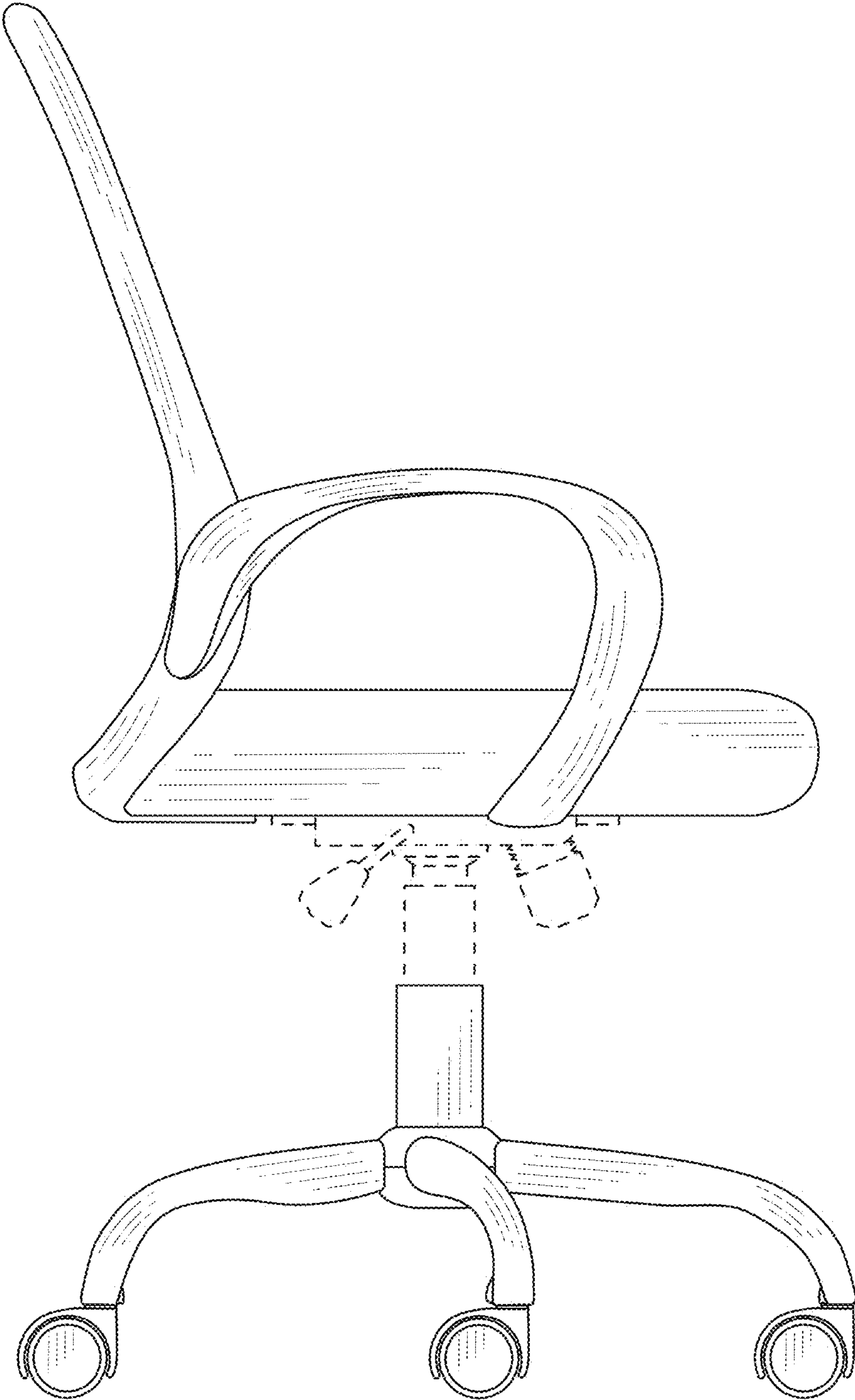


FIG. 4

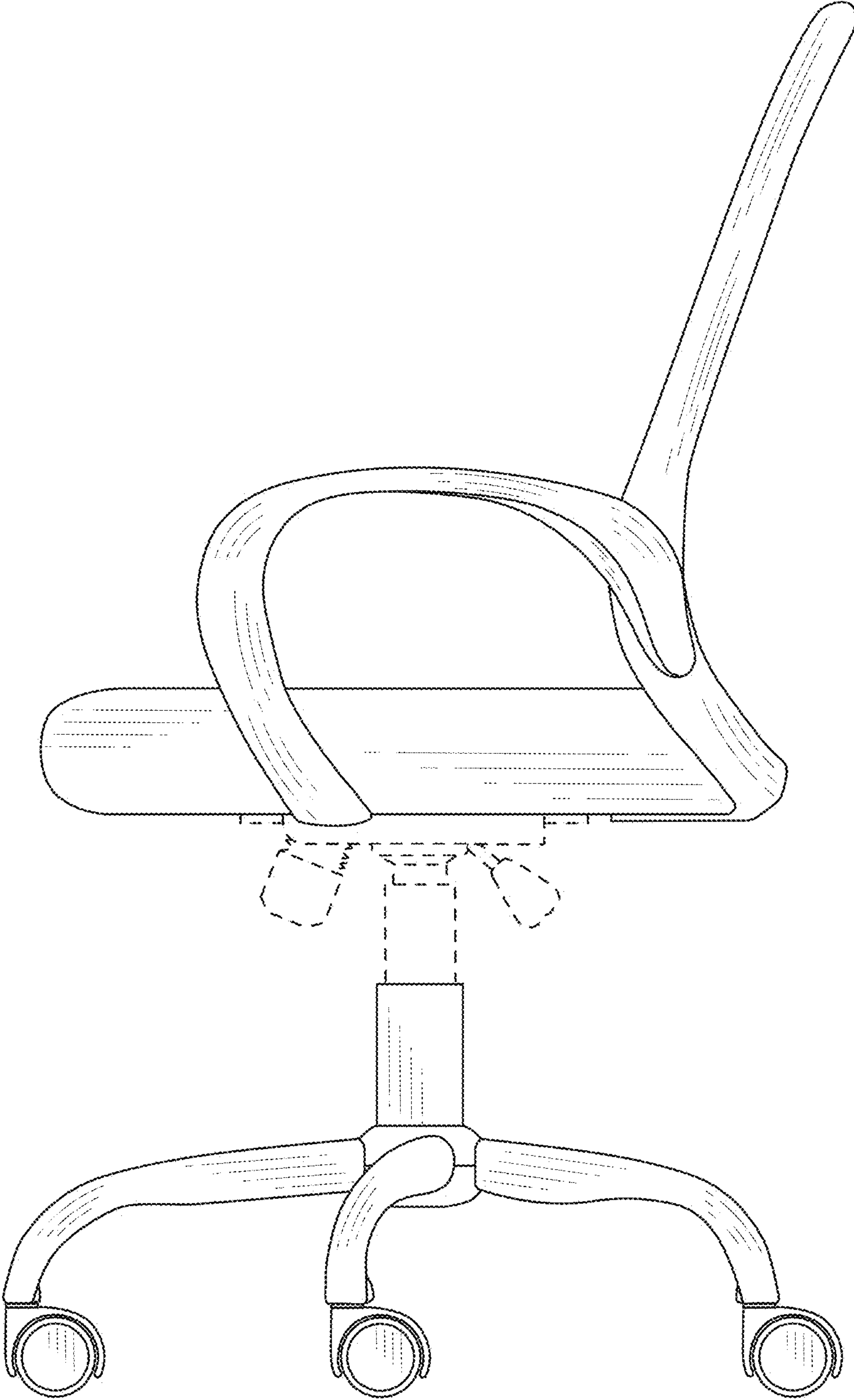


FIG. 5

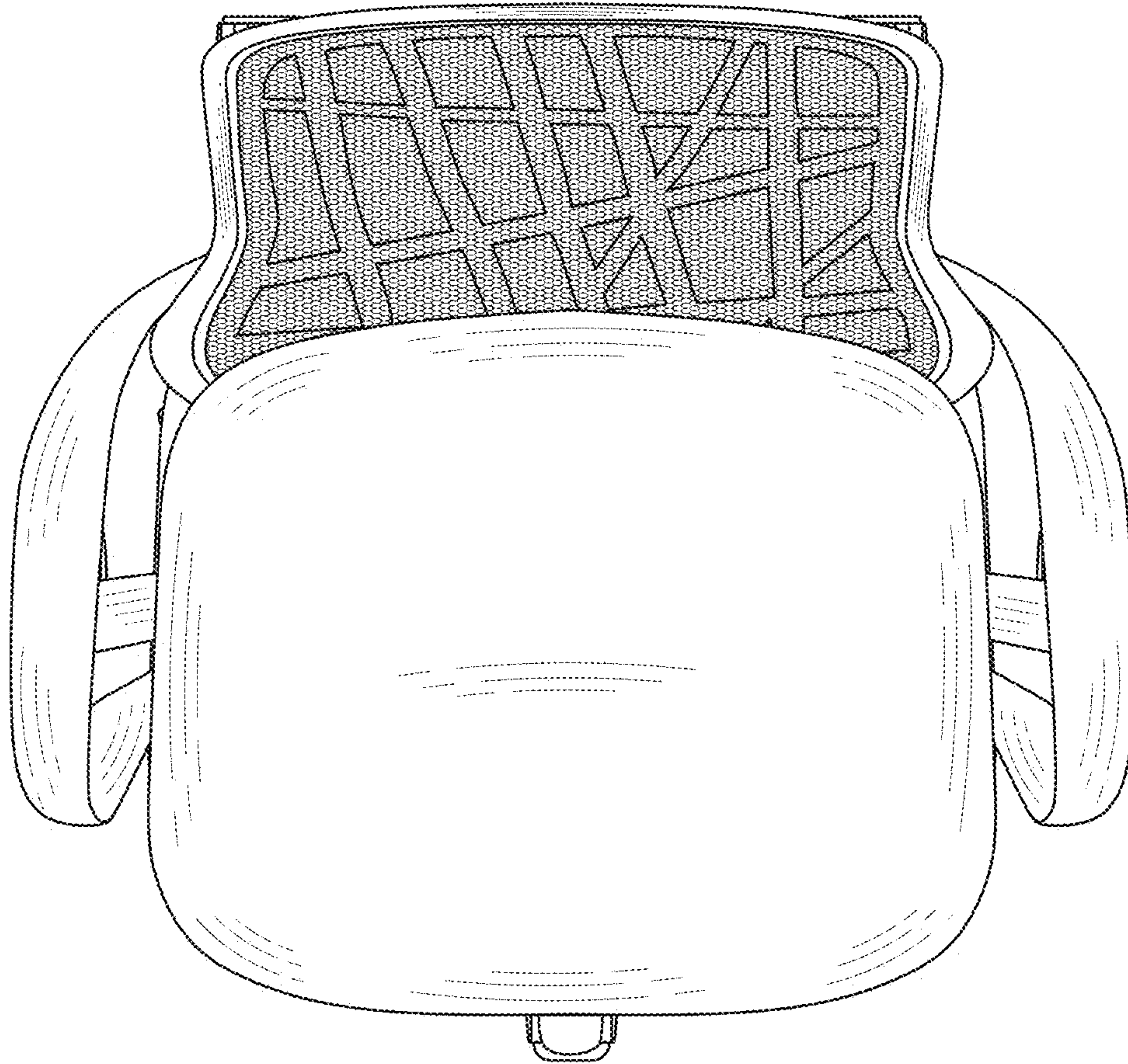


FIG. 6

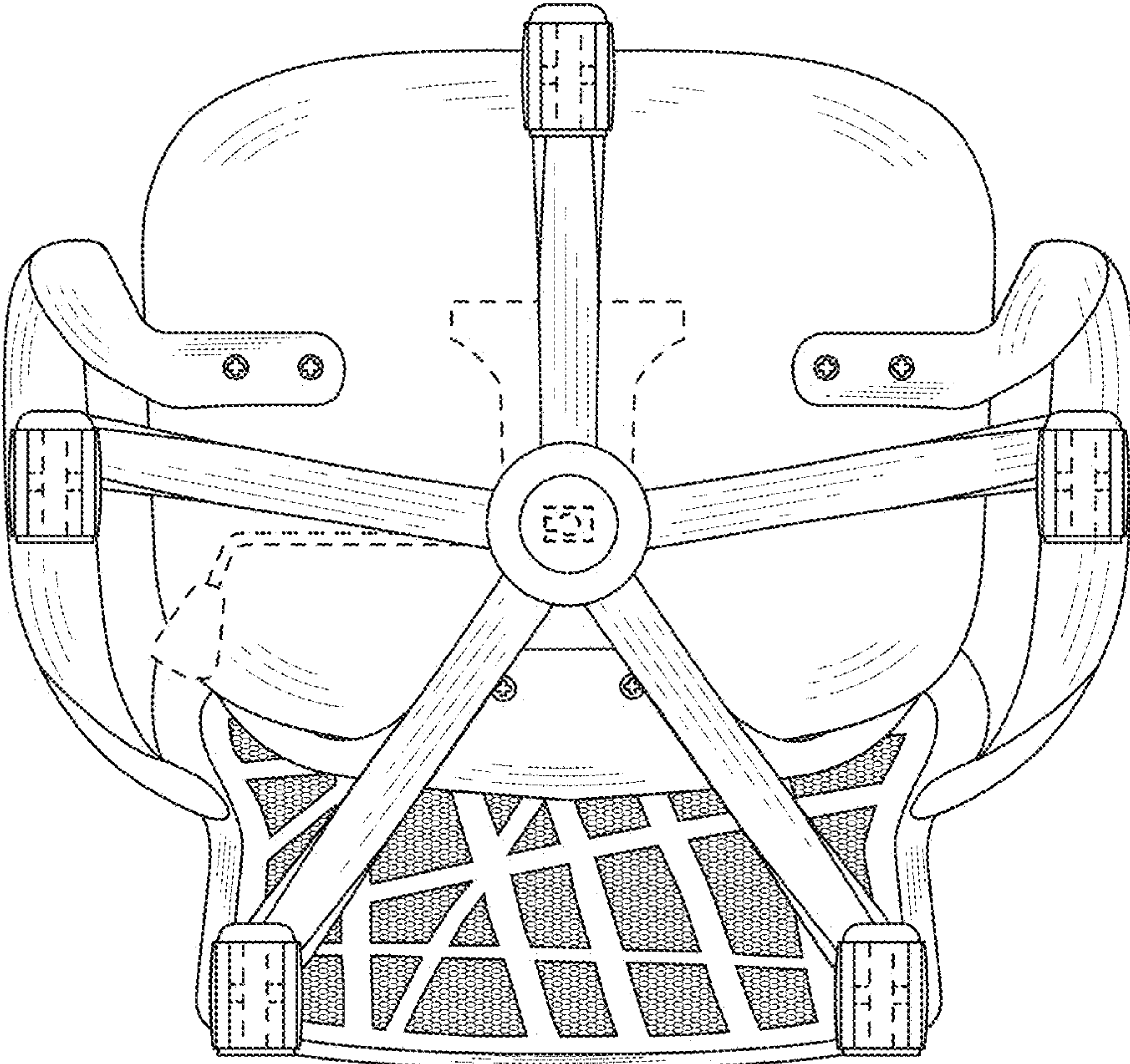


FIG. 7