



US00D905990S

(12) **United States Design Patent** (10) **Patent No.:** **US D905,990 S**
Li (45) **Date of Patent:** **** Dec. 29, 2020**

(54) **CHAIR**

(71) Applicant: **39F USA INC**, Rancho Cucamonga, CA (US)

(72) Inventor: **Yuehai Li**, Rancho Cucamonga, CA (US)

(**) Term: **15 Years**

(21) Appl. No.: **29/692,549**

(22) Filed: **May 27, 2019**

(51) **LOC (12) Cl.** **06-01**

(52) **U.S. Cl.**
USPC **D6/366**

(58) **Field of Classification Search**
USPC D6/334, 344, 348, 364, 366, 369, 370, D6/371, 373, 381, 708, 716, 375, 716.3; D21/521, 695
CPC A47C 3/029; A47C 3/027; A47C 3/02; A47C 3/04; A47C 3/12; A47C 4/03; A47C 4/04; A47C 5/12; A47C 7/18; A47C 1/0246; A47C 7/44; A47D 13/10; Y10S 297/01
See application file for complete search history.

(56) **References Cited**

U.S. PATENT DOCUMENTS

D260,204 S * 8/1981 Sapper D6/366
D622,986 S * 9/2010 Kubryk D6/716

D663,975 S * 7/2012 Kubryk D6/366
D699,494 S * 2/2014 Kac-Yuglich D6/716
D766,640 S * 9/2016 Kubryk D6/716
D767,318 S * 9/2016 Kubryk D6/716
D804,840 S * 12/2017 Ludwig D6/366
D824,710 S * 8/2018 Geelen D6/716
D864,641 S * 10/2019 Geelen D6/716
D871,121 S * 12/2019 Sandona D6/716
D876,854 S * 3/2020 Baccolini D6/375

* cited by examiner

Primary Examiner — Kevin K Rudzinski
Assistant Examiner — Paul D Bohannon
(74) *Attorney, Agent, or Firm* — Feng Qian

(57) **CLAIM**

The ornamental design for a chair, as shown and described.

DESCRIPTION

FIG. 1 is a front perspective view of a chair showing my new design;
FIG. 2 is a front elevation view thereof;
FIG. 3 is a rear elevation view thereof;
FIG. 4 is a left-side elevation view thereof;
FIG. 5 is a right-side elevation view thereof;
FIG. 6 is a top plan view thereof; and,
FIG. 7 is a bottom plan view thereof.
The broken lines shown in the drawings are for the purpose of illustrating portions of the article, and form no part of the claimed design.

1 Claim, 7 Drawing Sheets

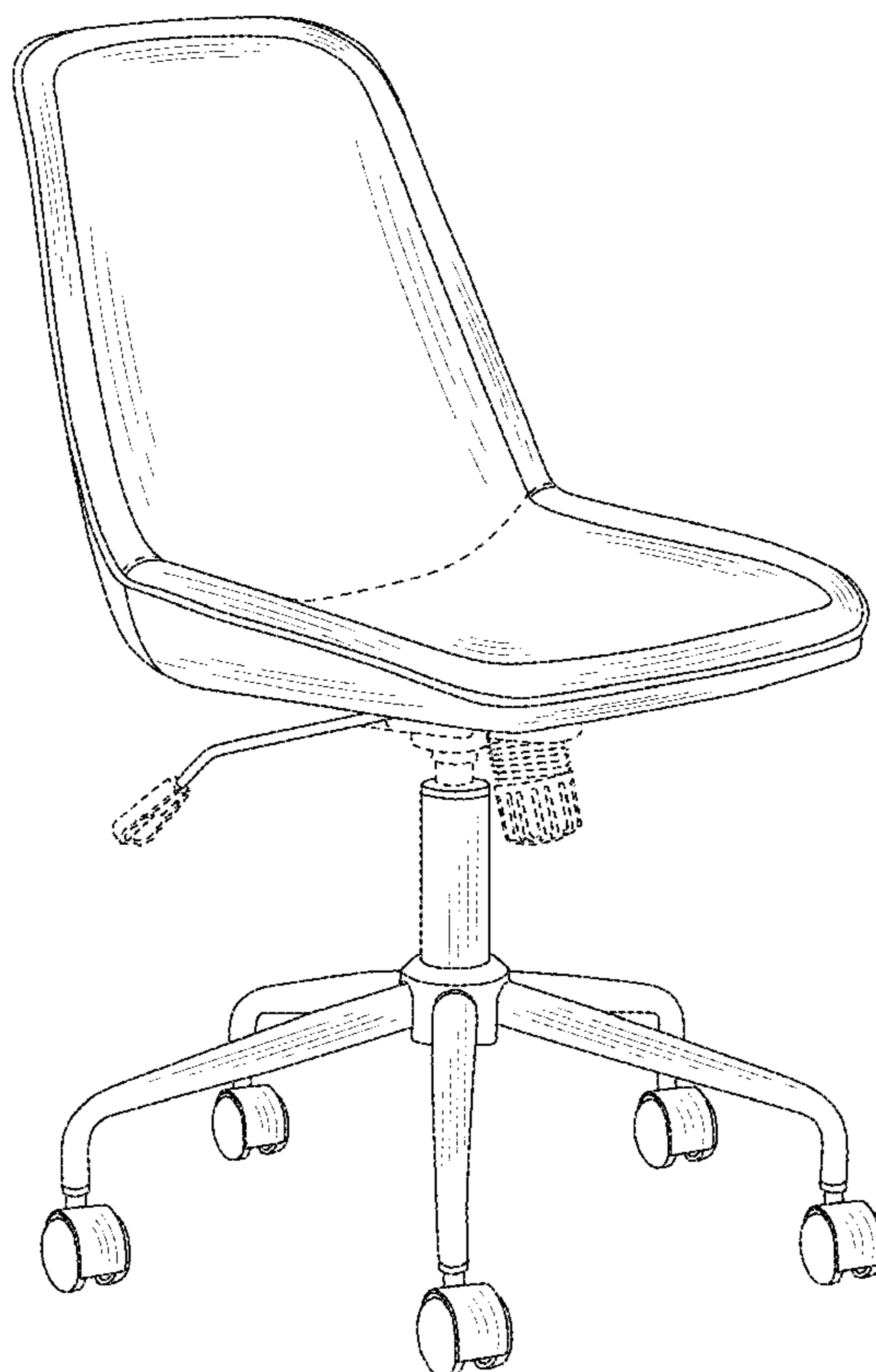




FIG. 1

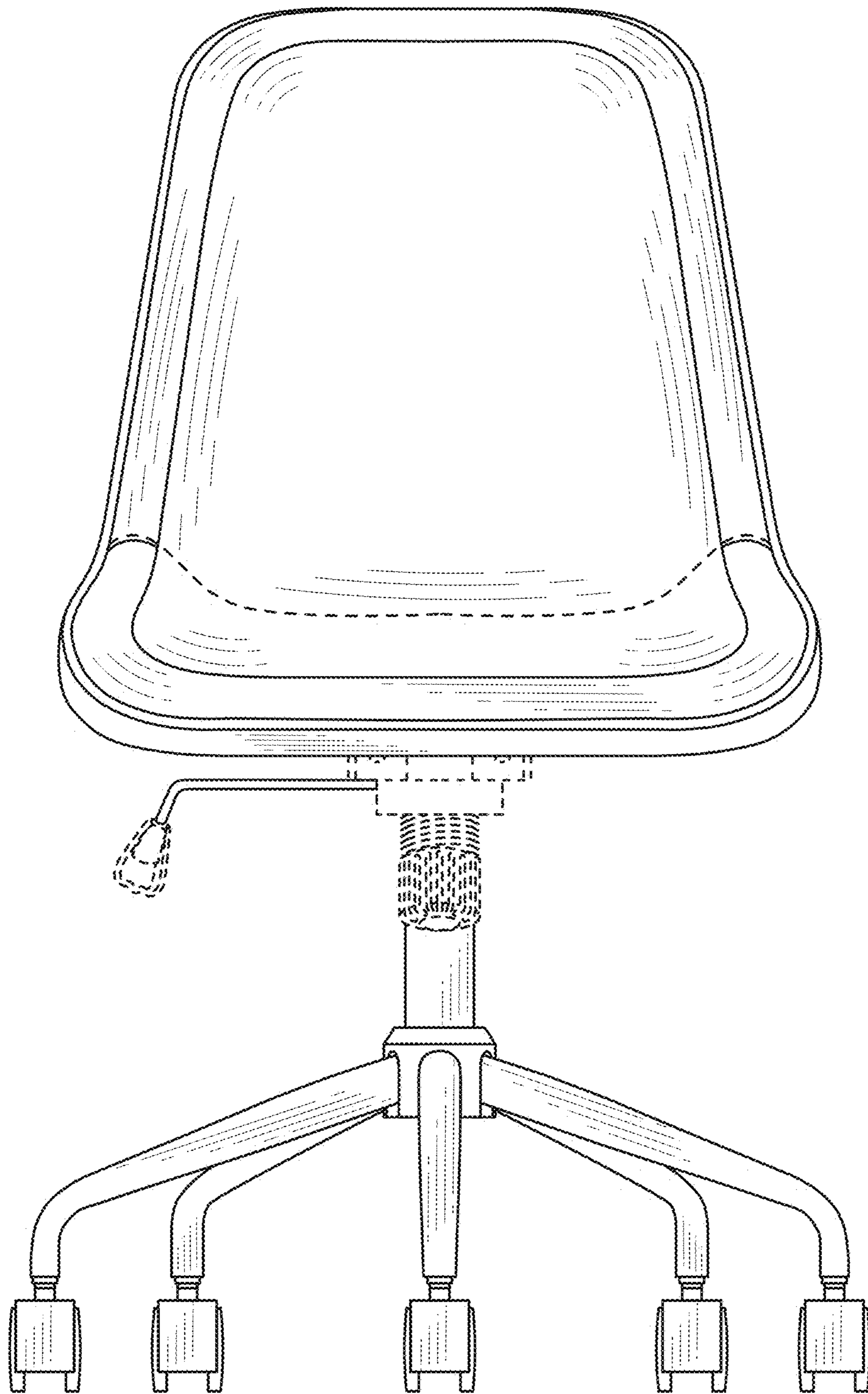


FIG. 2

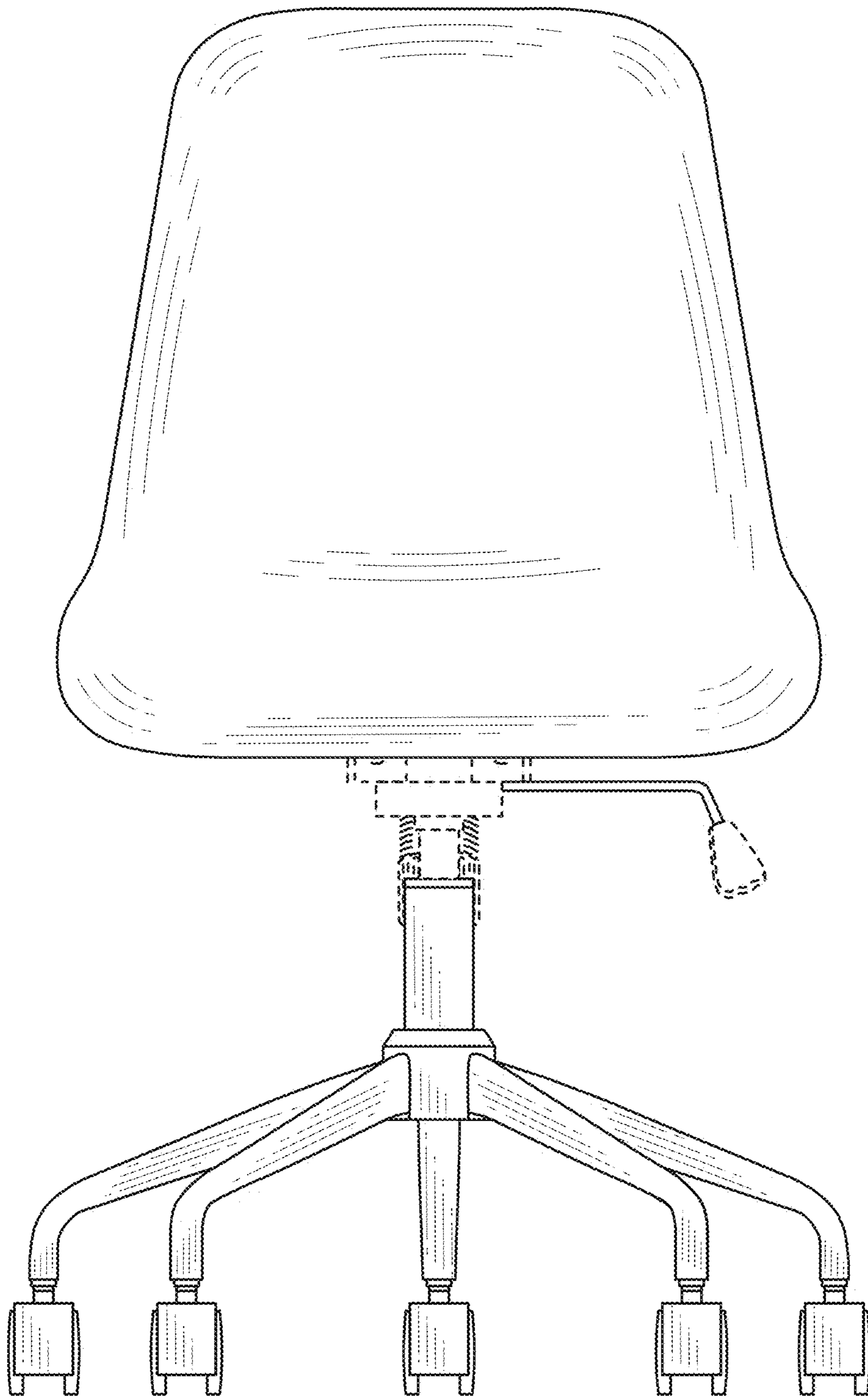


FIG. 3

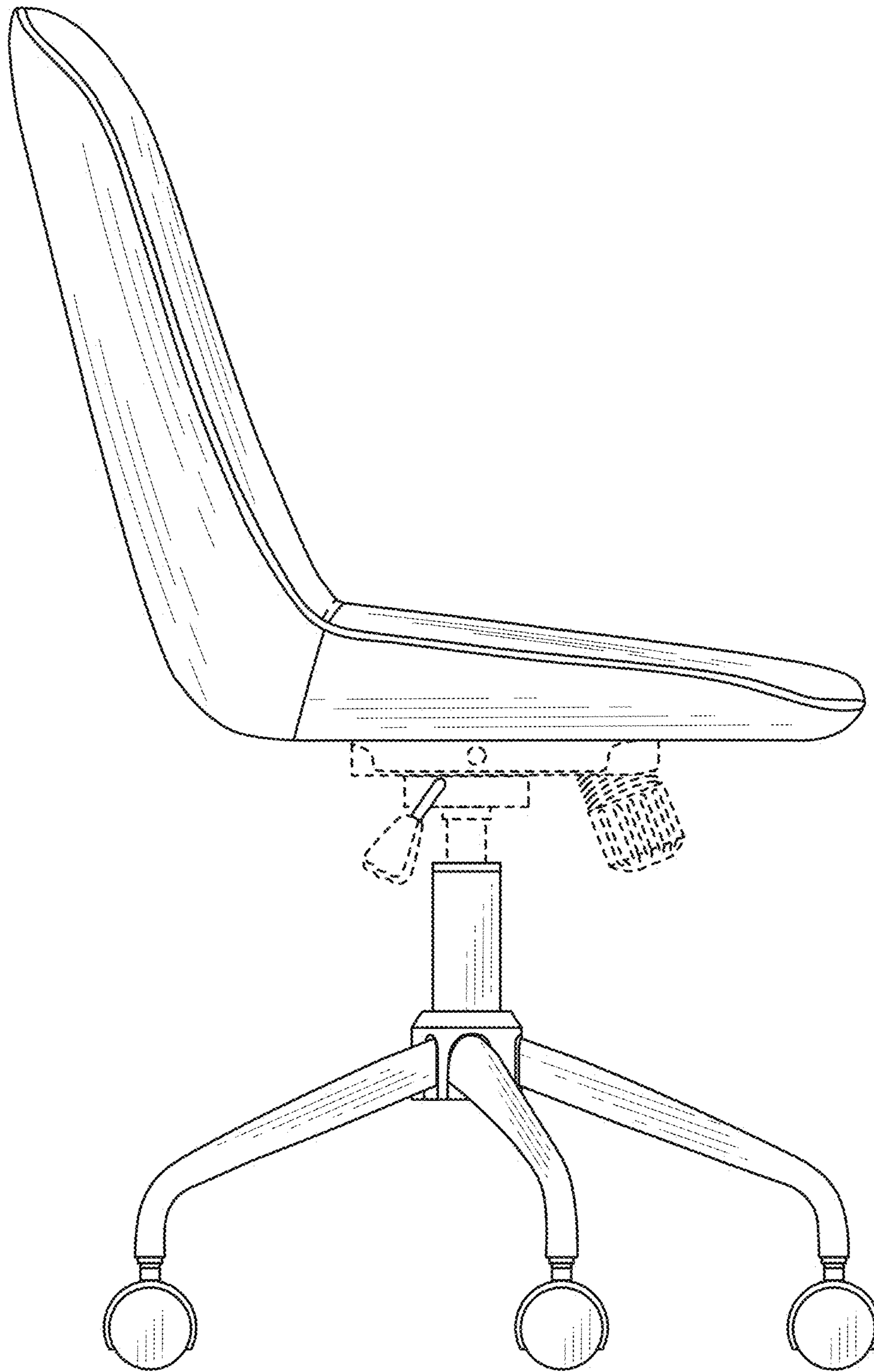


FIG. 4

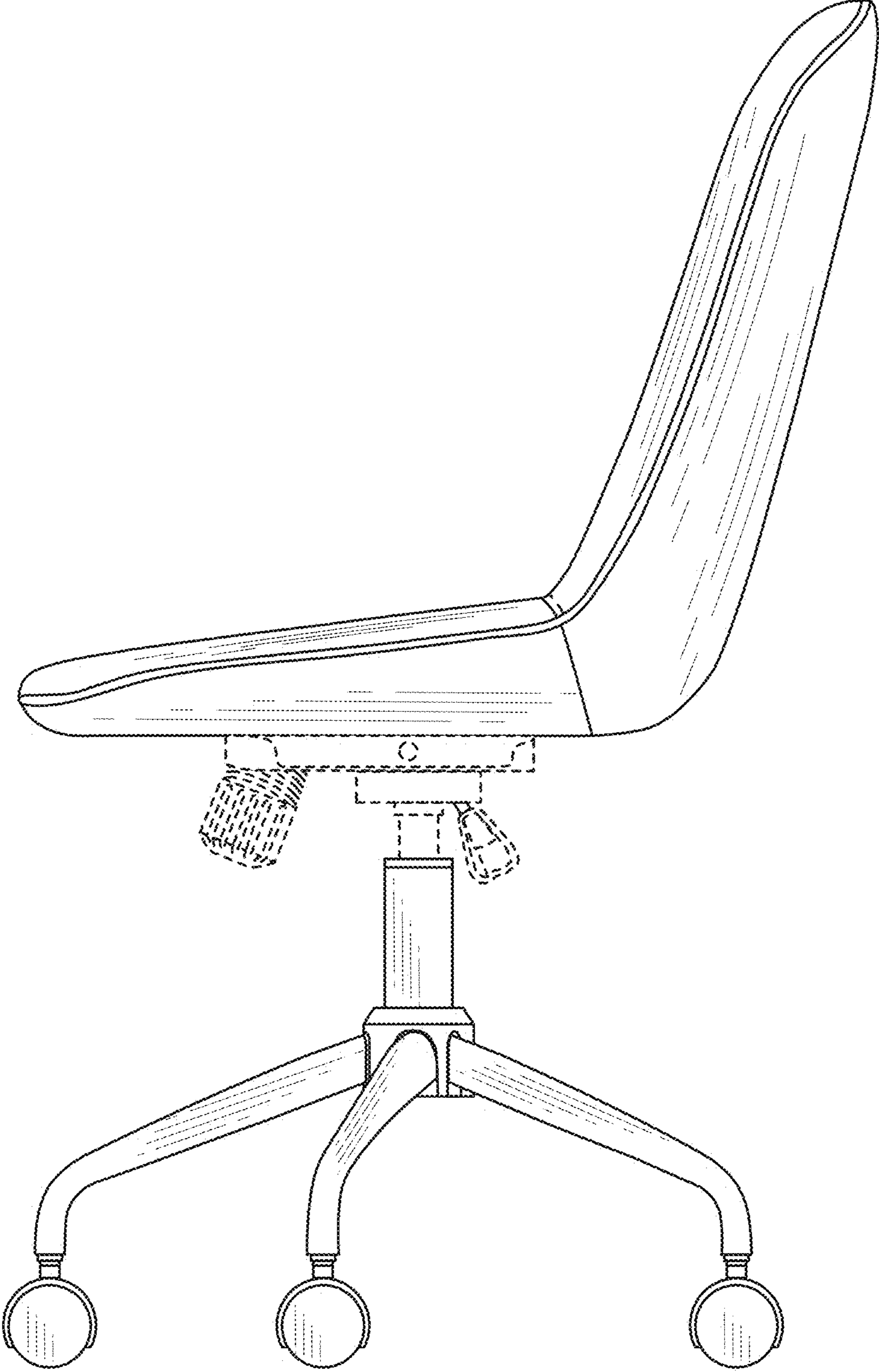


FIG. 5

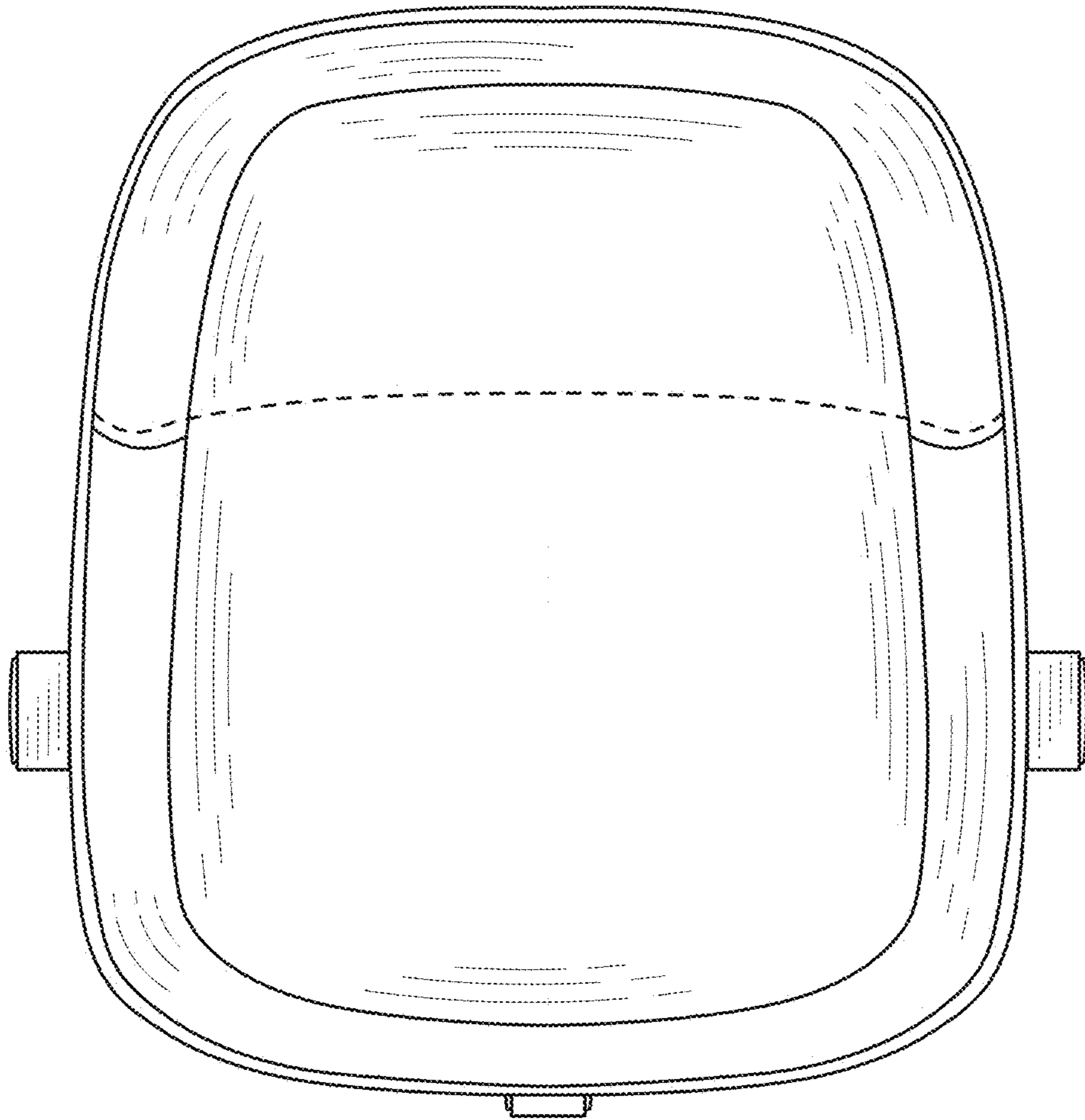


FIG. 6

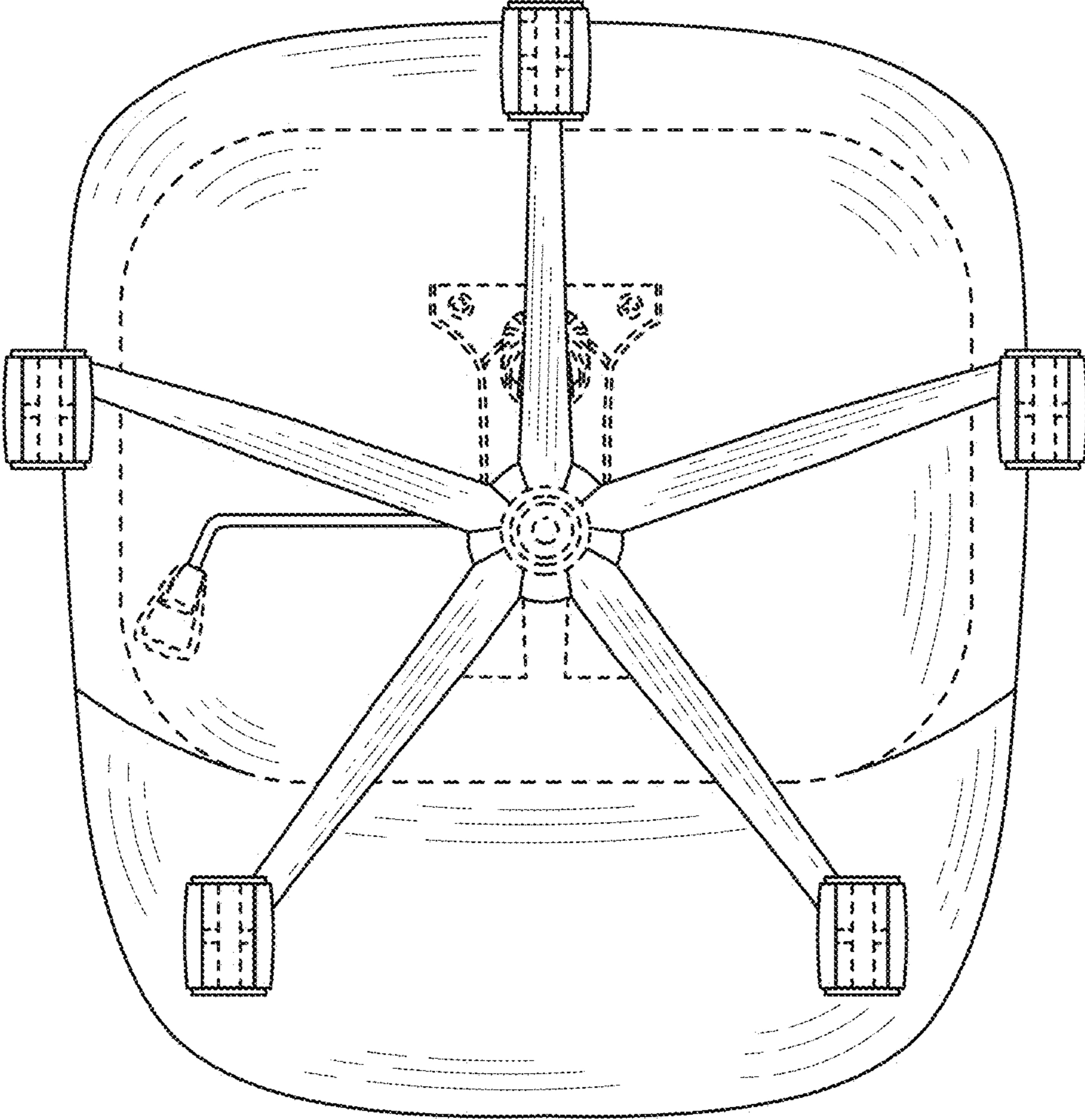


FIG. 7