



US00D905988S

(12) **United States Design Patent**  
**Ephgrave**

(10) **Patent No.:** **US D905,988 S**

(45) **Date of Patent:** **\*\* Dec. 29, 2020**

(54) **CHAIR**

(71) Applicant: **Caroline Ephgrave**, London (GB)

(72) Inventor: **Caroline Ephgrave**, London (GB)

(\*\*) Term: **15 Years**

(21) Appl. No.: **29/672,093**

(22) Filed: **Dec. 3, 2018**

(30) **Foreign Application Priority Data**

Nov. 14, 2018 (GB) ..... 6048177

(51) **LOC (12) Cl.** ..... **06-01**

(52) **U.S. Cl.**  
USPC ..... **D6/366**

(58) **Field of Classification Search**  
USPC ..... D6/334-336, 364, 365, 366, 374, 379,  
D6/380, 716, 716.1, 716.4  
CPC ..... A47C 7/002; A47C 7/004; A47C 7/006;  
A47C 7/18; A47C 7/24; A47C 7/40;  
A47C 4/028; A47C 7/46  
See application file for complete search history.

(56) **References Cited**

**U.S. PATENT DOCUMENTS**

D193,614 S \* 9/1962 Deaton ..... D6/366  
D270,020 S \* 8/1983 Drabert ..... D6/366  
D289,708 S \* 5/1987 Rykken ..... D6/335

5,577,811 A \* 11/1996 Ogg ..... A47C 7/46  
297/284.4  
D411,692 S \* 6/1999 Ogg ..... D6/366  
D463,178 S \* 9/2002 Chu ..... D6/716.4  
D463,694 S \* 10/2002 Chu ..... D6/716.4  
D495,508 S \* 9/2004 Summers ..... D6/366  
D547,959 S \* 8/2007 Adams ..... D6/366

\* cited by examiner

*Primary Examiner* — Mimosa De  
(74) *Attorney, Agent, or Firm* — Patenttm.us

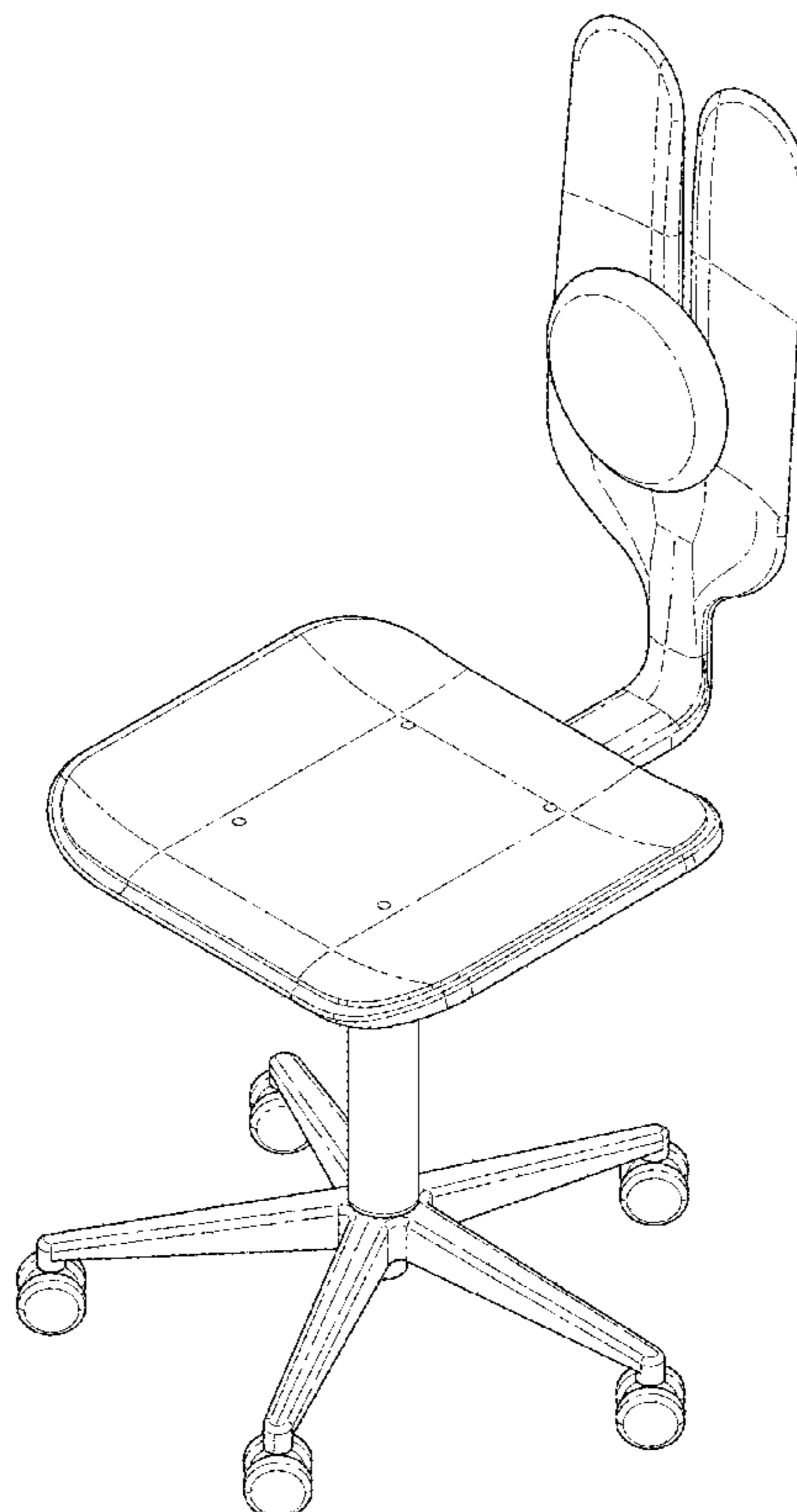
(57) **CLAIM**

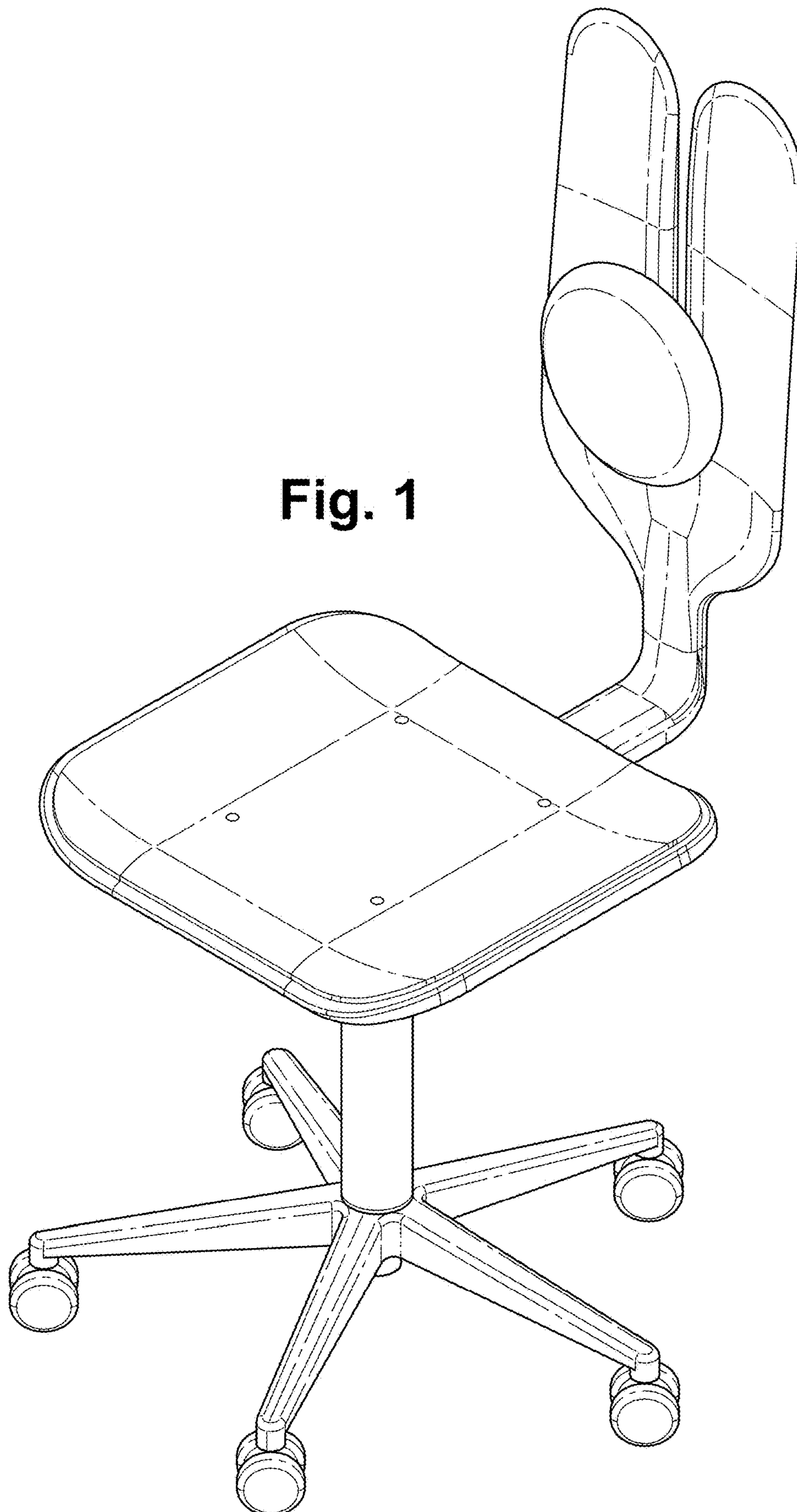
I claim the ornamental design of a chair, as shown and described.

**DESCRIPTION**

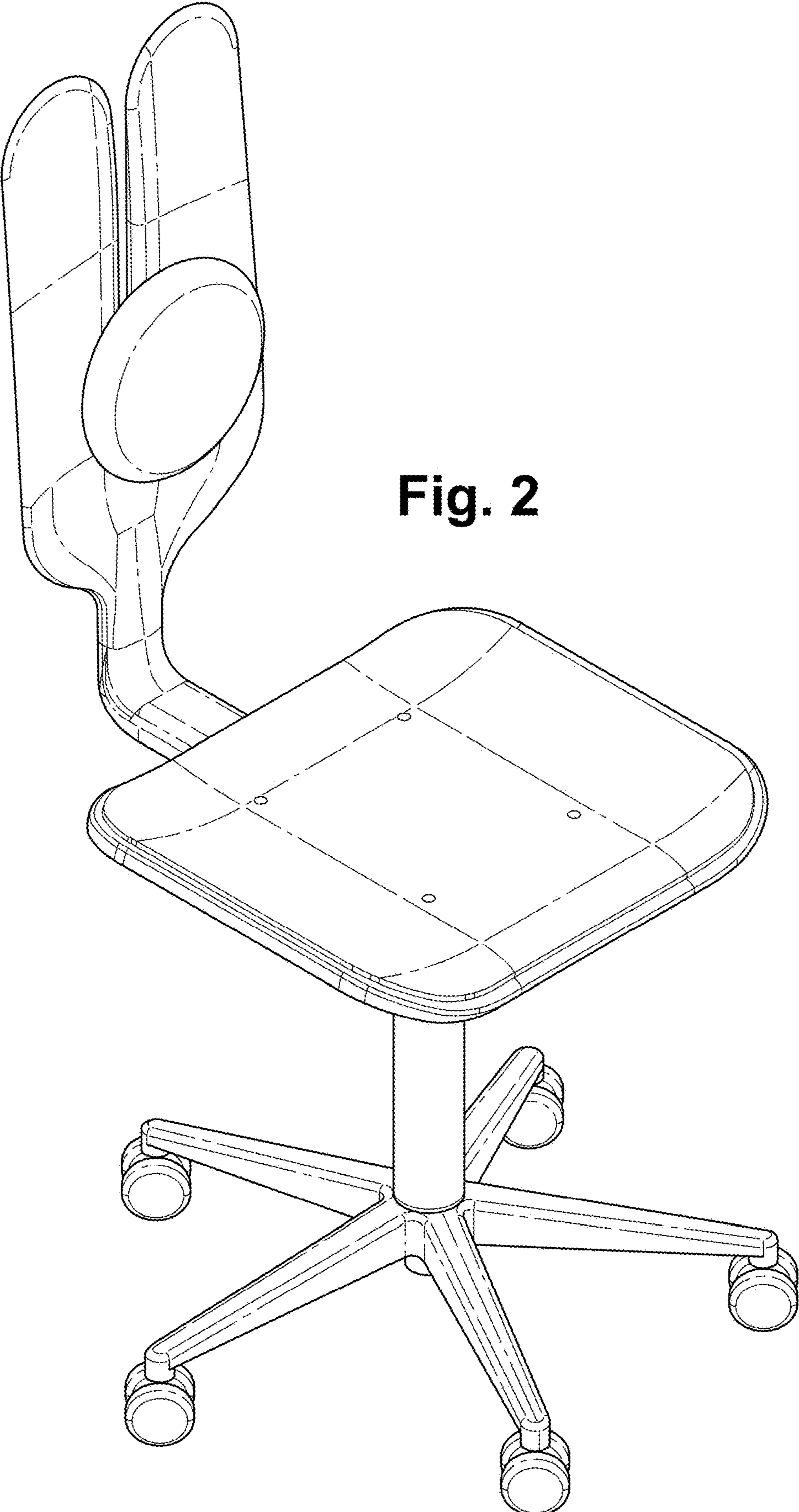
FIG. 1 shows a front perspective view from above and one side of a design of a chair;  
FIG. 2 shows a front perspective view from above and the opposite side of the design of a chair;  
FIG. 3 shows a view from the front of the design of a chair;  
FIG. 4 shows a rear perspective view from above and one side of the design of a chair;  
FIG. 5 shows a rear perspective view from above and the opposite side of the design of a chair;  
FIG. 6 shows a view from the rear of the design of a chair;  
FIG. 7 shows a top plan view of the design of a chair;  
FIG. 8 shows a view from one side of the design of a chair;  
FIG. 9 shows a view from the opposite side of the design of a chair; and,  
FIG. 10 shows a bottom plan view of the design of a chair. The broken lines shown in the figures represent contour, not surface decoration.

**1 Claim, 10 Drawing Sheets**

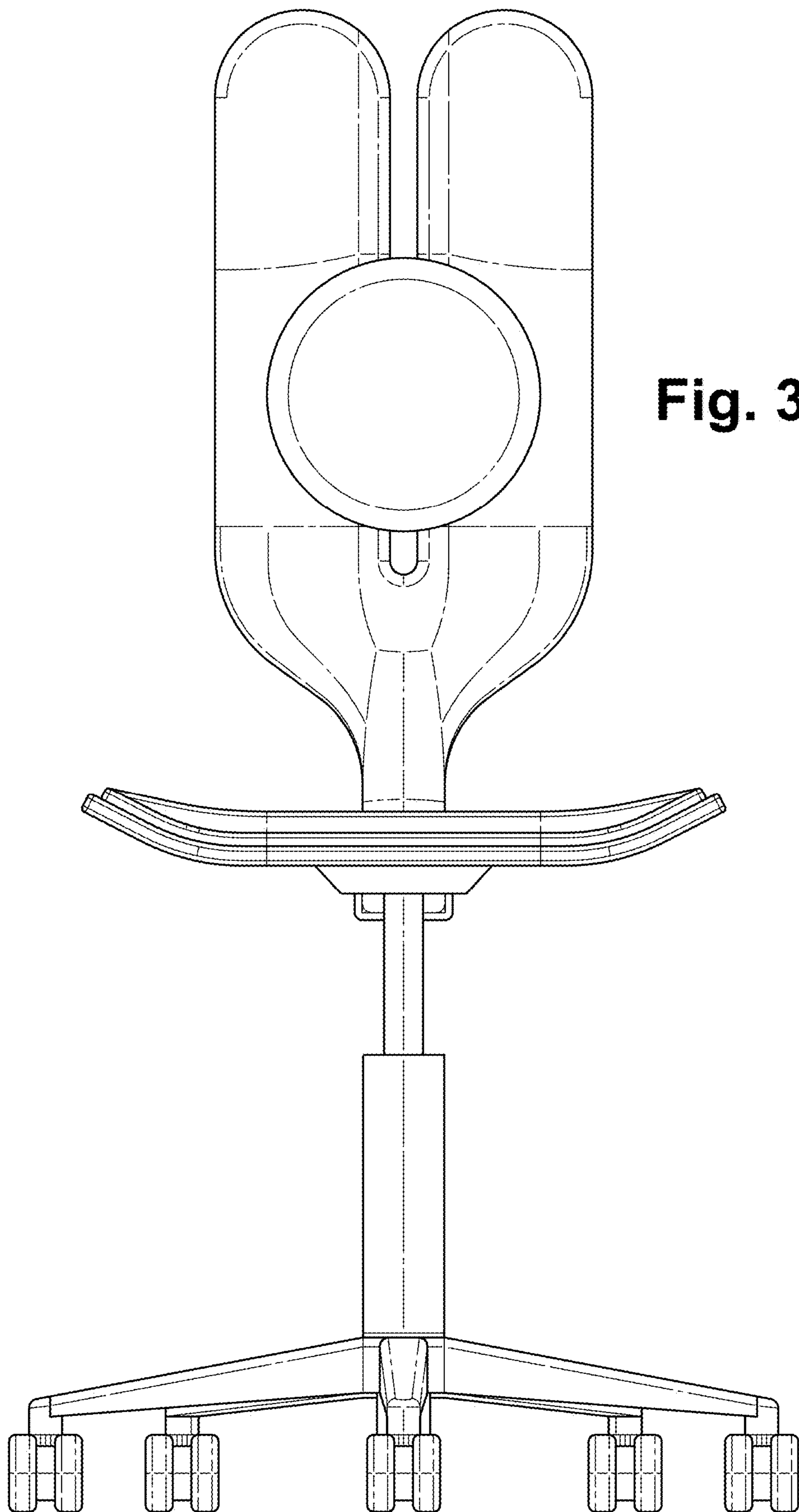




**Fig. 1**

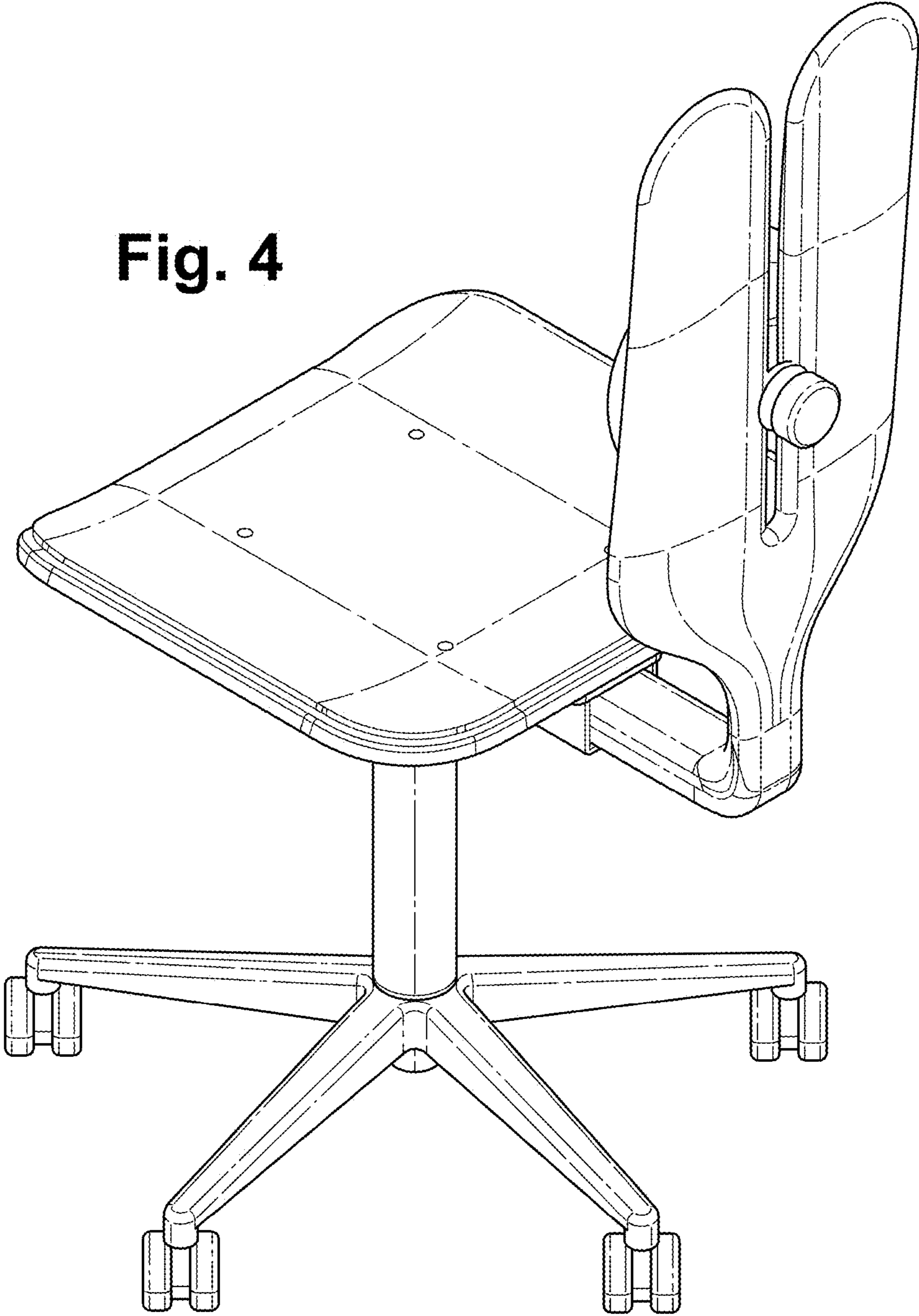


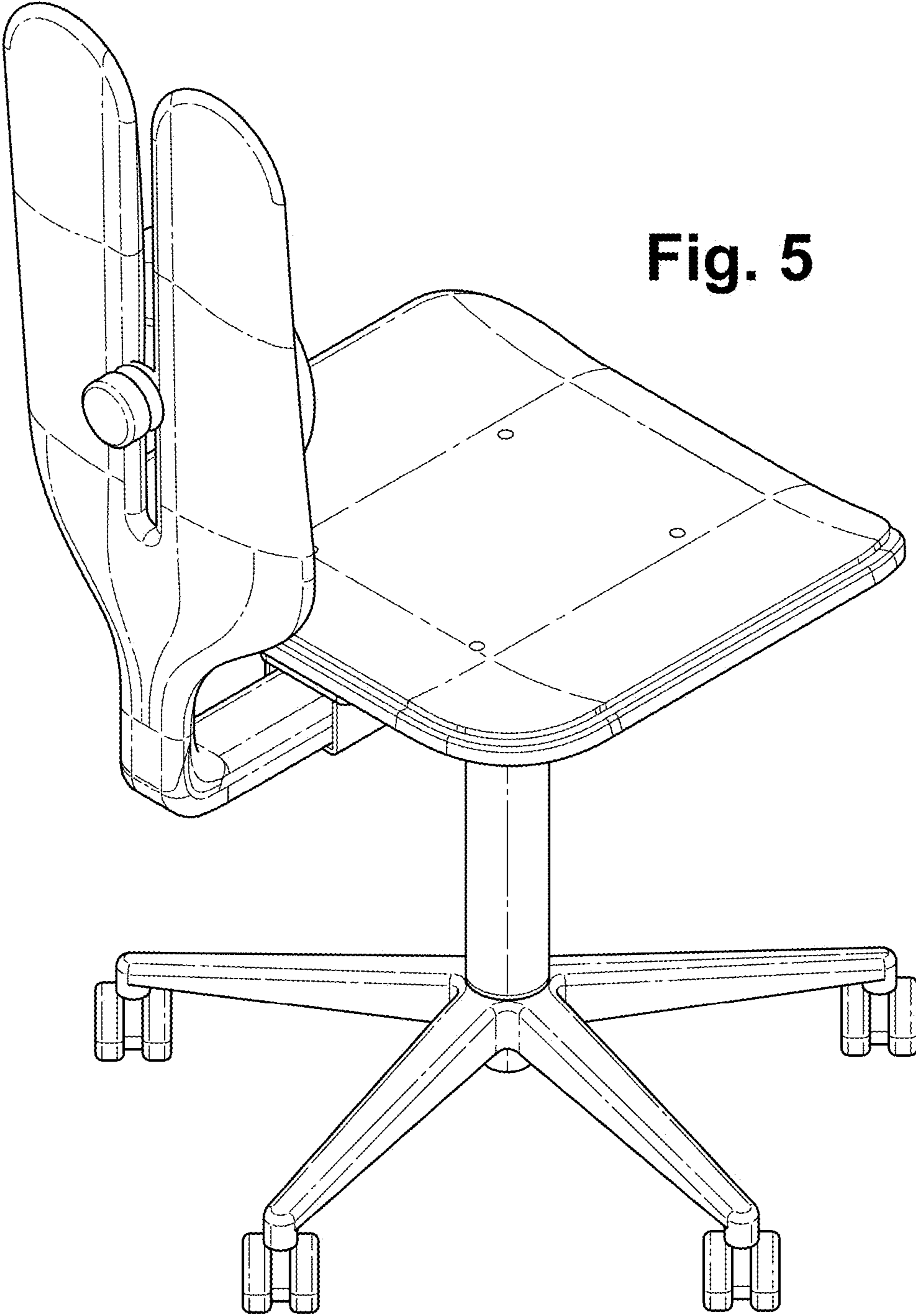
**Fig. 2**



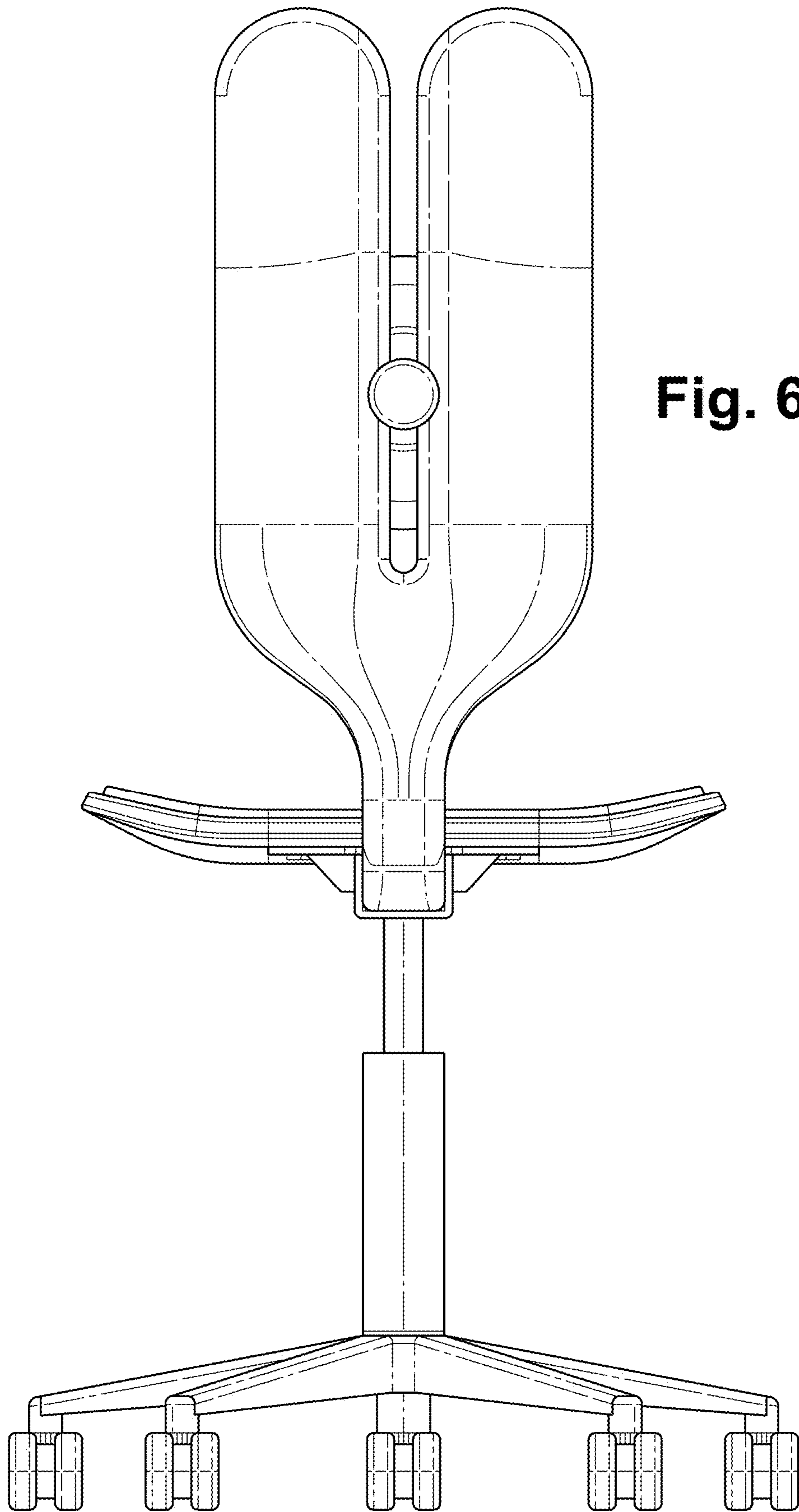
**Fig. 3**

**Fig. 4**

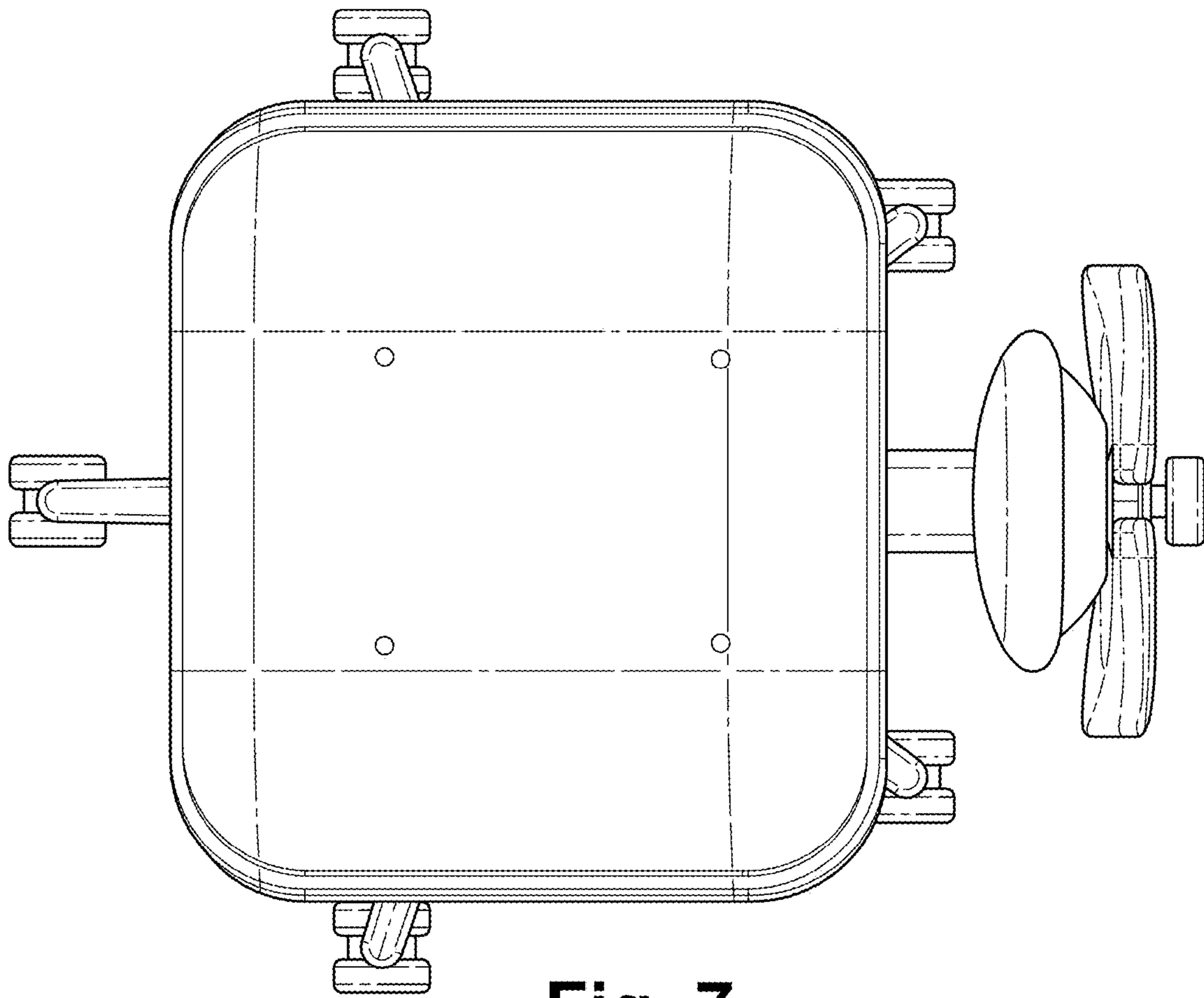




**Fig. 5**

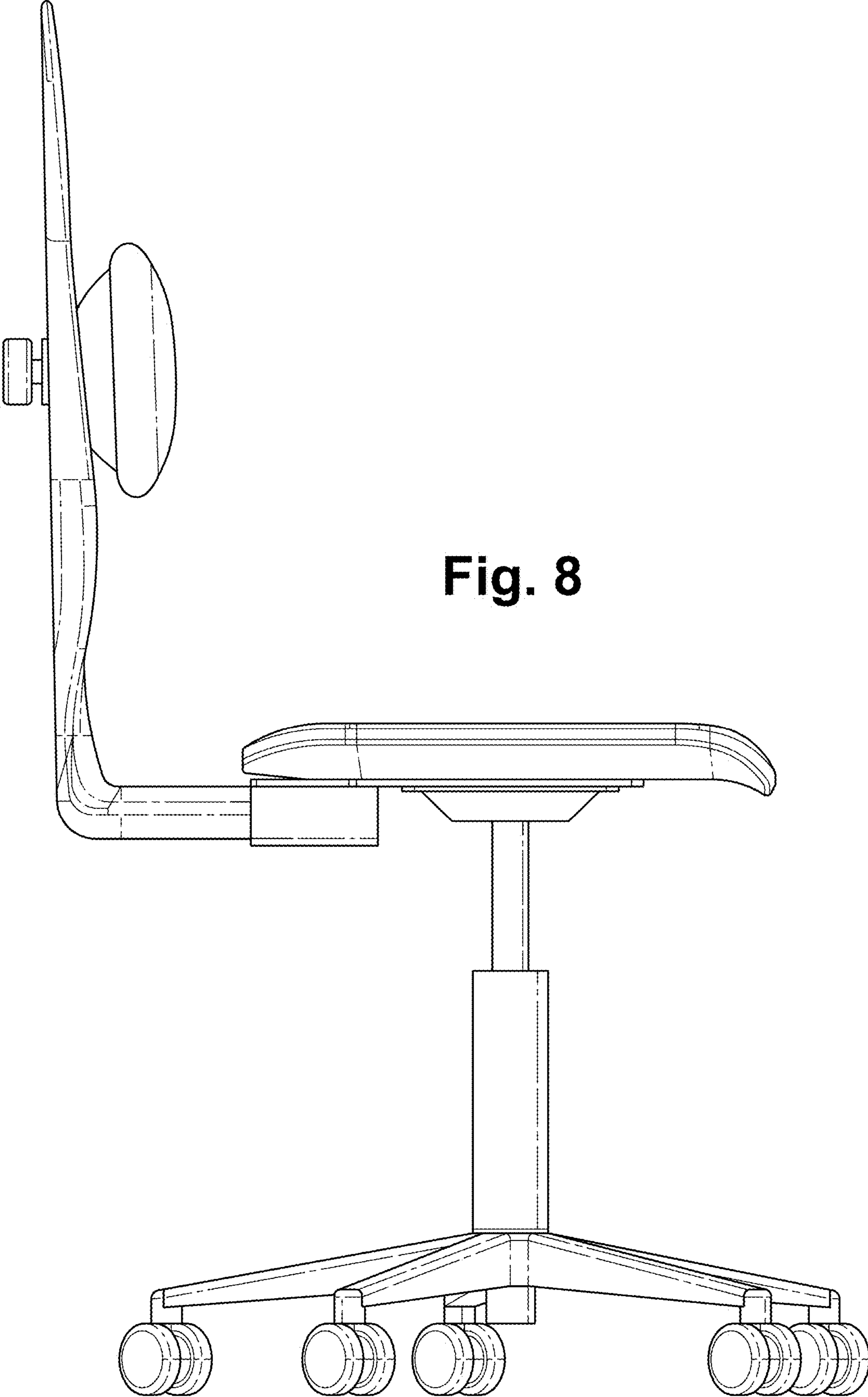


**Fig. 6**

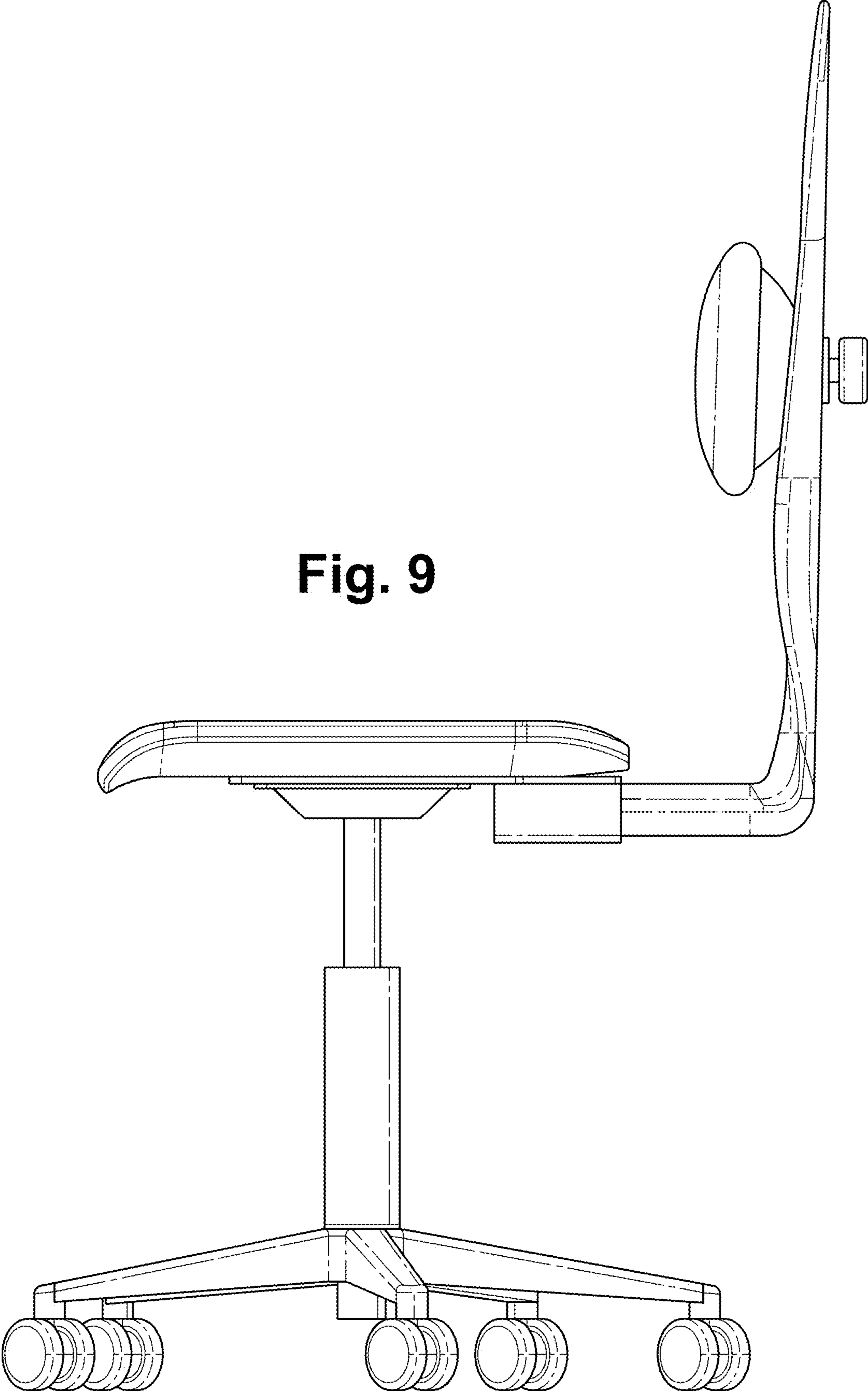


**Fig. 7**

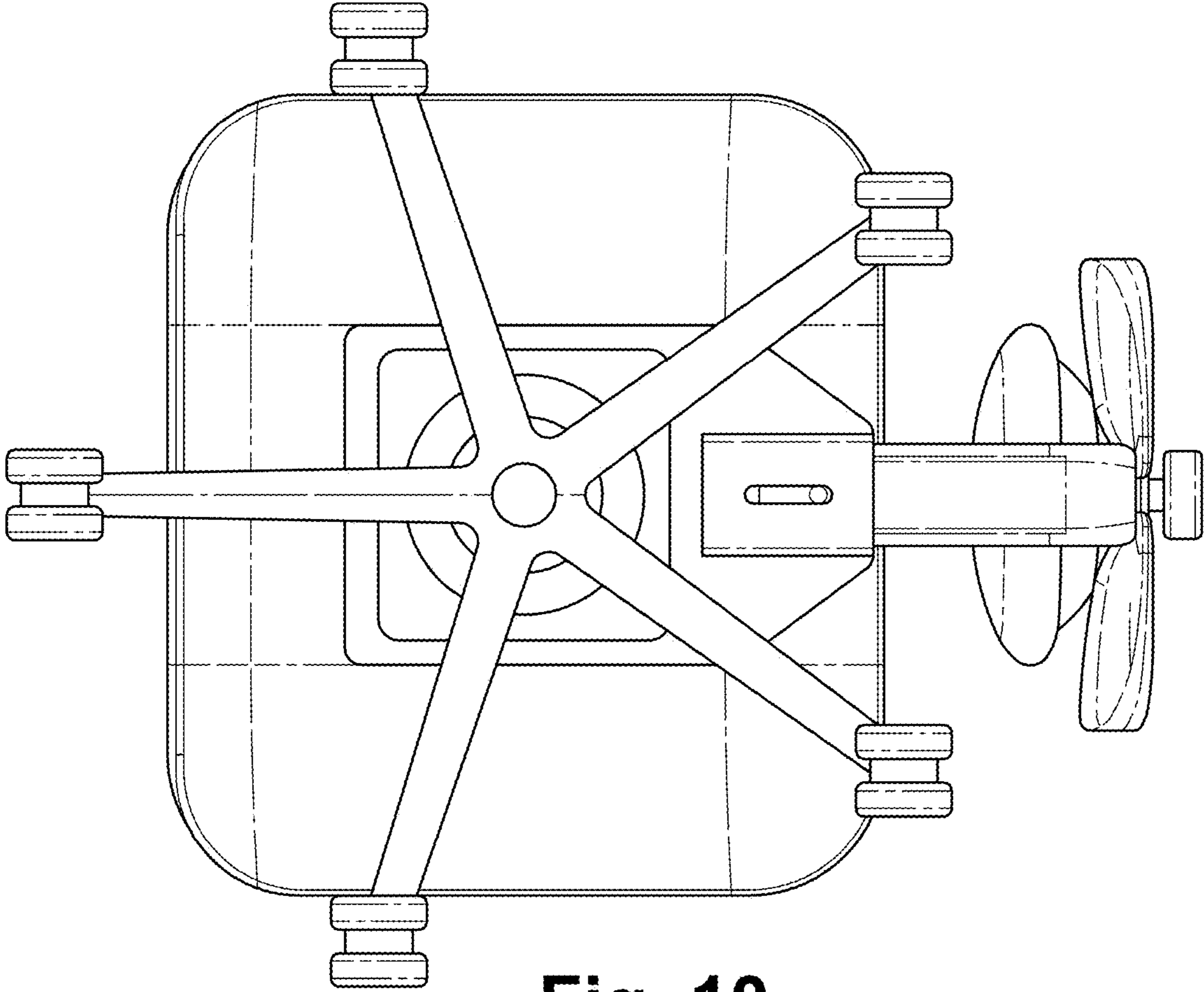




**Fig. 8**



**Fig. 9**



**Fig. 10**