



US00D905985S

(12) **United States Design Patent**  
**Li**

(10) **Patent No.:** **US D905,985 S**

(45) **Date of Patent:** **\*\* Dec. 29, 2020**

(54) **STOOL**

(71) Applicant: **39F USA INC**, Rancho Cucamonga, CA (US)

(72) Inventor: **Yuehai Li**, Rancho Cucamonga, CA (US)

(\*\*) Term: **15 Years**

(21) Appl. No.: **29/700,245**

(22) Filed: **Jul. 31, 2019**

(51) **LOC (12) Cl.** ..... **06-01**

(52) **U.S. Cl.**  
USPC ..... **D6/360**

(58) **Field of Classification Search**  
USPC ..... D6/334, 349, 350, 360, 362, 367, 368, D6/374, 375, 379, 380, 381, 716.2, 716.7  
CPC .. A47C 1/00; A47C 1/02; A47C 1/024; A47C 1/03; A47C 1/037; A47C 3/00; A47C 3/20; A47C 7/50; A47C 7/54; A47C 4/28; A47C 9/007; A47C 16/02  
See application file for complete search history.

(56) **References Cited**

**U.S. PATENT DOCUMENTS**

D487,982 S \* 4/2004 Lee ..... A47C 9/007  
D6/360  
D592,870 S \* 5/2009 Olano Jauregui ..... D6/360  
D638,633 S \* 5/2011 Du ..... D6/360  
D697,329 S \* 1/2014 Kuo ..... D6/358

D799,229 S \* 10/2017 Pan ..... D6/364  
D816,359 S \* 5/2018 Bendtzen ..... D6/360  
D876,116 S \* 2/2020 Ji ..... D6/374  
D880,173 S \* 4/2020 Killinger ..... D6/334  
D891,807 S \* 8/2020 Li ..... D6/375  
D892,525 S \* 8/2020 Killinger ..... D6/716  
2007/0290541 A1 \* 12/2007 Tsai ..... A47C 7/52  
297/423.1

**FOREIGN PATENT DOCUMENTS**

WO WO-2011097678 A1 \* 8/2011 ..... A47C 7/40

\* cited by examiner

*Primary Examiner* — R. Johnson

(74) *Attorney, Agent, or Firm* — Feng Qian

(57) **CLAIM**

The ornamental design for a stool, as shown and described.

**DESCRIPTION**

FIG. 1 is a front perspective view of a stool showing my new design;  
FIG. 2 is a front elevation view thereof;  
FIG. 3 is a rear elevation view thereof;  
FIG. 4 is a left-side elevation view thereof;  
FIG. 5 is a right-side elevation view thereof;  
FIG. 6 is a top plan view thereof; and,  
FIG. 7 is a bottom plan view thereof.

The broken lines shown in the drawings are for the purpose of illustrating portions of the stool that form no part of the claimed design.

**1 Claim, 7 Drawing Sheets**

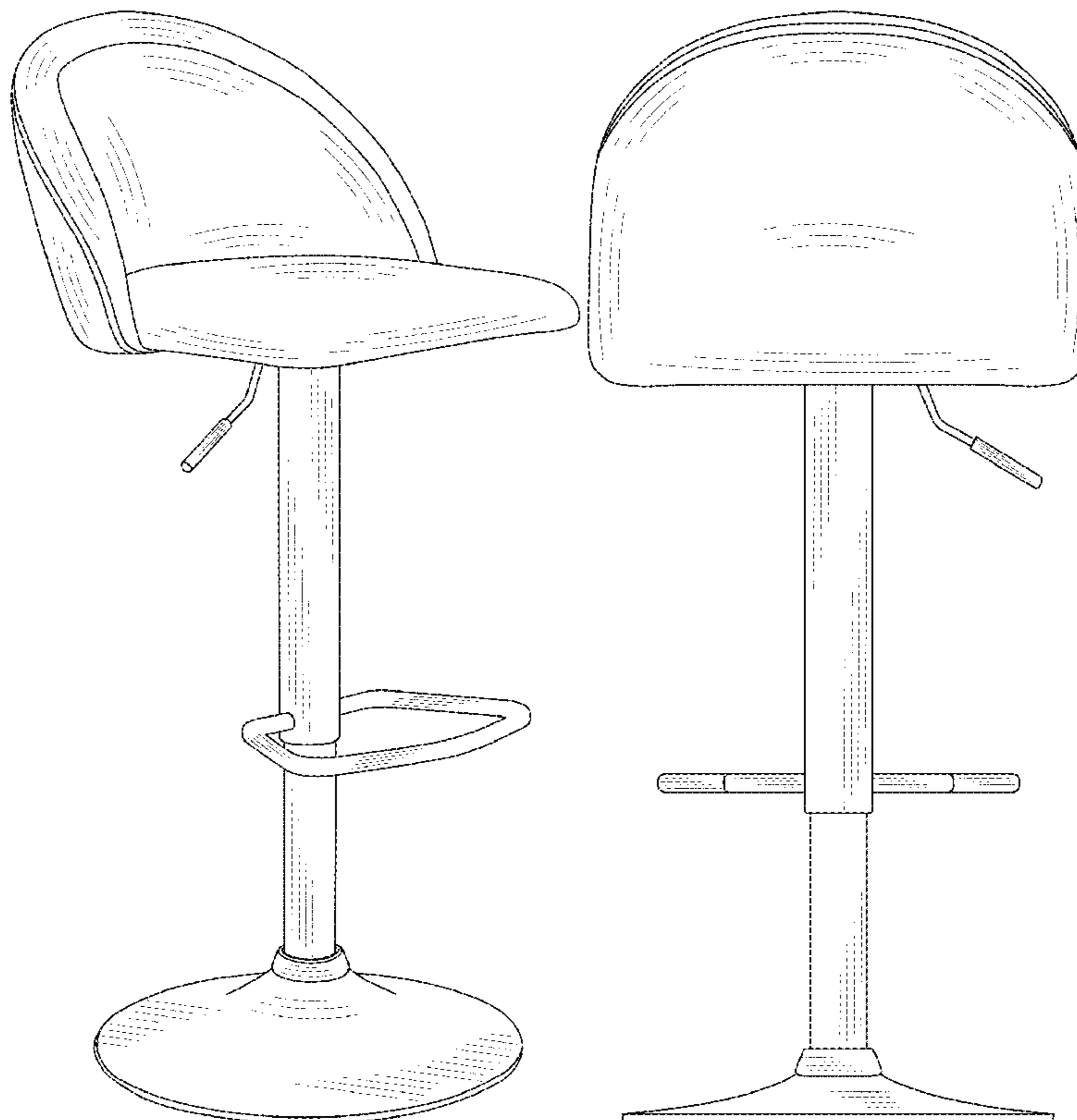




Fig. 1

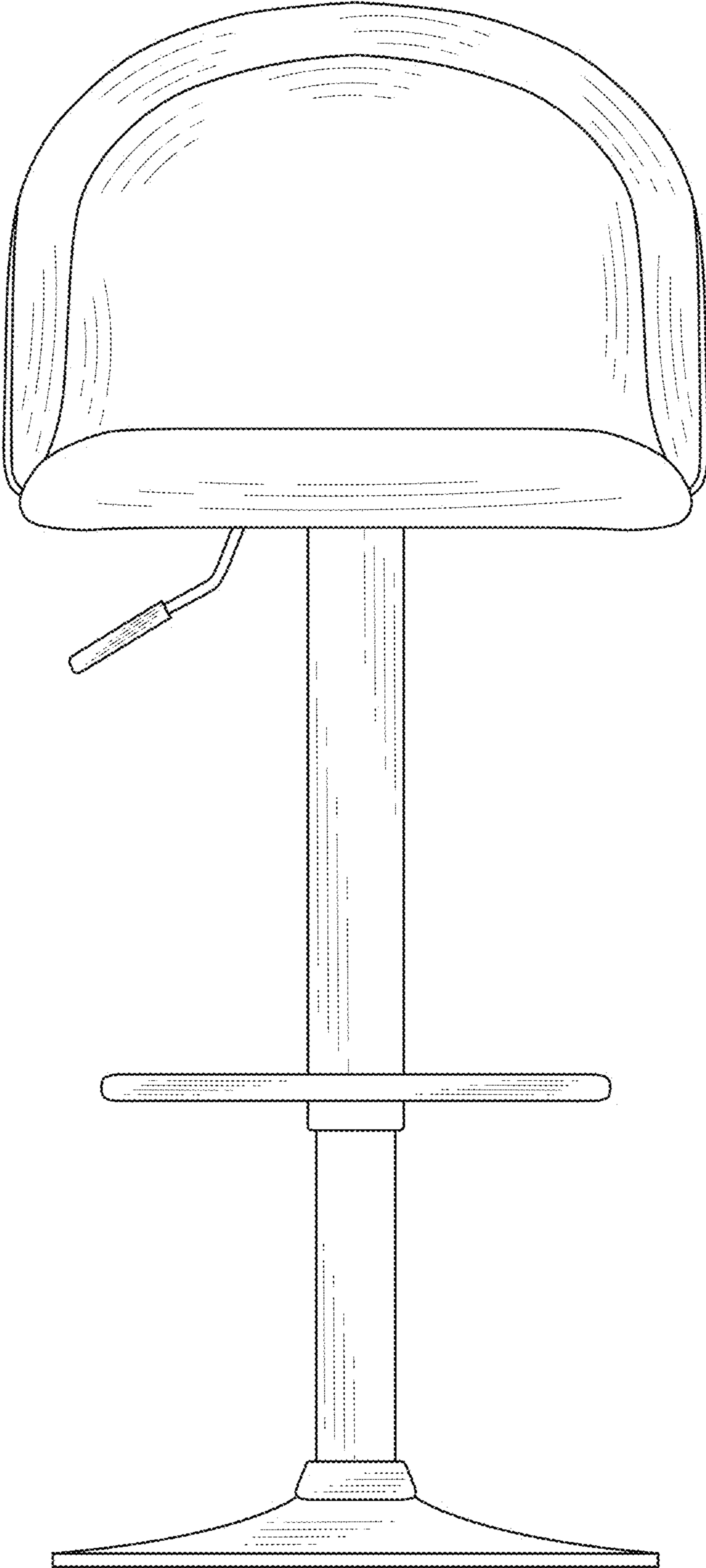


Fig. 2

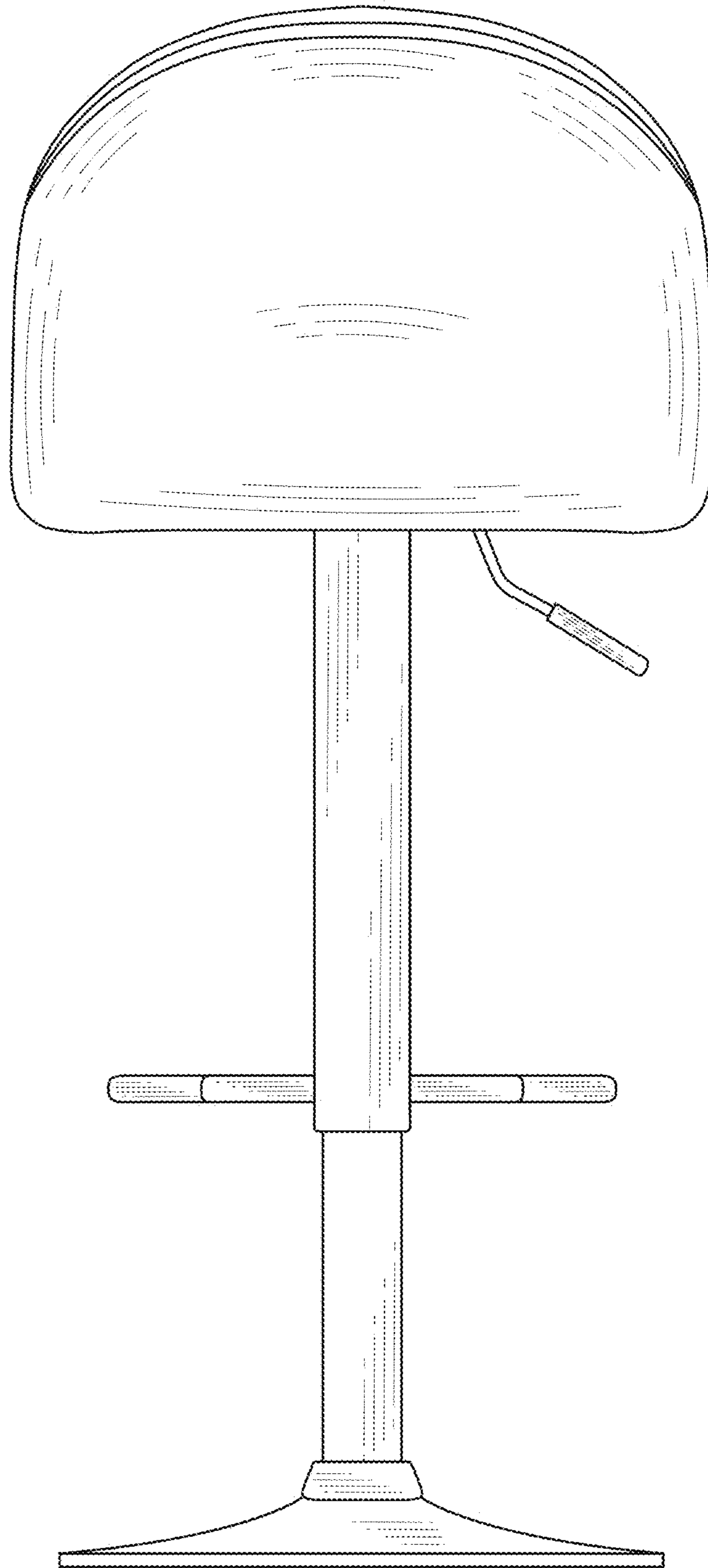


Fig. 3

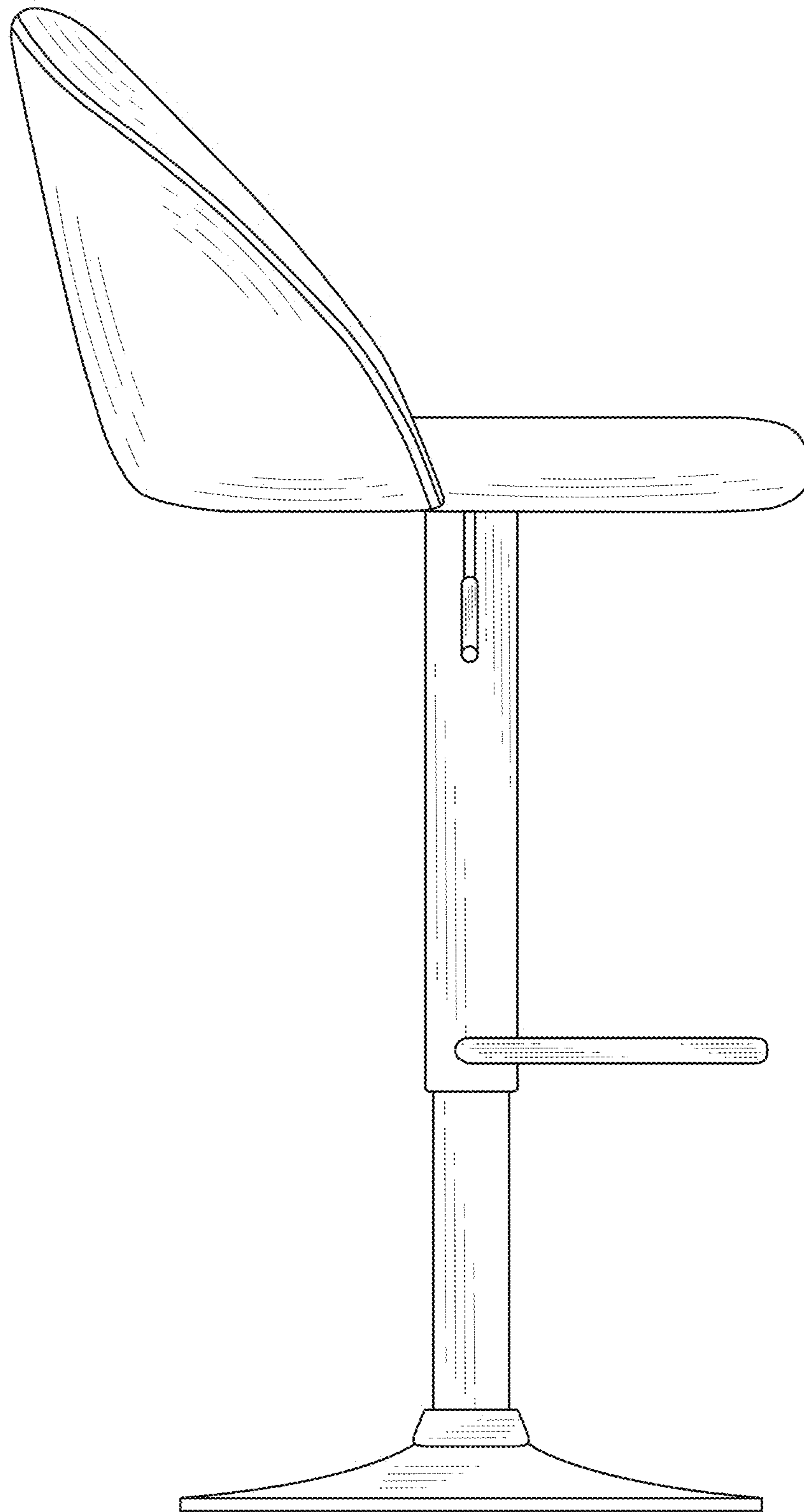


Fig. 4

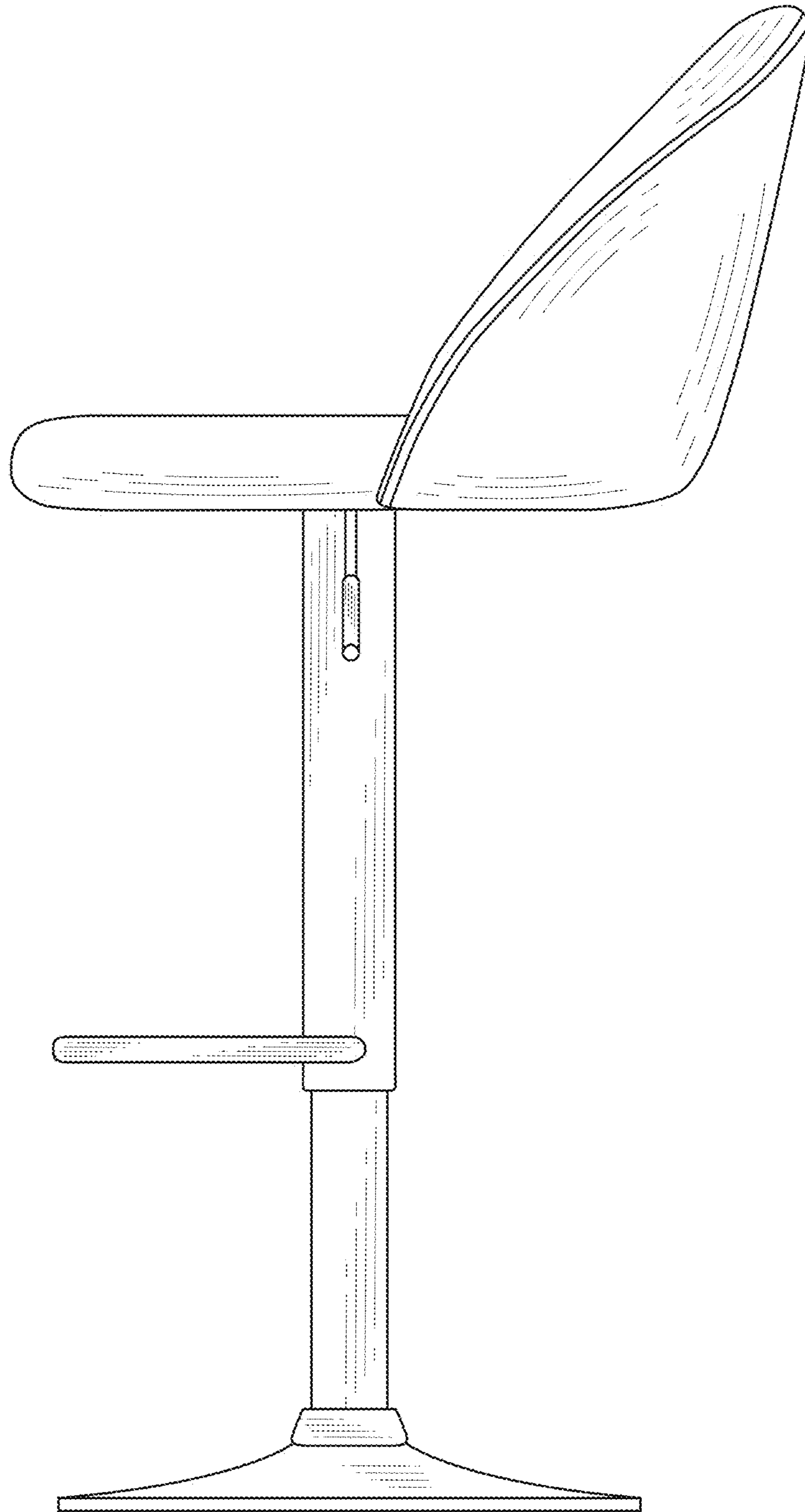


Fig. 5

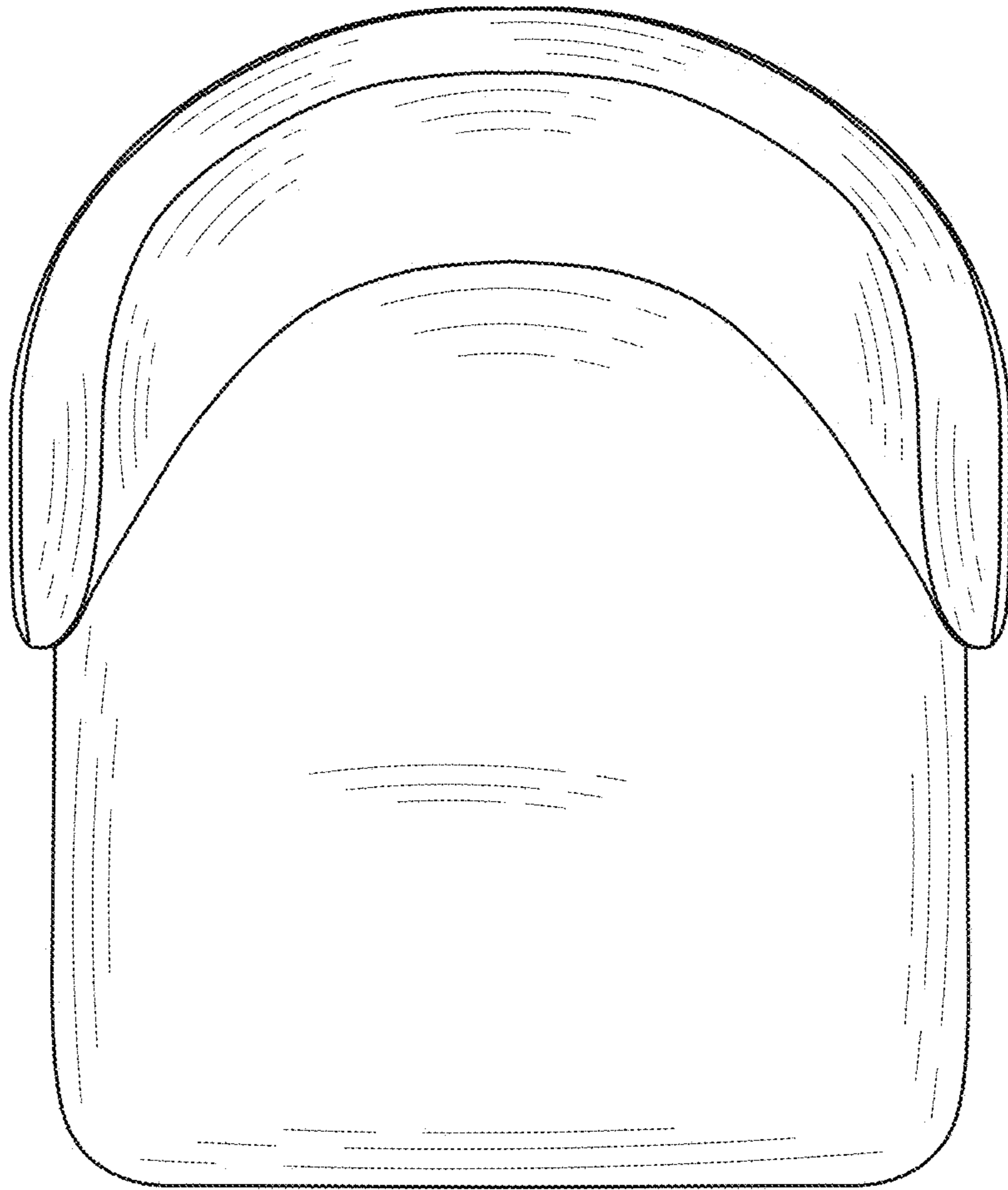


Fig. 6

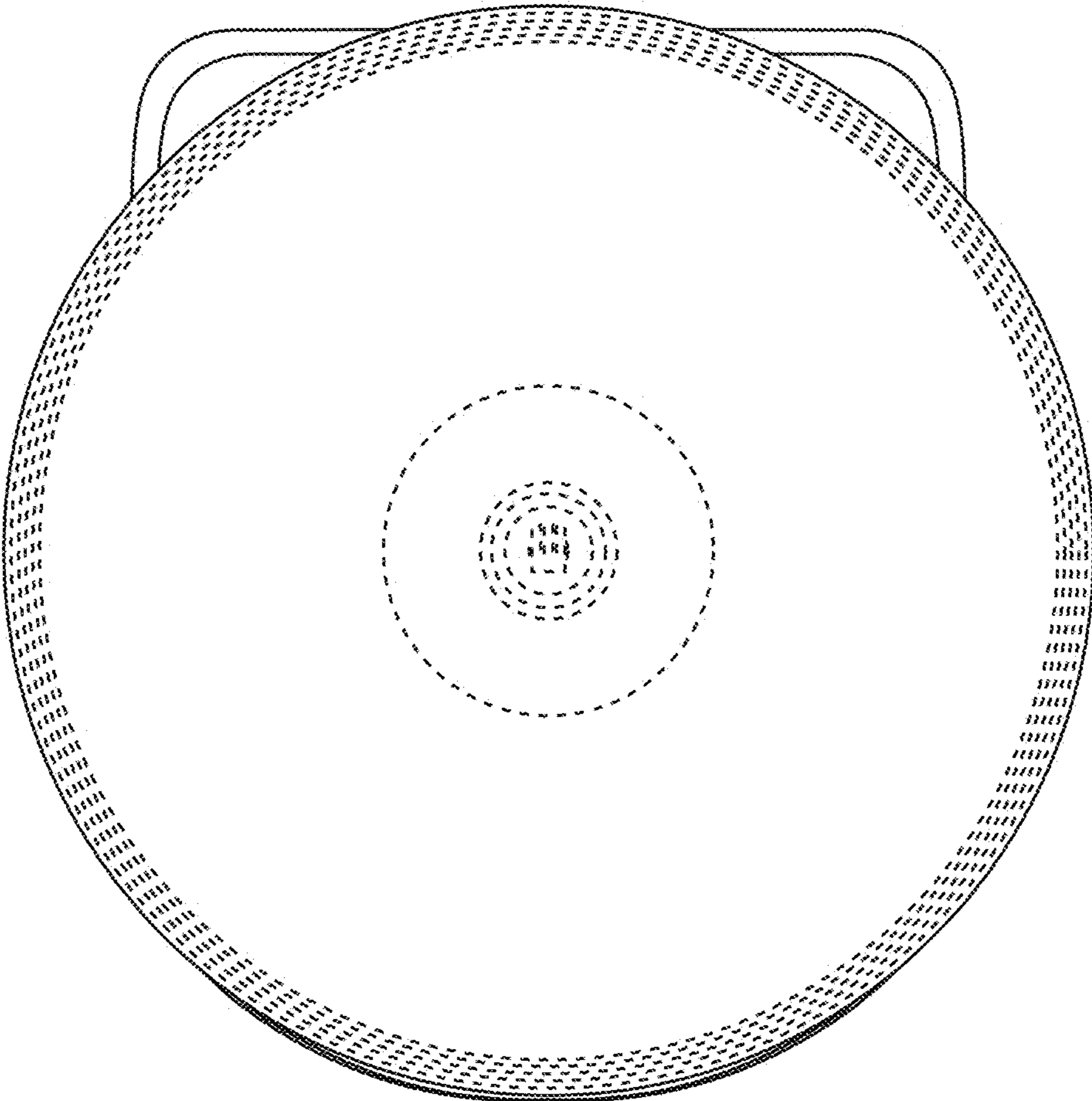


Fig. 7