



US00D905981S

(12) **United States Design Patent**
Fletcher et al.

(10) **Patent No.:** **US D905,981 S**

(45) **Date of Patent:** **** Dec. 29, 2020**

(54) **ACTIVE SEAT WITH STORAGE**
(71) Applicant: **The Prophet Corporation**, Owatonna, MN (US)

3,604,749 A 9/1971 Parmett et al.
D228,095 S 8/1973 Schmitt
3,751,845 A 8/1973 van Leeuwen
(Continued)

(72) Inventors: **Laura Ann Fletcher**, Owatonna, MN (US); **Ryan William Rasell**, Apple Valley, MN (US)

FOREIGN PATENT DOCUMENTS

JP 8-112155 A 5/1995

(73) Assignee: **The Prophet Corporation**, Owatonna, MN (US)

OTHER PUBLICATIONS

CoreStore Active Stools. [online] Retrieved May 6, 2020 from URL: <https://www.moving-minds.com/classroom/seating/corestore-active-stool>.*

(**) Term: **15 Years**

(Continued)

(21) Appl. No.: **29/693,683**

Primary Examiner — Vy N Koenig

(22) Filed: **Jun. 4, 2019**

(74) *Attorney, Agent, or Firm* — Merchant & Gould P.C.

(51) **LOC (12) Cl.** **06-01**

(57) **CLAIM**

(52) **U.S. Cl.**
USPC **D6/352**

The ornamental design for an active seat with storage, as shown and described.

(58) **Field of Classification Search**
USPC D6/334–338, 340–343, 349–353, 355, D6/364–365, 691–691.9, 692–692.6, D6/716–716.1; D25/65
CPC A47B 7/00–02; A47C 11/00; A47C 12/00; A47C 13/00; A47C 16/00; A47C 16/02–04; A47C 9/00–105; A47K 17/02; A47K 17/028

DESCRIPTION

See application file for complete search history.

FIG. 1 is a top perspective view of an active seat with storage according to the present invention; FIG. 2 is a bottom perspective view of the active seat with storage of FIG. 1; FIG. 3 is a first side elevational view of the active seat with storage of FIG. 1; FIG. 4 is a second side elevational view of the active seat with storage of FIG. 1; FIG. 5 is a front elevational view of the active seat with storage of FIG. 1; FIG. 6 is a rear elevational view of the active seat with storage of FIG. 1; FIG. 7 is a top plan view of the active seat with storage of FIG. 1; and, FIG. 8 is a bottom plan view of the active seat with storage of FIG. 1.

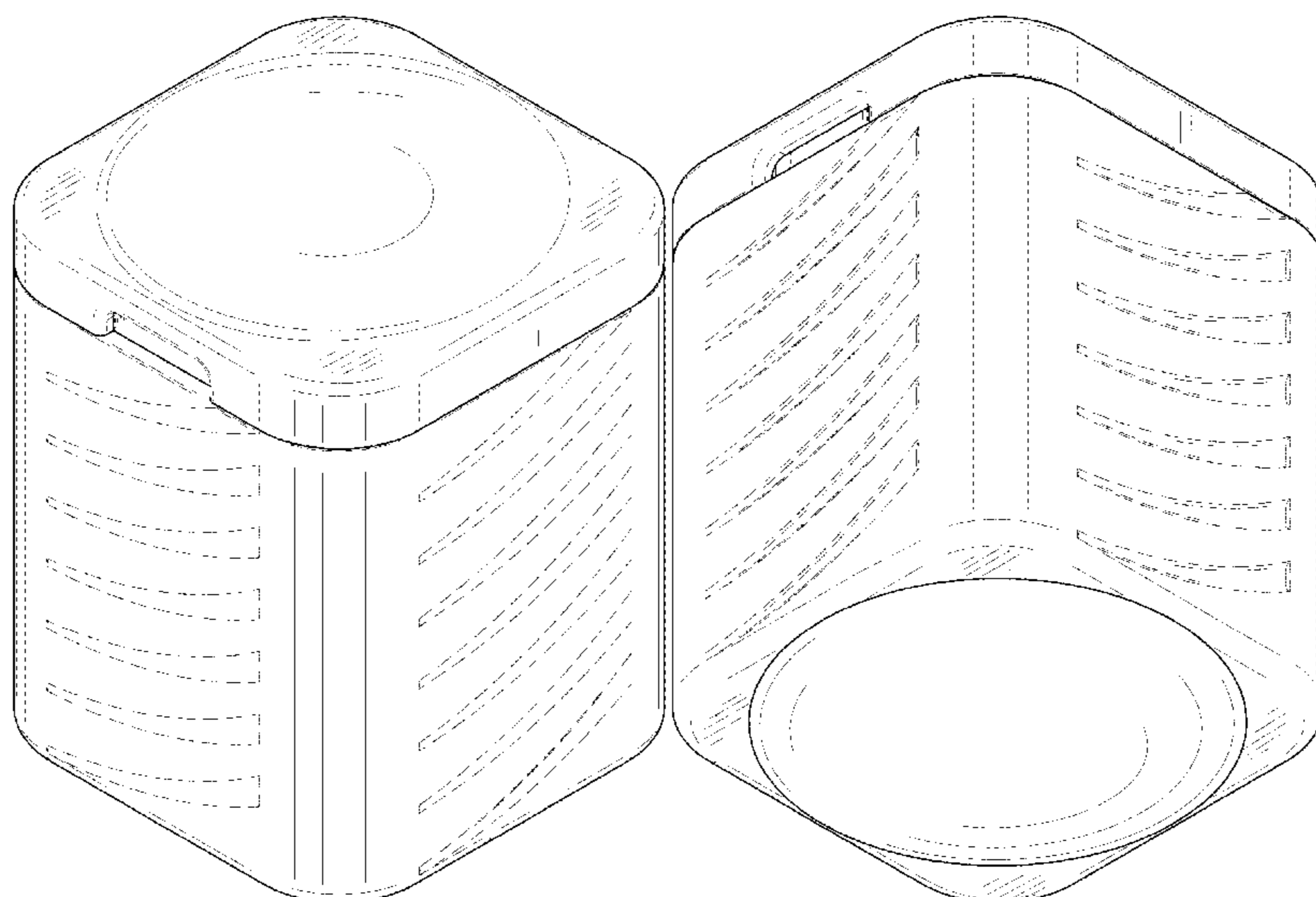
The broken lines in the drawings illustrate portions of the active seat with storage that form no part of the claim.

(56) **References Cited**

U.S. PATENT DOCUMENTS

254,867 A * 3/1882 Graham et al. F24F 13/06 454/290
2,049,539 A 8/1936 Greenwood
2,552,693 A 5/1951 Smith
2,623,633 A 12/1952 Bladow
2,742,953 A 4/1956 Kudrna
D198,679 S 7/1964 Cartner
3,312,437 A 4/1967 Barth
3,563,605 A 2/1971 Pinkas

1 Claim, 8 Drawing Sheets



(56)

References Cited

U.S. PATENT DOCUMENTS

D232,499 S 8/1974 Martinelli
 D232,504 S 8/1974 Archinal
 D234,933 S 4/1975 Burke
 4,084,273 A 4/1978 Haynes
 4,232,901 A 11/1980 Harrington et al.
 4,845,881 A 7/1989 Ward
 5,112,103 A 5/1992 Downer
 5,226,865 A 7/1993 Chin
 D351,508 S * 10/1994 Bonazza D6/336
 D498,067 S 11/2004 Van Dyke
 7,341,314 B1 3/2008 Boyd
 D586,574 S 2/2009 Gomree
 D625,931 S 10/2010 Estrup
 D647,313 S 10/2011 Chen
 D650,184 S 12/2011 Hsu
 D671,757 S 12/2012 Walker et al.
 D677,076 S * 3/2013 Olson D6/675
 8,764,116 B2 7/2014 Weber et al.
 9,010,867 B2 4/2015 Martin et al.
 D728,951 S 5/2015 Yoshida
 D734,044 S * 7/2015 Tilki D6/336
 9,078,526 B1 7/2015 Kammeyer
 9,138,058 B2 9/2015 Koolhaas et al.
 9,167,899 B2 10/2015 Jackson
 9,226,586 B1 * 1/2016 Reid A47C 7/748
 D764,198 S * 8/2016 Yoshida D6/352
 D767,290 S 9/2016 Walser
 D771,963 S * 11/2016 Patel D6/352
 9,567,135 B1 2/2017 Spadaccini
 D791,523 S 7/2017 Bernard
 D800,463 S * 10/2017 Kim D6/351
 D801,712 S * 11/2017 Neil D6/349
 D805,311 S * 12/2017 Mandon D6/349
 D809,309 S 2/2018 Theesfeld

D809,310 S 2/2018 Mathur et al.
 D809,809 S 2/2018 Theesfeld et al.
 D810,452 S * 2/2018 Gu D6/352
 D812,919 S 3/2018 Kim
 9,974,391 B2 5/2018 Wan
 10,034,549 B1 * 7/2018 Basques A47C 16/02
 D830,710 S 10/2018 Harguth et al.
 10,258,160 B2 4/2019 Risdall et al.
 10,390,629 B2 8/2019 Phillips et al.
 D862,915 S * 10/2019 Cao D6/349
 D865,385 S * 11/2019 Cao D6/349
 D869,868 S * 12/2019 Zhang D6/349
 10,517,399 B2 12/2019 Harguth et al.
 2008/0265631 A1 10/2008 Quicoy
 2010/0066139 A1 3/2010 Woodring
 2010/0244501 A1 9/2010 Chiang
 2019/0098998 A1 4/2019 Harguth et al.
 2020/0022499 A1 1/2020 Davidson

OTHER PUBLICATIONS

Plastic Round Stools, Retrieved May 2, 2018 from URL: <<http://www.umaplastics.com/plastic-round-stools.html>>, 5 pages.
 Play with a Purpose Catalog; Spring 2017; © 2017 Gopher Sport; 4 pages.
 Thick plastic small round stools, home adult children bathroom stool, changing his shoes stool, Retrieved May 2, 2018 from URL: <<https://www.aliexpress.com/item/Thick-plastic-small-round-stools-home-adult-children-bathroom-stool-changing-his-shoes-stool/32507580751.html>>, 17 pages.
 TiltED Active Seats, Retrieved May 2, 2018 from URL: https://www.gophersport.com/pe/active-classroom/tilted-active-seats?item=25259&pt_source=googleads&pt_medium=cpc&pt_campaign=Shopping_-_E2%80%A6, 2 pages.

* cited by examiner

FIG. 1

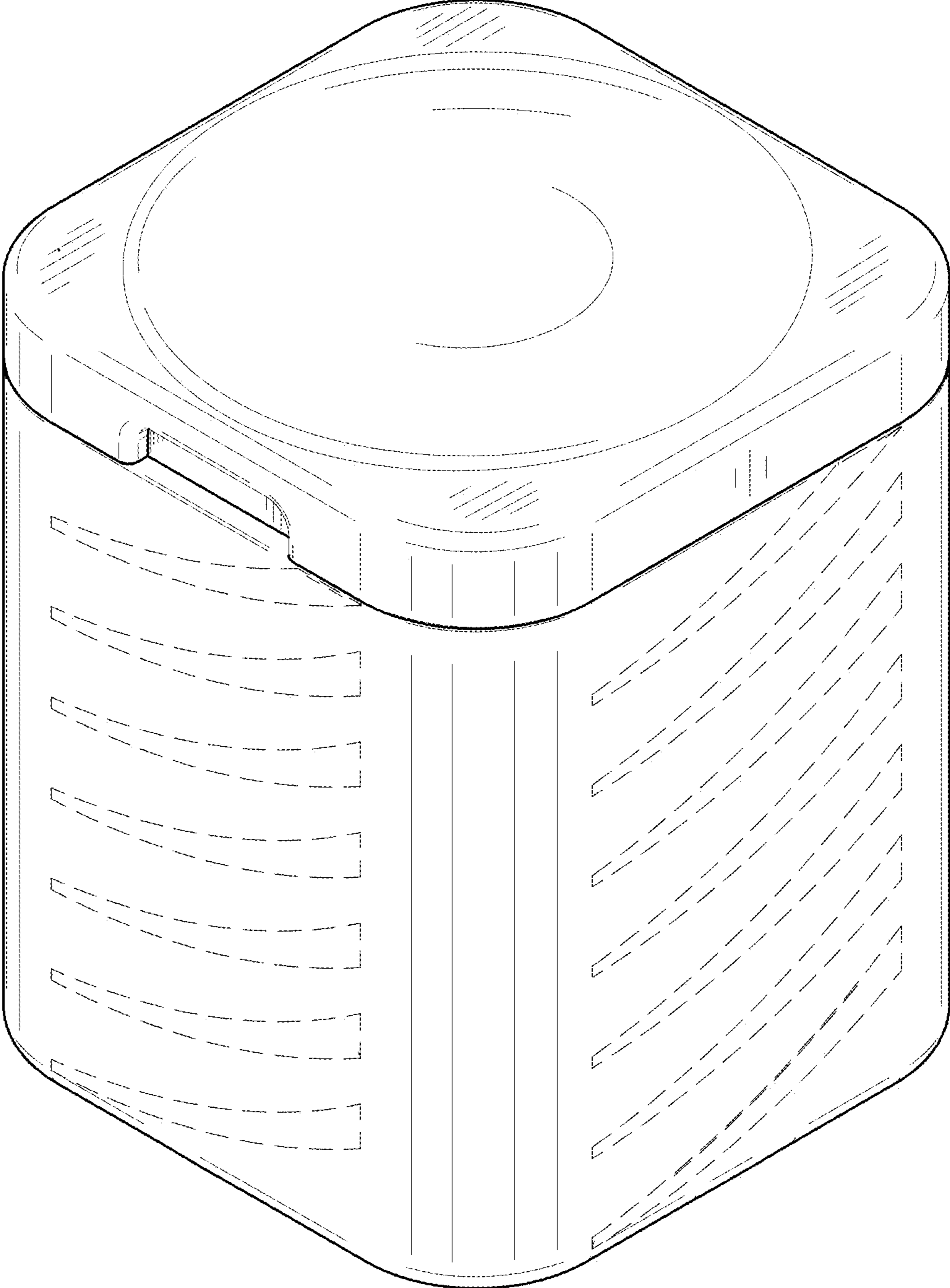


FIG. 2

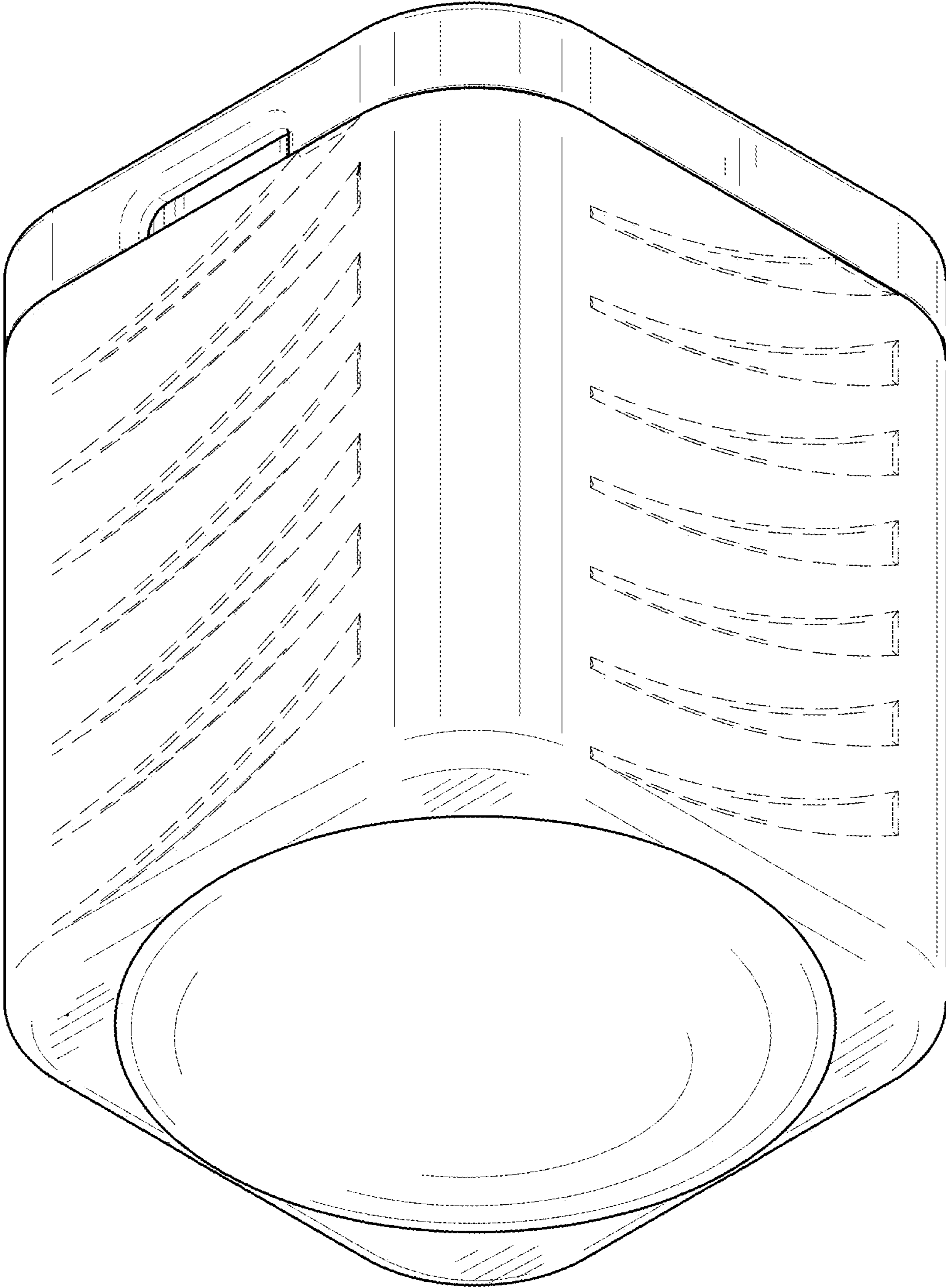


FIG. 3

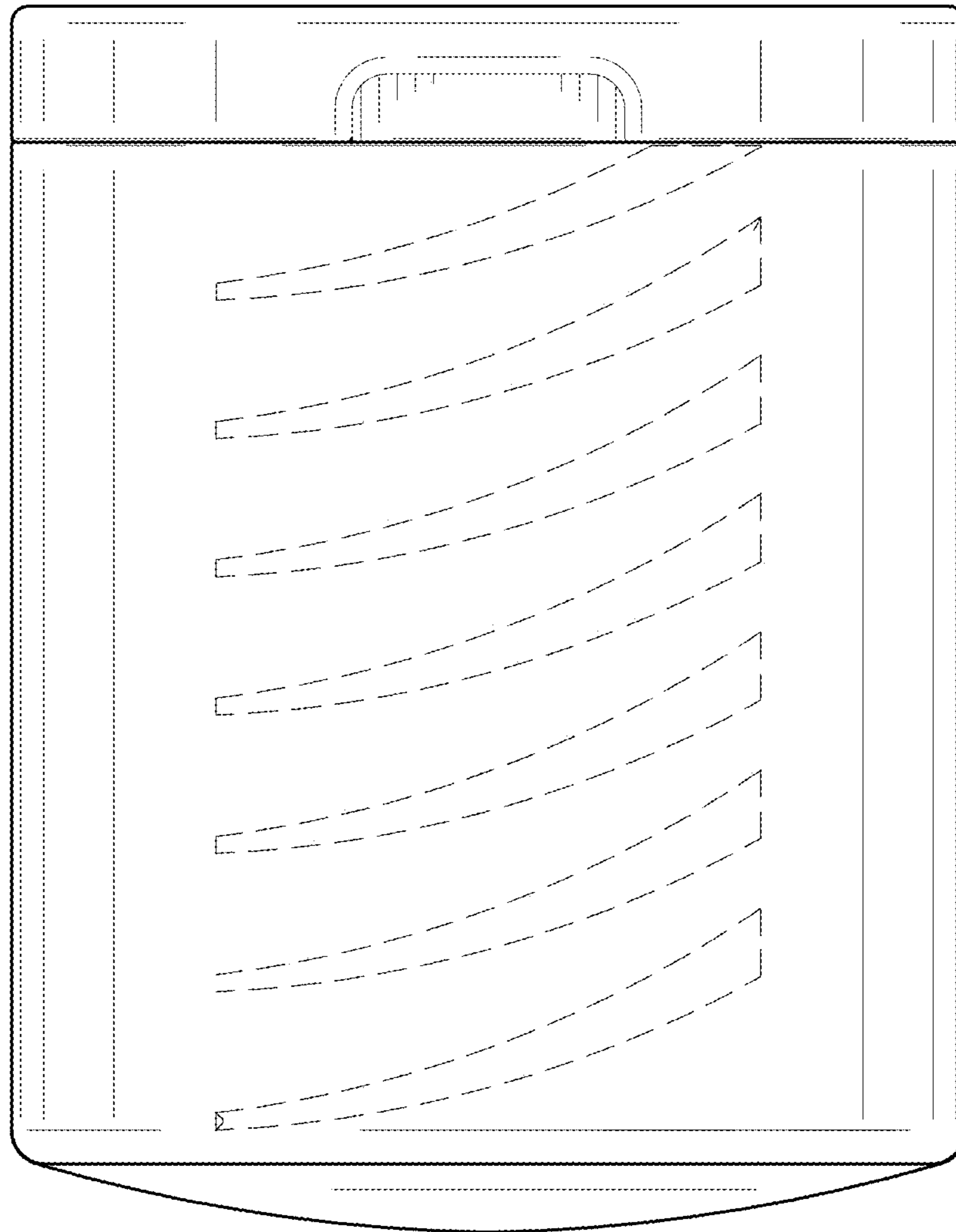


FIG. 4

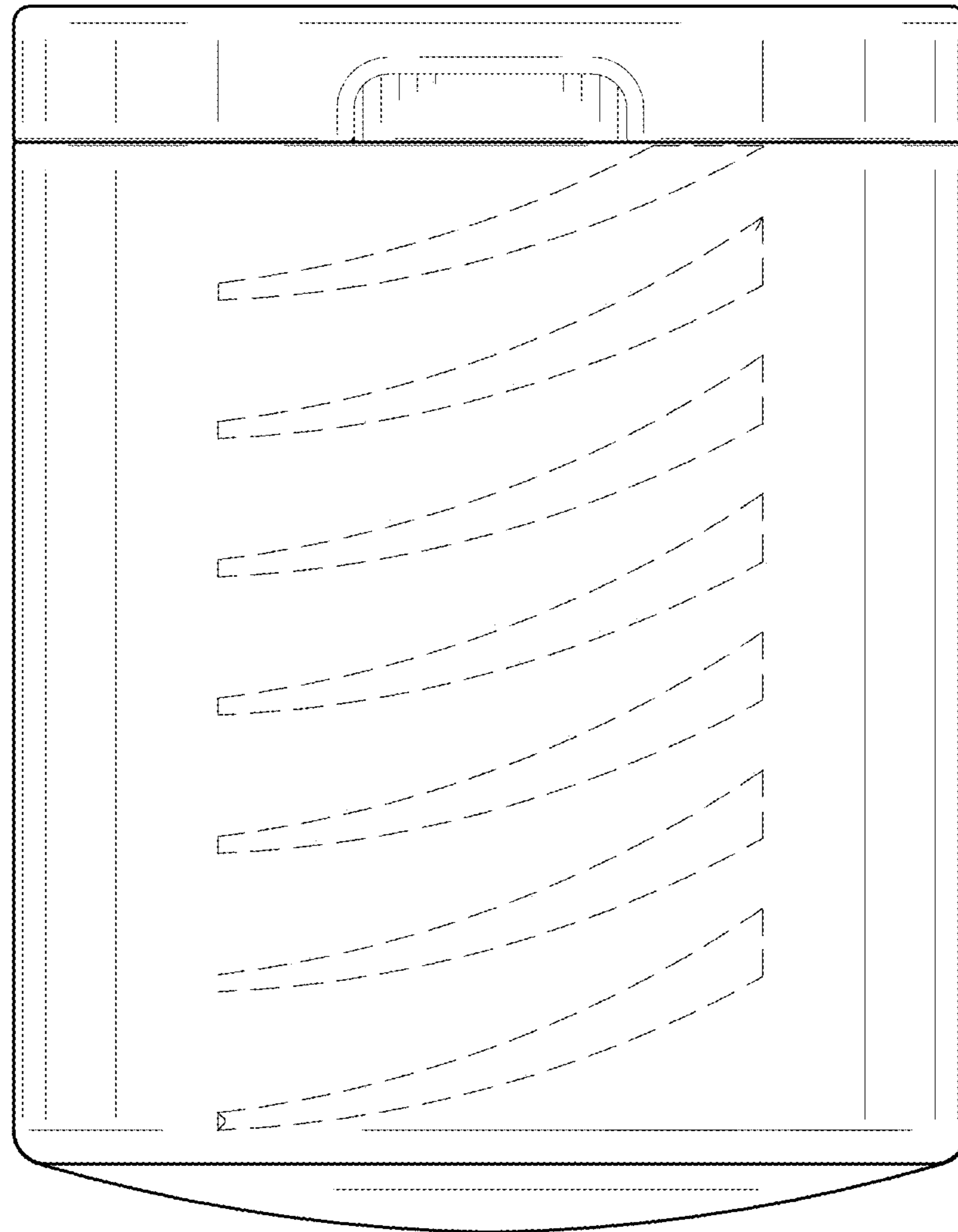


FIG. 5

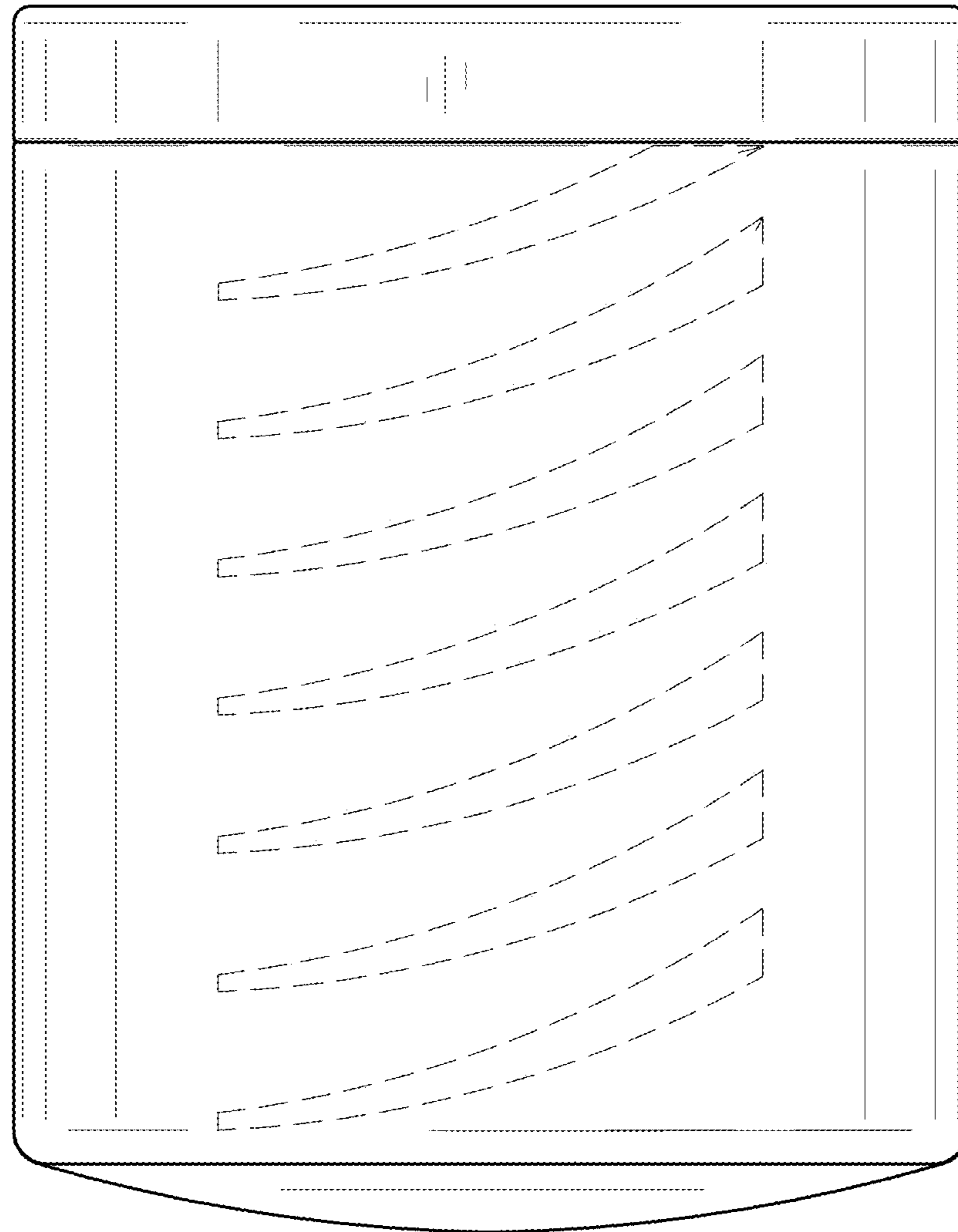


FIG. 6

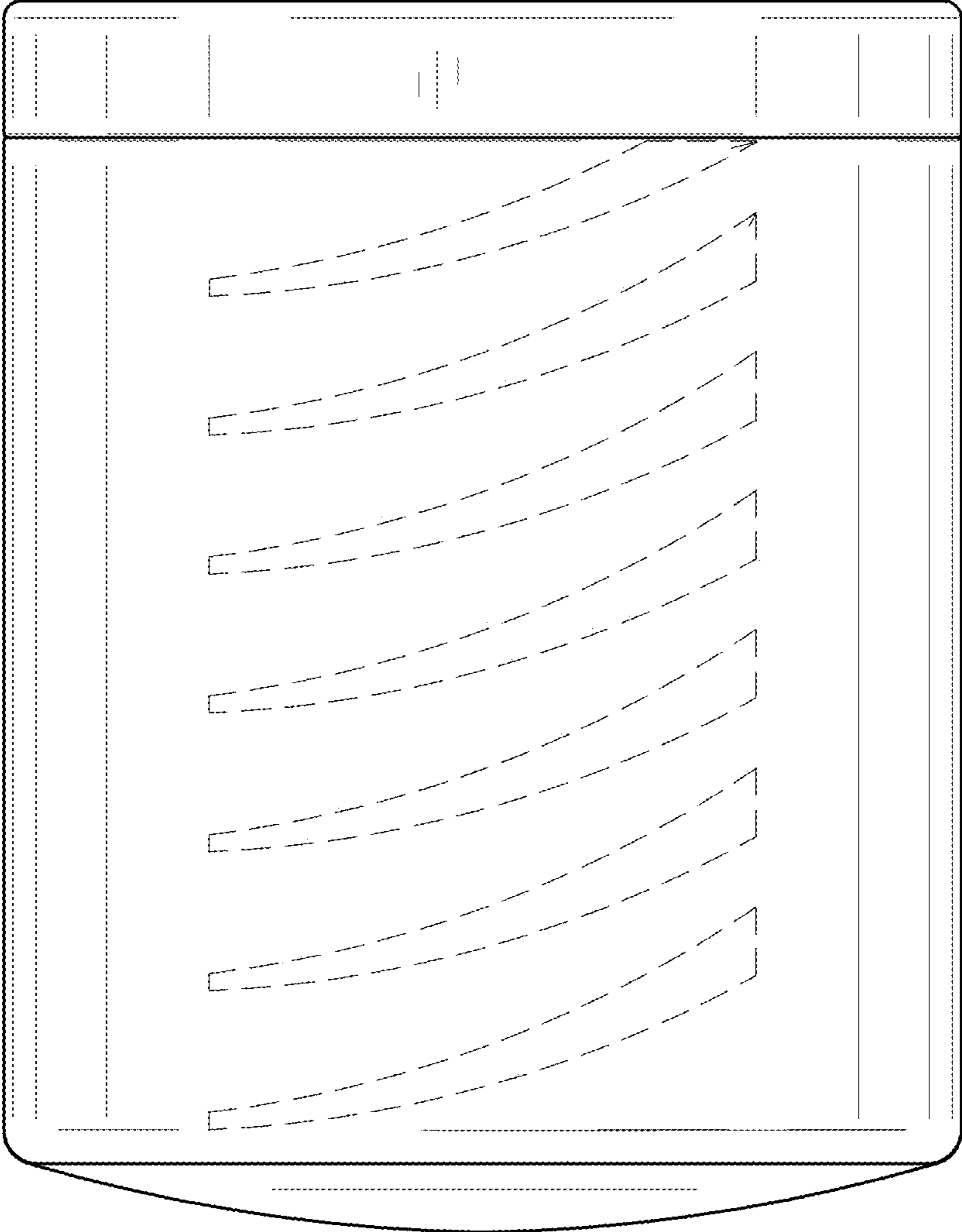


FIG. 7

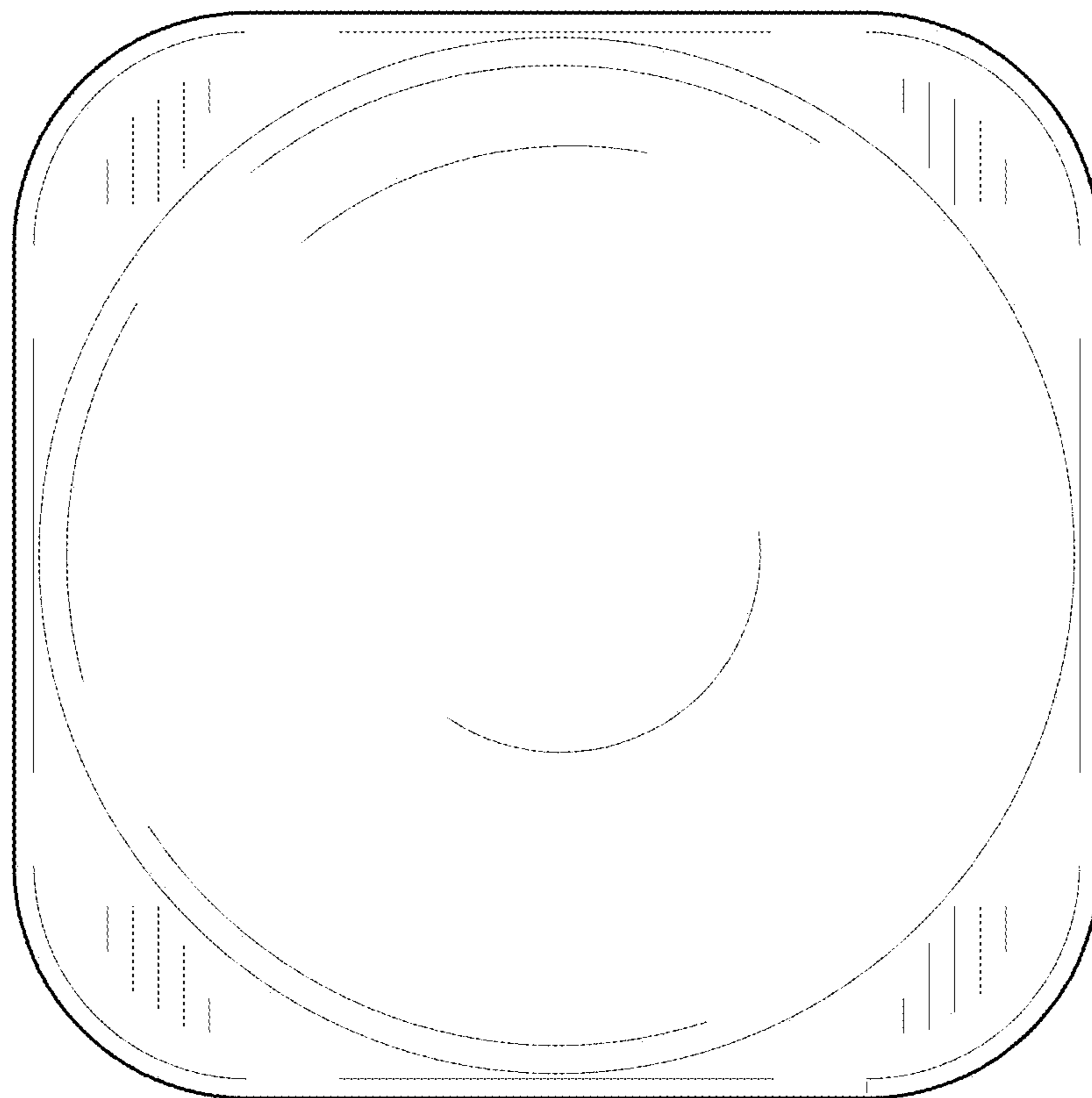


FIG. 8

