



US00D905980S

(12) **United States Design Patent** (10) **Patent No.:** **US D905,980 S**
Sethapun et al. (45) **Date of Patent:** **** Dec. 29, 2020**

(54) **AIRCRAFT DIVAN**
(71) Applicant: **Gulfstream Aerospace Corporation,**
Savannah, GA (US)
(72) Inventors: **Kevin Sethapun,** Savannah, GA (US);
Jeremiah Mallette, Savannah, GA (US)
(73) Assignee: **Gulfstream Aerospace Corporation,**
Savannah, GA (US)

D645,667 S * 9/2011 Alberda D6/334
D686,002 S * 7/2013 Martin D6/334
D702,623 S * 4/2014 Salzberger D12/345
D725,578 S * 3/2015 Salzberger D12/345
D731,192 S * 6/2015 Sorel D6/338
D765,999 S * 9/2016 Goode B64D 11/0644
D6/336
2016/0257408 A1 * 9/2016 Gill B64D 11/0606
2016/0272323 A1 * 9/2016 Carlioz B64D 11/0602
2016/0297529 A1 * 10/2016 Cailleateau B64D 11/0601
2018/0118350 A1 * 5/2018 Davis A47B 83/00
2018/0127099 A1 * 5/2018 Ducreux B64D 11/0644

(**) Term: **15 Years**

(21) Appl. No.: **29/709,696**

(22) Filed: **Oct. 16, 2019**

(51) **LOC (12) Cl.** **06-01**

(52) **U.S. Cl.**
USPC **D6/336; D6/356; D6/381**

(58) **Field of Classification Search**
USPC D6/334-336, 356, 381, 384; D12/345
CPC B64D 2011/0069; B64D 2011/0076; B64D
2011/0084; B64D 11/0601; B64D
11/0602; B64D 11/0604; B60N 2/345
See application file for complete search history.

(56) **References Cited**

U.S. PATENT DOCUMENTS

D93,813 S * 11/1934 Brower D6/336
D166,463 S * 4/1952 Goulart D6/336
D338,349 S * 8/1993 Warnock D6/335
D530,929 S * 10/2006 Resterhouse D6/336
D577,501 S * 9/2008 Fissette D6/356

* cited by examiner

Primary Examiner — Cathron C Brooks

(74) *Attorney, Agent, or Firm* — LKGlobal | Lorenz & Kopf, LLP

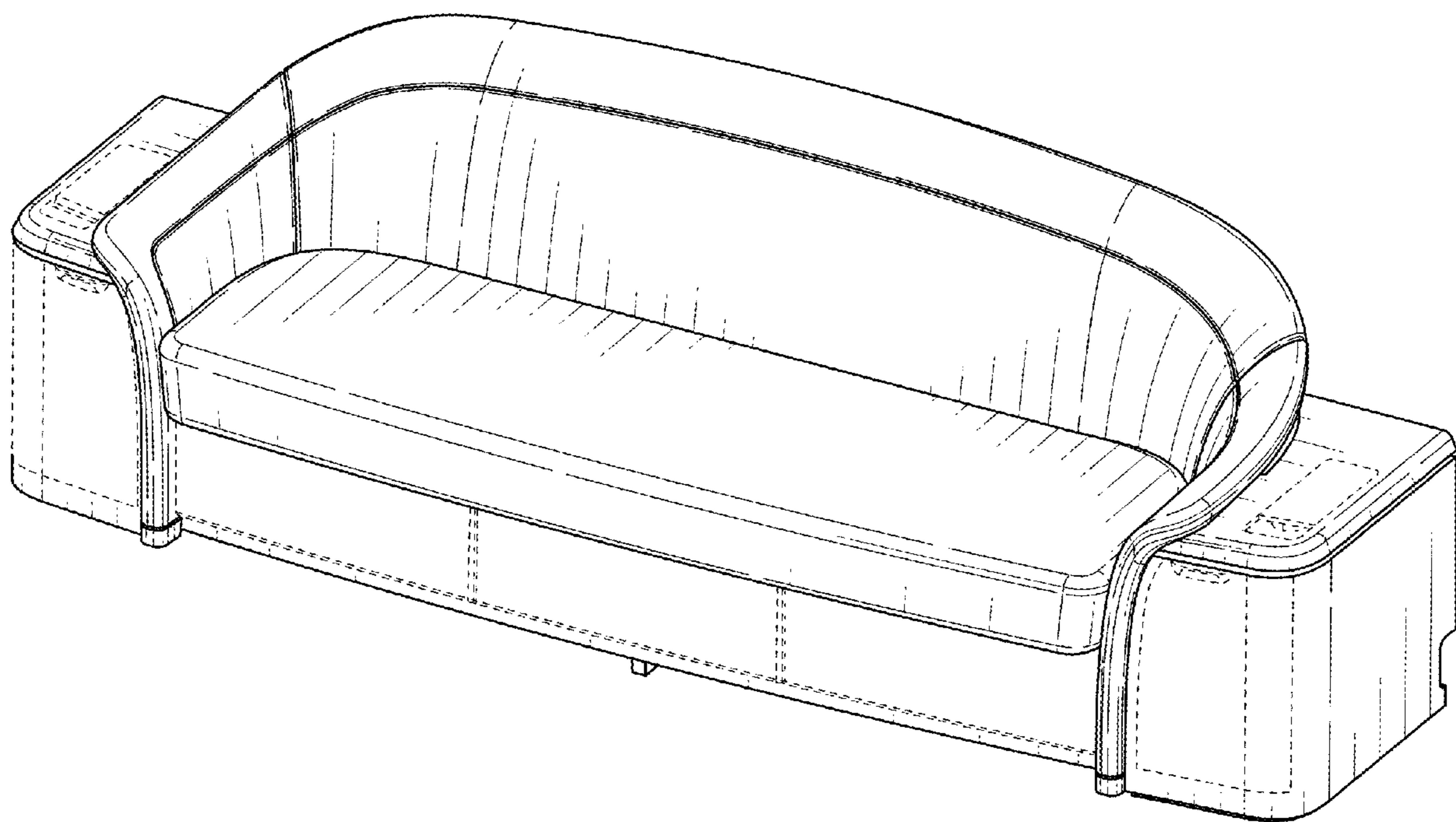
(57) **CLAIM**

The ornamental design for an aircraft divan, as shown and described.

DESCRIPTION

FIG. 1 is an upper front perspective view of the aircraft divan;
FIG. 2 is a front view of the divan shown in FIG. 1;
FIG. 3 is a right-end view of the divan shown in FIG. 1;
FIG. 4 is a left-end view of the divan shown in FIG. 1; and,
FIG. 5 is a top view of the divan shown in FIG. 1.
The broken lines shown in the figures represent portions of the divan that form no part of the claimed design. The bottom view and the back view of the divan form no part of the claimed subject matter and are therefore omitted.

1 Claim, 4 Drawing Sheets



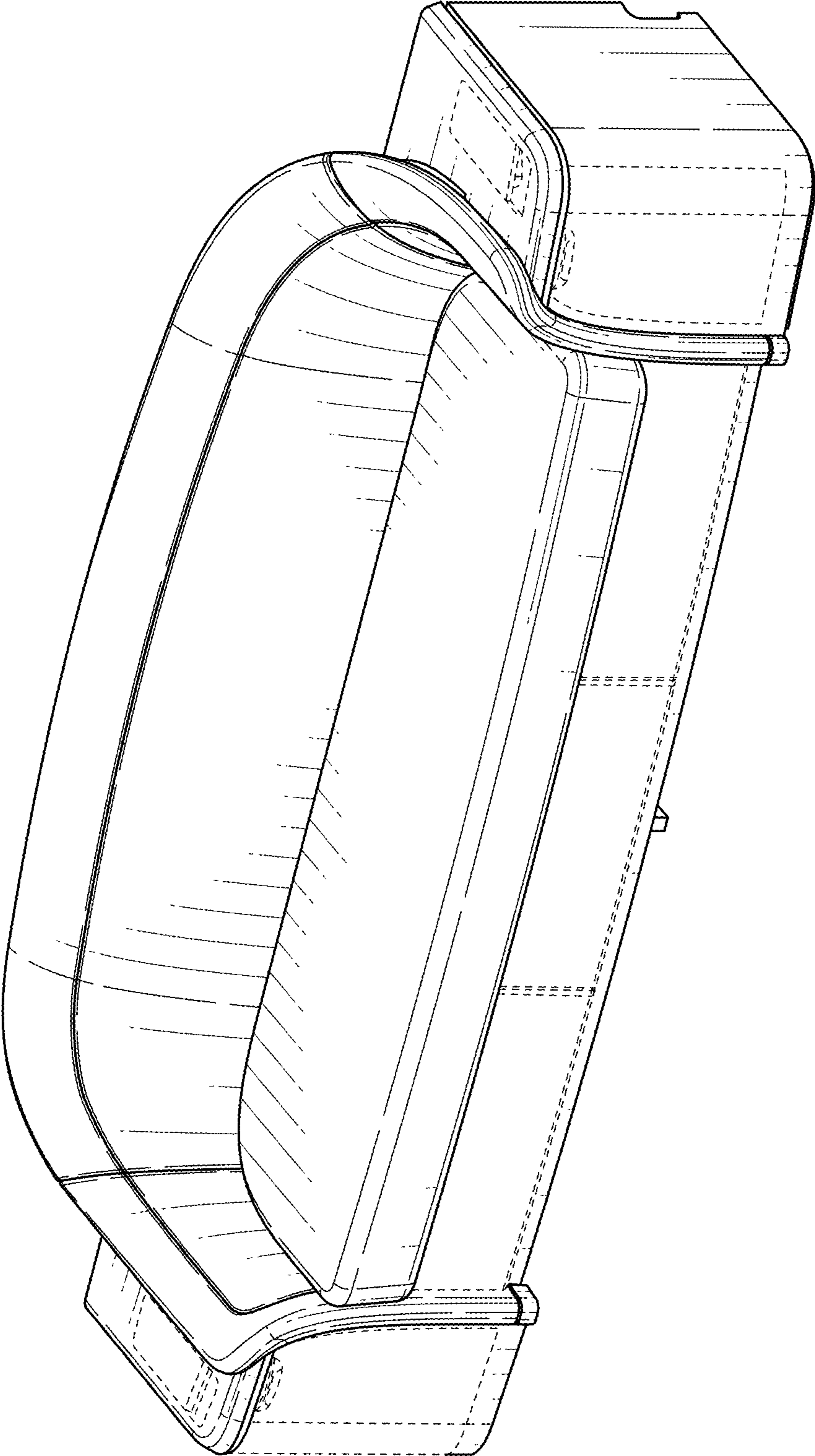


FIG. 1

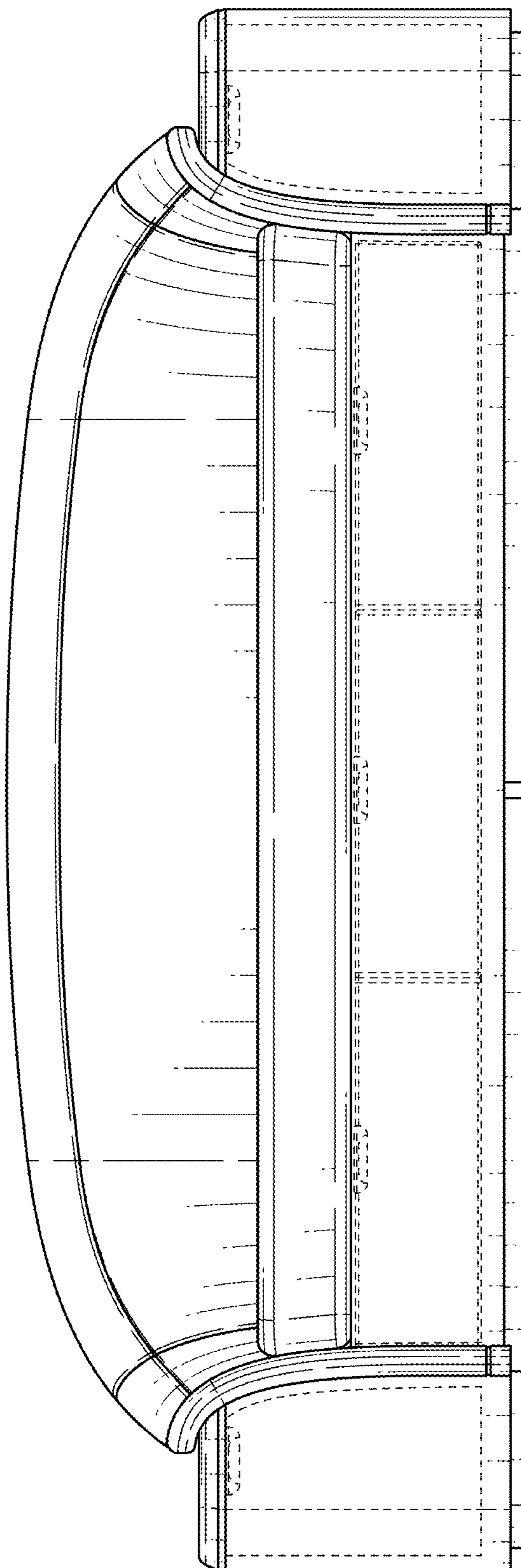


FIG. 2

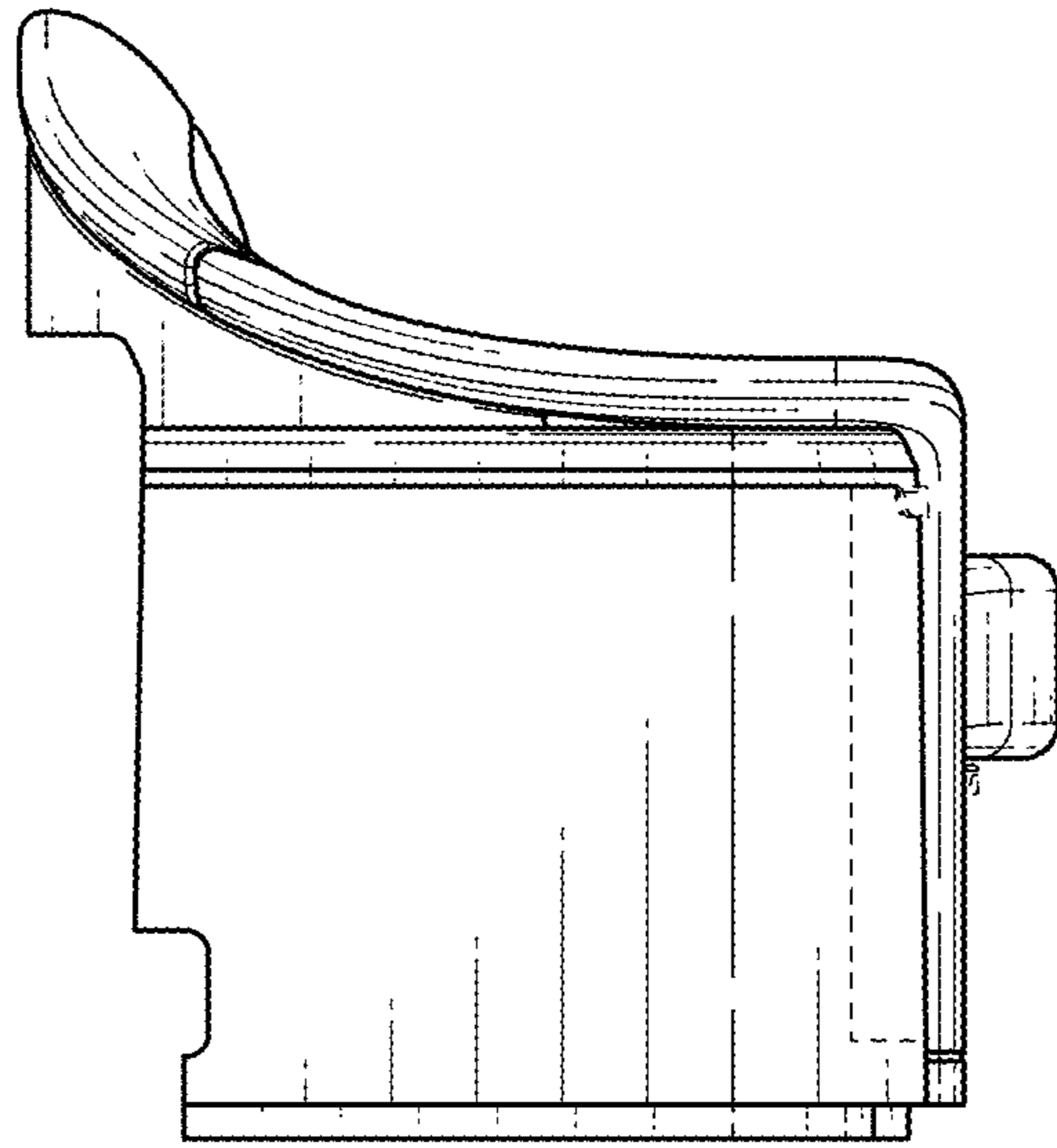


FIG. 3

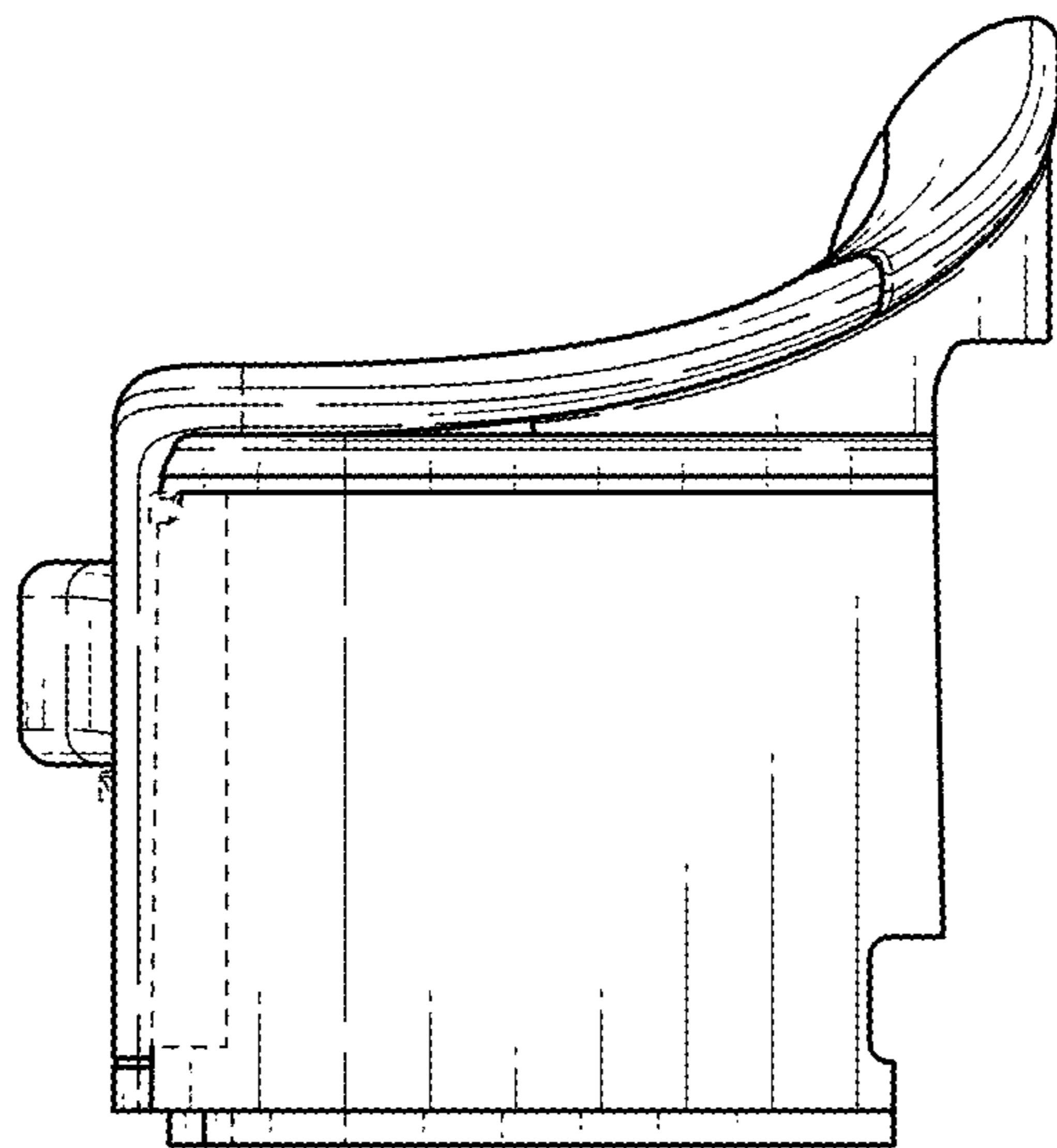


FIG. 4

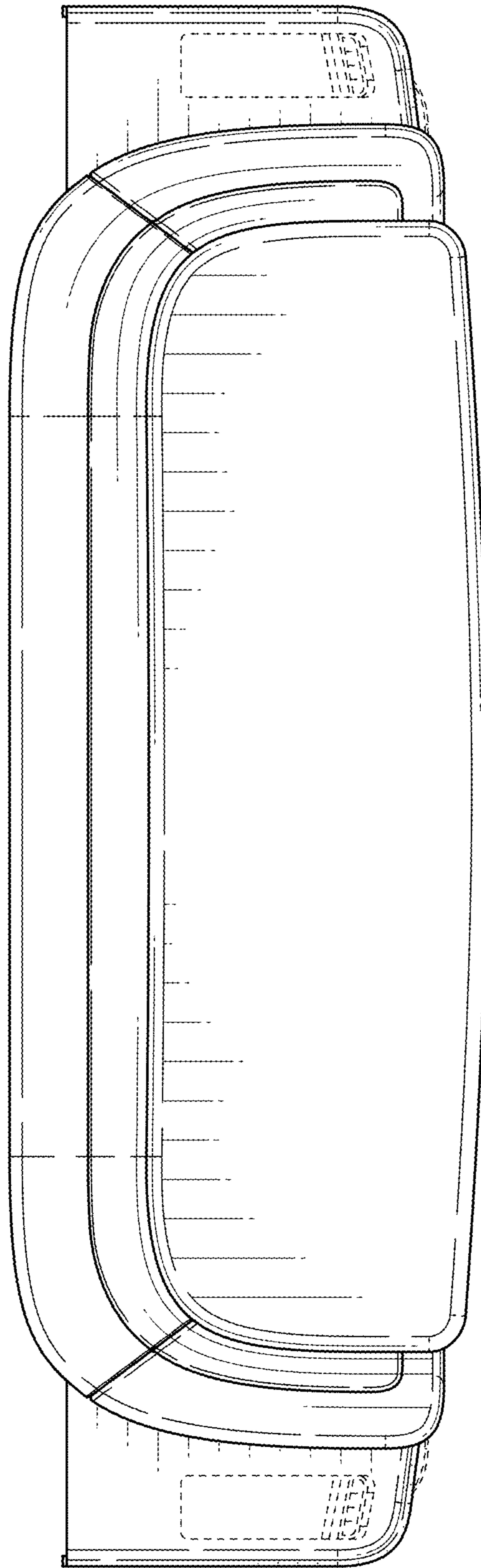


FIG. 5