



US00D905979S

(12) **United States Design Patent**
Reynolds

(10) **Patent No.:** **US D905,979 S**

(45) **Date of Patent:** **** Dec. 29, 2020**

(54) **COMBINED BENCH AND TABLE ASSEMBLY**

(71) Applicant: **La Fantastica LLC**, Brooklyn, NY
(US)

(72) Inventor: **Juan Manuel Mansylla Reynolds**,
New York, NY (US)

(73) Assignee: **La Fantastica LLC**, Brooklyn, NY
(US)

(**) Term: **15 Years**

(21) Appl. No.: **29/655,267**

(22) Filed: **Jul. 2, 2018**

(51) **LOC (12) Cl.** **06-01**

(52) **U.S. Cl.**
USPC **D6/335**

(58) **Field of Classification Search**
USPC D6/334-338, 340-343, 349-353, 355,
D6/365, 691-691.9, 692-692.6,
D6/716-716.1, 717; D25/65
CPC A47B 7/00-02; A47C 11/00; A47C 12/00;
A47C 13/00; A47C 16/00; A47C
16/02-04; A47C 9/00-105; A47K 17/02;
A47K 17/028

See application file for complete search history.

(56) **References Cited**

U.S. PATENT DOCUMENTS

1,721,601	A *	7/1929	McClure	A47C 11/00 297/446.1
3,303,851	A *	2/1967	Grunfeld	E04H 4/108 135/155
D263,360	S *	3/1982	Sroub	D25/56
D296,961	S *	8/1988	Norton	D6/370
D303,877	S *	10/1989	Norton	D6/349
D313,128	S *	12/1990	Serafini	D6/338

D378,137	S *	2/1997	Gregoire	D25/1
D420,812	S *	2/2000	Chipman	D6/335
D503,552	S *	4/2005	Messier	D6/349
D522,775	S *	6/2006	Skalka	D6/716.1
D565,197	S *	3/2008	Tung	D25/56
D613,976	S *	4/2010	Haaf	D6/716.4
D638,233	S *	5/2011	Perunovic	D6/381
D659,415	S *	5/2012	Soto	D6/355
8,720,990	B2 *	5/2014	Boydston	A47B 85/04 297/173
8,894,147	B2 *	11/2014	Micheli	A47C 11/00 297/232
D790,870	S *	7/2017	Cohen	D6/355
D851,954	S *	6/2019	Glaser	D6/381
D854,346	S *	7/2019	Lawrence	A47C 7/02 D6/370

* cited by examiner

Primary Examiner — Vy N Koenig

(74) *Attorney, Agent, or Firm* — Myers Wolin, LLC

(57) **CLAIM**

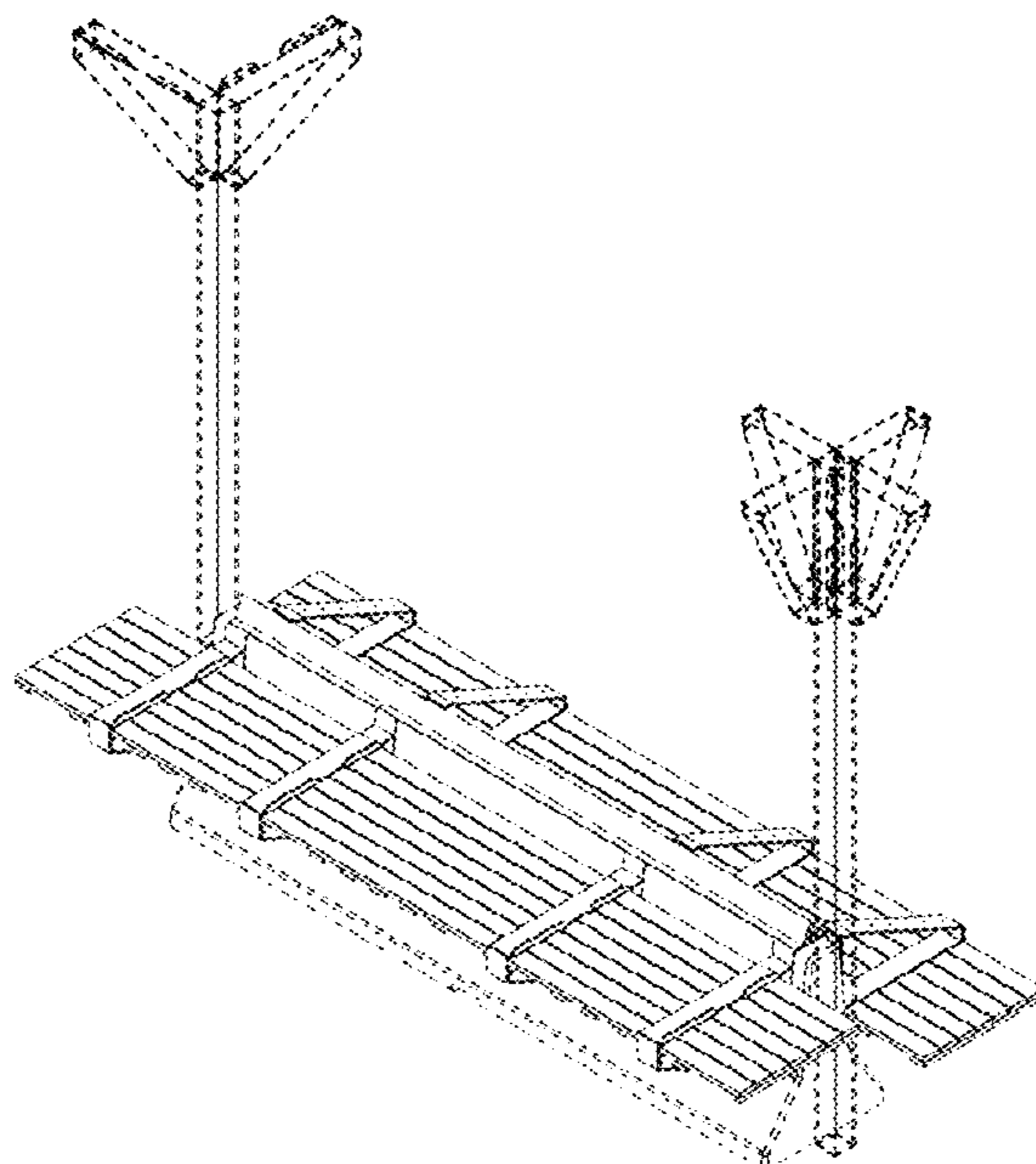
The ornamental design for a combined bench and table assembly, as shown and described.

DESCRIPTION

FIG. 1 is a perspective view of a combined bench and table assembly showing our new design; FIG. 2 is a front elevation view thereof; FIG. 3 is a back elevation view thereof; FIG. 4 is a left side elevation view thereof; FIG. 5 is a right side elevation view thereof; FIG. 6 is a top plan view thereof; and, FIG. 7 is a perspective view showing the design in a different context.

The broken lines are for showing environment or for showing unclaimed elements only and form no part of the claimed design.

1 Claim, 6 Drawing Sheets



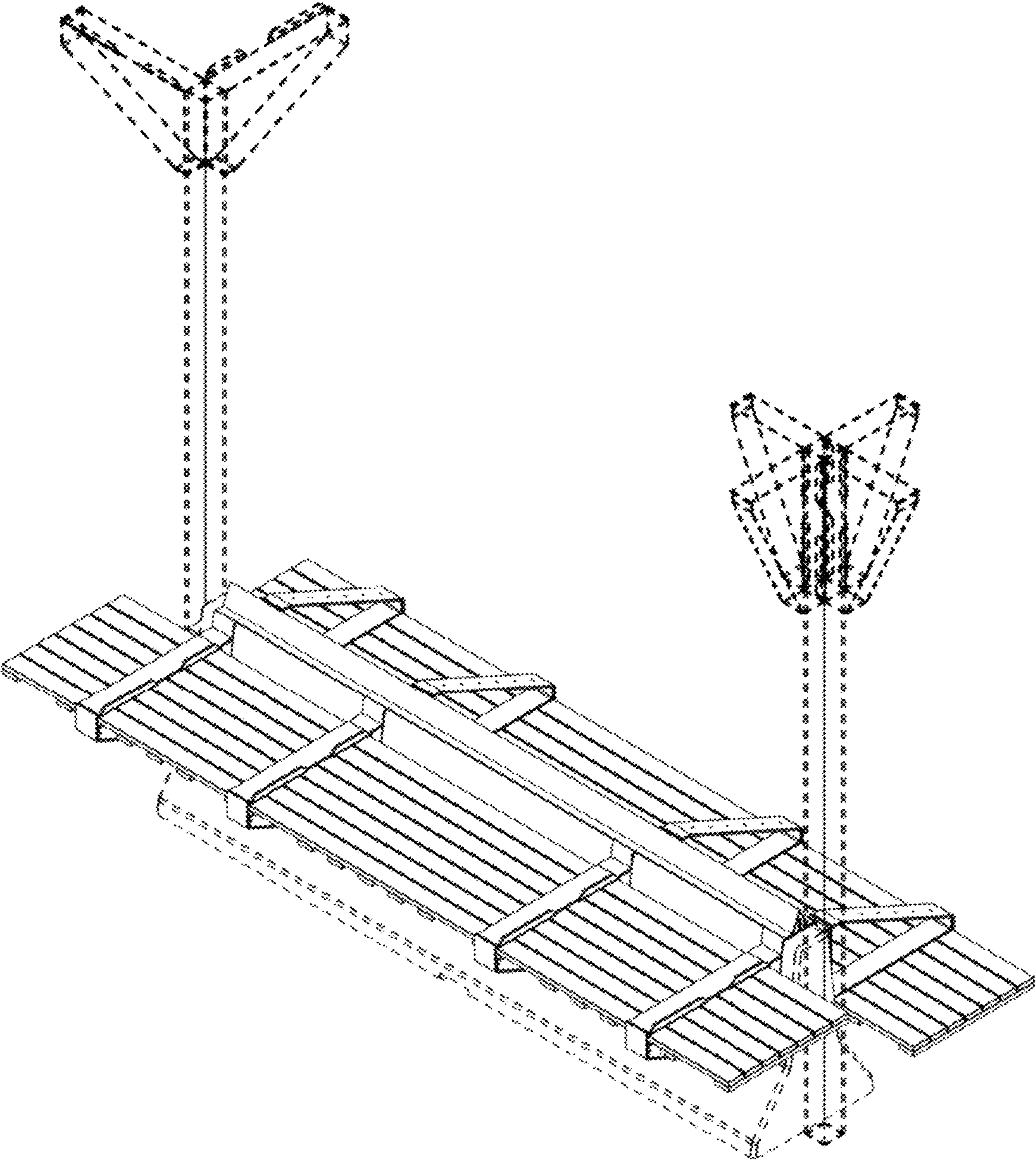


FIG. 1

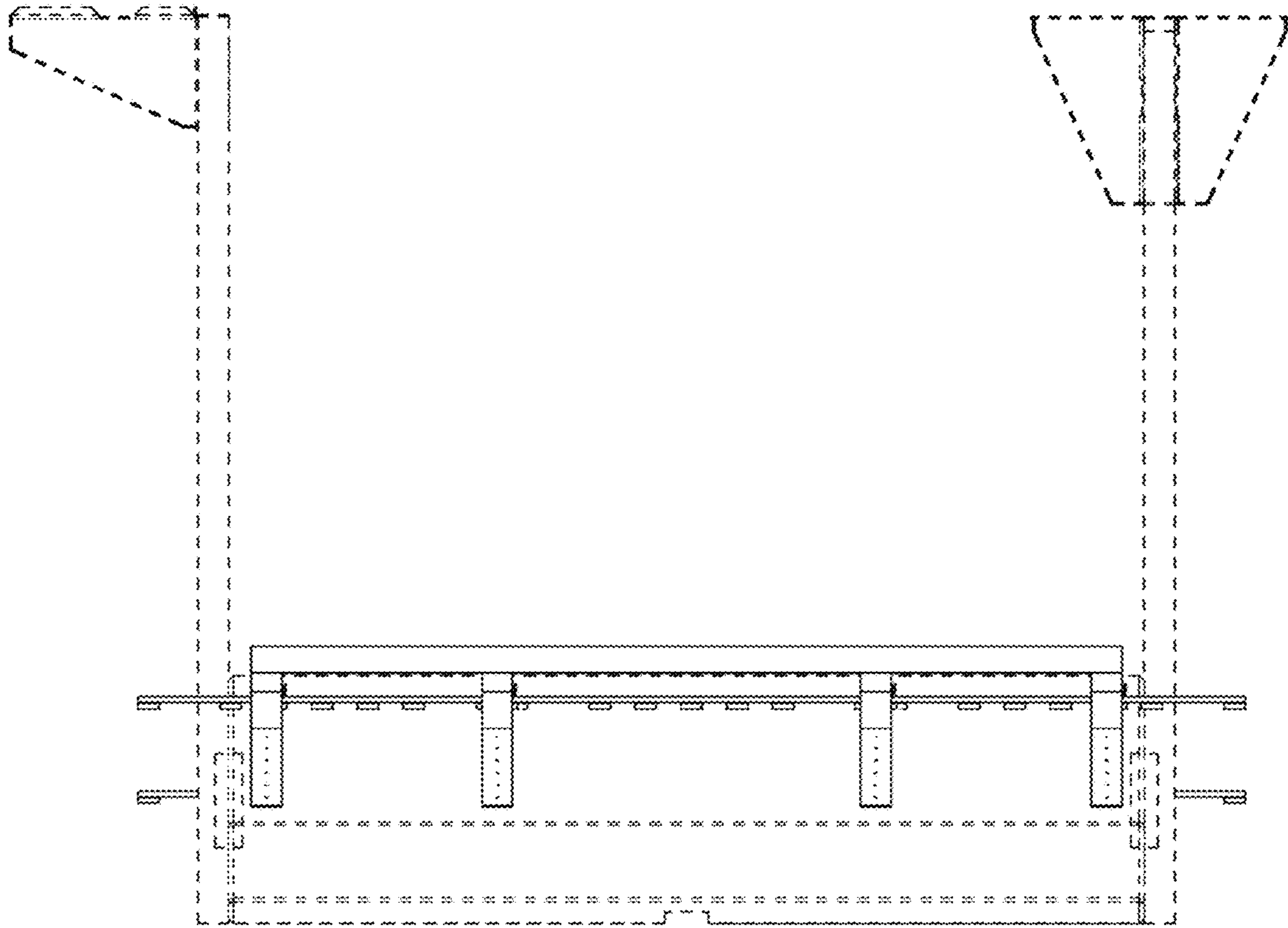


FIG. 2

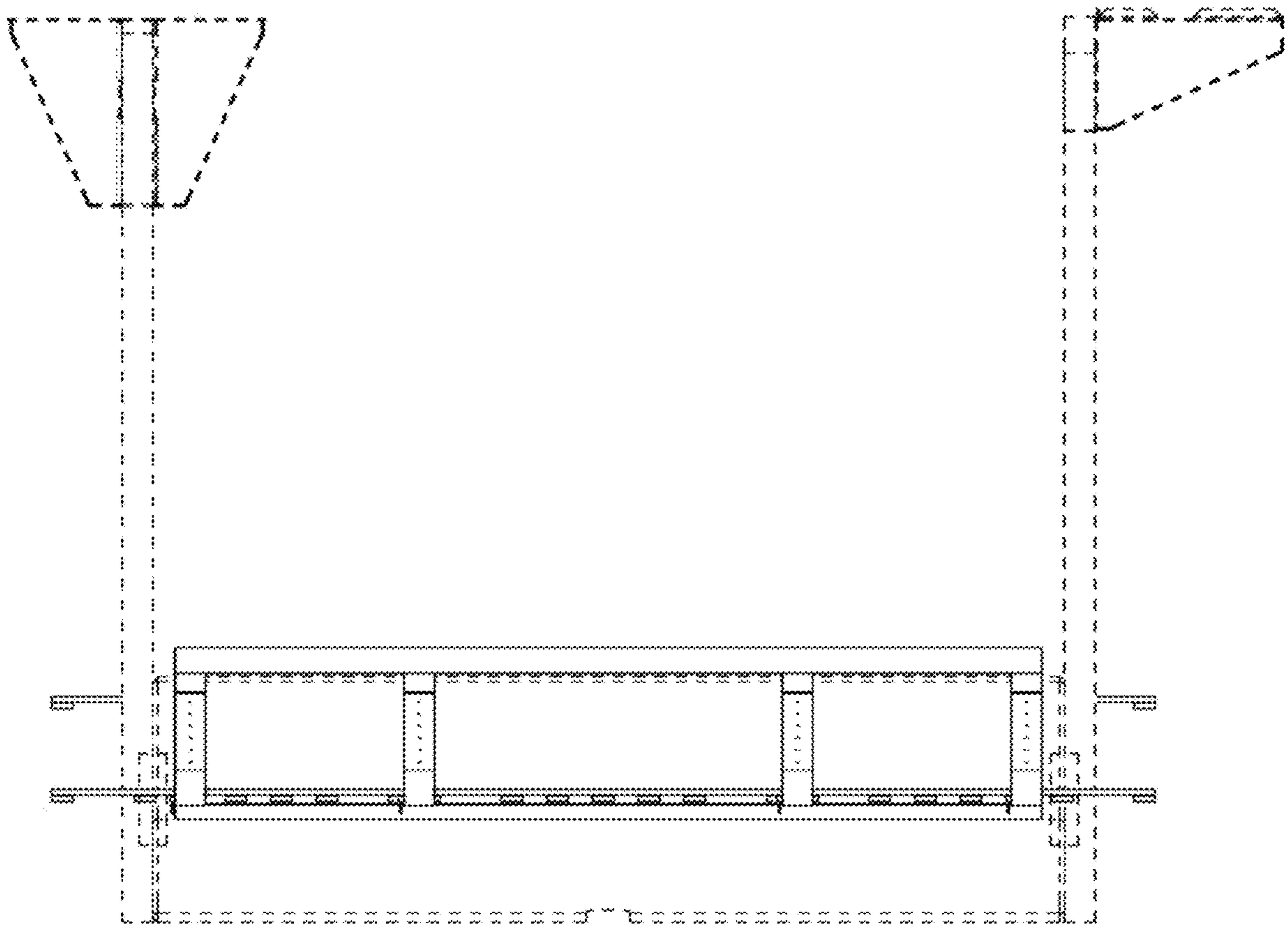


FIG. 3

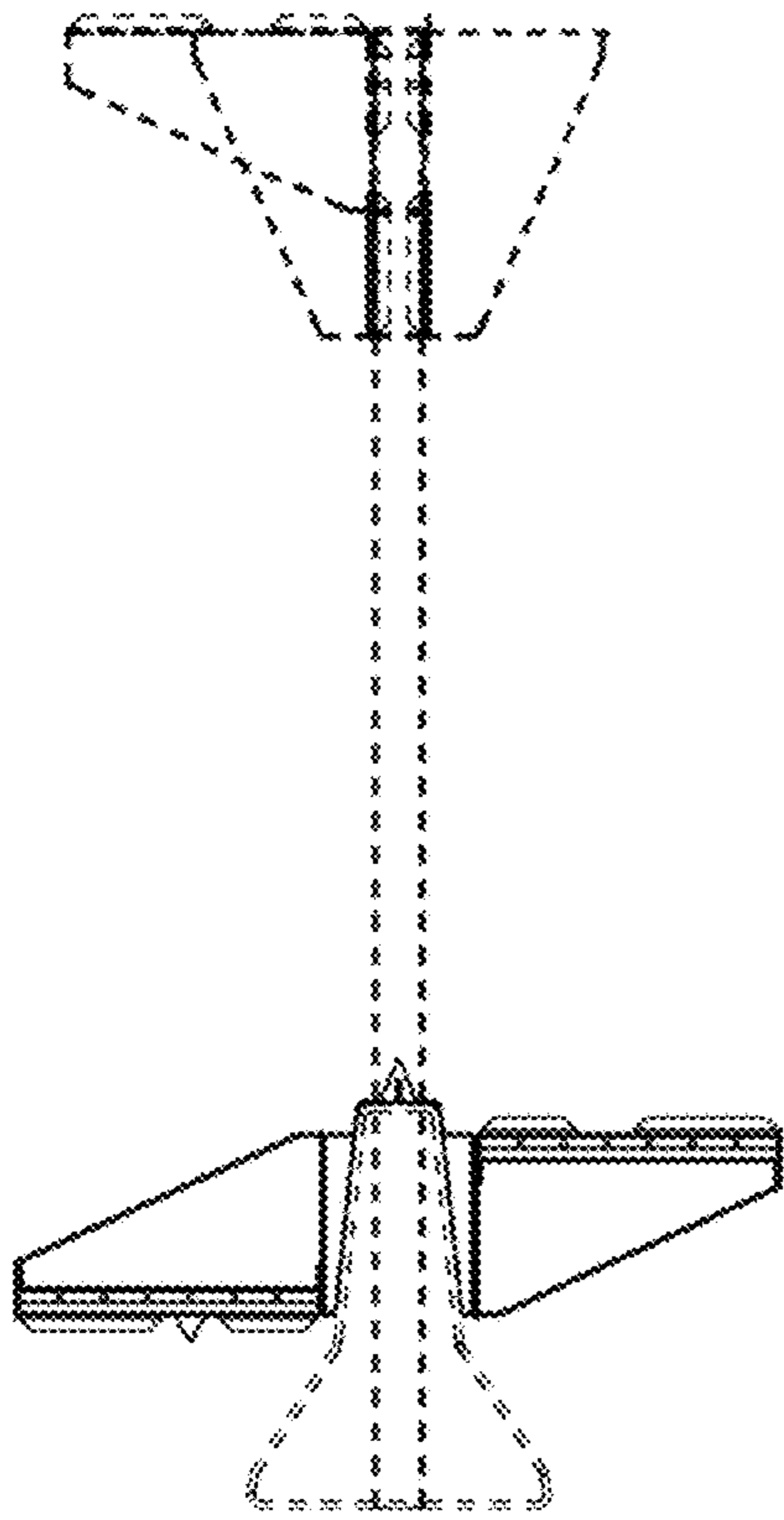


FIG. 4

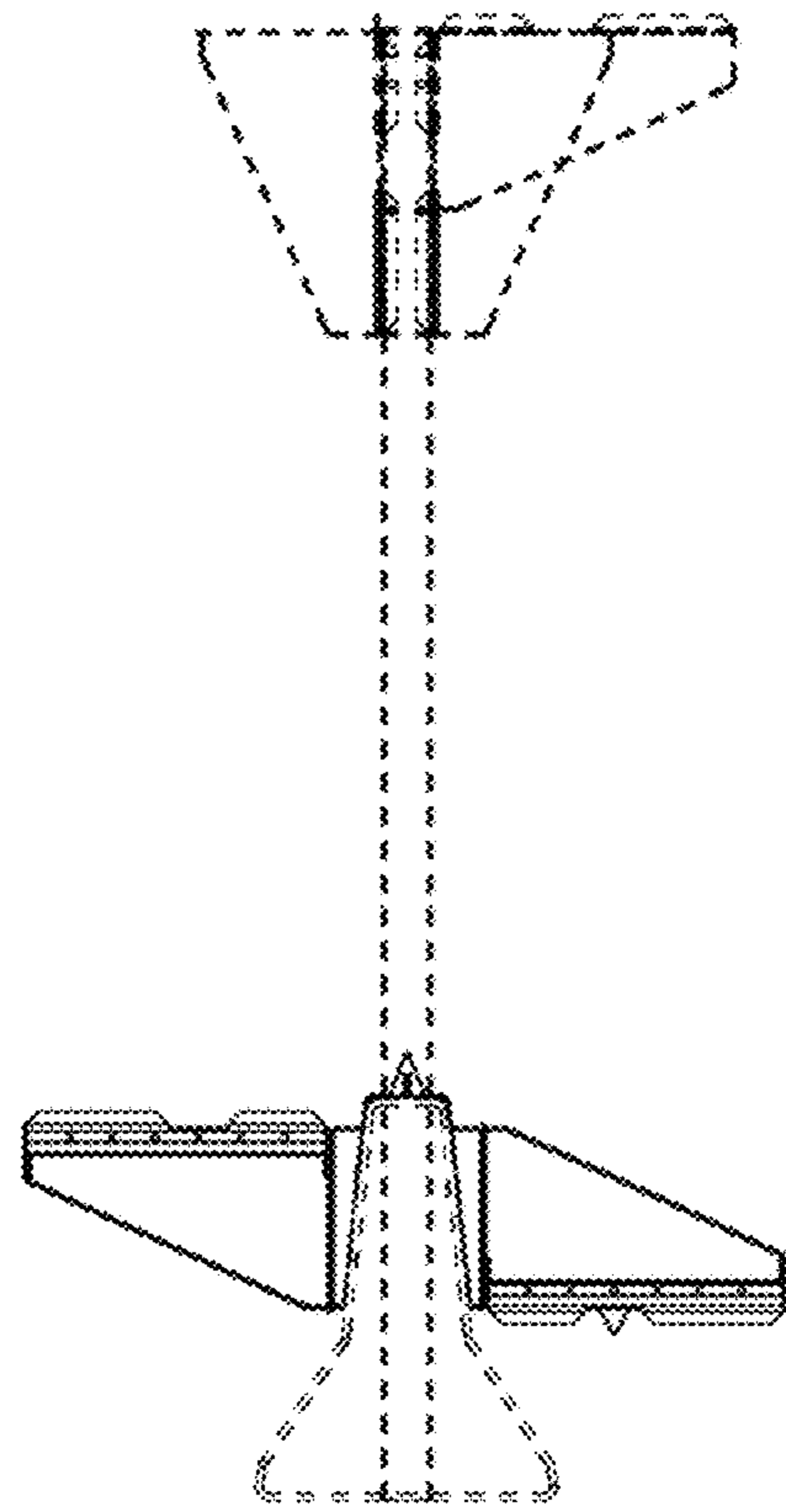


FIG. 5

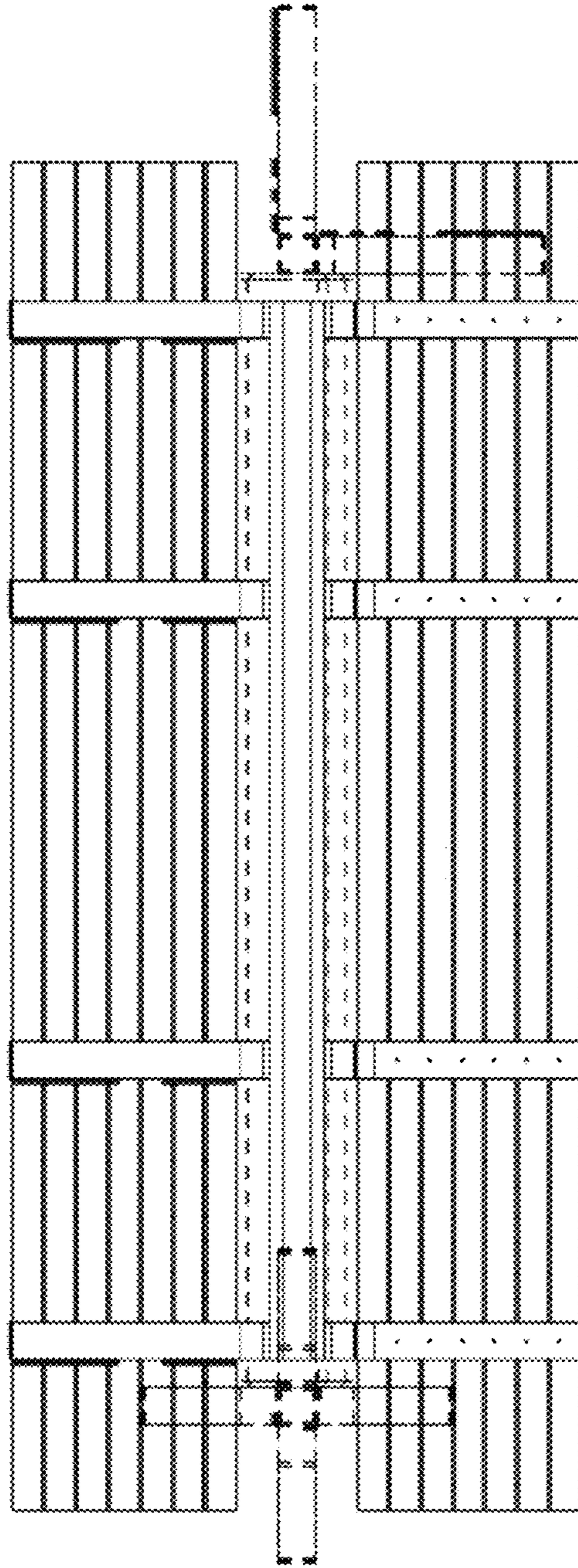


FIG. 6

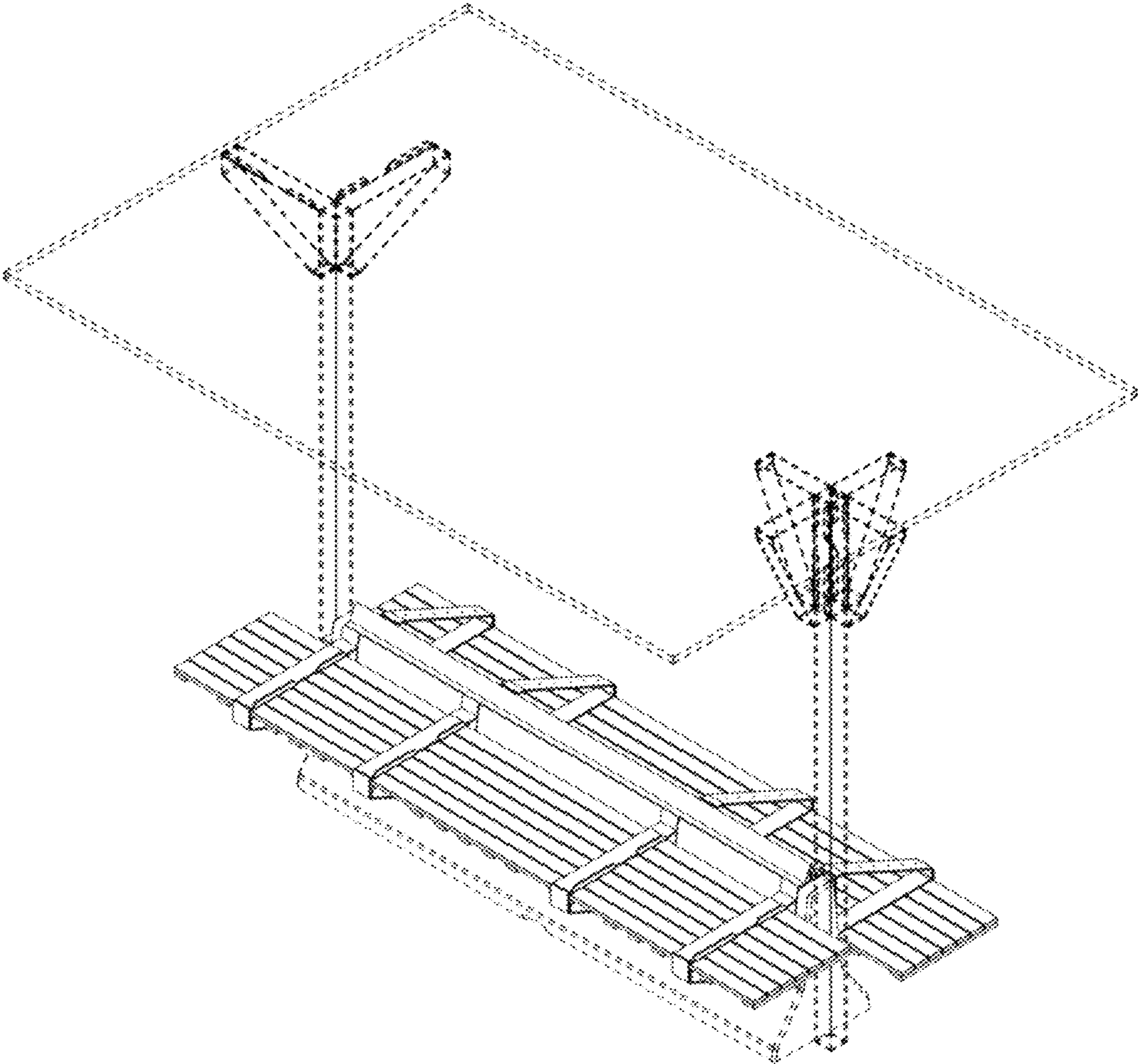


FIG. 7