



US00D905978S

(12) **United States Design Patent** (10) **Patent No.:** **US D905,978 S**
Smrstick (45) **Date of Patent:** **** Dec. 29, 2020**

- (54) **SEATING UNIT**
- (71) Applicant: **Blu Dot Design & Manufacturing, Inc.**, Minneapolis, MN (US)
- (72) Inventor: **Scott Smrstick**, Minneapolis, MN (US)
- (73) Assignee: **Blu Dot Design & Manufacturing, Inc.**, Minneapolis, MN (US)
- (**) Term: **15 Years**
- (21) Appl. No.: **29/683,221**
- (22) Filed: **Mar. 12, 2019**
- (51) **LOC (12) Cl.** **06-01**
- (52) **U.S. Cl.**
USPC **D6/334; D6/381**
- (58) **Field of Classification Search**
USPC D6/329, 334–335, 370–383, 716,
D6/716.1–716.8
CPC A47G 11/00; A47G 11/001; A47G 11/003;
A47G 11/008; A47G 19/00; A47G 21/00;
A47G 23/00
See application file for complete search history.

- D878,797 S * 3/2020 Killinger D6/381
- D883,684 S * 5/2020 Urquiola D6/335
- D883,698 S * 5/2020 Carter D6/381
- D885,067 S * 5/2020 Wilson D6/334
- D885,782 S * 6/2020 Gam D6/381
- (Continued)

OTHER PUBLICATIONS

Bloke Lounge Chair [online], [site visited Mar. 20, 2020]. Available from internet, URL: <<https://www.bludot.com/bloke-lounge-chair.html>> (Year: 2020).*

(Continued)

Primary Examiner — Cynthia Ramirez
Assistant Examiner — Xavier Marti-Santos
(74) *Attorney, Agent, or Firm* — Fredrikson & Byron, P.A.

(57) **CLAIM**

I claim the ornamental design for a seating unit, as shown and described.

DESCRIPTION

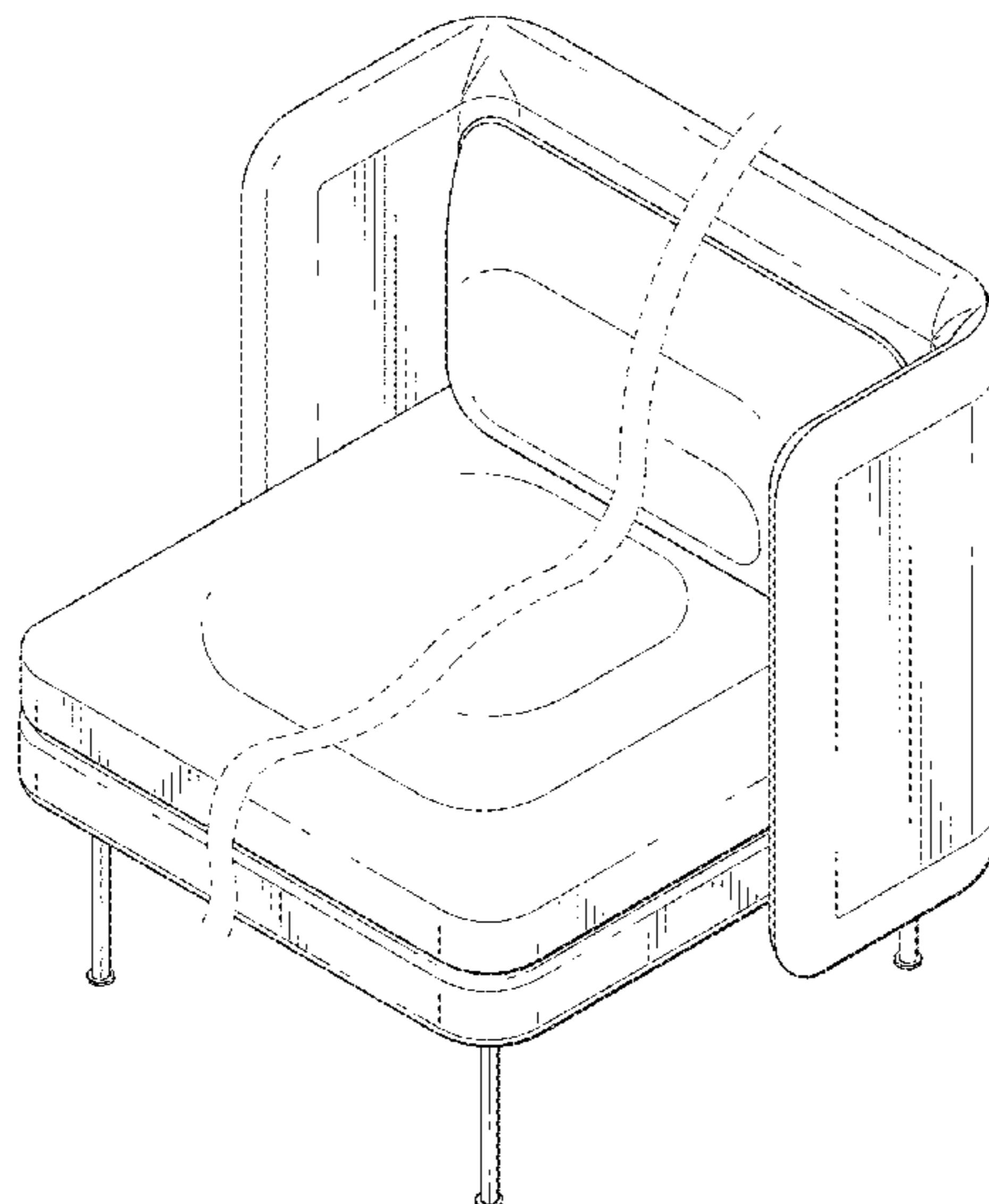
FIG. 1 is a front upper perspective view of a seating unit, showing my new design;
FIG. 2 is a first side elevational view thereof;
FIG. 3 is a second side elevational view thereof, the second side elevational view being opposite the first side elevational view;
FIG. 4 is a front elevational view thereof;
FIG. 5 is a rear elevational view thereof;
FIG. 6 is a top plan view thereof; and,
FIG. 7 is a bottom plan view thereof.
The broken lines are to show portions of the seating unit that form no part of the claimed design.
The seating unit is shown with a symbolic break in its length. The appearance of any portion of the article between the break lines forms no part of the claimed design.

1 Claim, 4 Drawing Sheets

(56) **References Cited**

U.S. PATENT DOCUMENTS

- 2,544,787 A 3/1951 Hand
- D448,946 S * 10/2001 Goetz D6/381
- D484,712 S 1/2004 Gomez
- D484,713 S 1/2004 Gomez
- D485,086 S 1/2004 Gomez
- D554,387 S 11/2007 Nicoletti
- D559,003 S * 1/2008 Lissoni D6/381
- D676,683 S * 2/2013 Martin D6/381
- D698,177 S * 1/2014 Nguyen D6/381
- D698,179 S * 1/2014 Nguyen D6/381
- D699,451 S * 2/2014 Beucler D6/334
- D702,957 S * 4/2014 Natuzzi D6/381
- D807,660 S * 1/2018 Hughes D6/381
- D854,851 S * 7/2019 Smrstick D6/381
- D868,487 S * 12/2019 Vaughan D6/334



(56)

References Cited

U.S. PATENT DOCUMENTS

D889,877 S * 7/2020 Hale D6/381
 2016/0245005 A1* 8/2016 Tsuchiyama E04B 2/7409

OTHER PUBLICATIONS

Blu Dot on Instagram: “New Bloke Collection. Fit for the Queen or keggers, Bloke is a sophisticate that knows how to have a lot of fun . . .”, announced May 24, 2018 [online], [site visited Mar. 20, 2020]. Available from internet, URL: <https://www.instagram.com/p/BjKwLhPhs_C/> (Year: 2018).*

Söderhamn Armchair [online]. [site visited Apr. 1, 2020]. Available from internet, URL: <<https://www.ikea.com/us/en/p/soederhamn-armchair-finnsta-turquoise-s79135652/>> (Year: 2020).*

Blu Dot Catalog No. 16, Designed in Minneapolis, Minnesota, published 2015, 44 pgs.

Blu Dot Catalog No. 17, Designed in Minneapolis, Minnesota, published 2015, 52 pgs.

Blu Dot Catalog No. 18, Designed in Minneapolis, Minnesota, published 2016, 51 pgs.

Blu Dot Catalog No. 19, Designed in Minneapolis, Minnesota, published 2016, 54 pgs.

Blu Dot Catalog No. 21, Cat 17F-Book A, Designed in Minneapolis, Minnesota, Applicant believes reference was published and available more than one year prior to the filing date of the instant application, 51 pgs.

Blu Dot Catalog No. 21, Cat 17F-Book B, Designed in Minneapolis, Minnesota, Applicant believes reference was published and available more than one year prior to the filing date of the instant application, 51 pgs.

Blu Dot Catalog No. 22, Cat 18S-Book B, Designed in Minneapolis, Minnesota, Applicant believes reference was published and available more than one year prior to the filing date of the instant application, 33 pgs.

Blu Dot Catalog No. 22, Cat18Sm_RGB, Designed in Minneapolis, Minnesota, Applicant believes reference was published and available more than one year prior to the filing date of the instant application, 33 pgs.

Soderhamn Armchair [archived online]. Available from internet, URL: <<https://web.archive.org/web/20170716221437/http://www.ikea.com/us/en/catalog/products/S79135652>> (Year: 2017), 2 pgs.

* cited by examiner

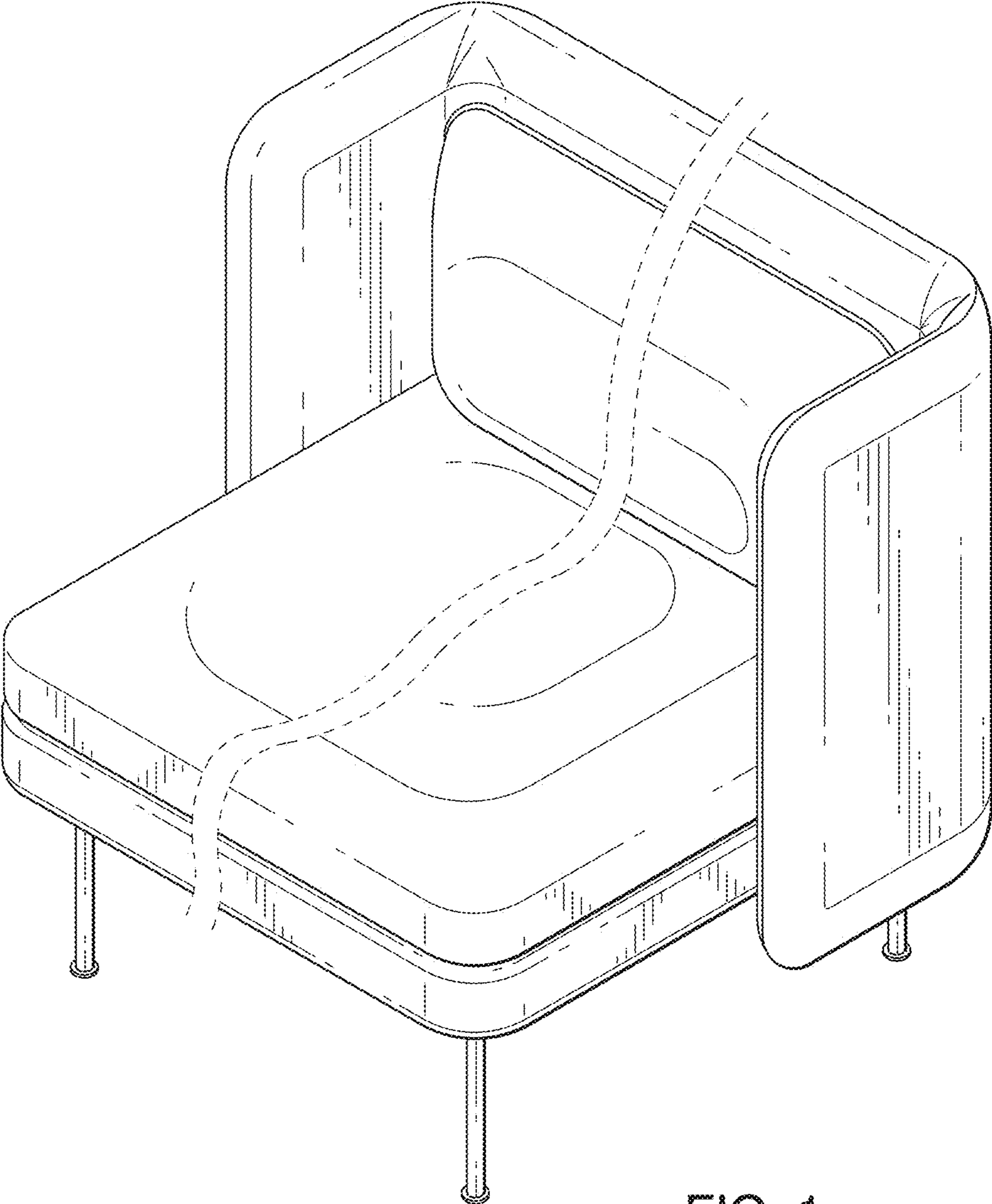


FIG. 1

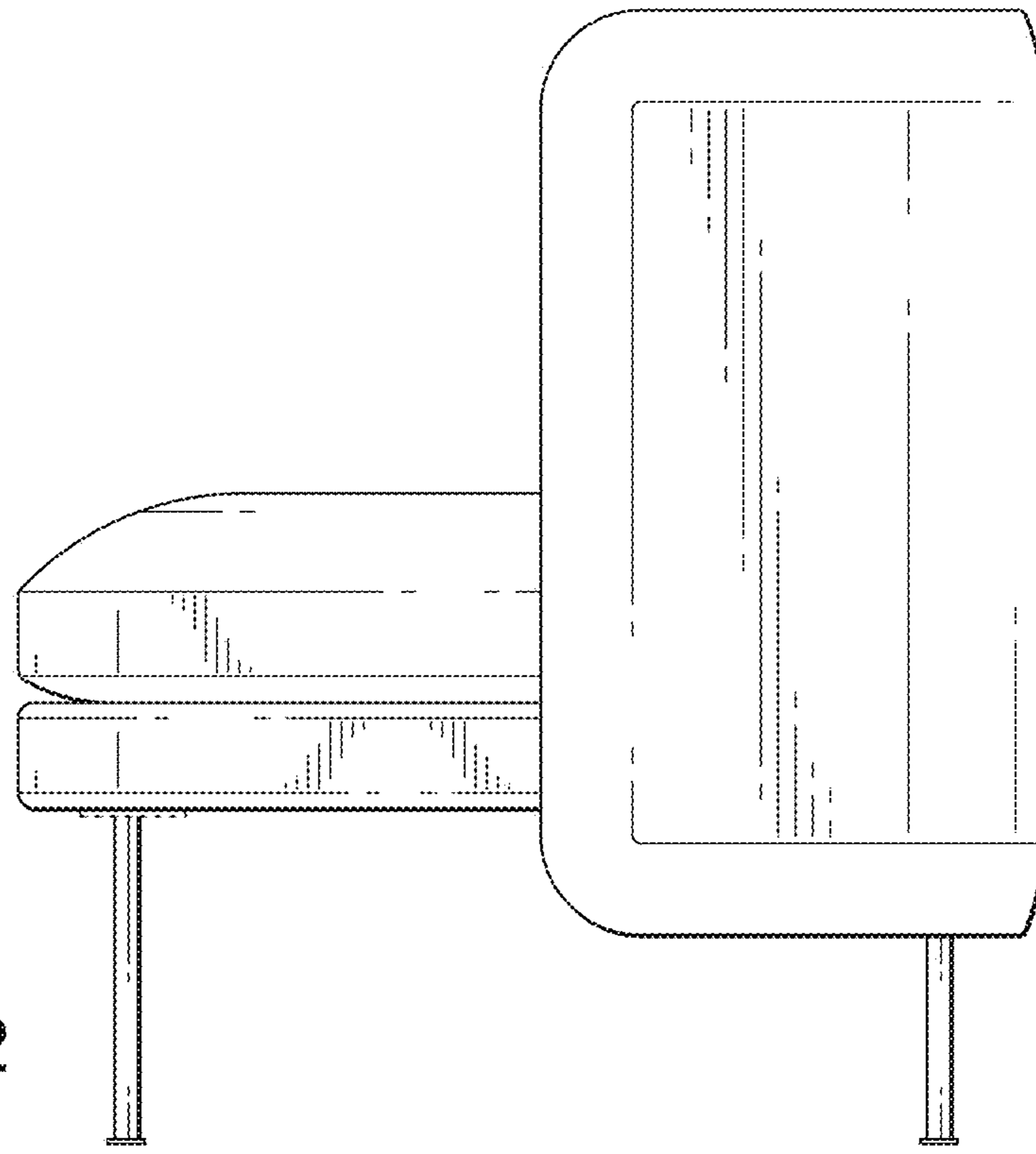


FIG. 2

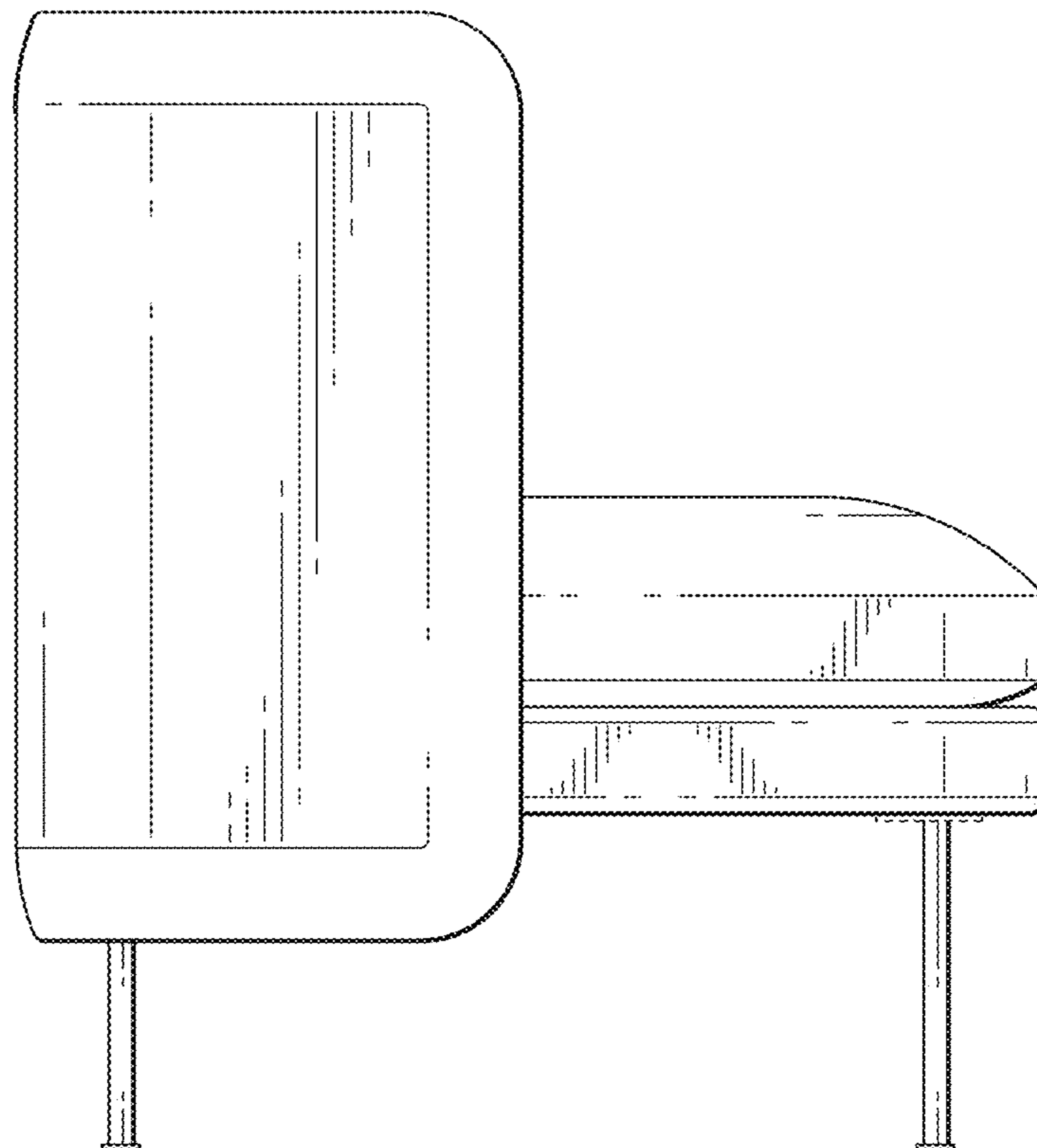


FIG. 3

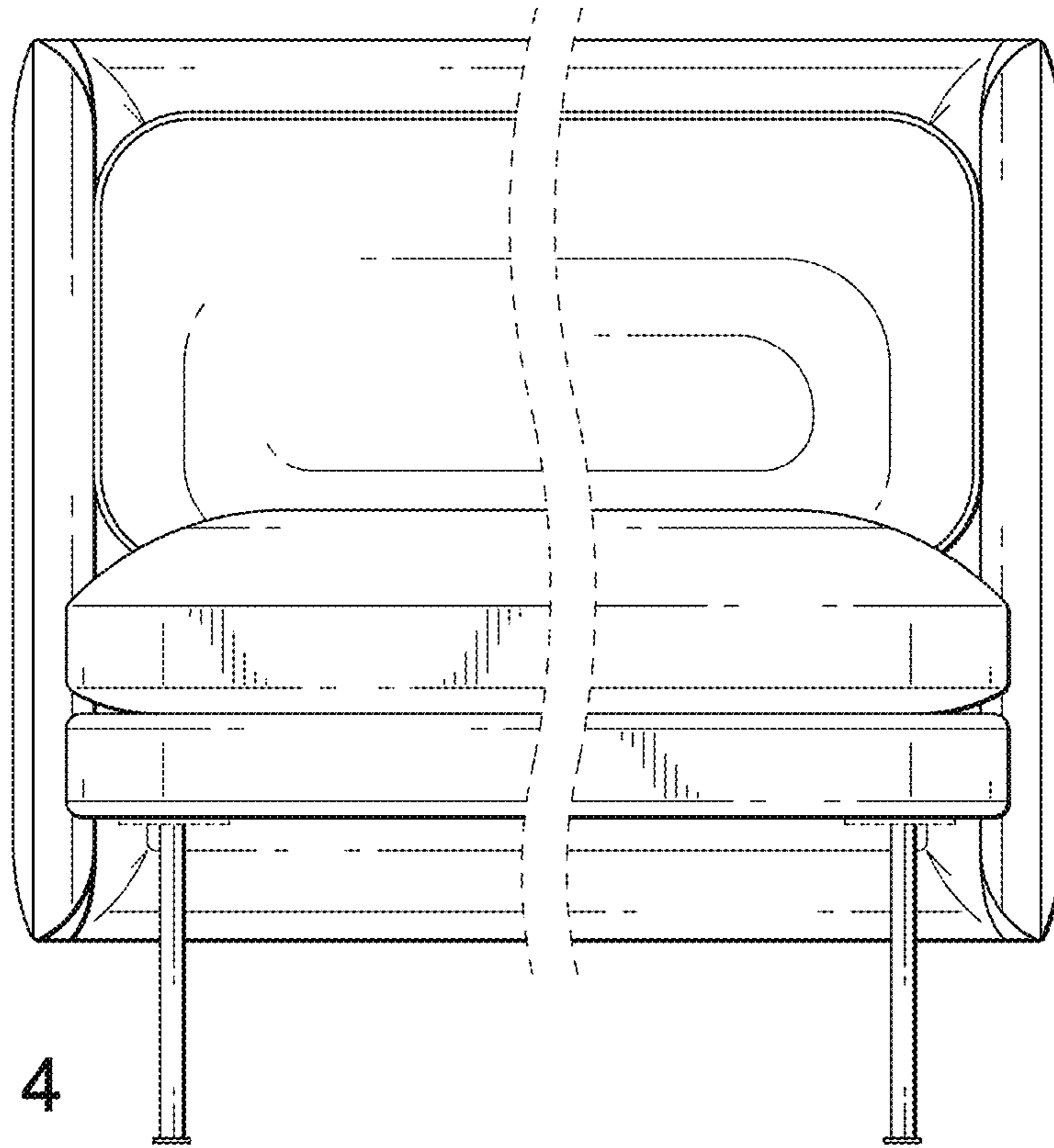


FIG. 4

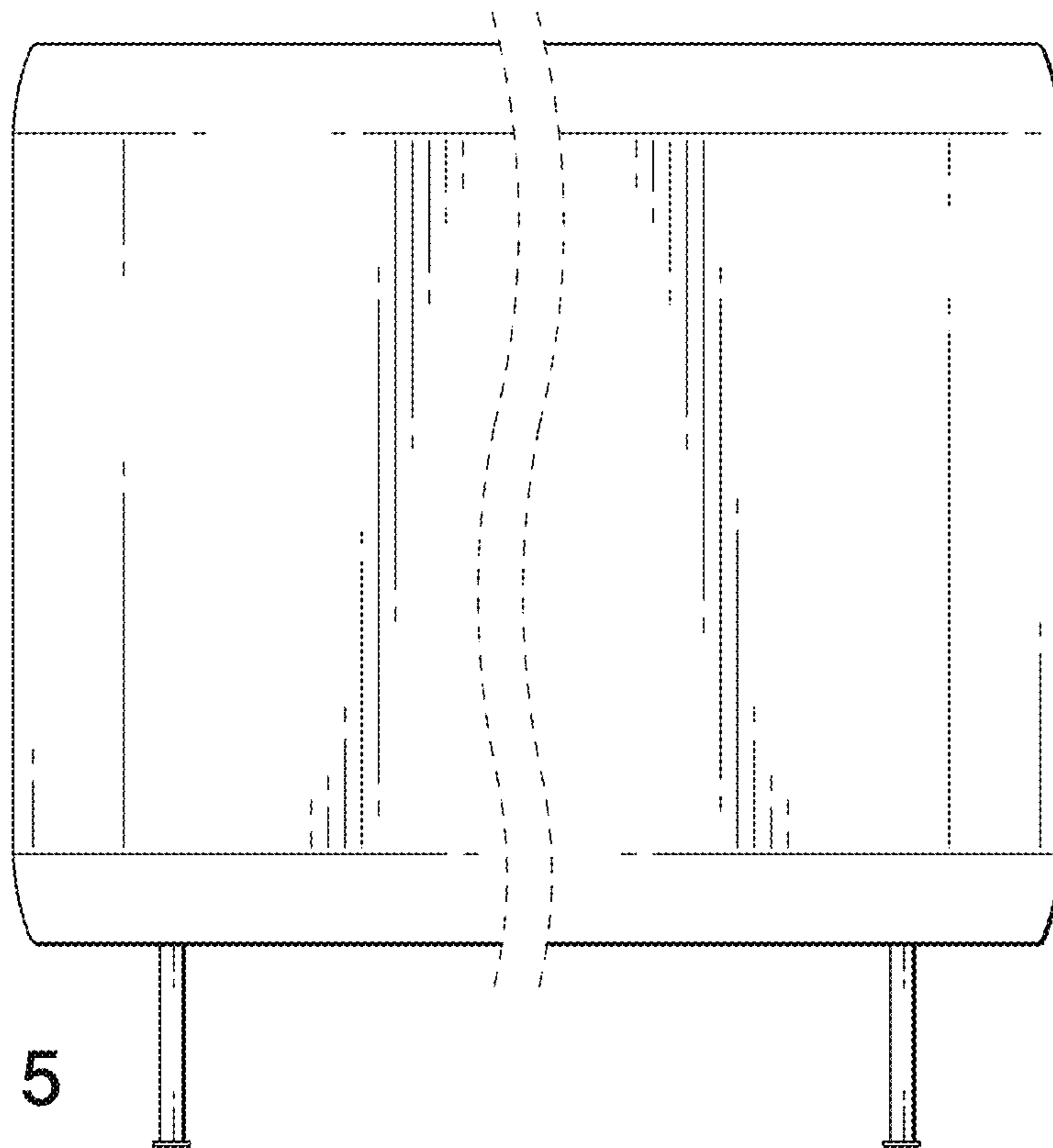


FIG. 5

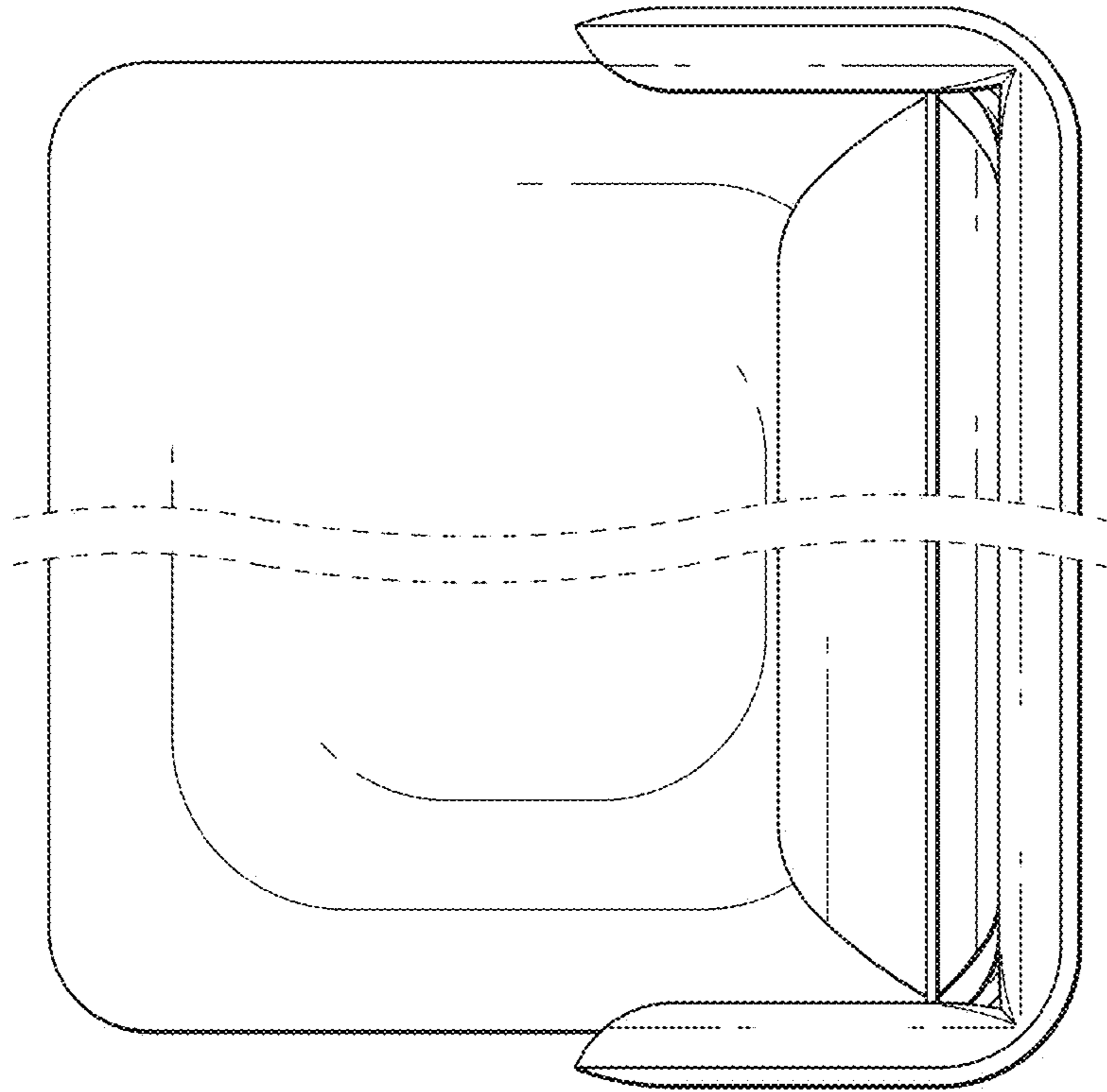


FIG. 6

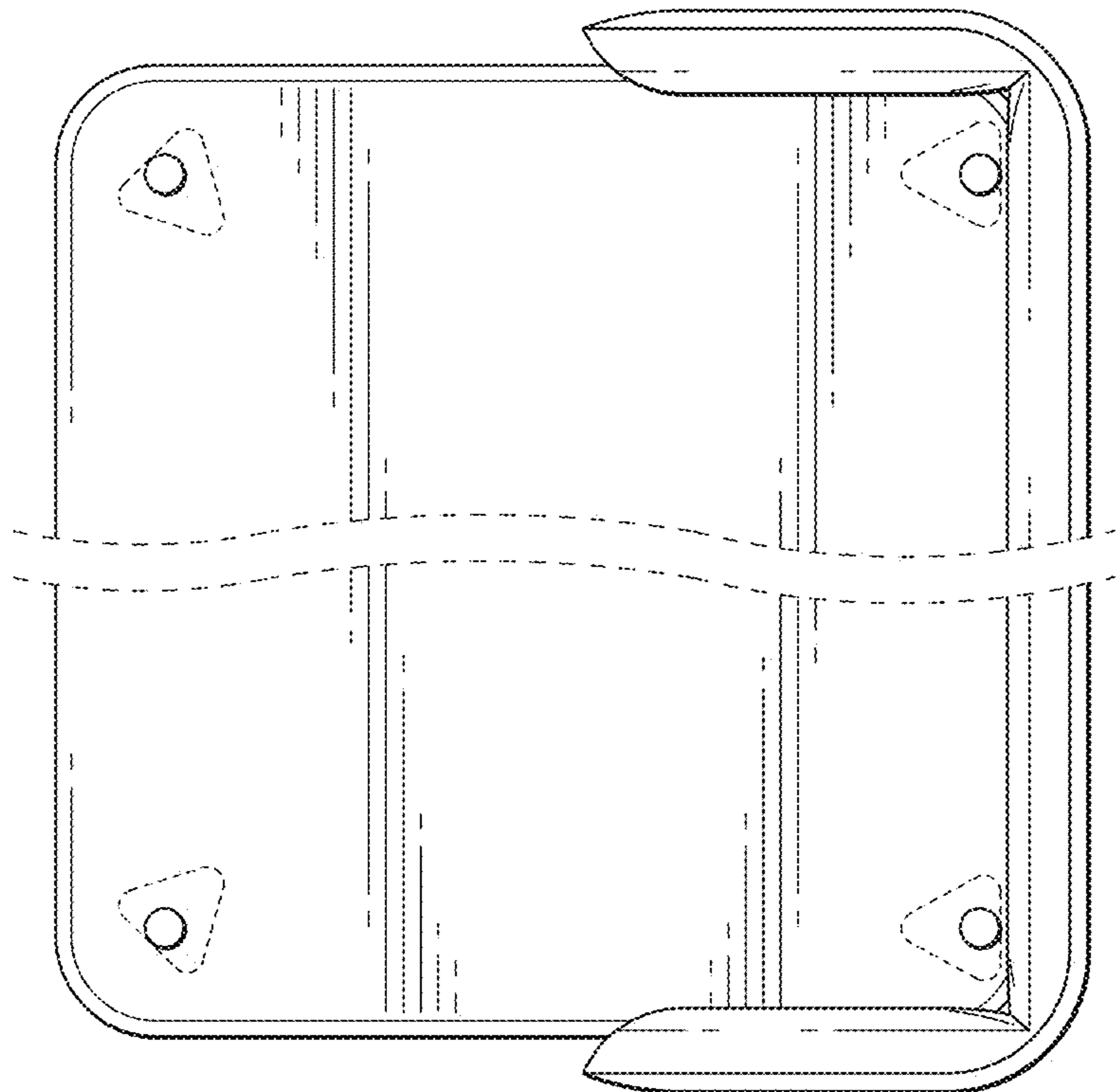


FIG. 7