



US00D905975S

(12) **United States Design Patent** (10) **Patent No.:** **US D905,975 S**
Svihilik (45) **Date of Patent:** **** Dec. 29, 2020**

(54) **HEXAGON PICTURE DISPLAY PANEL**

(71) Applicant: **American Direct Sales, LLC,**
Merrillville, IN (US)

(72) Inventor: **Jeffrey A. Svihilik,** Merrillville, IN
(US)

(73) Assignee: **American Direct Sales, LLC,**
Merrillville, IN (US)

(**) Term: **15 Years**

(21) Appl. No.: **29/672,974**

(22) Filed: **Dec. 11, 2018**

(51) **LOC (12) Cl.** **06-06**

(52) **U.S. Cl.**
USPC **D6/310; D20/40**

(58) **Field of Classification Search**
USPC D6/300-314; D20/10, 40-42
CPC A47G 1/06; A47G 1/0633; A47G 1/0638;
A47G 1/14; A47G 1/141; A47G 1/142;
A47G 2001/146
See application file for complete search history.

(56) **References Cited**

U.S. PATENT DOCUMENTS

D239,980 S *	5/1976	Parson	D6/300
D410,150 S *	5/1999	Plantz	D6/300
D410,683 S *	6/1999	Carter	D19/113
D526,360 S *	8/2006	Yasuoka	D20/10
D569,630 S *	5/2008	Bradford	D6/310

D681,739 S *	5/2013	Richmond	D20/42
D698,160 S *	1/2014	Spall	D6/303
D745,092 S *	12/2015	Knapp	D20/40
D759,980 S *	6/2016	Toth	D6/300
D809,806 S *	2/2018	Ghiorghie	D6/312
D835,918 S *	12/2018	Lattorre	D6/300
D838,776 S *	1/2019	Katav	D19/113
D846,028 S *	4/2019	Svihilik	D20/42

* cited by examiner

Primary Examiner — Deanna L Pratt

(74) *Attorney, Agent, or Firm* — Botkin & Hall, LLP

(57) **CLAIM**

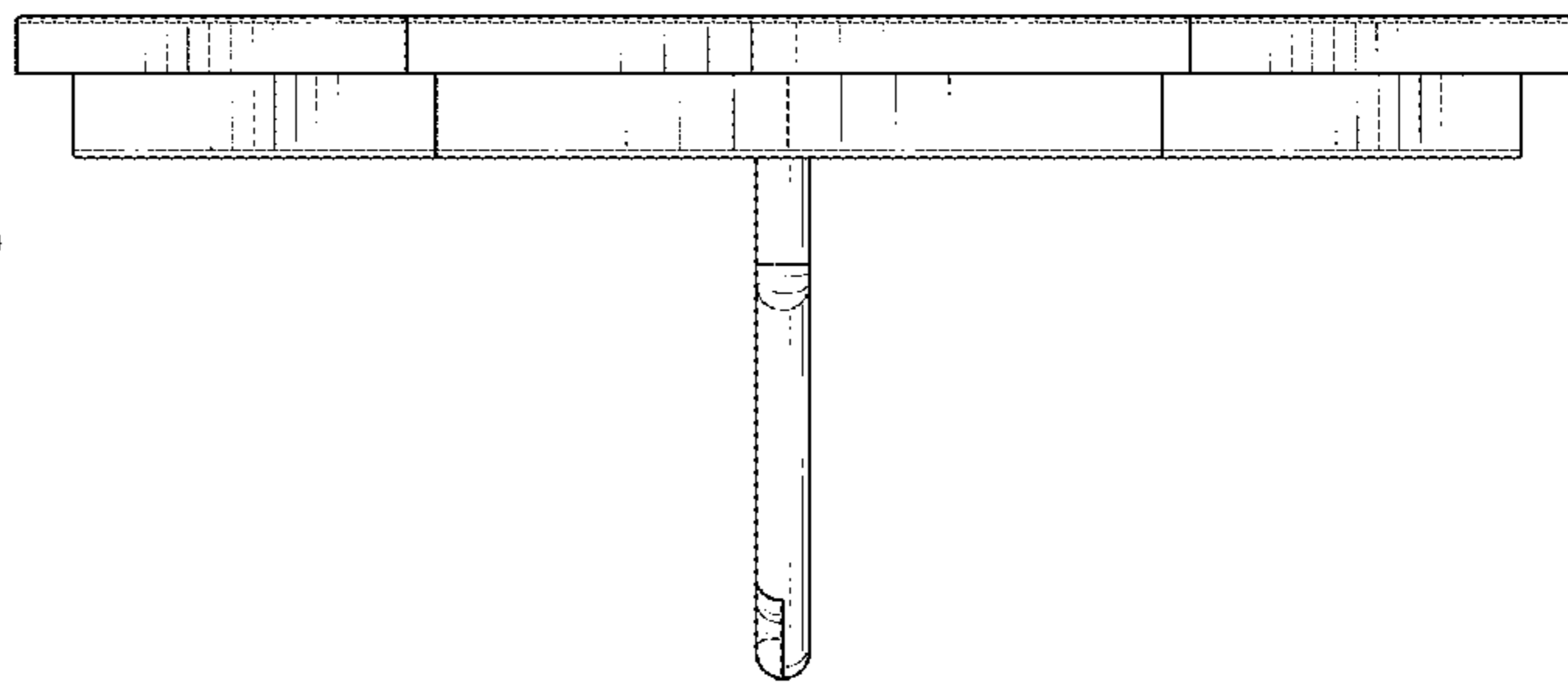
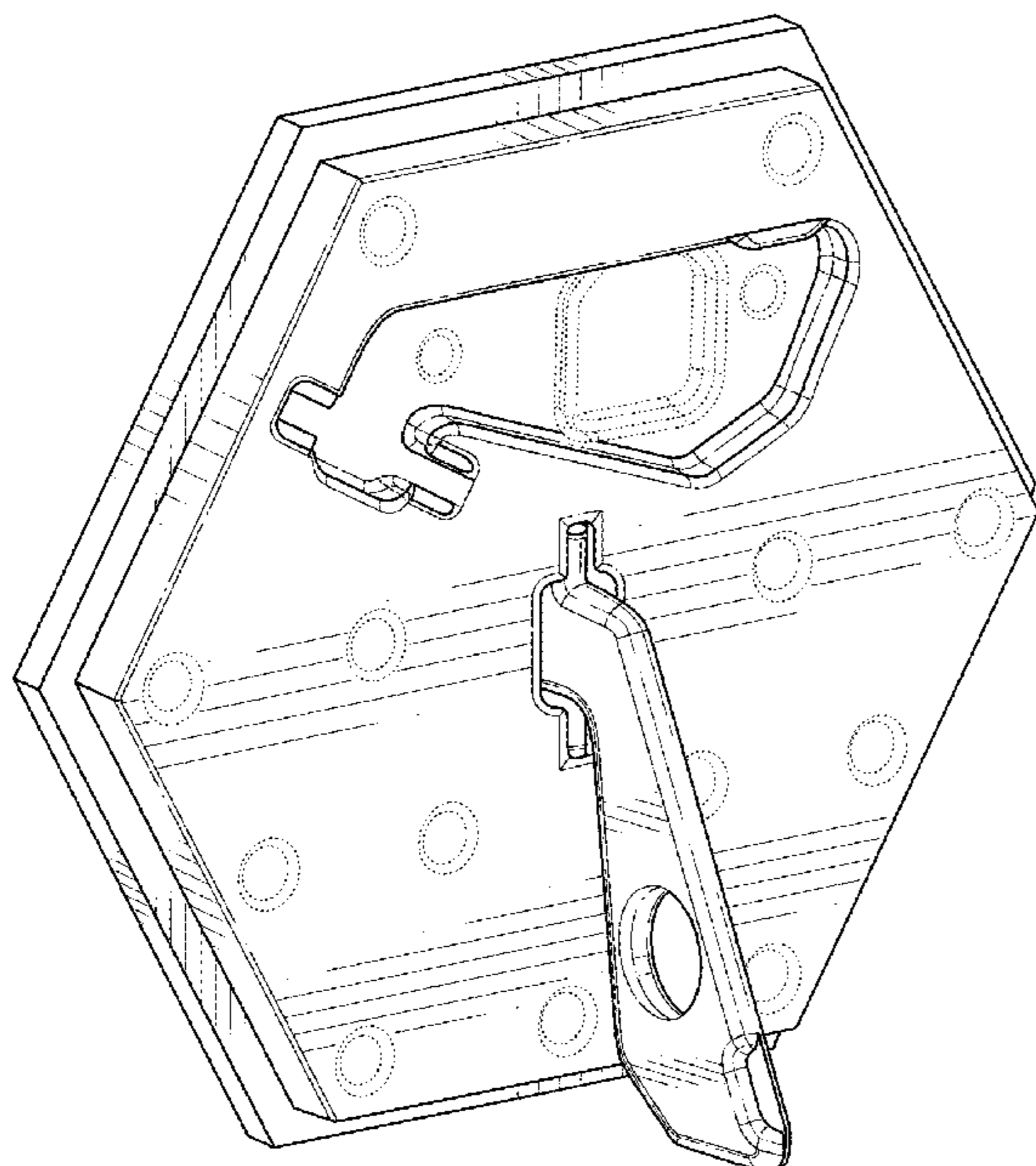
The ornamental design for a hexagon picture display panel, as shown and described.

DESCRIPTION

FIG. 1 is a rear isometric view of the Frame with the stand installed;
FIG. 2 is a rear view of the Frame of FIG. 1;
FIG. 3 is a front view of the Frame of FIG. 1;
FIG. 4 is a right side view of the Frame of FIG. 1;
FIG. 5 is a left side view of the Frame of FIG. 1;
FIG. 6 is a top view of the Frame of FIG. 1;
FIG. 7 is a bottom view of the Frame of FIG. 1;
FIG. 8 is a front isometric view of the Frame of FIG. 1; and,
FIG. 9 is a rear isometric view of the Frame with the stand removed.

The broken lines depict portions of the hexagon picture display panel that form no part of the claimed design, and are for illustrative purposes only.

1 Claim, 7 Drawing Sheets



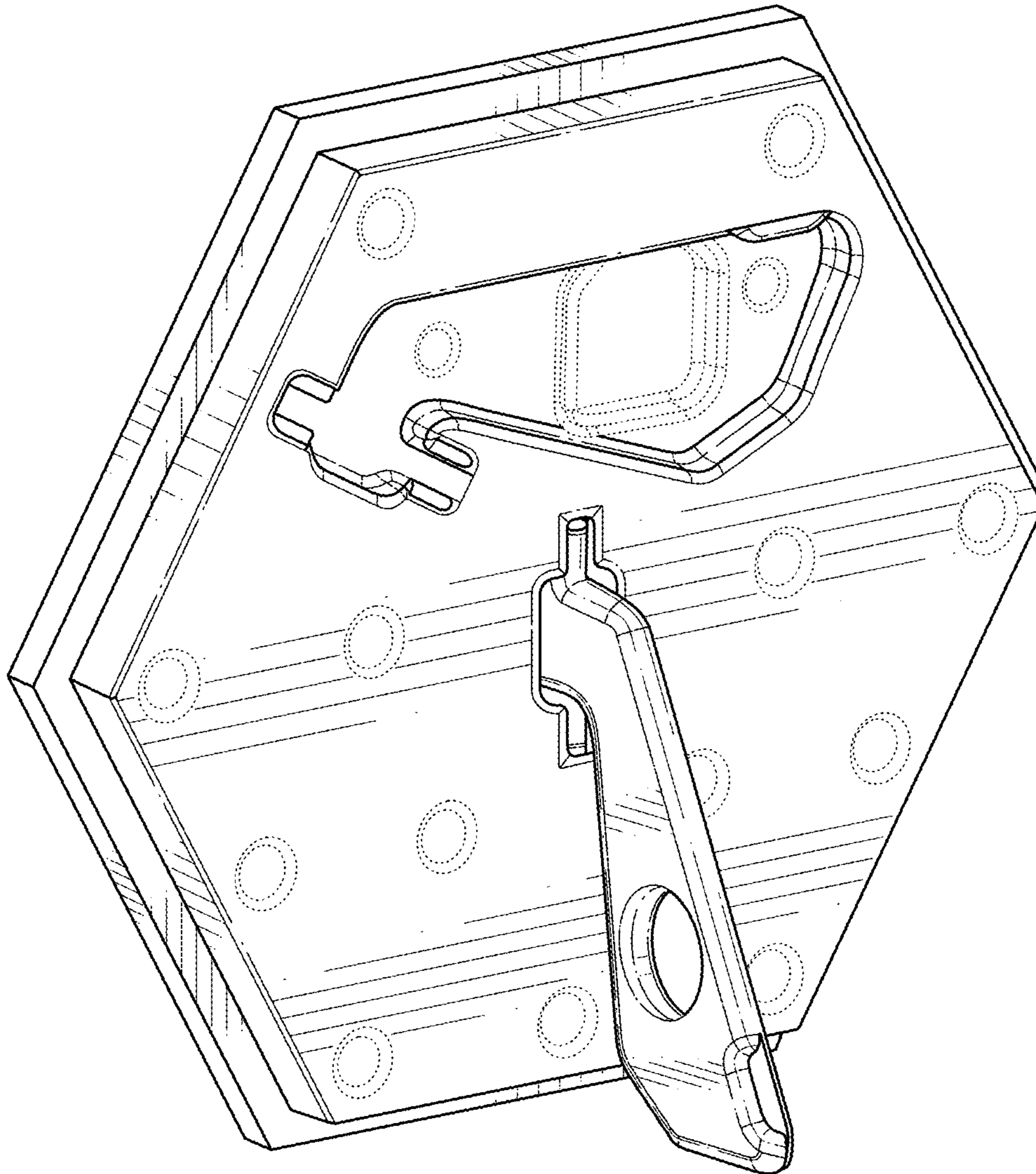


FIG. 1

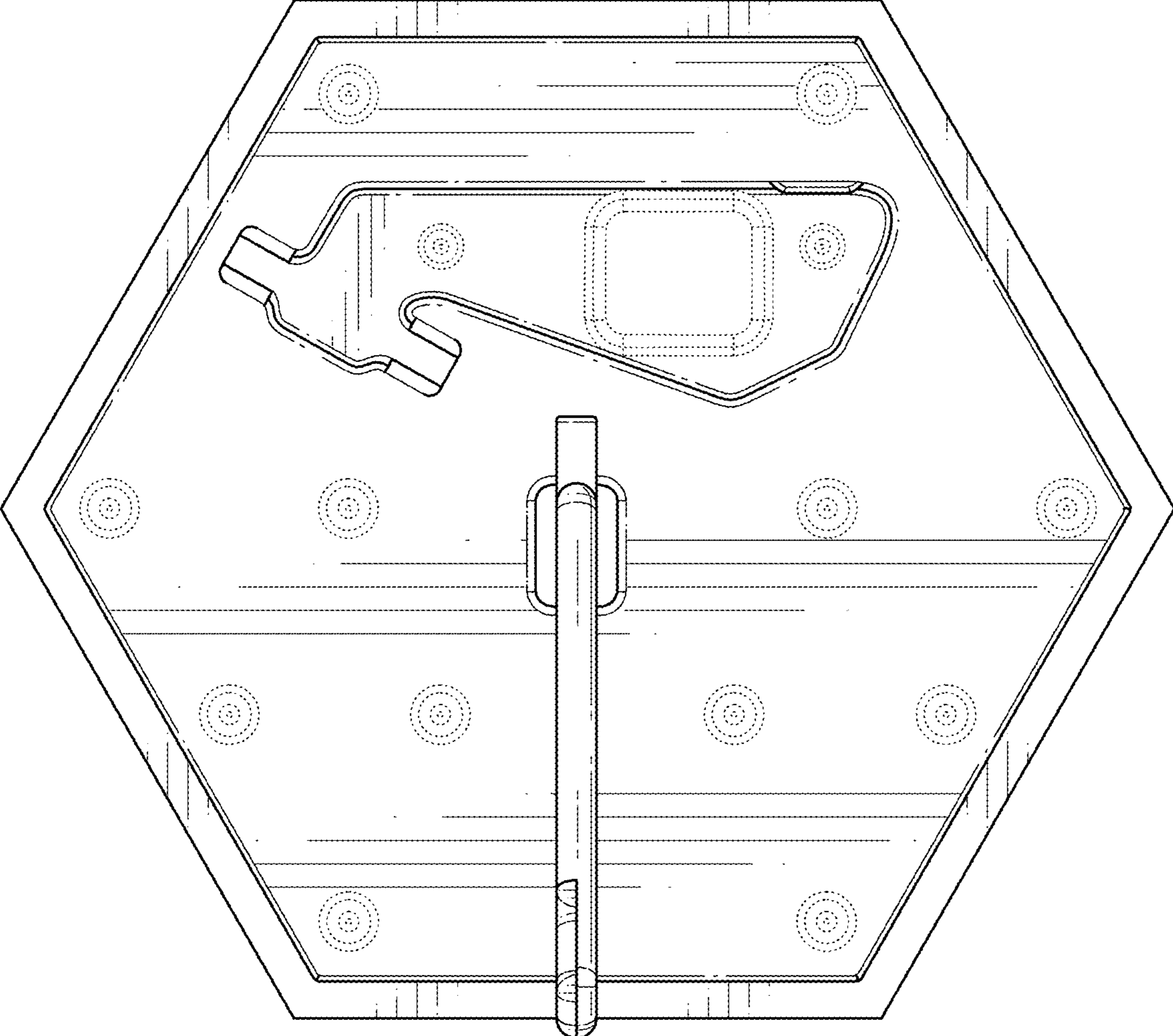


FIG. 2

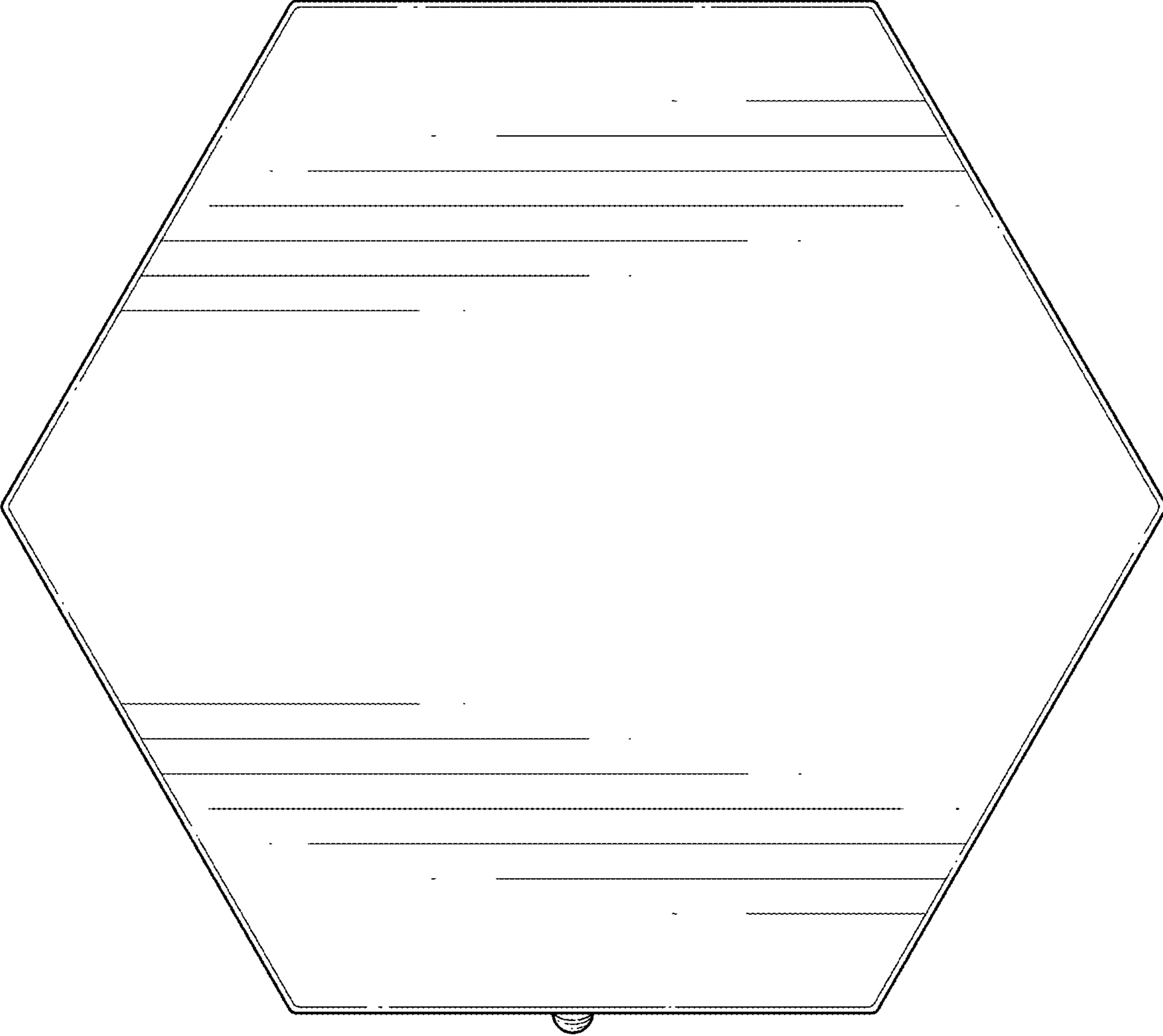


FIG. 3

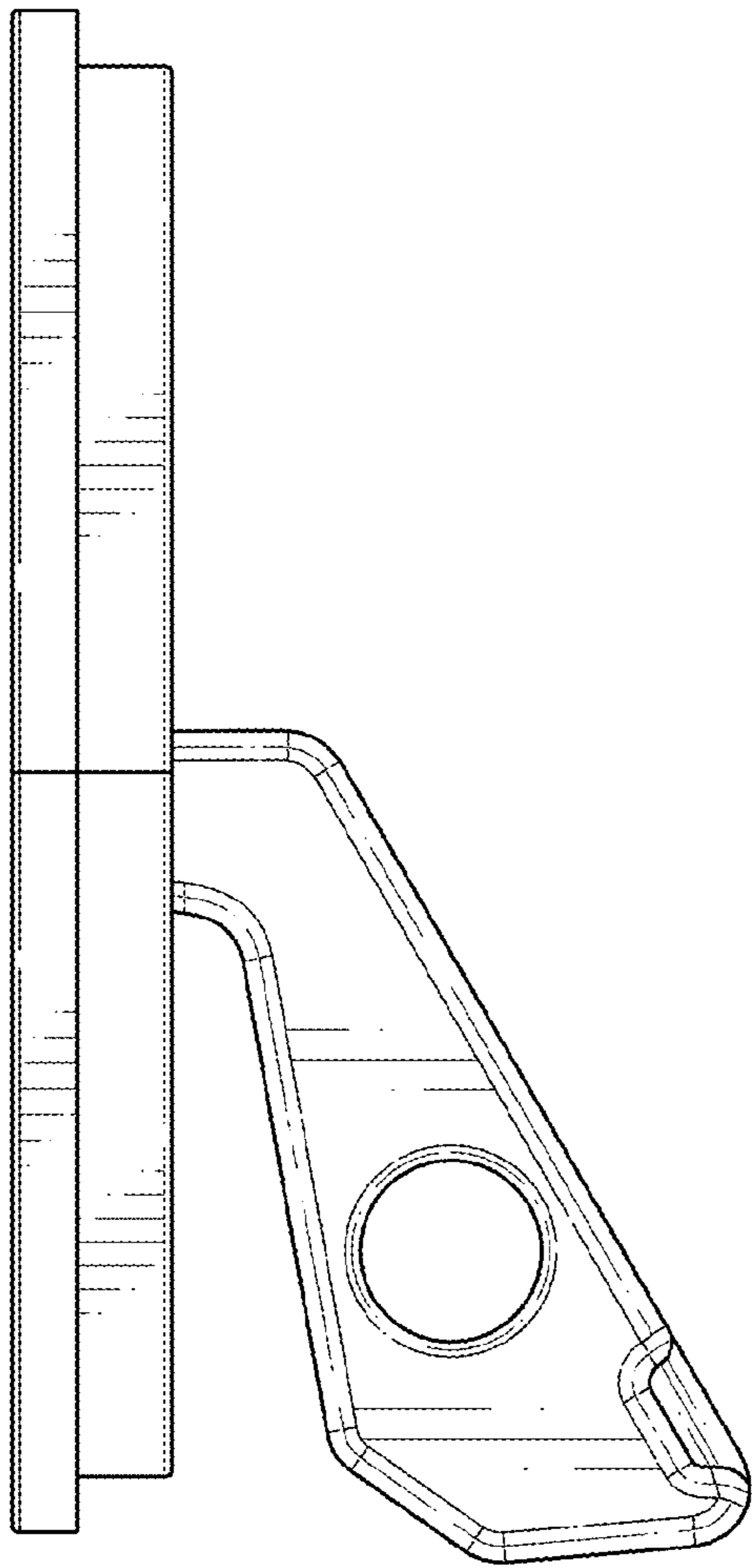


FIG. 4

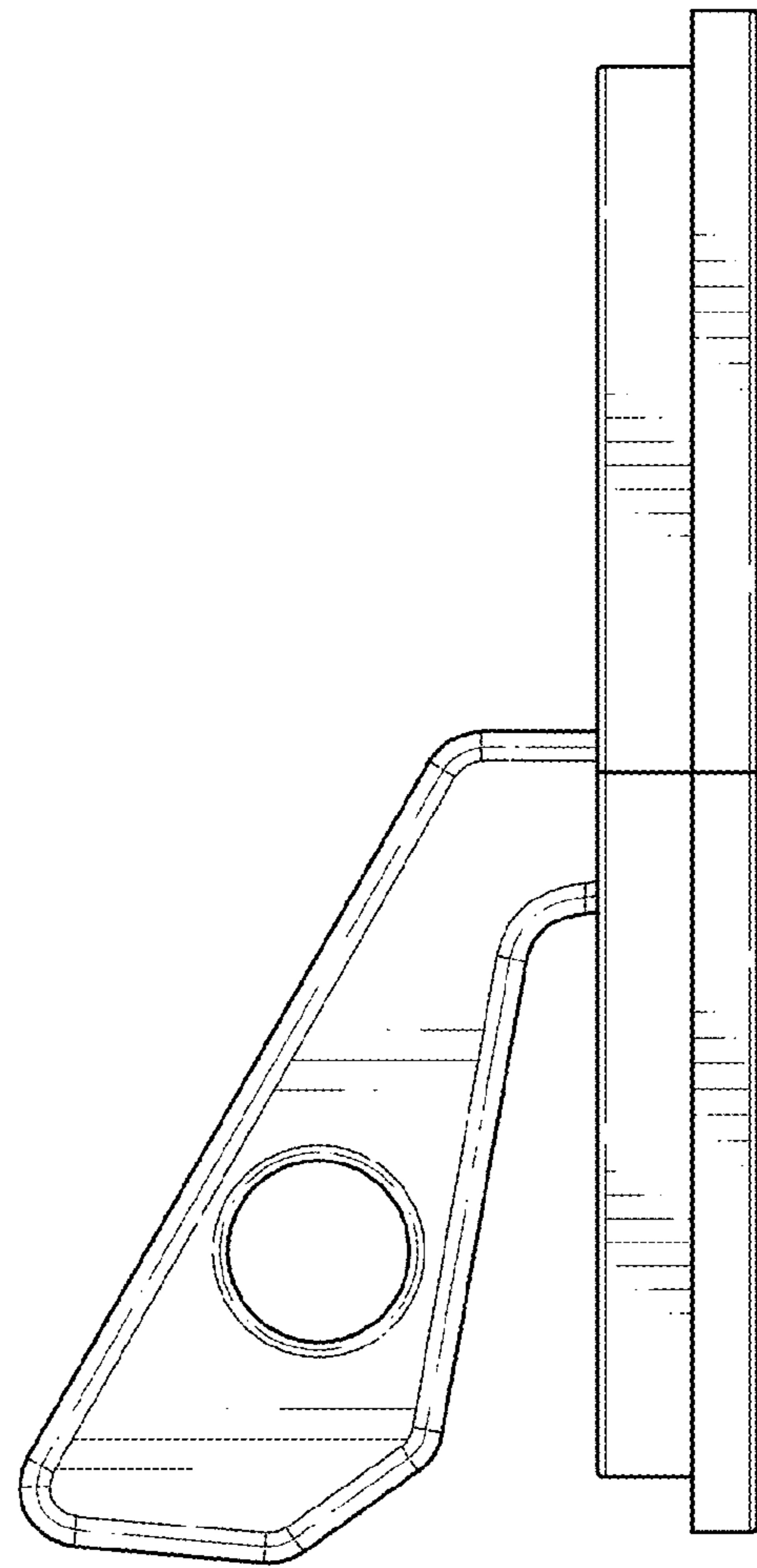


FIG. 5

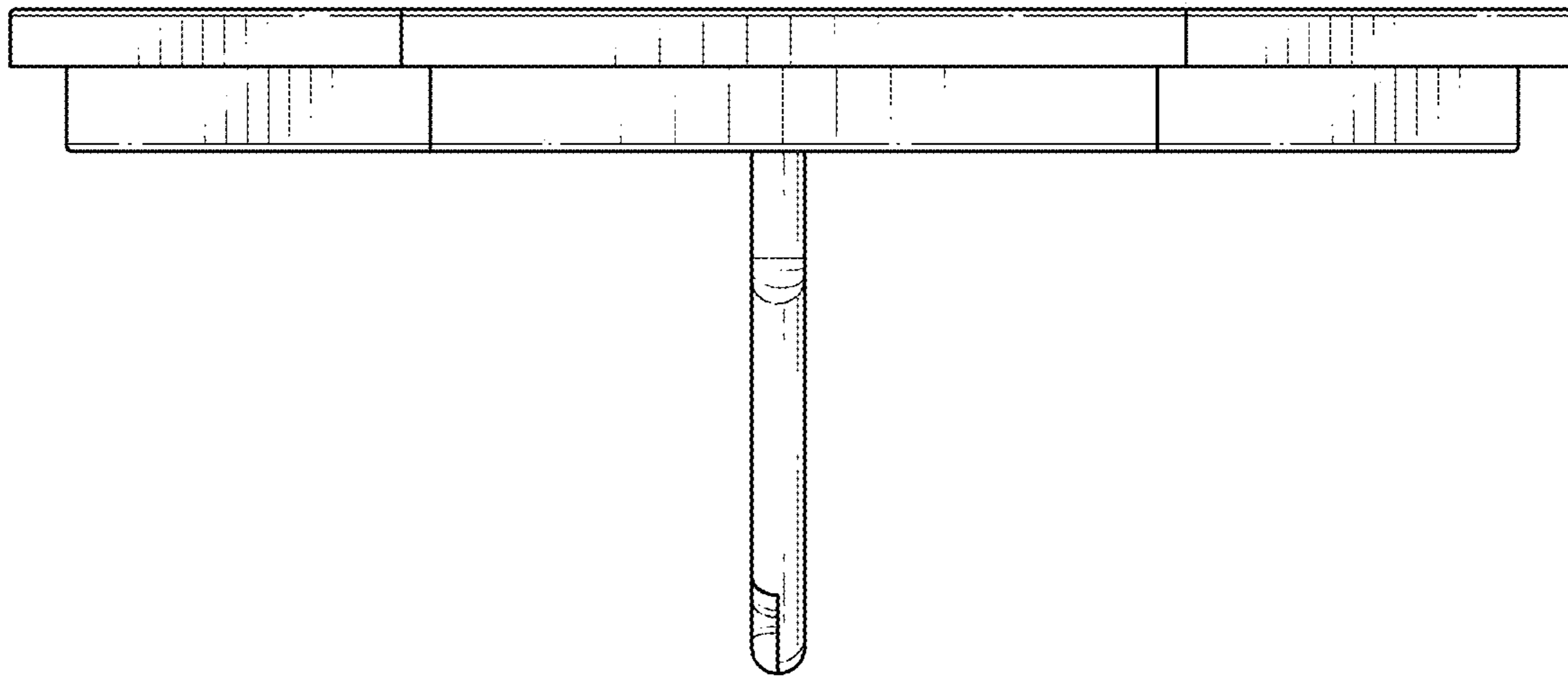


FIG. 6

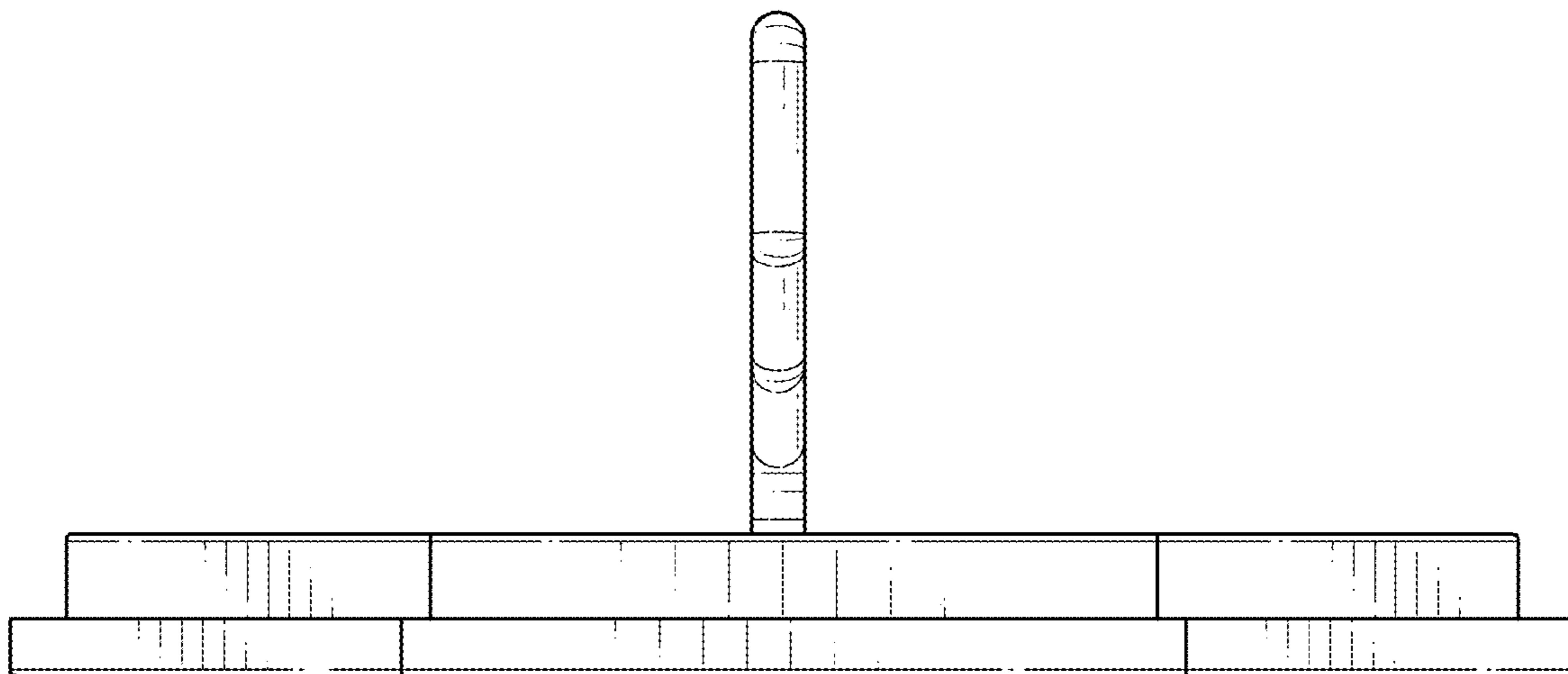


FIG. 7

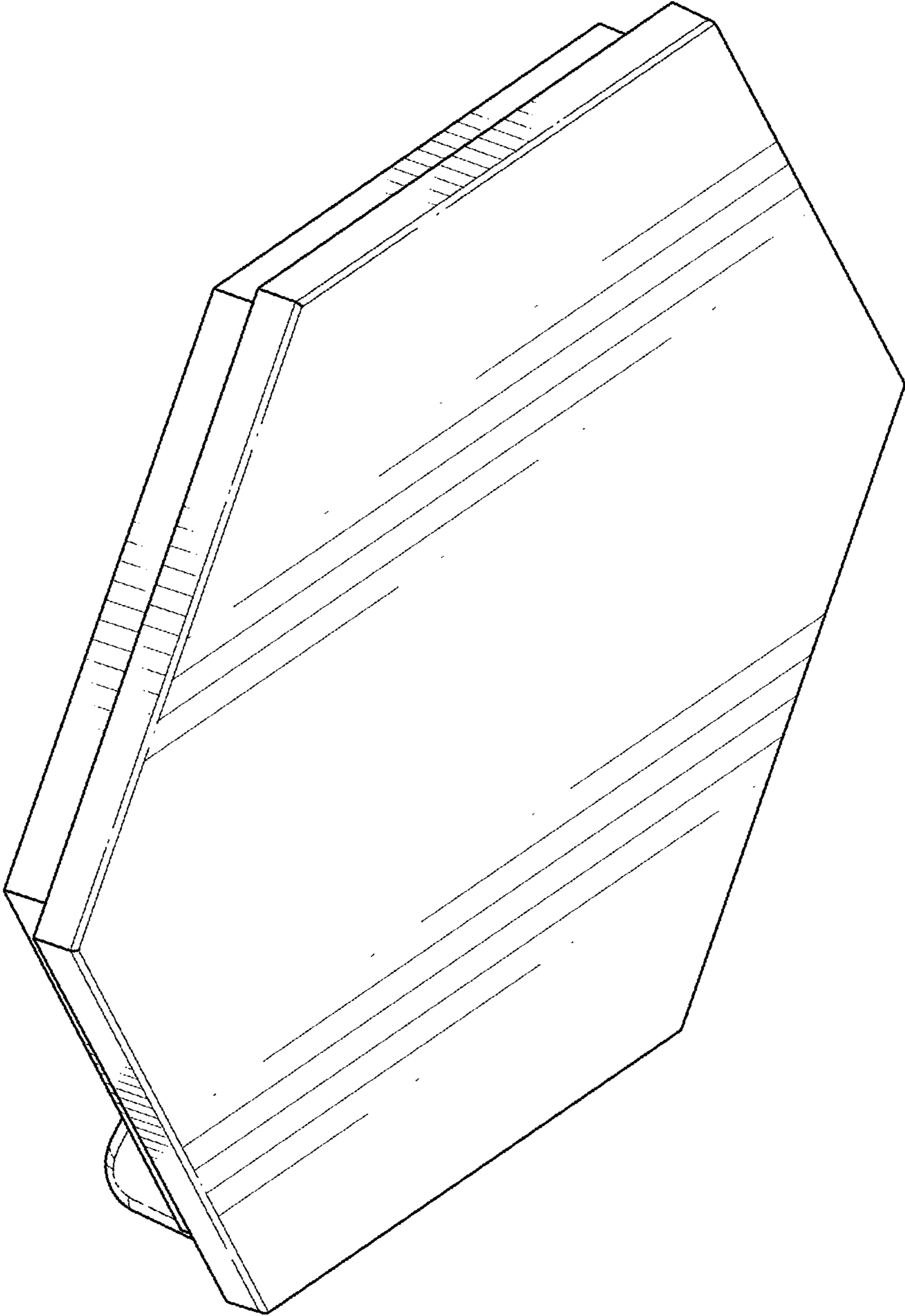


FIG. 8

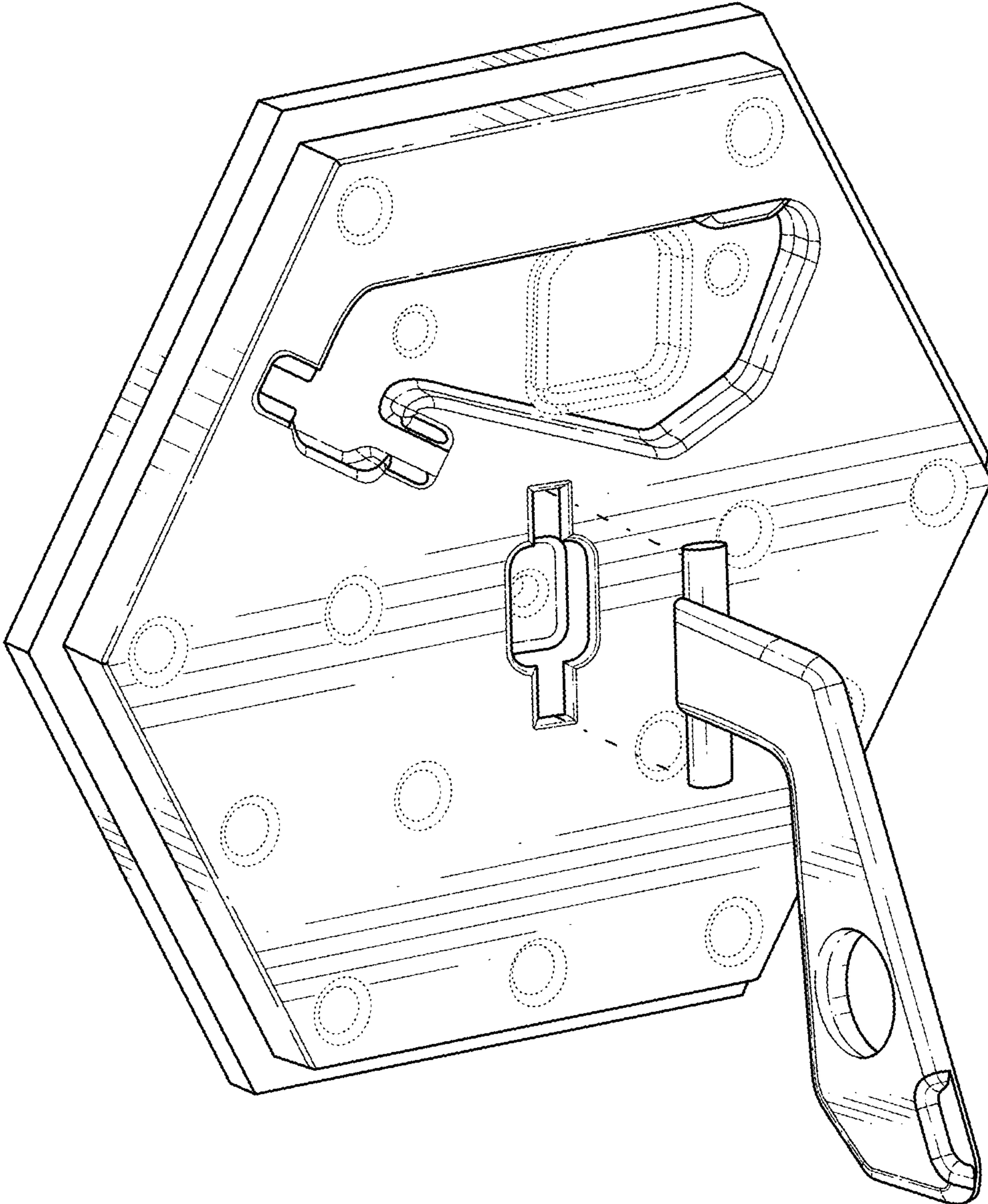


FIG. 9