



US00D905974S

(12) **United States Design Patent**  
**Chen**

(10) **Patent No.:** **US D905,974 S**

(45) **Date of Patent:** **\*\* Dec. 29, 2020**

- (54) **ELECTRONIC PHOTO FRAME**
- (71) Applicant: **Jiangping Chen**, Shenzhen (CN)
- (72) Inventor: **Jiangping Chen**, Shenzhen (CN)
- (73) Assignee: **ShenZhen GBZK Electronics Co., Ltd**, ShenZhen (CN)
- (\*\*) Term: **15 Years**
- (21) Appl. No.: **29/708,438**
- (22) Filed: **Oct. 7, 2019**
- (51) **LOC (12) Cl.** ..... **06-07**
- (52) **U.S. Cl.**  
USPC ..... **D6/308; D14/341**
- (58) **Field of Classification Search**  
USPC ..... D6/300, 301, 302, 303, 304, 307, 308, D6/309, 310, 311, 312, 313, 314; D10/15, 21, 24; D14/336, 341, 371, 372, D14/374, 381, 382, 448, 450; D20/10, D20/27  
CPC ..... A47G 1/0616; A47G 1/142; A47G 2001/0694; A47G 1/06; A47G 1/0605; A47G 1/0633; A47G 1/0638; A47G 1/0644; A47G 1/08; A47G 1/10; A47G 1/14; A47G 1/141; A47G 1/16; A47G 1/1606; A47G 1/1613; A47G 2001/0661; A47G 2001/0672; A47G 2001/0688; A47G 2001/148; G06F 1/1654  
See application file for complete search history.

- D702,229 S \* 4/2014 Lim ..... D14/341
- D703,667 S \* 4/2014 Song ..... D14/345
- D710,349 S \* 8/2014 Han ..... D14/341
- D712,400 S \* 9/2014 Kim ..... D14/341
- D811,752 S \* 3/2018 Ross, III ..... D6/300
- D862,909 S \* 10/2019 Zhou ..... D6/308
- D879,772 S \* 3/2020 Wall ..... D14/341

**FOREIGN PATENT DOCUMENTS**

JP D1658178 \* 10/2019

**OTHER PUBLICATIONS**

Feelcare 10 Inch 16GB Smart WiFi Digital Picture Frame, announced 2019 [online], [site visited Jul. 13, 2020]. Available from internet , URL:<[https://www.amazon.com/Feelcare-Anywhere-800x1280-Wall-Mountable-Landscape/dp/B07QZW6X6K?ref\\_=ast\\_sto\\_dp](https://www.amazon.com/Feelcare-Anywhere-800x1280-Wall-Mountable-Landscape/dp/B07QZW6X6K?ref_=ast_sto_dp)> (Year: 2019).\*

\* cited by examiner

*Primary Examiner* — Cynthia Ramirez  
*Assistant Examiner* — Xavier Marti-Santos

(57) **CLAIM**

The ornamental design for an electronic photo frame, as shown and described.

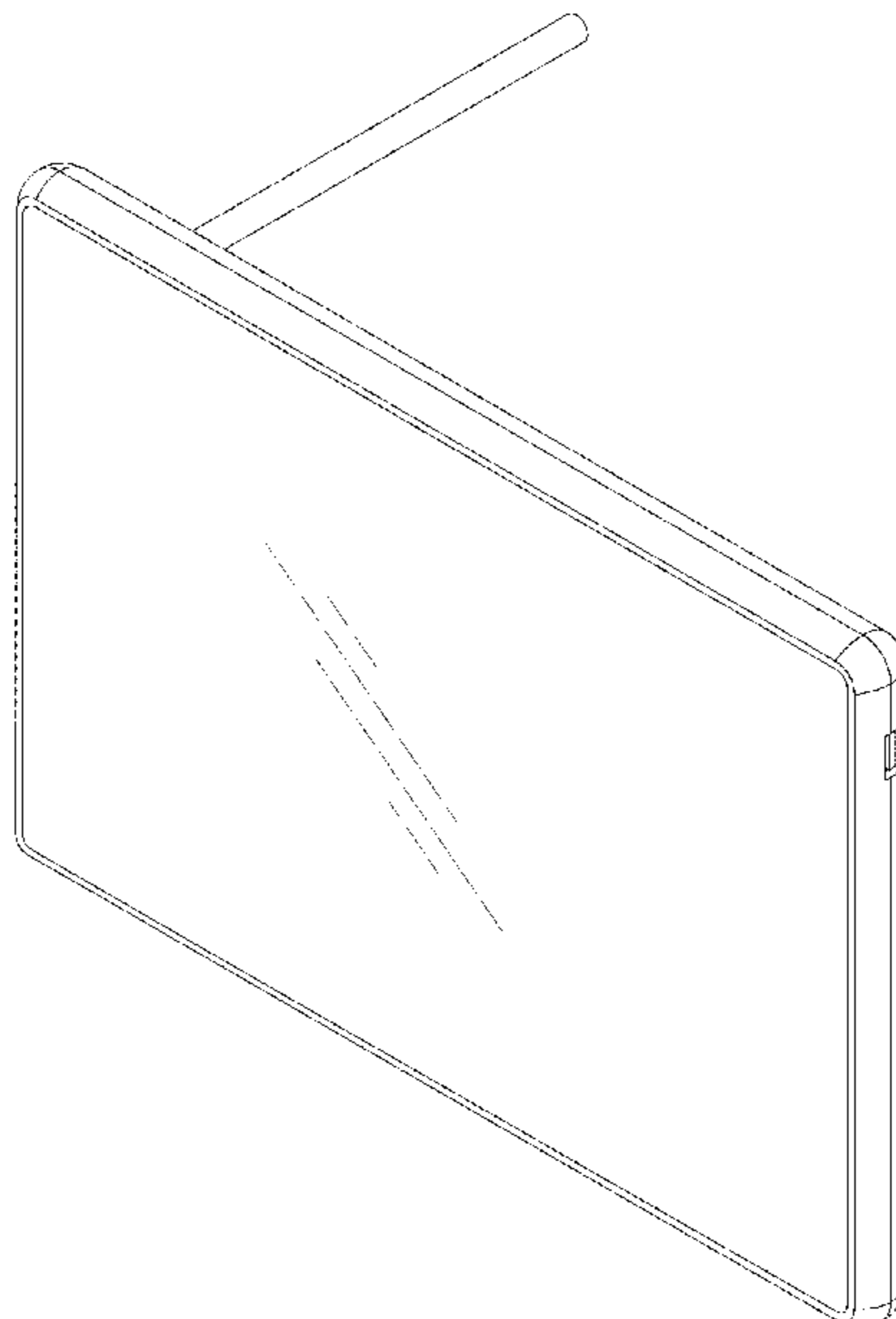
**DESCRIPTION**

FIG. 1 is a front, bottom perspective view of the electronic photo frame showing my new design; FIG. 2 is a rear perspective view thereof; FIG. 3 is a front elevational view thereof; FIG. 4 is a rear elevational view thereof; FIG. 5 is a left side elevational view thereof; FIG. 6 is a right side elevational view thereof; FIG. 7 is a top plan view thereof; and, FIG. 8 is a bottom plan view thereof.

**1 Claim, 8 Drawing Sheets**

(56) **References Cited**  
**U.S. PATENT DOCUMENTS**

- D506,074 S \* 6/2005 Chen ..... D6/300
- D636,610 S \* 4/2011 Caubel ..... D6/300
- D646,902 S \* 10/2011 Woo ..... D6/308
- D698,780 S \* 2/2014 Lee ..... D14/341



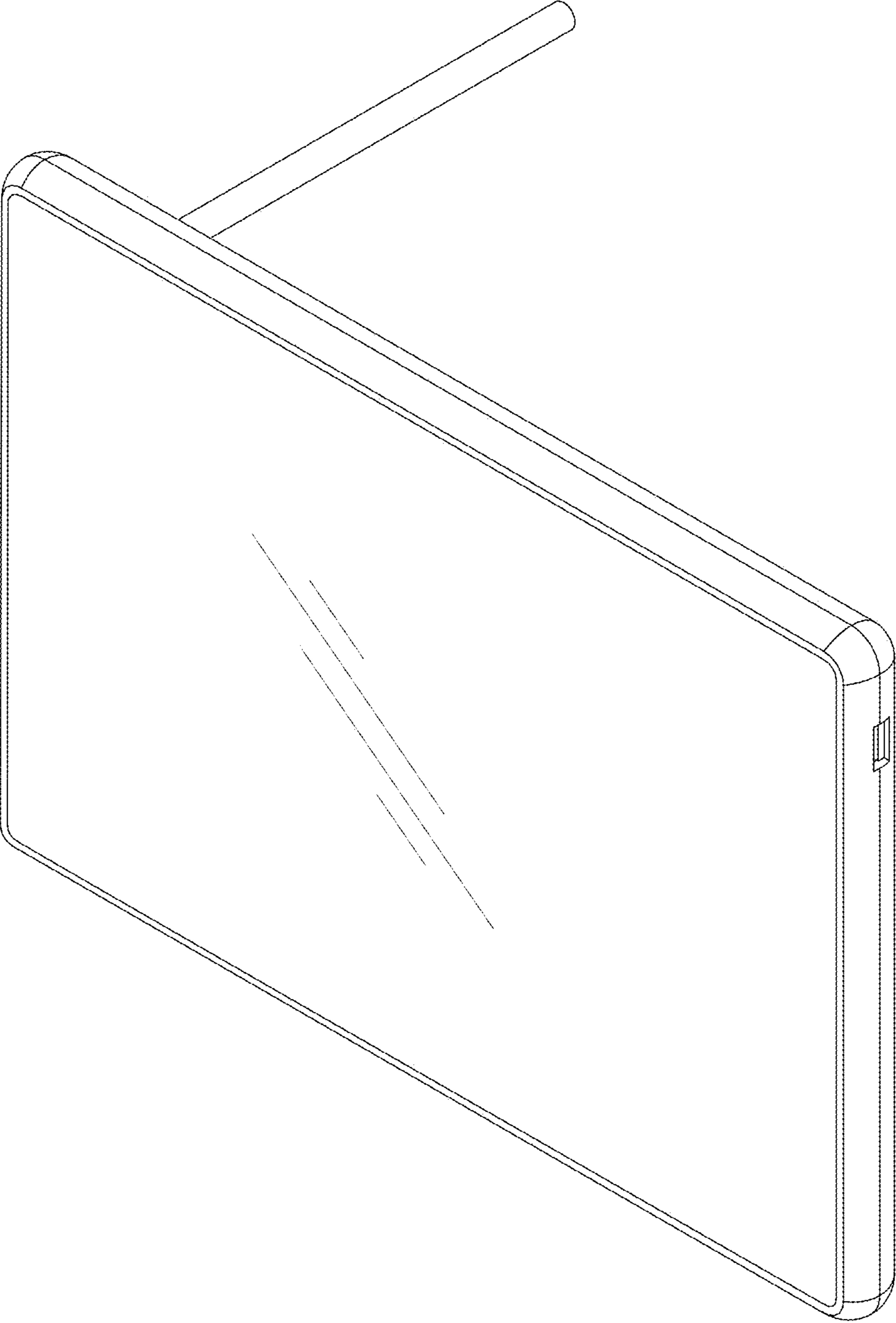


FIG. 1

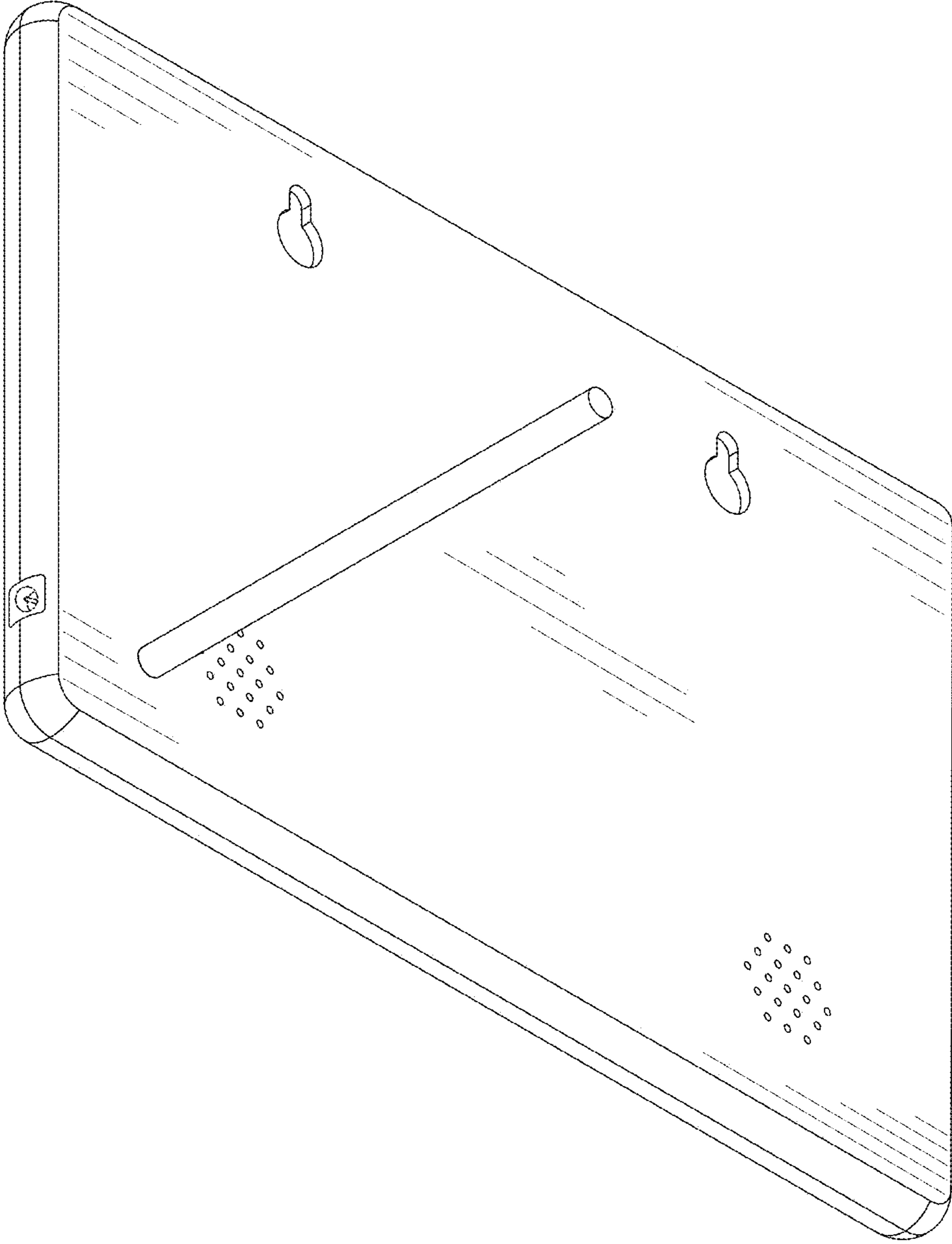


FIG. 2

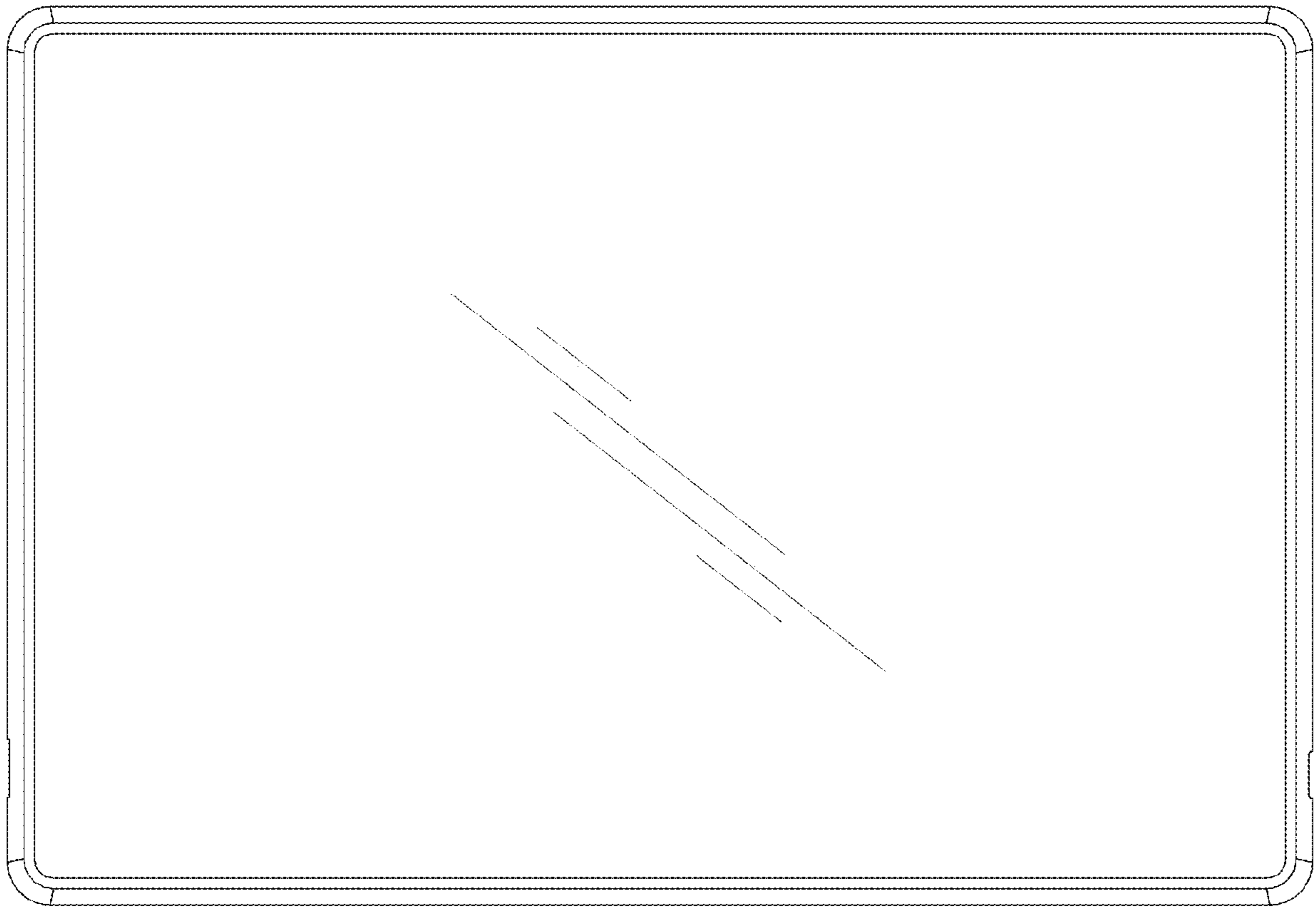


FIG. 3

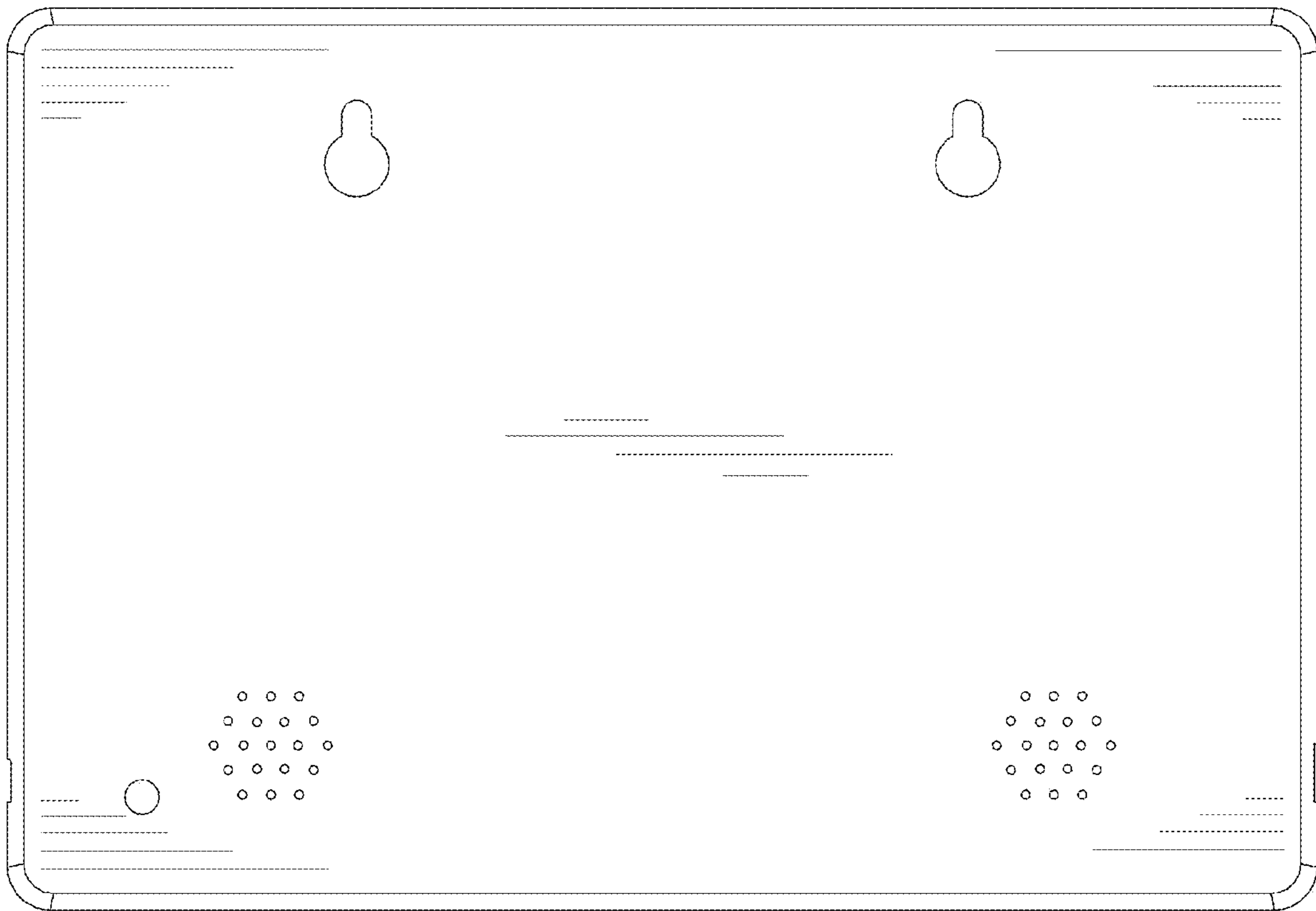


FIG. 4

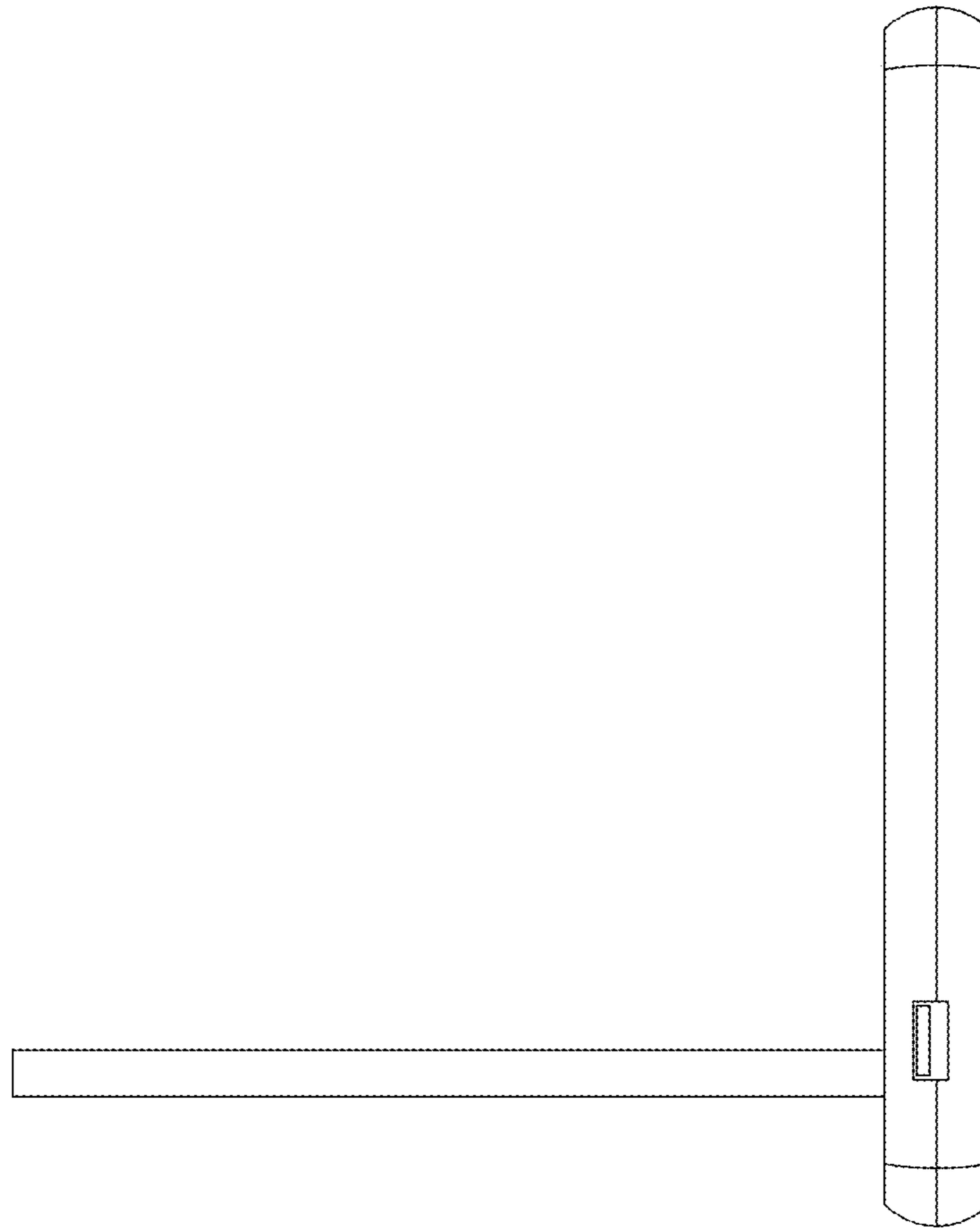


FIG. 5

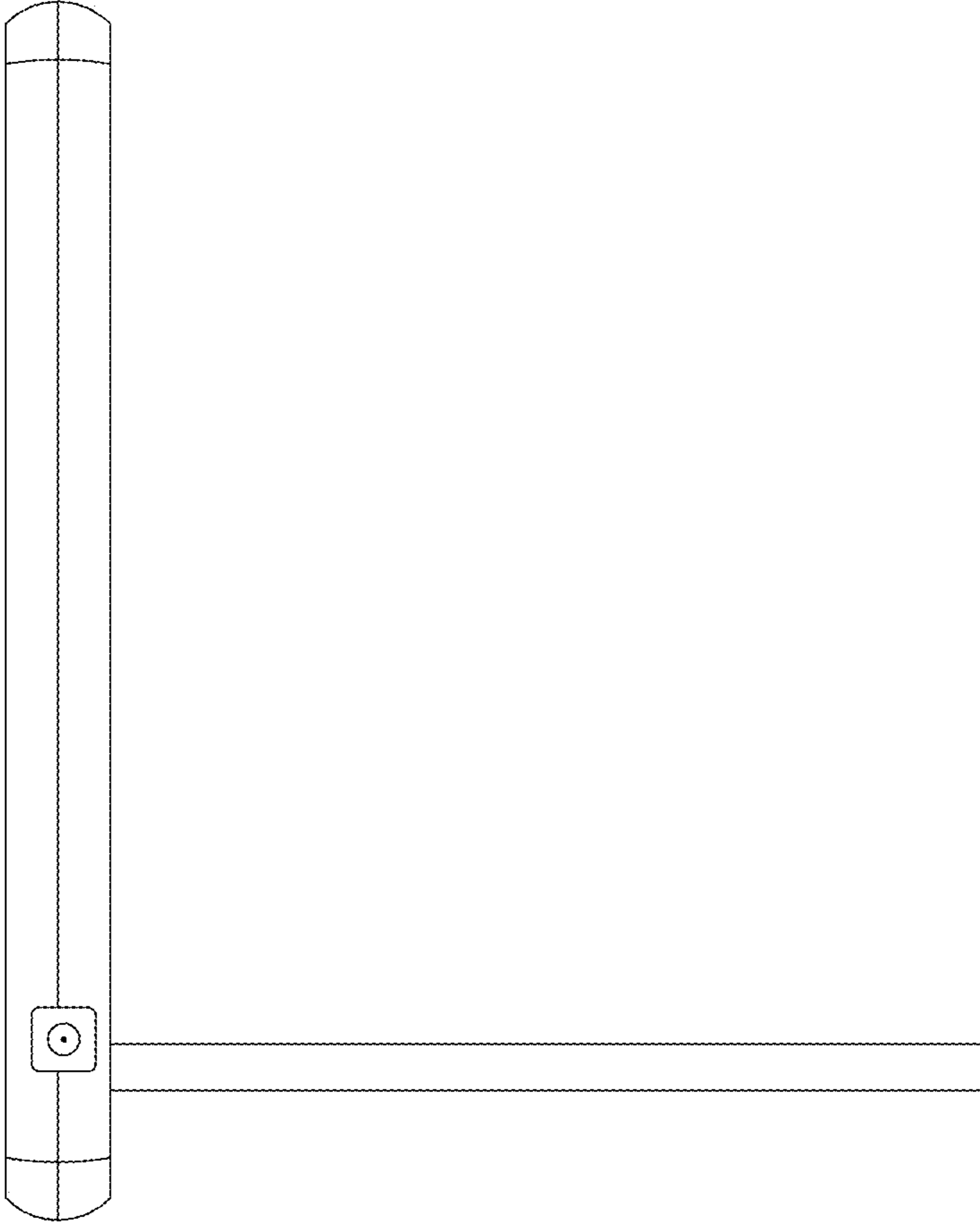


FIG. 6



FIG. 7





FIG. 8