



US00D905966S

(12) **United States Design Patent** (10) **Patent No.:** **US D905,966 S**
Wen (45) **Date of Patent:** **** Dec. 29, 2020**

(54) **COMBINED TOILET BRUSH AND HOLDER**

D860,555 S * 9/2019 de Martrin-Donos
A47L 13/58
D32/14

(71) Applicant: **Jianping Wen**, Guangdong (CN)

D869,874 S 12/2019 Najimi

(72) Inventor: **Jianping Wen**, Guangdong (CN)

D878,058 S 3/2020 Luo

(**) Term: **15 Years**

2008/0156680 A1* 7/2008 Lai A47K 17/00
206/361
2012/0103839 A1* 5/2012 Sawalski A61L 2/23
206/207

(21) Appl. No.: **29/738,361**

* cited by examiner

(22) Filed: **Jun. 17, 2020**

Primary Examiner — Keli L Hill

(51) **LOC (12) Cl.** **04-01**

(74) *Attorney, Agent, or Firm* — ScienBiziP, P.C.

(52) **U.S. Cl.**

USPC **D4/116**; D4/128; D6/551; D32/14

(58) **Field of Classification Search**

USPC D4/116–118, 121, 130, 132, 134, 138;
D32/35, 40–42, 46, 49, 51, 52, 14;
D6/551

CPC .. A46B 3/18; A46B 5/00; A46B 9/021; A46B
11/00; A46B 11/0003; A46B 2200/1053;
A45D 40/26; A45D 40/265

See application file for complete search history.

(57) **CLAIM**

The ornamental design for a combined toilet brush and holder, as shown and described.

DESCRIPTION

FIG. 1 is a front and top perspective view of a toilet brush combined toilet brush and holder, showing my design.

FIG. 2 is a back and bottom perspective view thereof.

FIG. 3 is a front elevation view thereof.

FIG. 4 is a rear elevation view thereof.

FIG. 5 is a left side elevation view thereof.

FIG. 6 is a right side elevation view thereof.

FIG. 7 is a top plan view thereof.

FIG. 8 is a bottom plan view thereof.

FIG. 9 is a perspective view of the combined toilet brush and holder in FIG. 1 with a shell.

FIG. 10 is a perspective view of the combined toilet brush and holder in FIG. 1 with another shell; and,

FIG. 11 is a perspective view of the combined toilet brush and holder in FIG. 10 with the brush out of the shell as shown in FIG. 10.

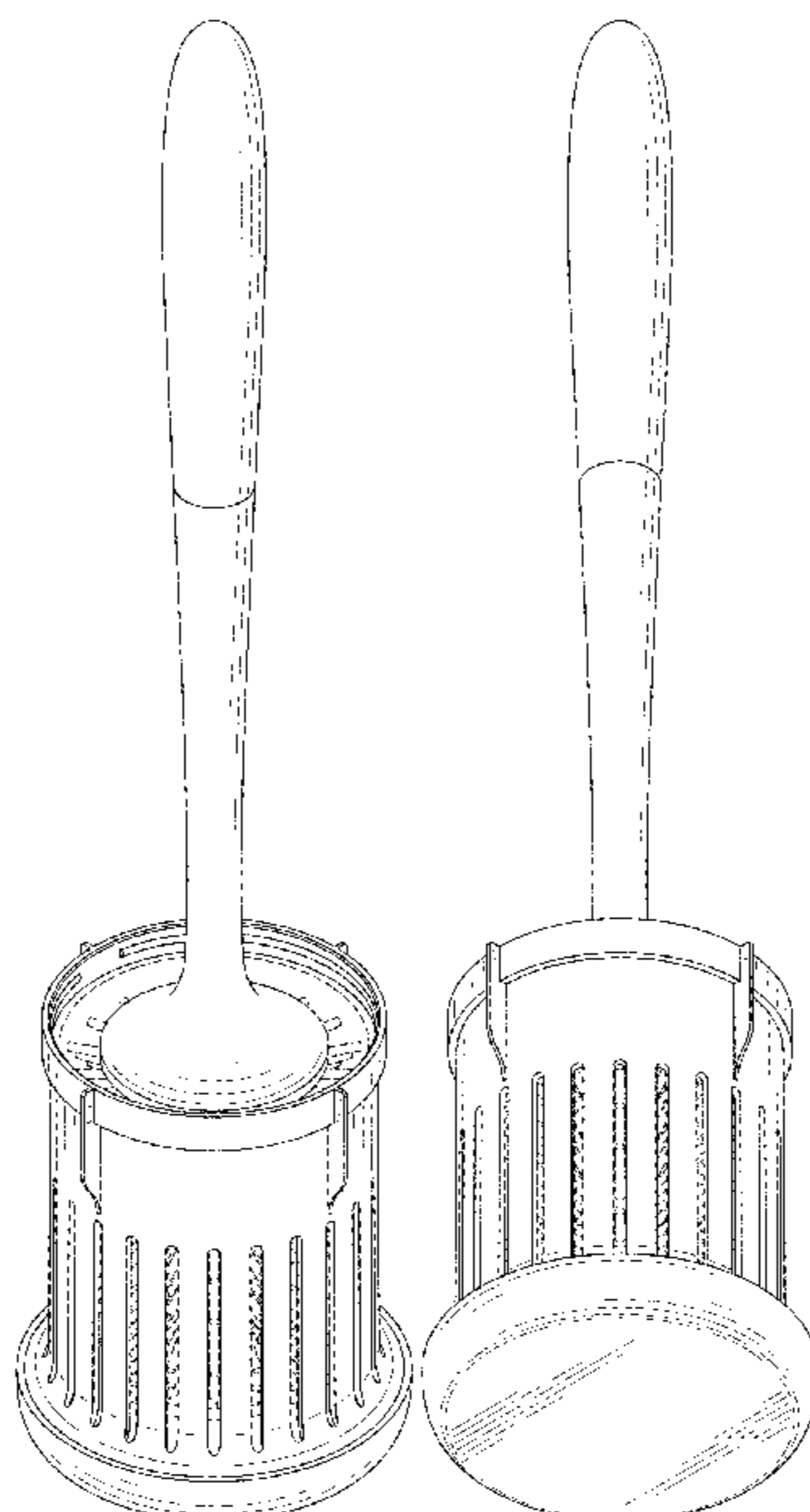
The broken lines shown are included for the purpose of illustrating portions of the combined toilet brush and holder that form no part of the claim.

(56) **References Cited**

U.S. PATENT DOCUMENTS

- D266,035 S * 9/1982 Thompson A61L 2/23
D4/128
- D281,743 S * 12/1985 Thompson A47K 17/00
D4/121
- 4,751,763 A * 6/1988 Rose A47L 13/58
15/264
- D298,712 S * 11/1988 Mattei D6/551
- D315,989 S * 4/1991 Levien D32/40
- 5,890,588 A * 4/1999 Leonard A47K 11/10
206/15.3
- D509,961 S * 9/2005 Petersen-Rutten A47K 11/10
D4/121
- D576,801 S * 9/2008 Dretzka D4/116
- D598,200 S * 8/2009 DiAntonio D4/116
- D832,590 S 11/2018 Joseph

1 Claim, 11 Drawing Sheets



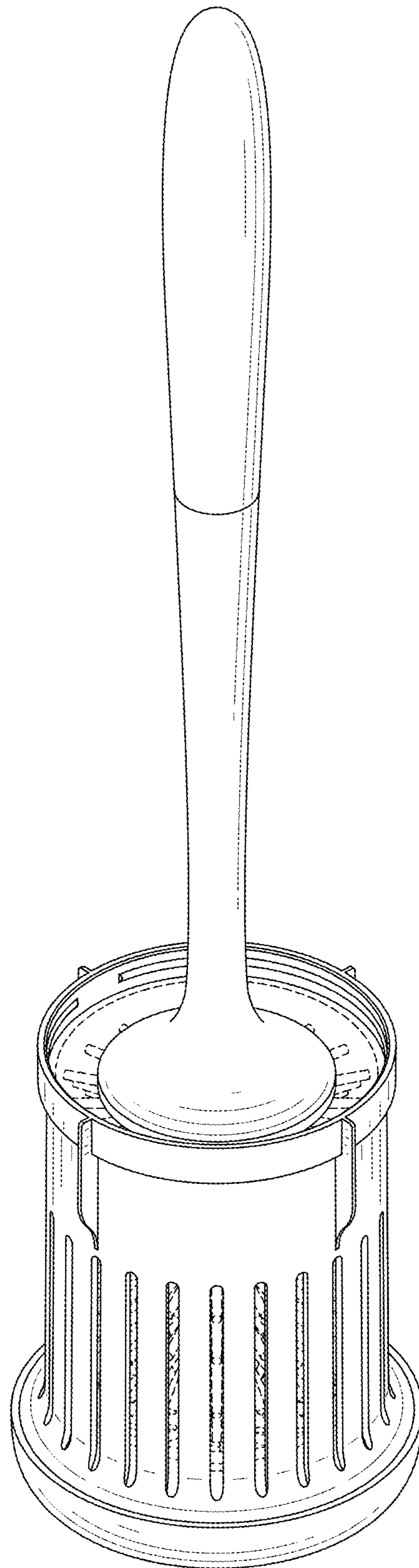


FIG. 1

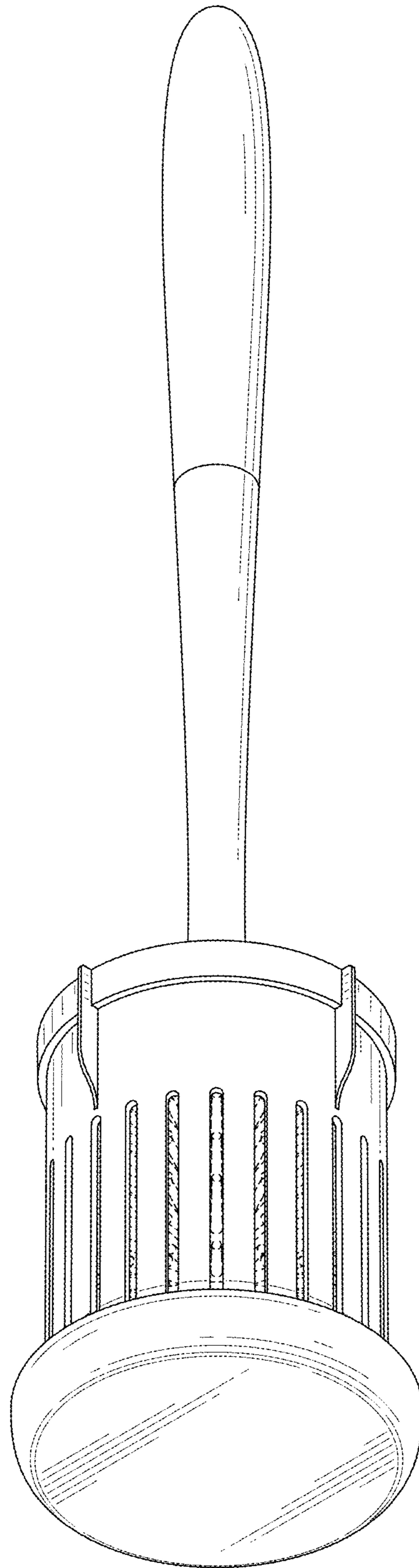


FIG. 2

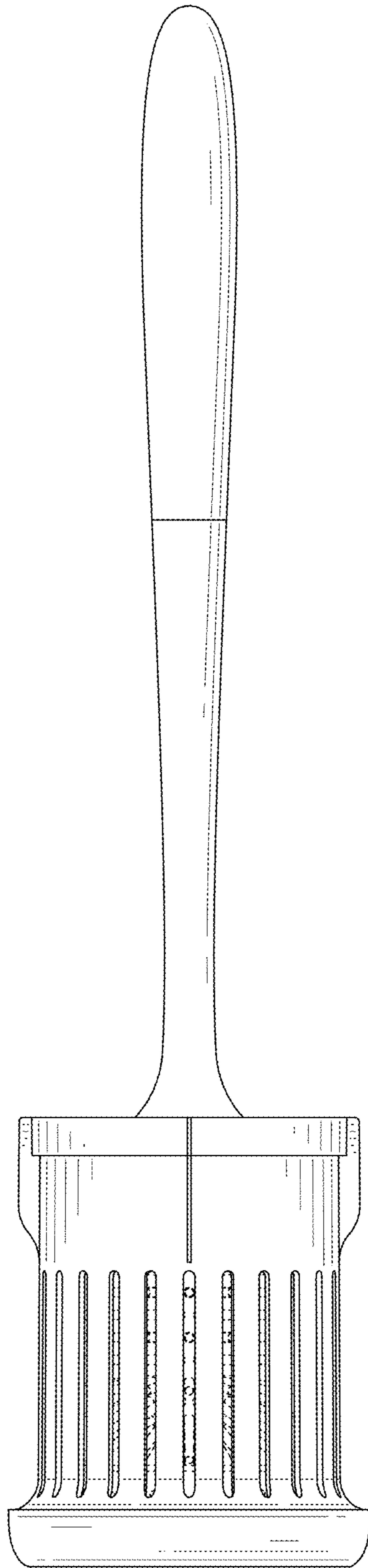


FIG. 3

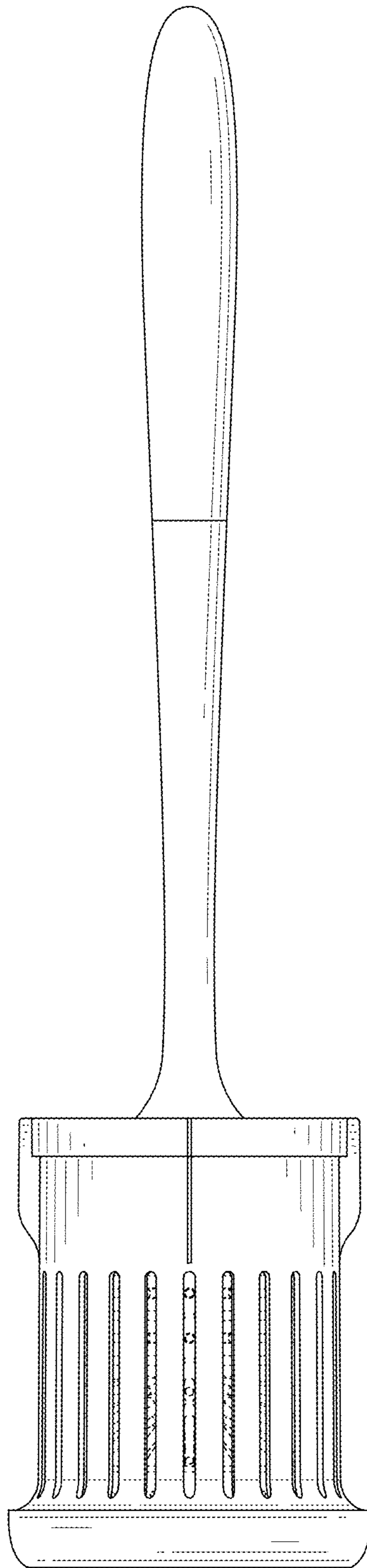


FIG. 4

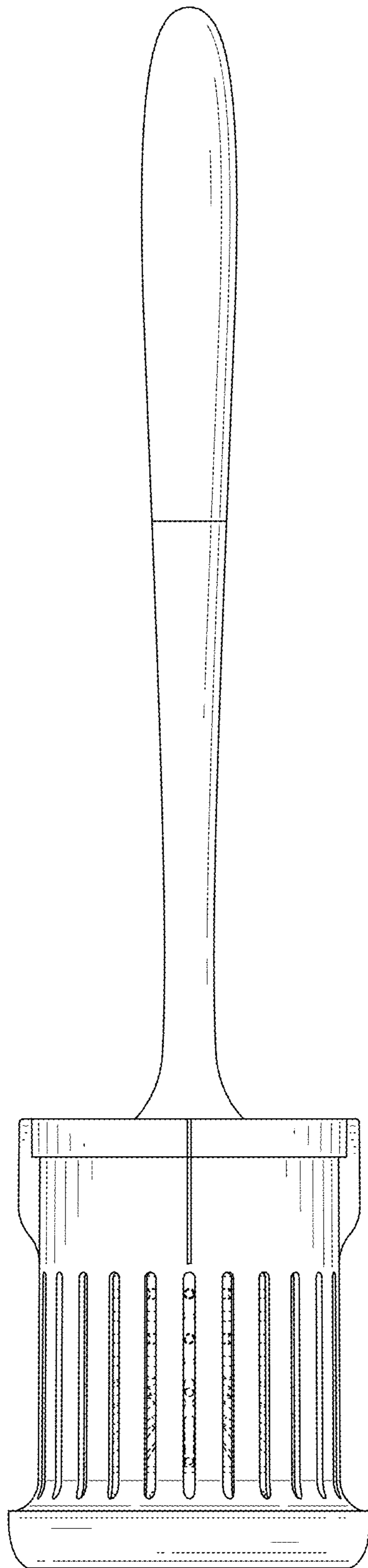


FIG. 5

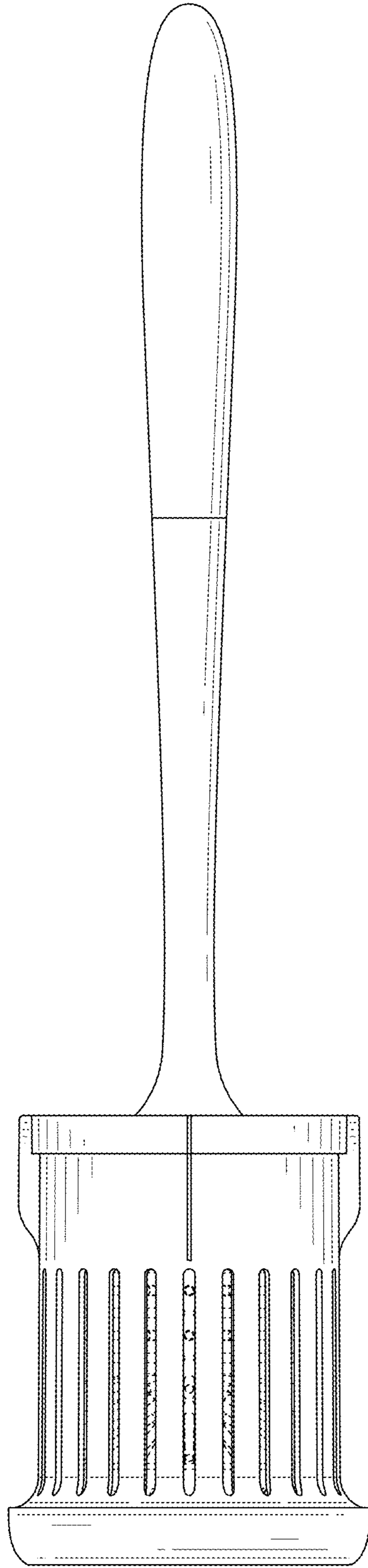


FIG. 6

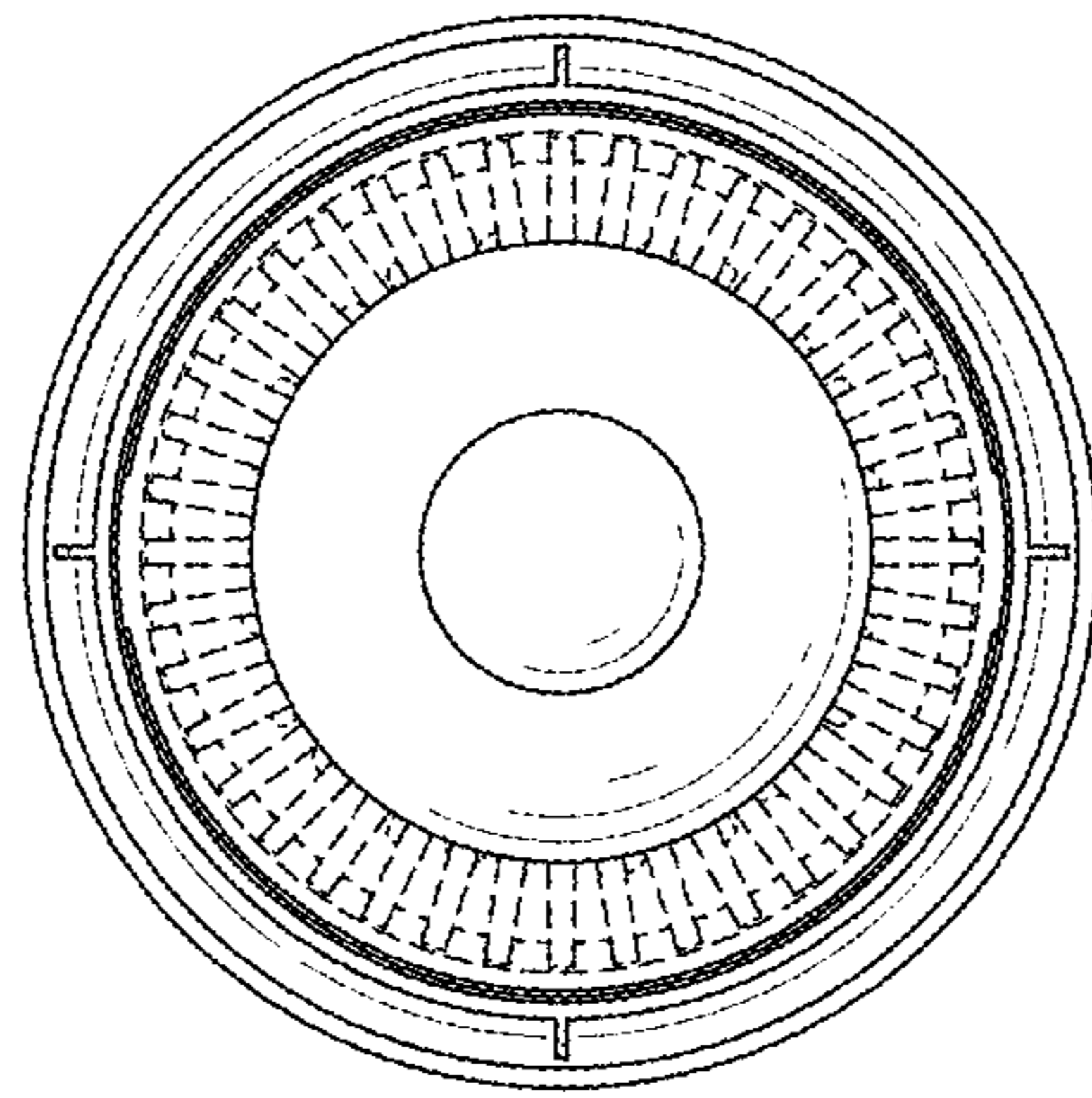


FIG. 7

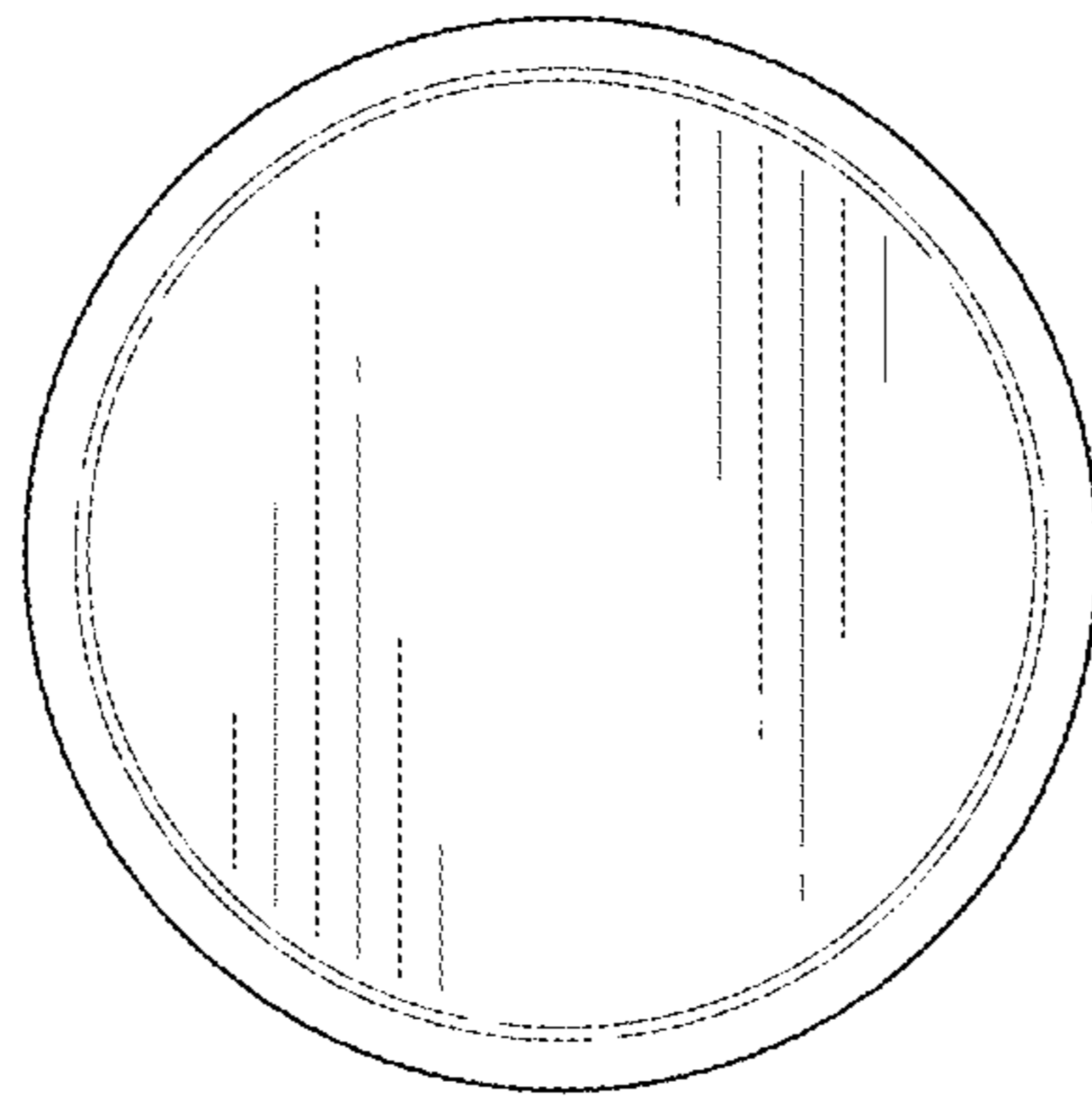


FIG. 8

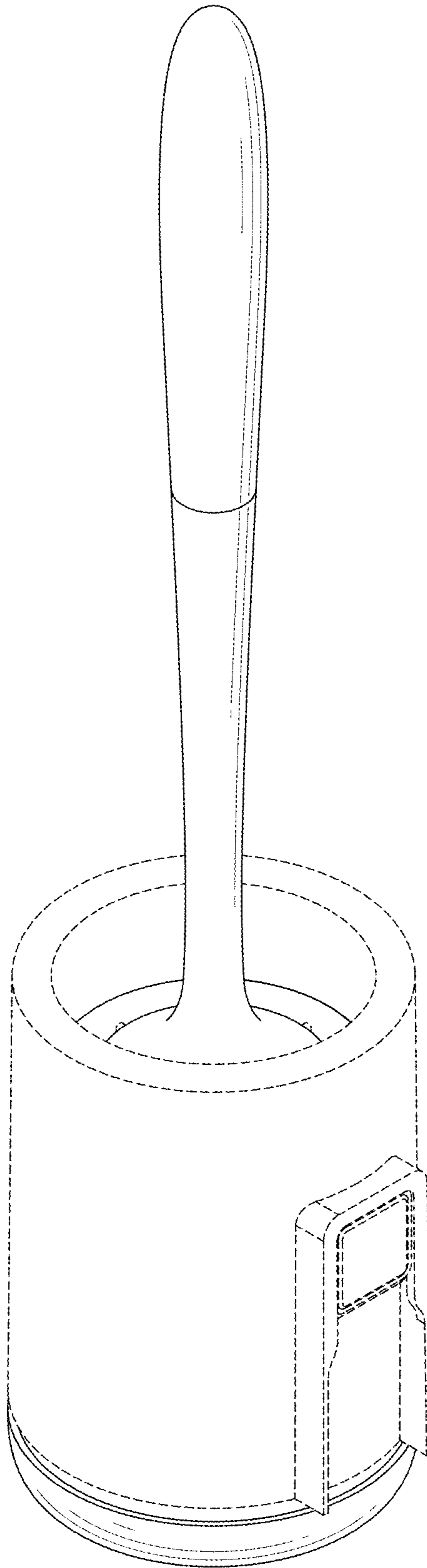


FIG. 9

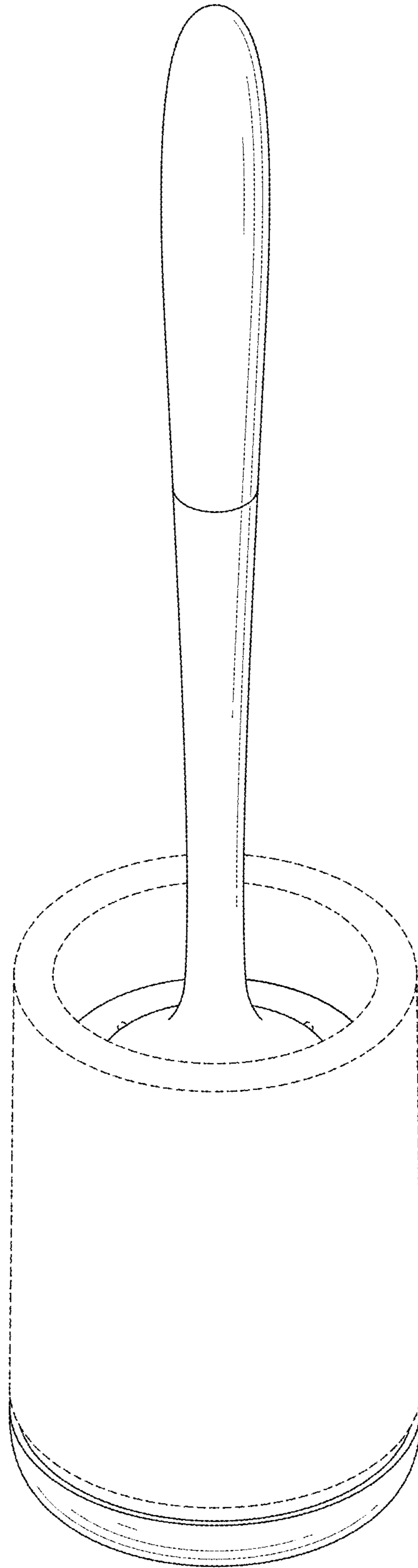


FIG. 10

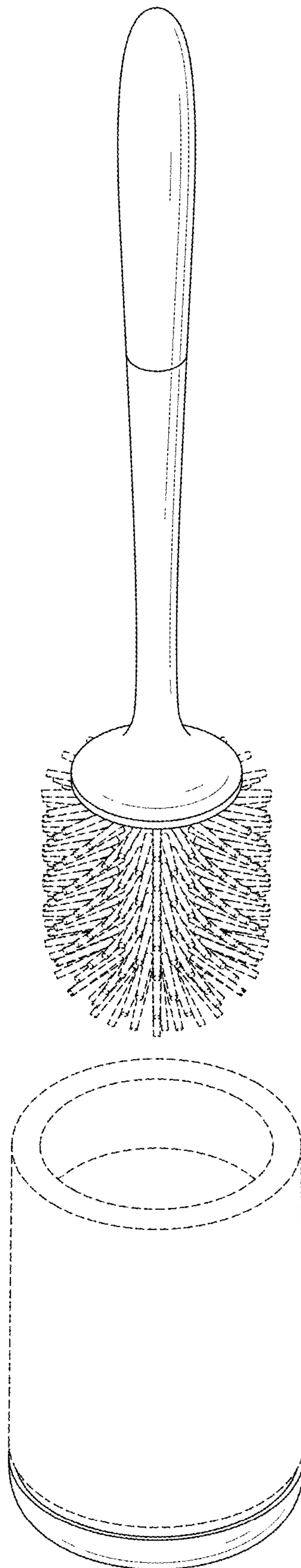


FIG. 11