



US00D905962S

(12) **United States Design Patent** (10) **Patent No.:** **US D905,962 S**  
**Kiefiuk et al.** (45) **Date of Patent:** **\*\* Dec. 29, 2020**

(54) **CASE**

(71) Applicant: **Apple Inc.**, Cupertino, CA (US)  
(72) Inventors: **Kelsey M. Kiefiuk**, Culver City, CA (US); **Teresa Y. Yen**, Arcadia, CA (US); **Shannon M. McGrath**, Los Angeles, CA (US); **Megan J. Burmeister**, Manhattan Beach, CA (US); **Bart Jansen**, Brooklyn, NY (US); **Hamish Thain**, New York, NY (US); **Michael Rodriguez**, Brooklyn, NY (US)

(73) Assignee: **Apple Inc.**, Cupertino, CA (US)

(\*\*) Term: **15 Years**

(21) Appl. No.: **29/705,052**

(22) Filed: **Sep. 9, 2019**

(51) **LOC (12) Cl.** ..... **03-01**

(52) **U.S. Cl.**  
USPC ..... **D3/294**

(58) **Field of Classification Search**  
USPC ..... D3/273, 276, 279, 281, 282, 284, 288, D3/291, 292, 294, 295, 297, 298, 302, D3/901, 905  
CPC ..... B25H 3/02-028; B25H 3/00; B25H 3/003  
See application file for complete search history.

(56) **References Cited**

**U.S. PATENT DOCUMENTS**

D279,145 S *	6/1985	Lippe	.....	D3/294
D531,025 S *	10/2006	Tanner	.....	D9/426
D601,884 S	10/2009	Andre et al.		
D616,738 S	6/2010	Andre et al.		
D632,079 S *	2/2011	Spencer	.....	D3/301
D659,998 S *	5/2012	Austin	.....	D3/301
D703,953 S *	5/2014	Jusic	.....	D3/294
D705,049 S	5/2014	Akana et al.		
D706,643 S	6/2014	Akana et al.		
D712,144 S *	9/2014	Albanese	.....	D3/301

(Continued)

**FOREIGN PATENT DOCUMENTS**

EP 003757202-0001 5/2017  
EP 003757202-0002 5/2017

**OTHER PUBLICATIONS**

New Beats Studio 3 Wireless: Unboxing and first impressions! [iMore], by iMore, YouTube [online], dated Oct. 6, 2017. Retrieved from the Internet <URL: <https://www.youtube.com/watch?v=2bchXDvb6Fk>>.

*Primary Examiner* — Holly E Thurman

(74) *Attorney, Agent, or Firm* — Sterne, Kessler, Goldstein & Fox P.L.L.C.

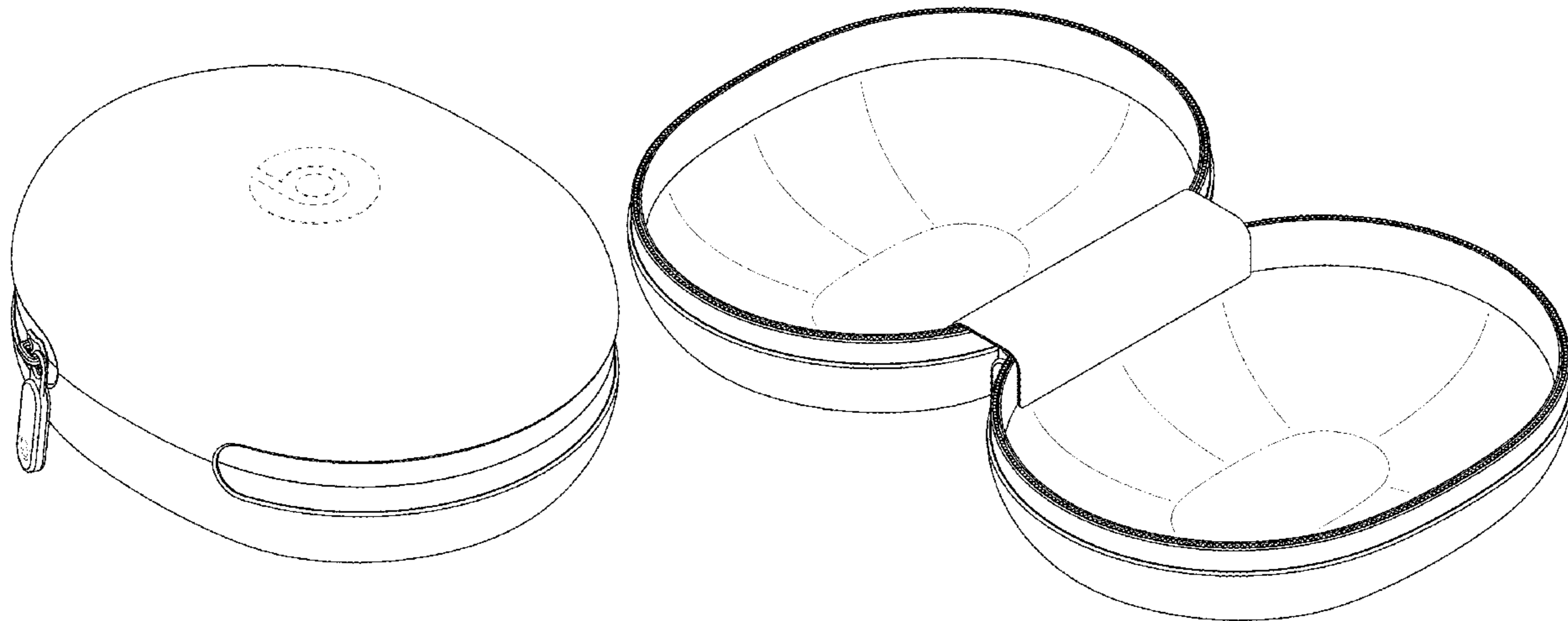
(57) **CLAIM**

The ornamental design for a case, as shown and described.

**DESCRIPTION**

FIG. 1 is a bottom front right perspective view of a case showing the claimed design in a closed configuration; FIG. 2 is a bottom front left perspective view thereof; FIG. 3 is a top front left perspective view thereof; FIG. 4 is a top front right perspective view thereof; FIG. 5 is a right side view thereof; FIG. 6 is a left side view thereof; FIG. 7 is a bottom view thereof; FIG. 8 is a top view thereof; FIG. 9 is a front view thereof; FIG. 10 is a rear view thereof; FIG. 11 is a top front left perspective view of the case in an open configuration; FIG. 12 is a front view thereof; and, FIG. 13 is a rear view thereof. The broken lines in the figures show portions of the case that form no part of the claimed design.

**1 Claim, 11 Drawing Sheets**



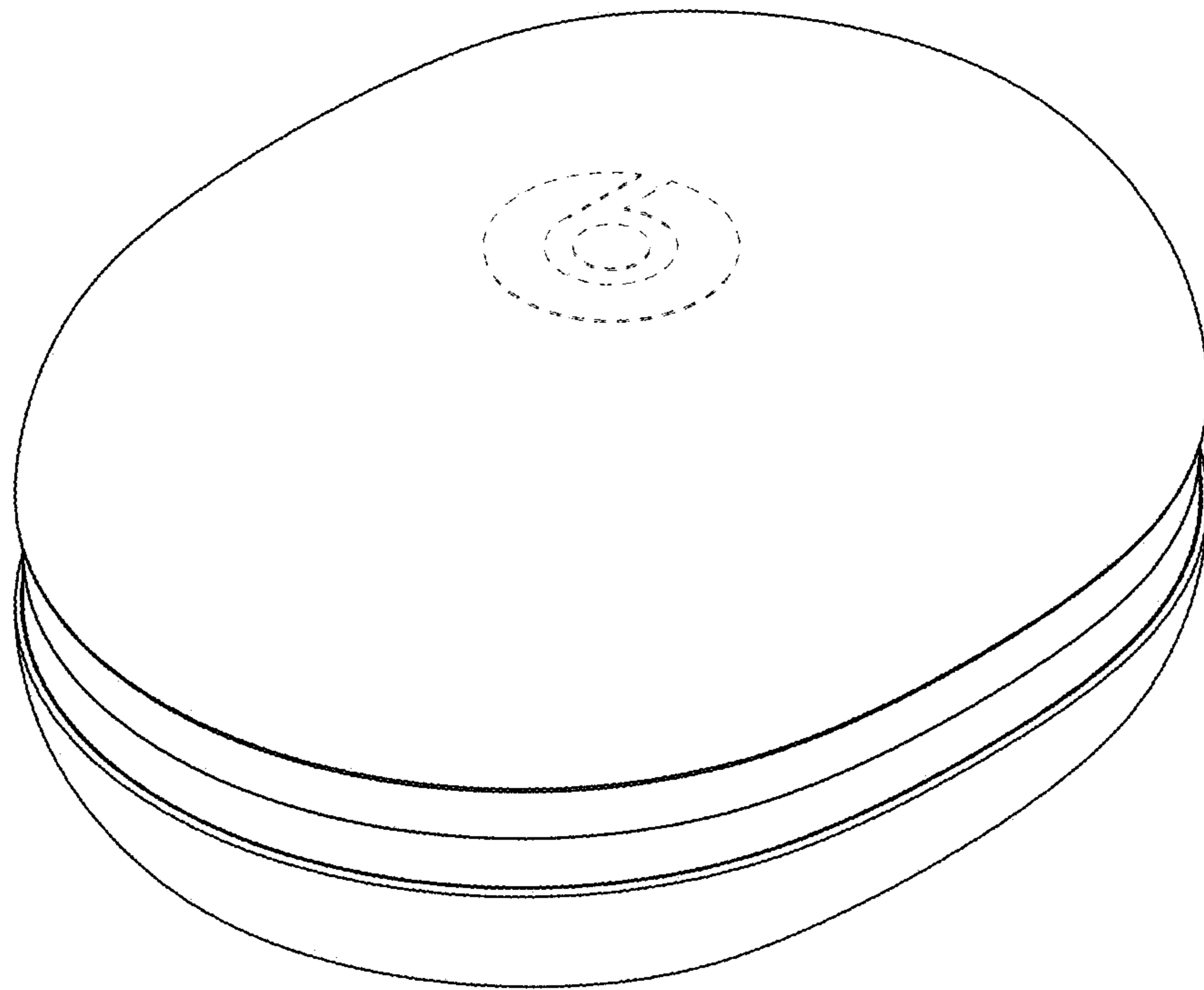
(56)

**References Cited**

U.S. PATENT DOCUMENTS

D727,622 S *	4/2015	Hile .....	D3/294
D738,110 S *	9/2015	Jiang .....	D3/294
D739,657 S *	9/2015	Hsieh .....	D3/319
D764,285 S	8/2016	Akana et al.	
D764,910 S	8/2016	Akana et al.	
D765,975 S *	9/2016	Hoofnagle .....	D3/301
D779,202 S *	2/2017	Xia .....	D3/289
D781,051 S *	3/2017	Leopardi .....	D3/232
D832,572 S *	11/2018	Bae .....	D3/201
D846,264 S *	4/2019	Wu .....	D3/201
D879,461 S *	3/2020	Burts .....	D3/203.1

\* cited by examiner



**FIG. 1**

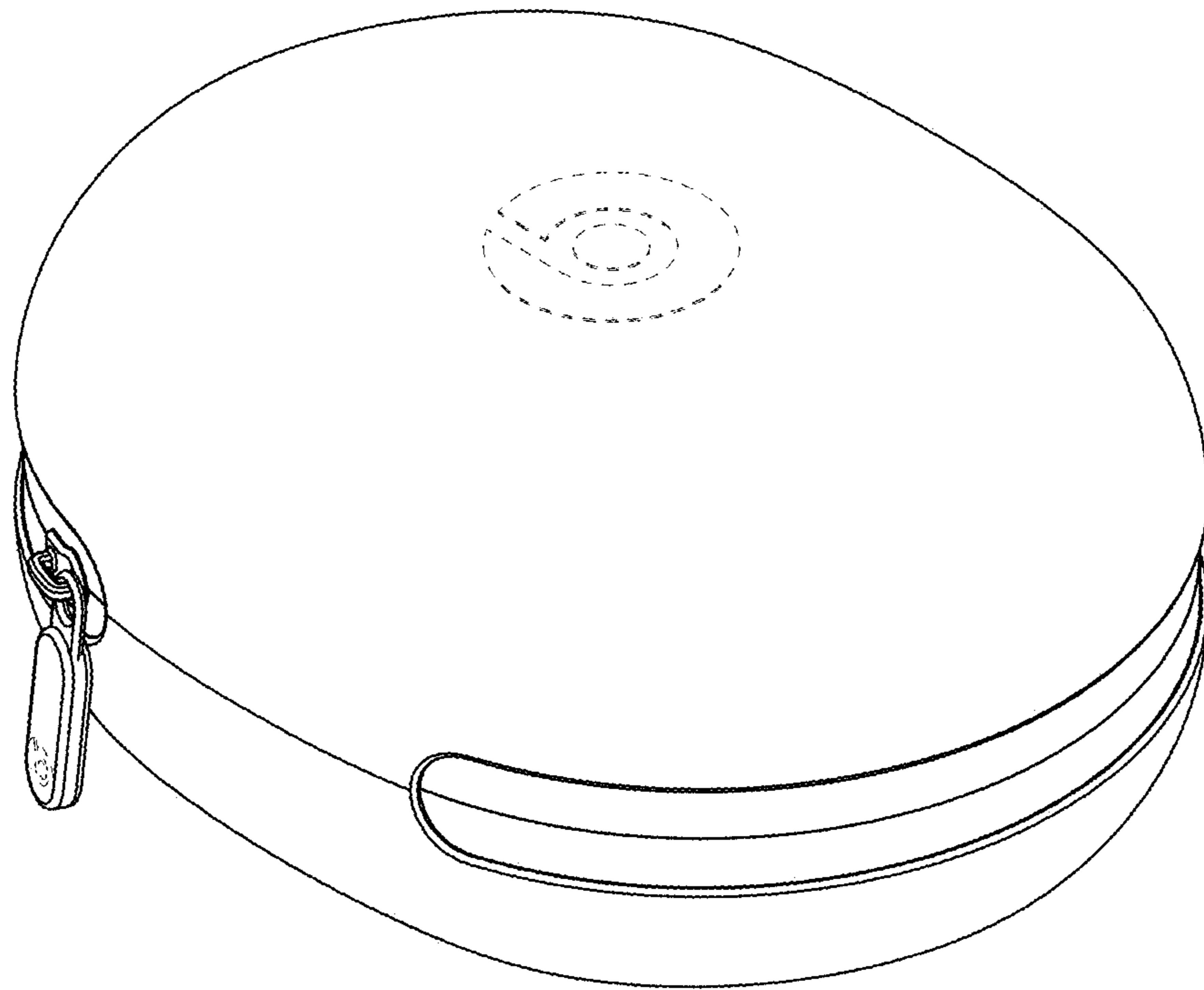
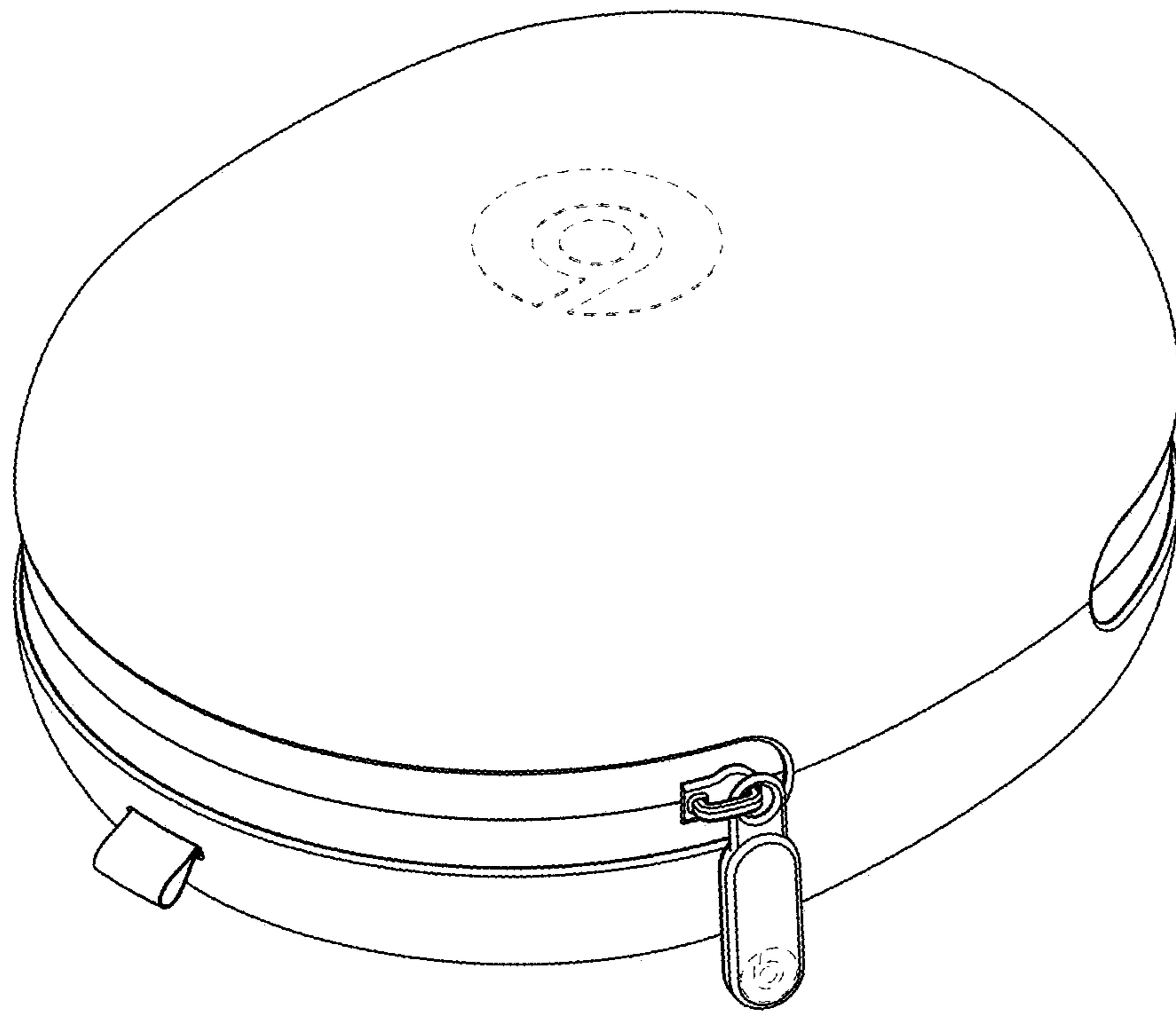
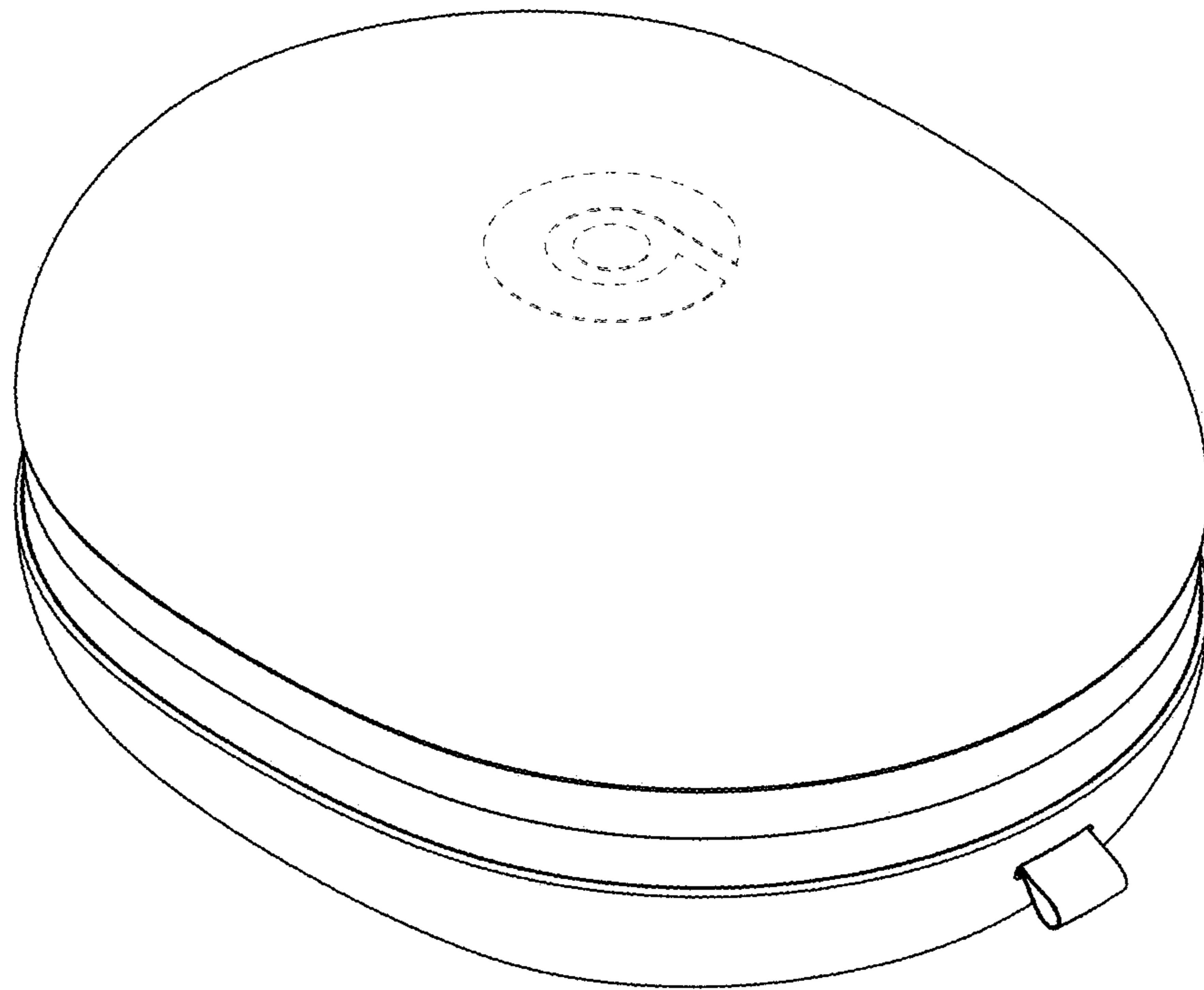


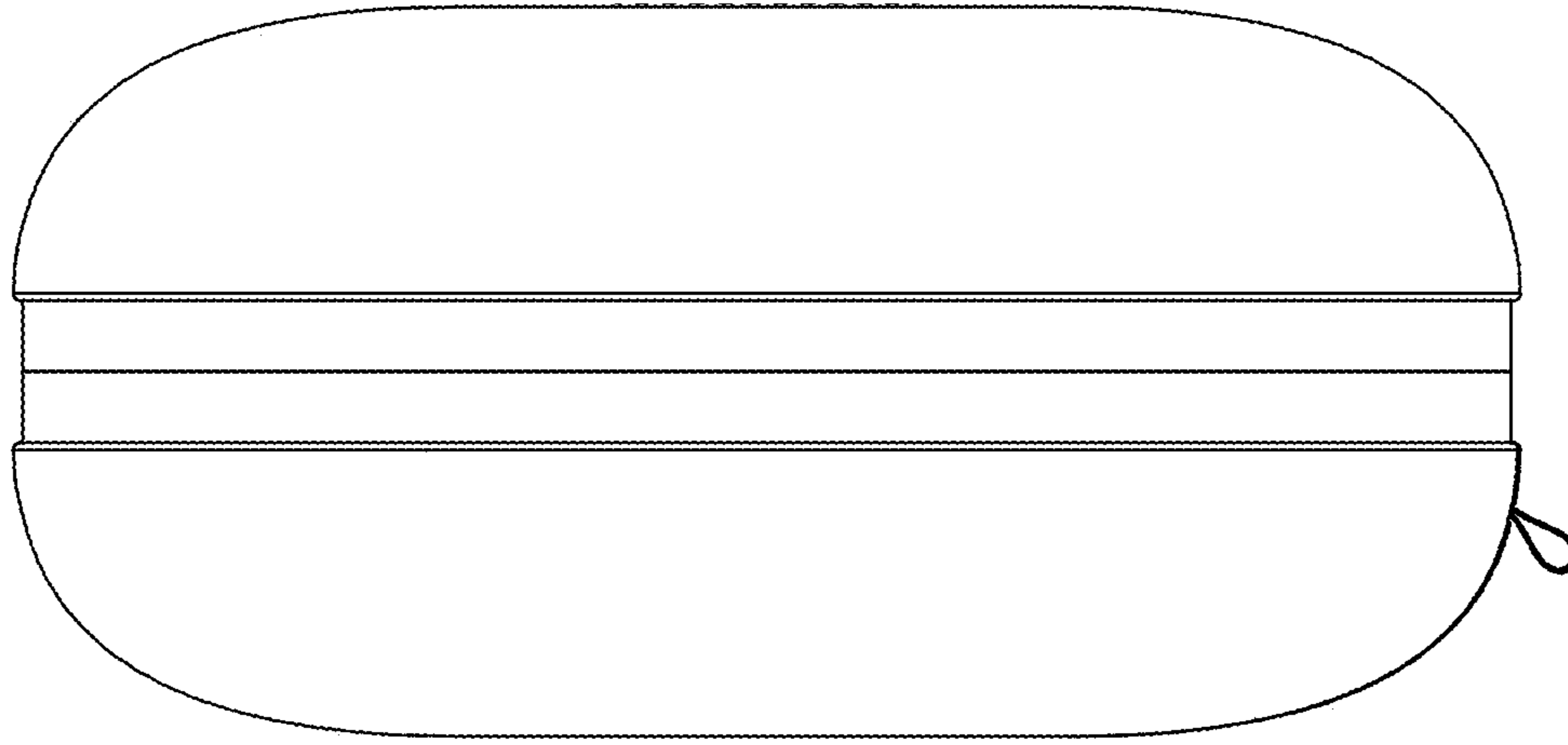
FIG. 2



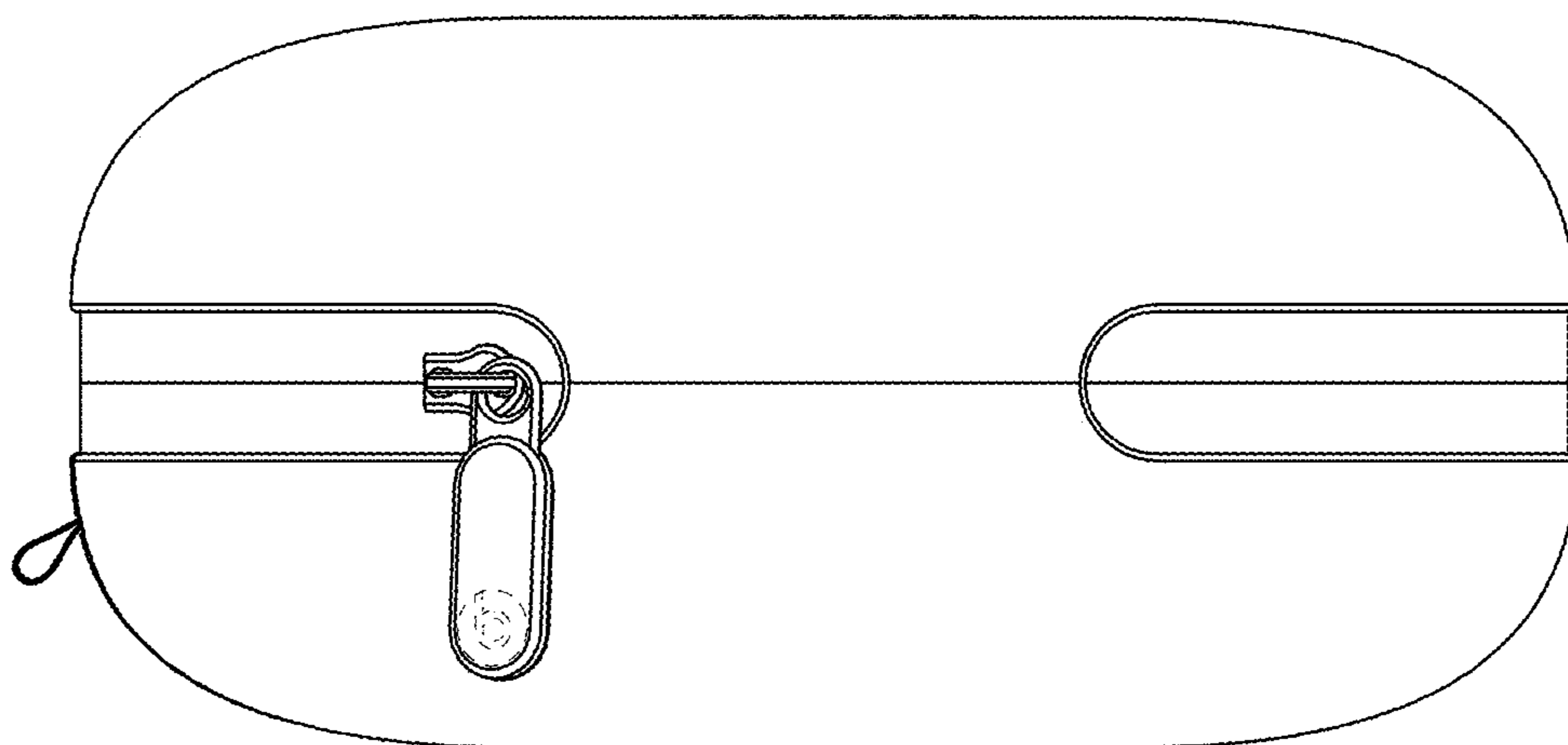
**FIG. 3**



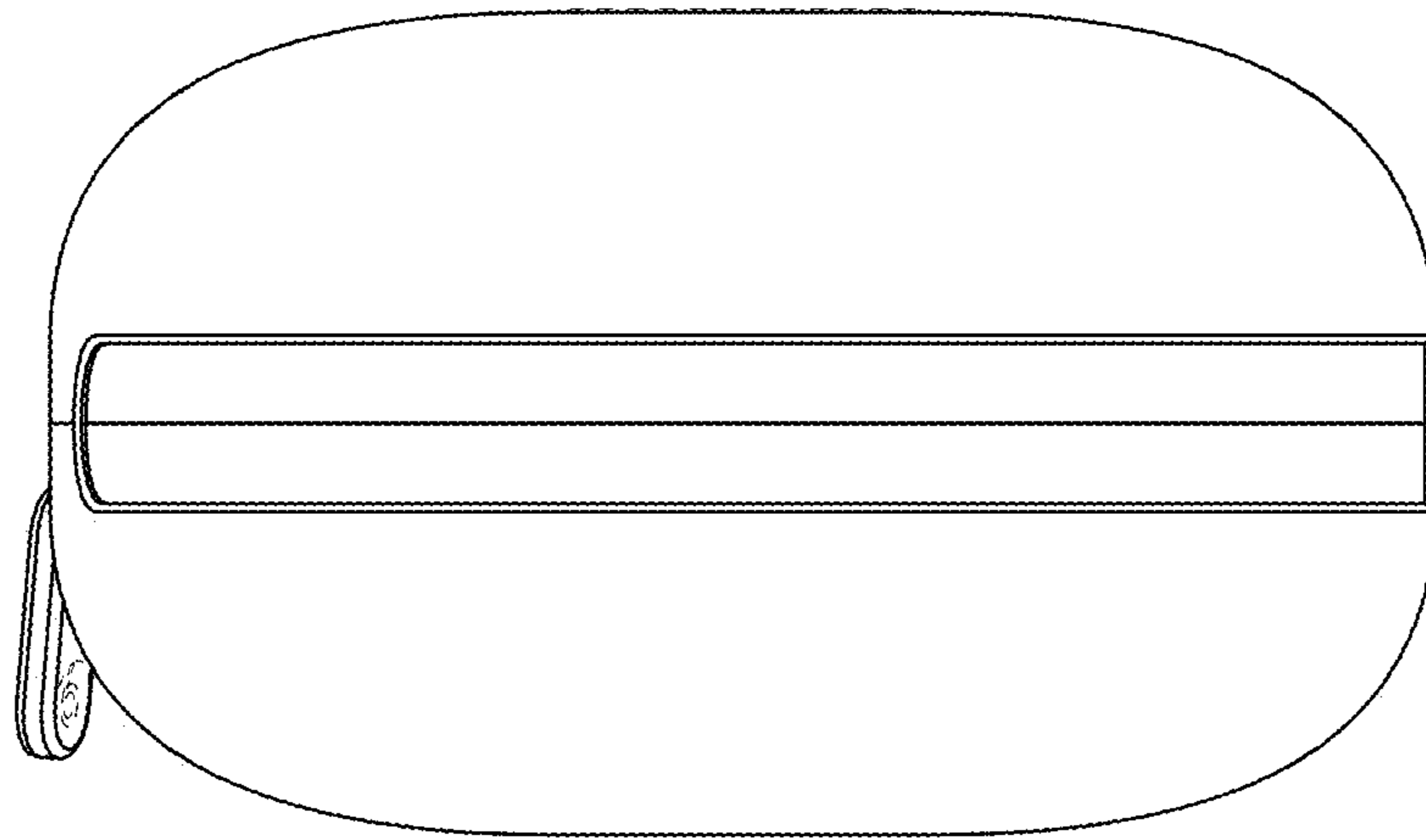
**FIG. 4**



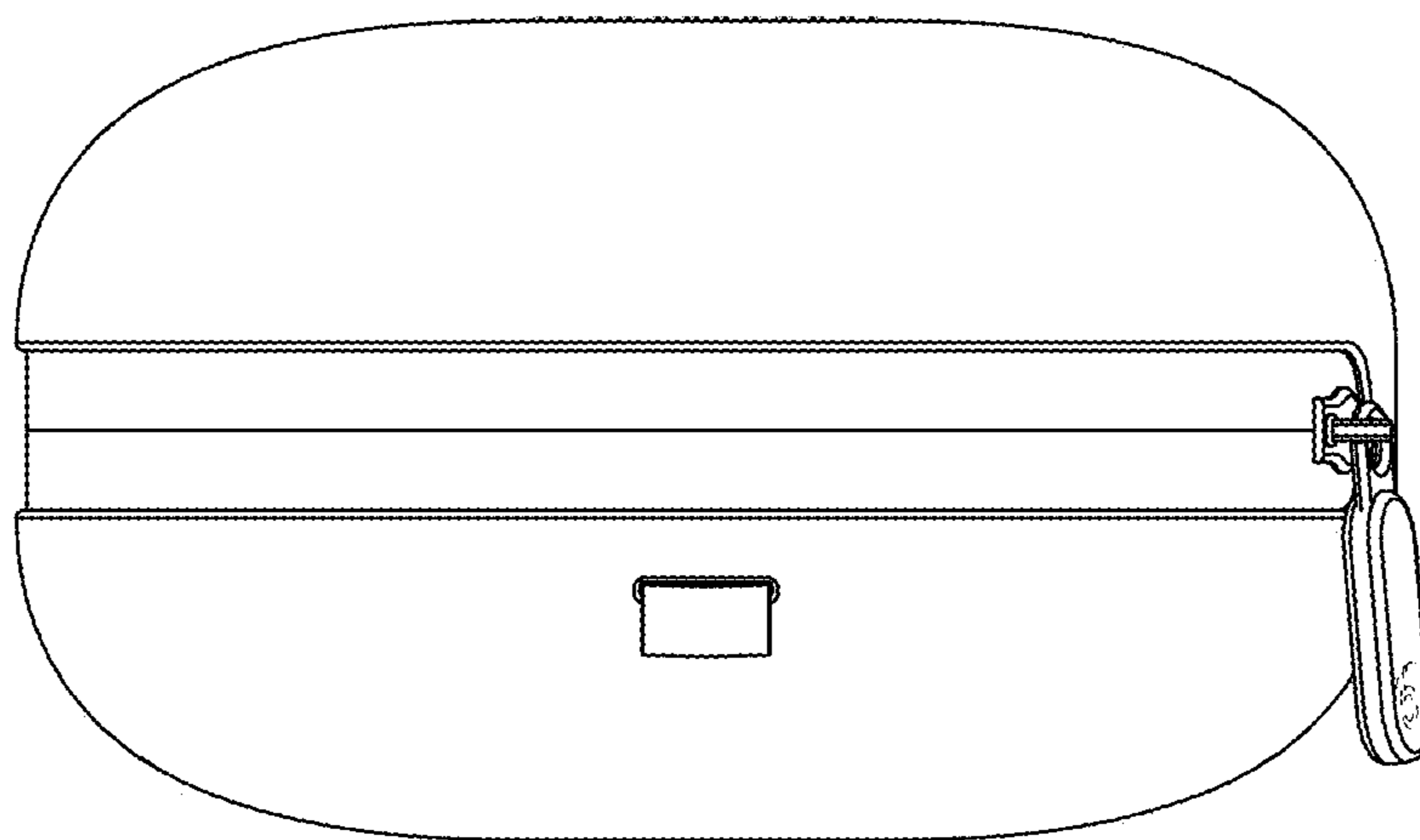
**FIG. 5**



**FIG. 6**

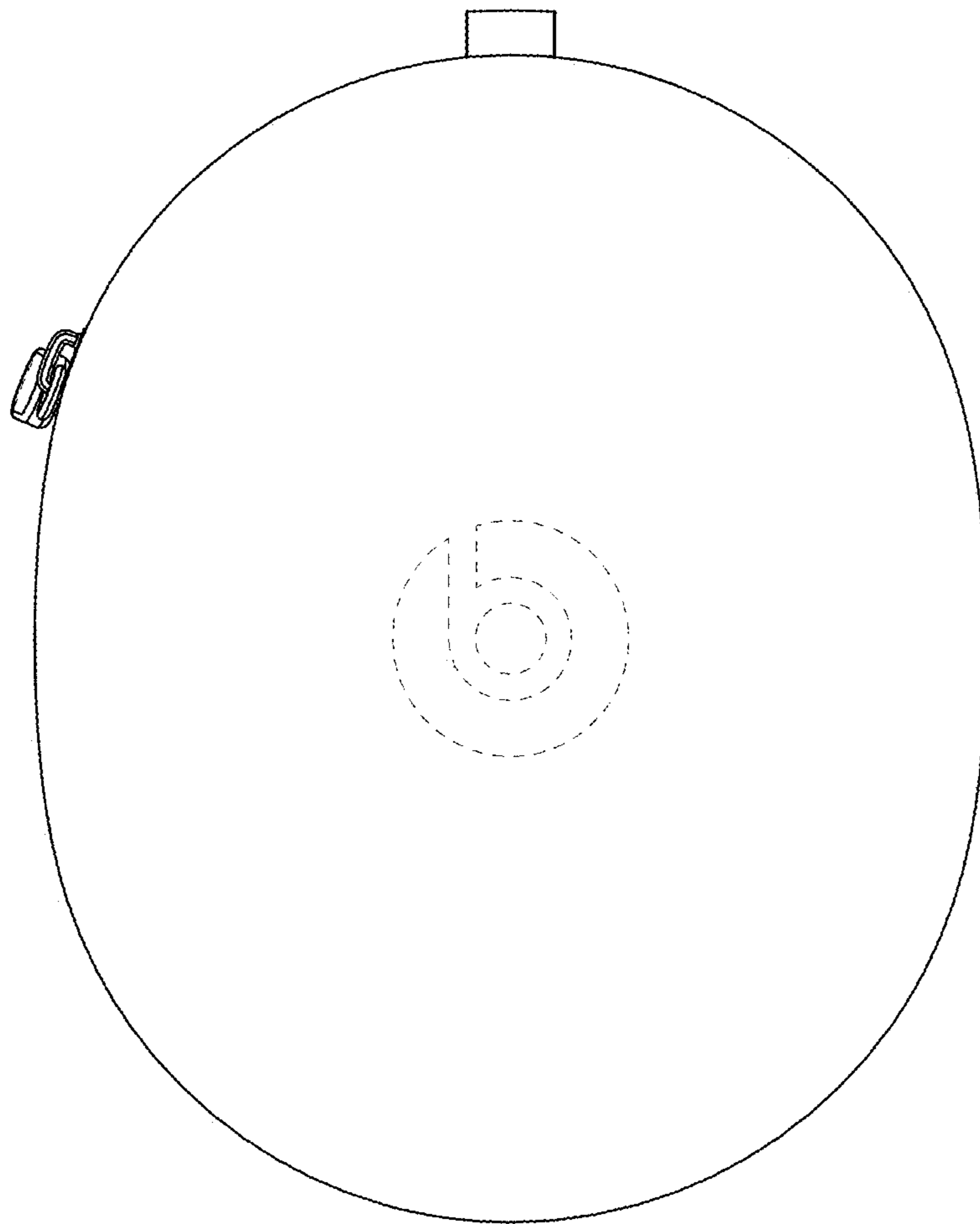


**FIG. 7**

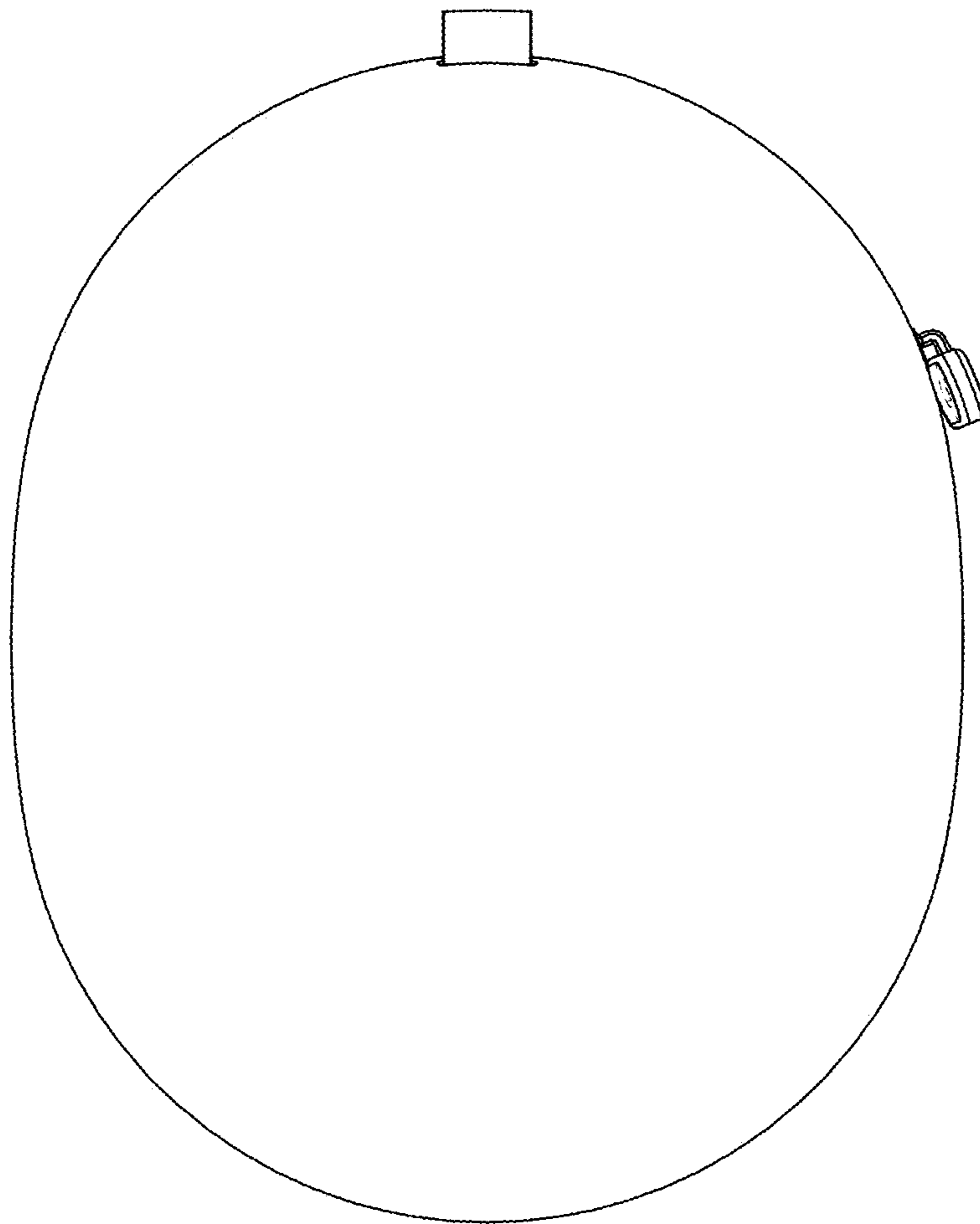


**FIG. 8**





**FIG. 9**



**FIG. 10**

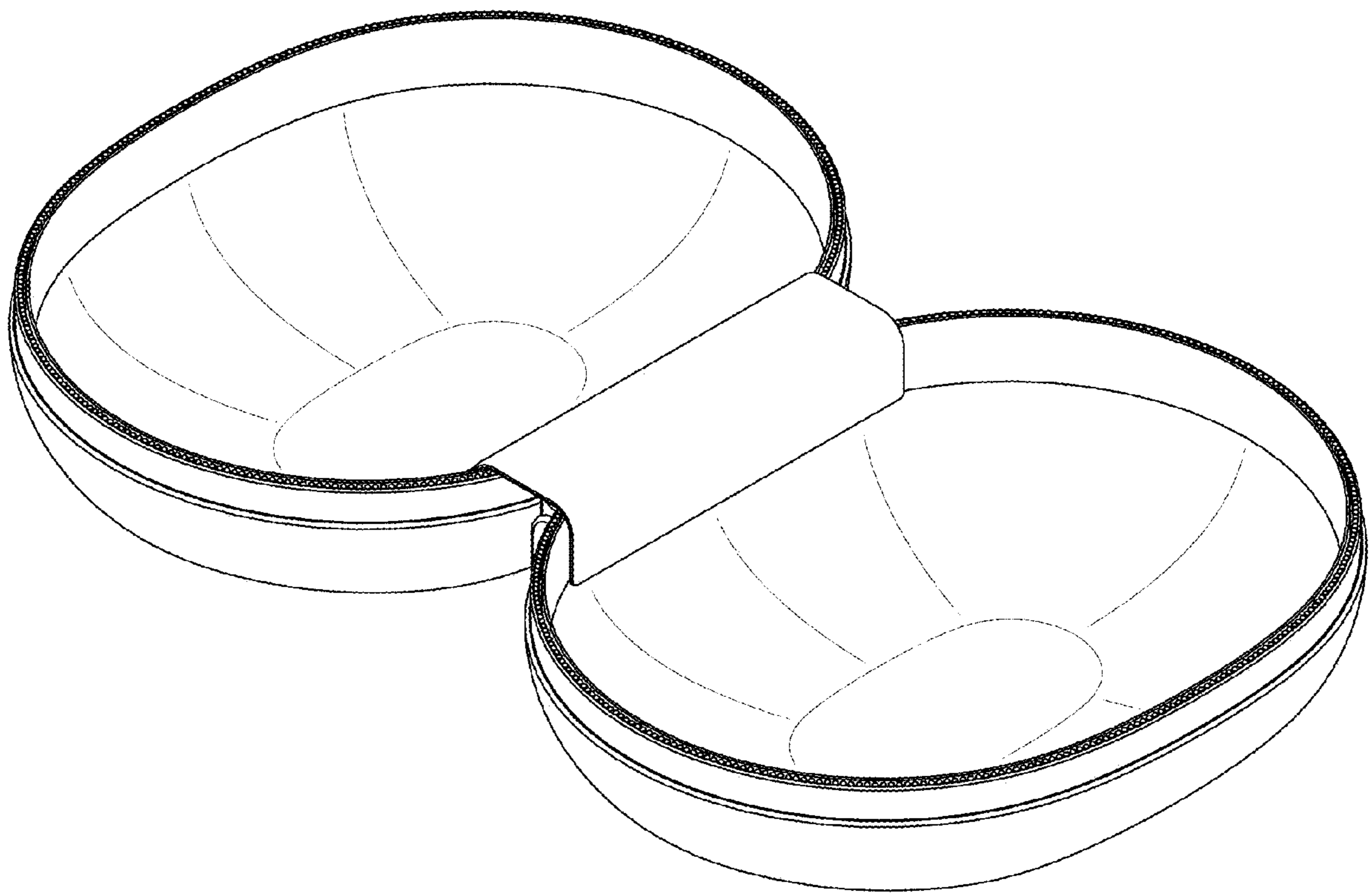


FIG. 11

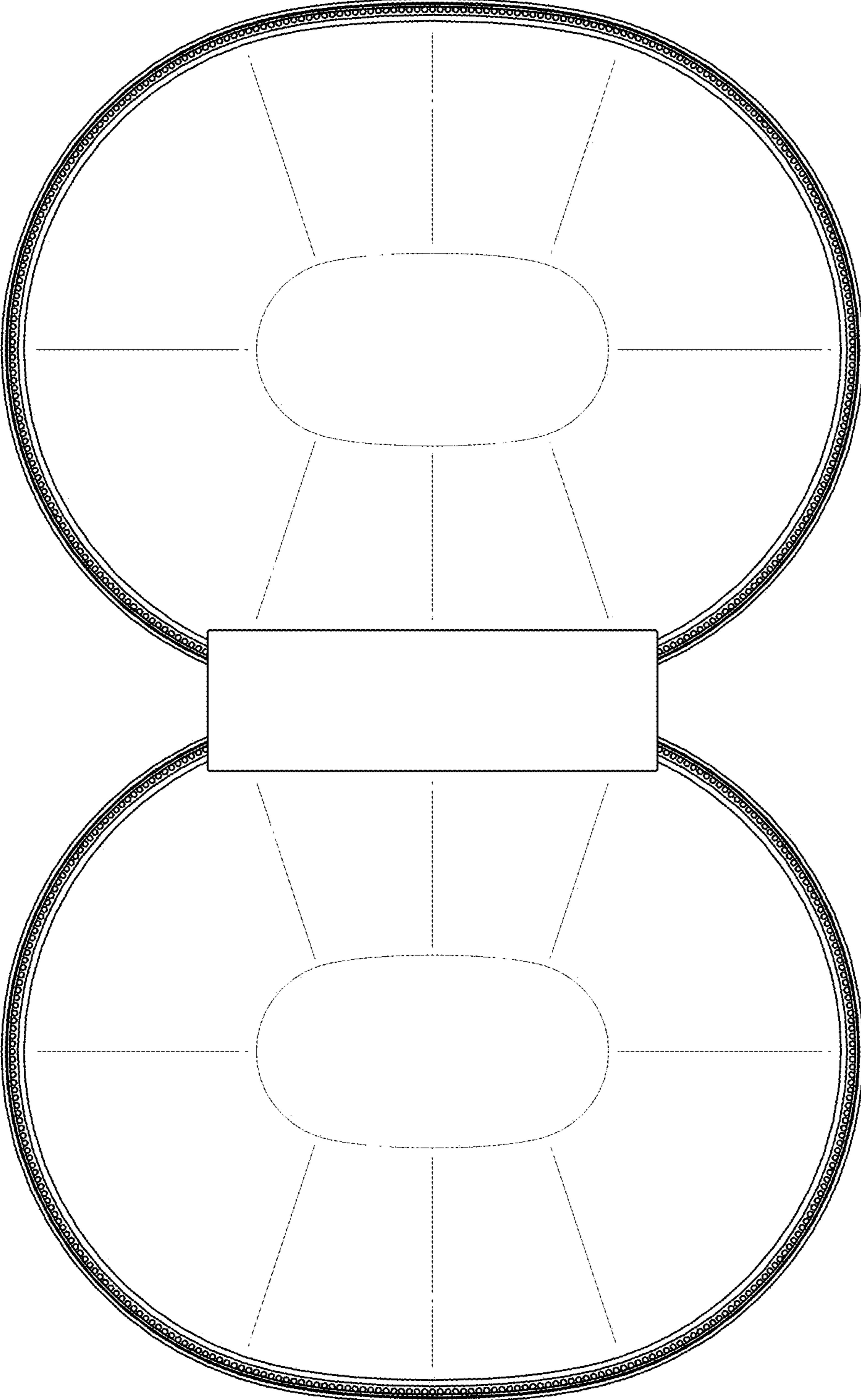


FIG. 12

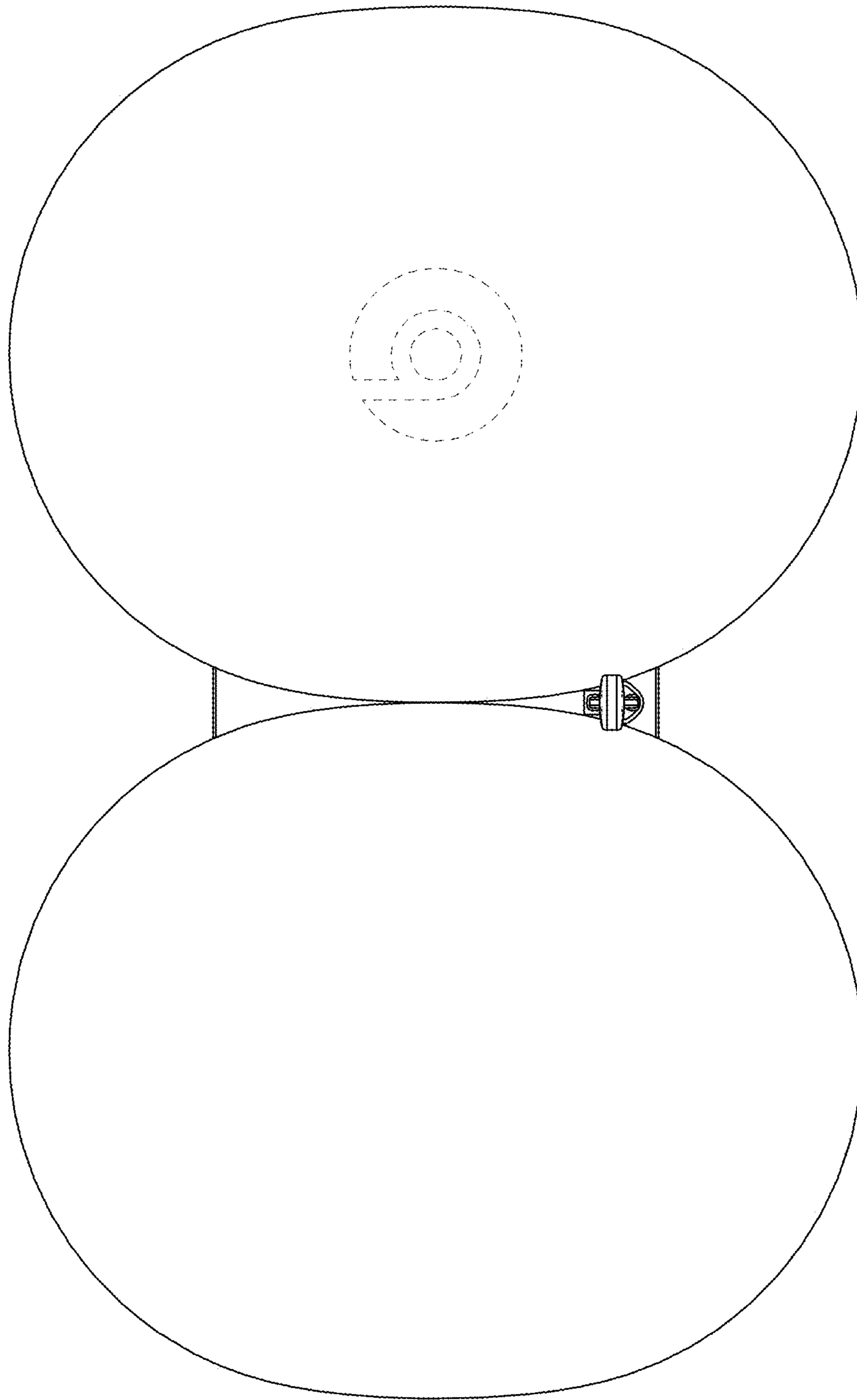


FIG. 13