



US00D905959S

(12) **United States Design Patent** (10) **Patent No.:** **US D905,959 S**  
**Lee** (45) **Date of Patent:** **\*\* Dec. 29, 2020**

(54) **HANDBAG**

(71) Applicant: **BOTTEGA VENETA S.R.L.**,  
Montebello Vicentino (IT)

(72) Inventor: **Daniel Harry Lee**, Milan (IT)

(73) Assignee: **BOTTEGA VENETA S.R.L.**,  
Montebello Vicentino (IT)

(\*\*) Term: **15 Years**

(21) Appl. No.: **29/697,685**

(22) Filed: **Jul. 10, 2019**

(30) **Foreign Application Priority Data**

Feb. 22, 2019 (WO) ..... DM/200845

(51) **LOC (12) Cl.** ..... **03-01**

(52) **U.S. Cl.**  
USPC ..... **D3/243**

(58) **Field of Classification Search**  
USPC ..... D3/232-233, 240-243, 245-246  
CPC ..... A45C 1/024; A45C 3/06; A45C 3/08  
See application file for complete search history.

(56) **References Cited**

U.S. PATENT DOCUMENTS

1,762,091 A \* 6/1930 Fisler ..... A45C 1/02  
150/112  
D811,738 S \* 3/2018 Dumas ..... D3/243  
D812,904 S \* 3/2018 Nair ..... D3/243

\* cited by examiner

*Primary Examiner* — Holly H Baynham

(74) *Attorney, Agent, or Firm* — Fross, Zelnick, Lehman  
& Zissu, PC; Charles T. J. Weigell, Esq.

(57) **CLAIM**

The ornamental design for a handbag, as shown and described.

**DESCRIPTION**

FIG. 1 is a perspective view of a handbag showing my new design;

FIG. 2 is a front view thereof;

FIG. 3 is a back view thereof;

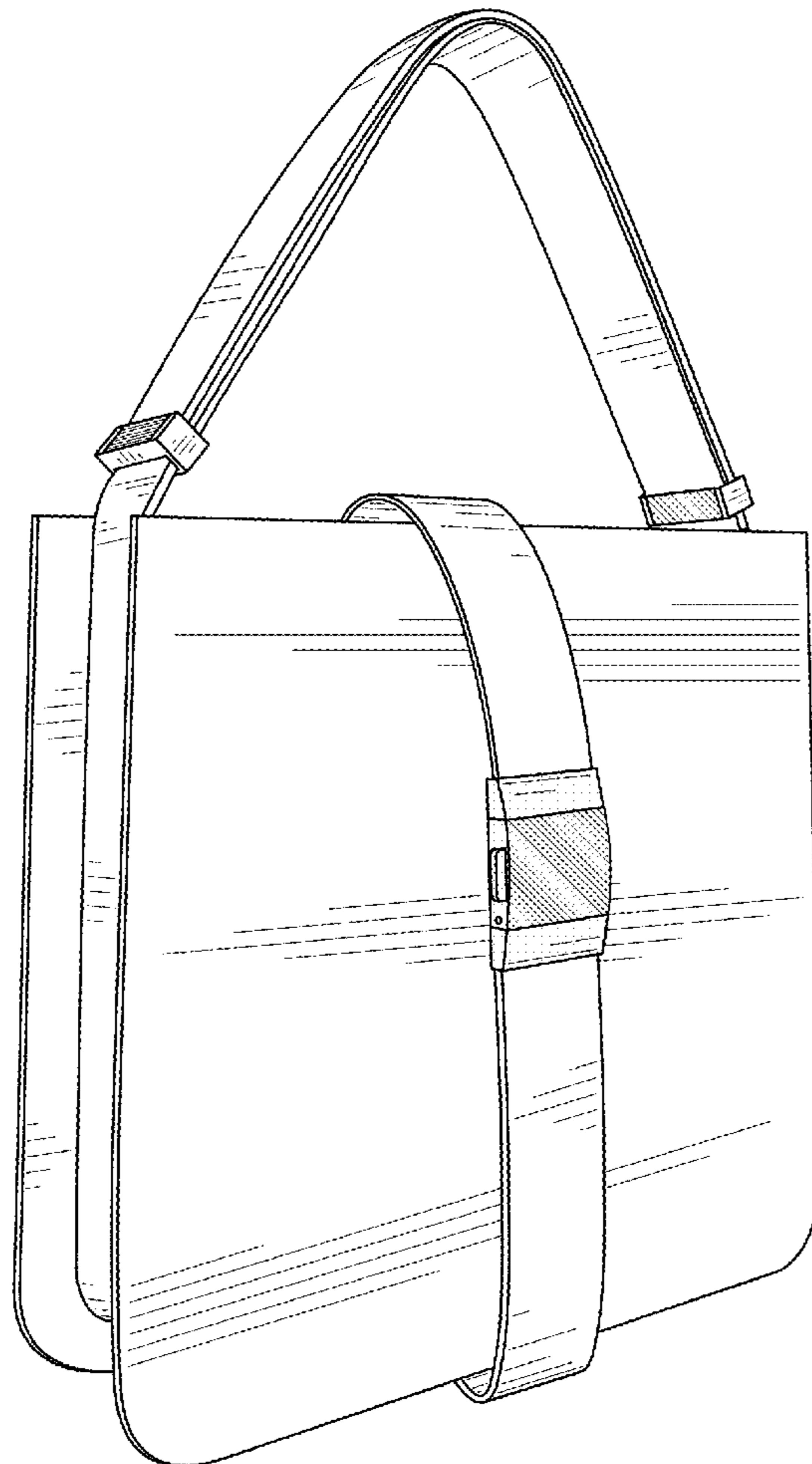
FIG. 4 is a right side view thereof;

FIG. 5 is a left side view thereof;

FIG. 6 is a top view thereof; and,

FIG. 7 is a bottom view thereof.

**1 Claim, 7 Drawing Sheets**



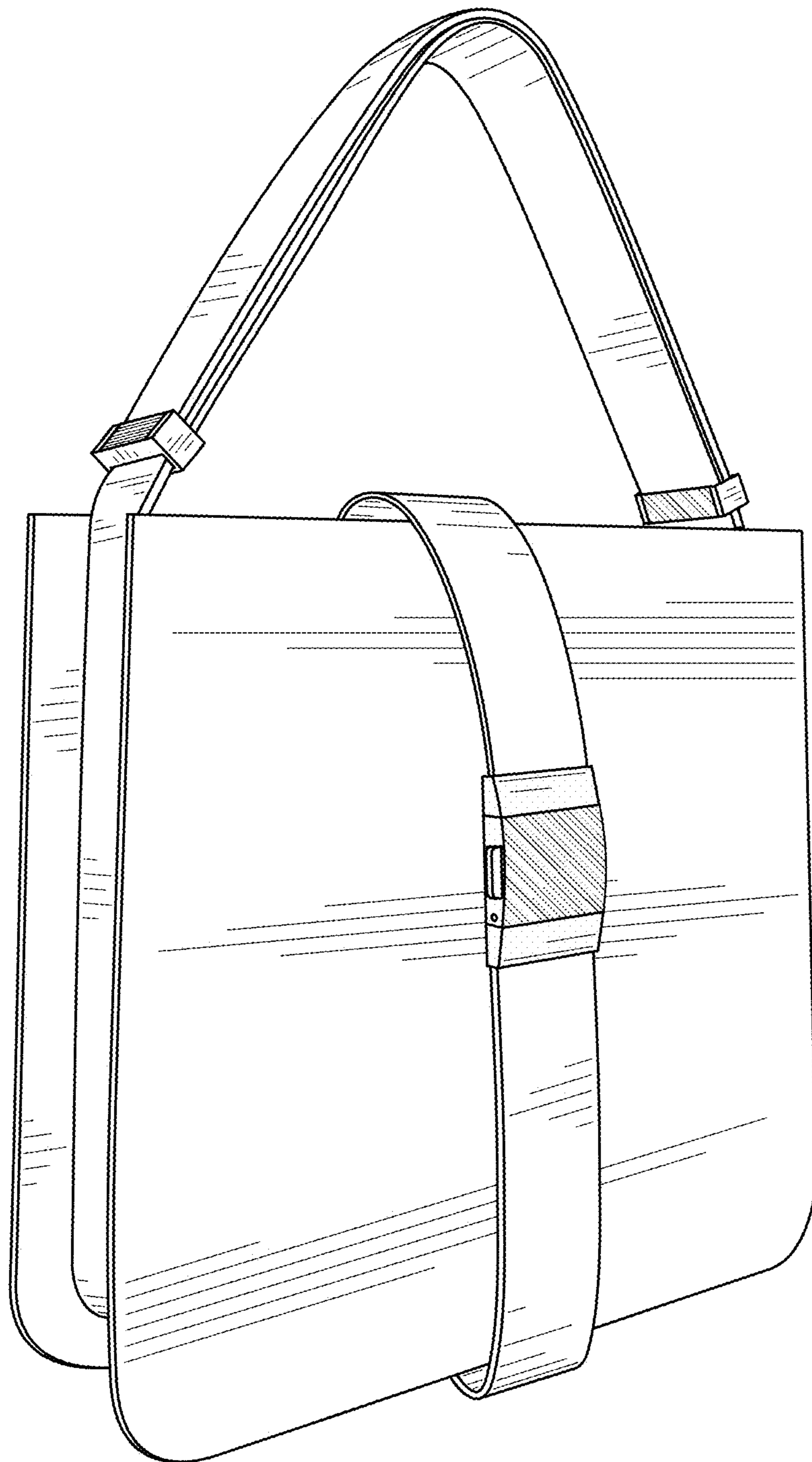


FIG. 1

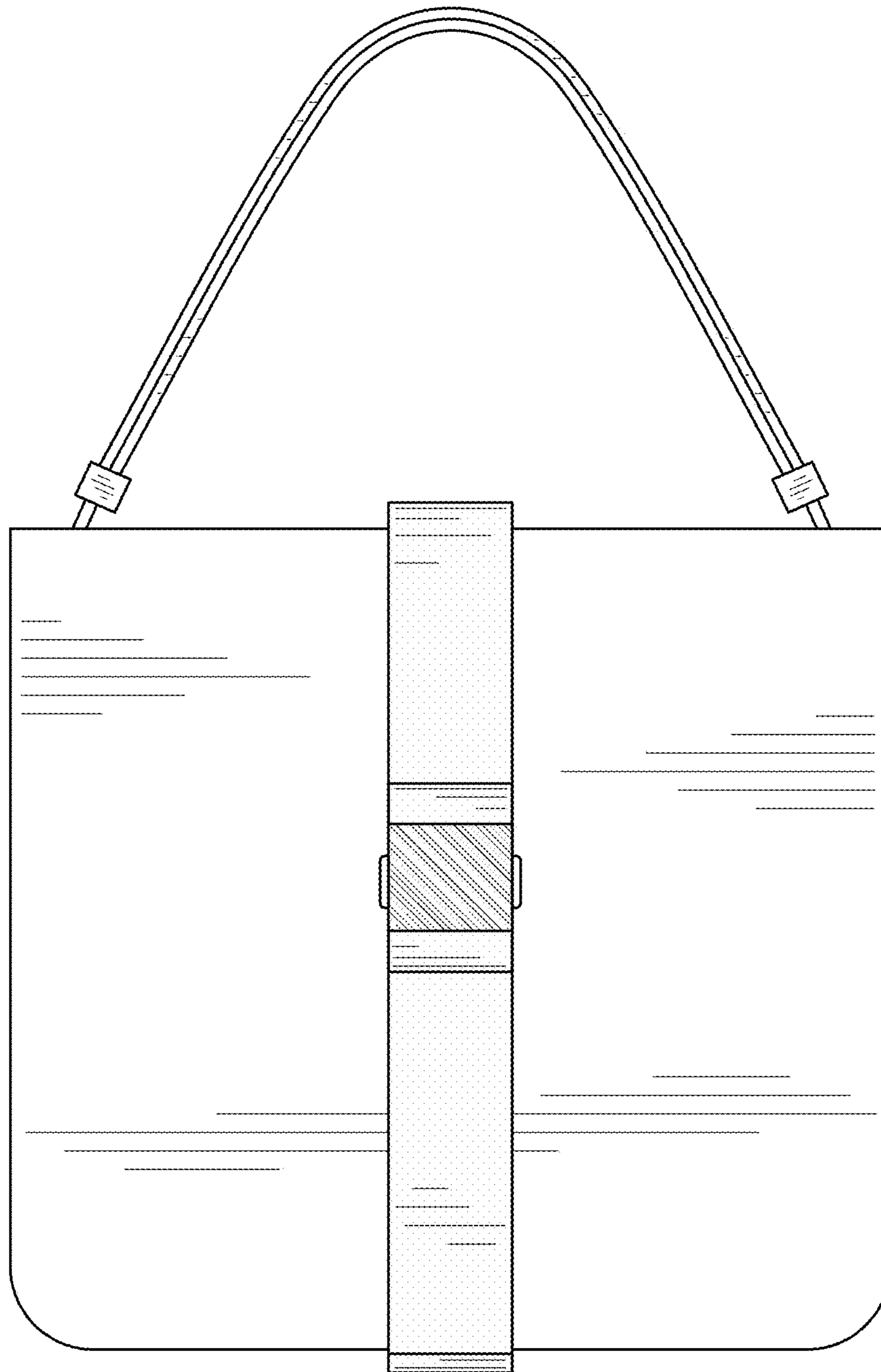


FIG. 2

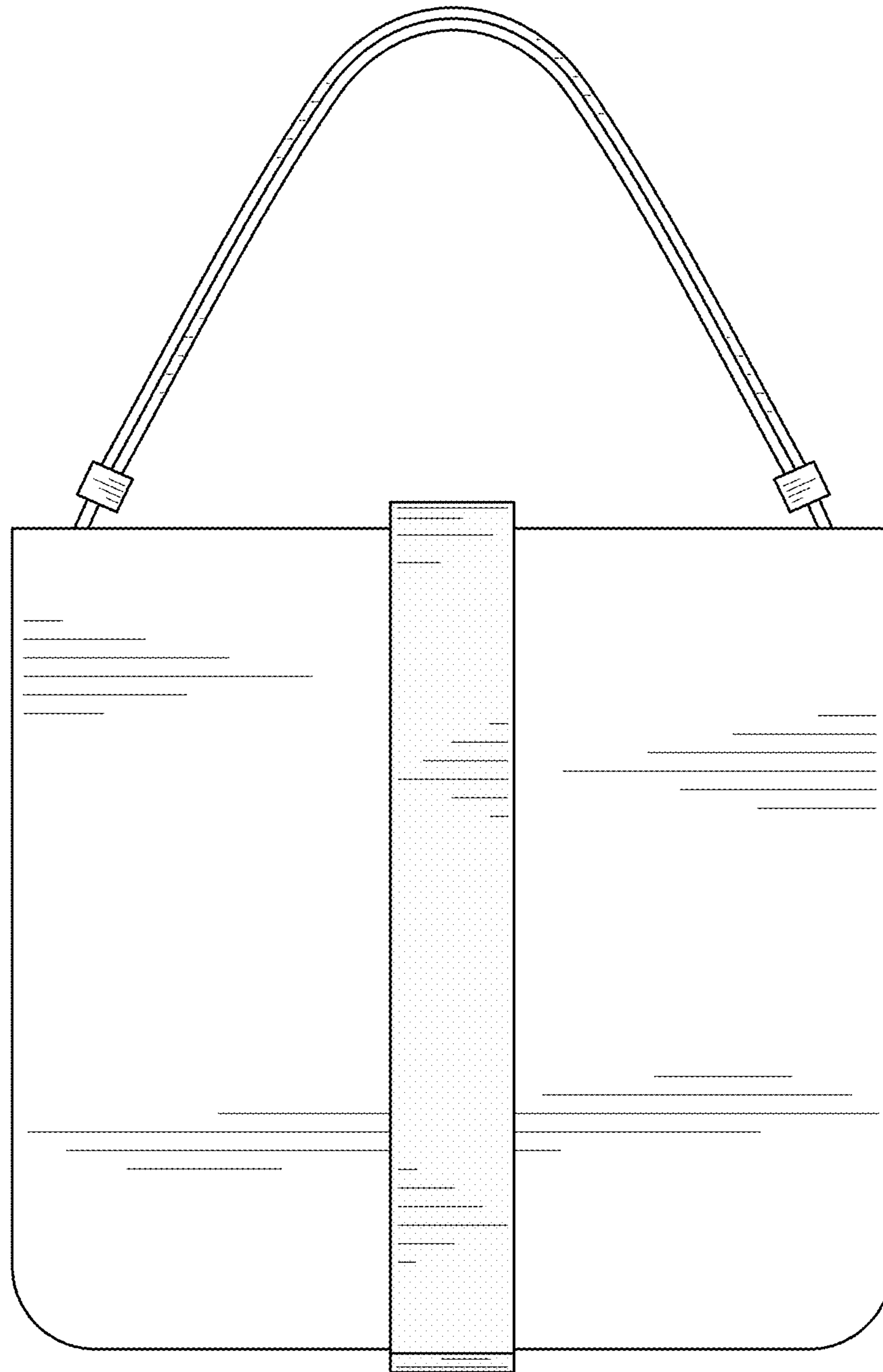


FIG. 3

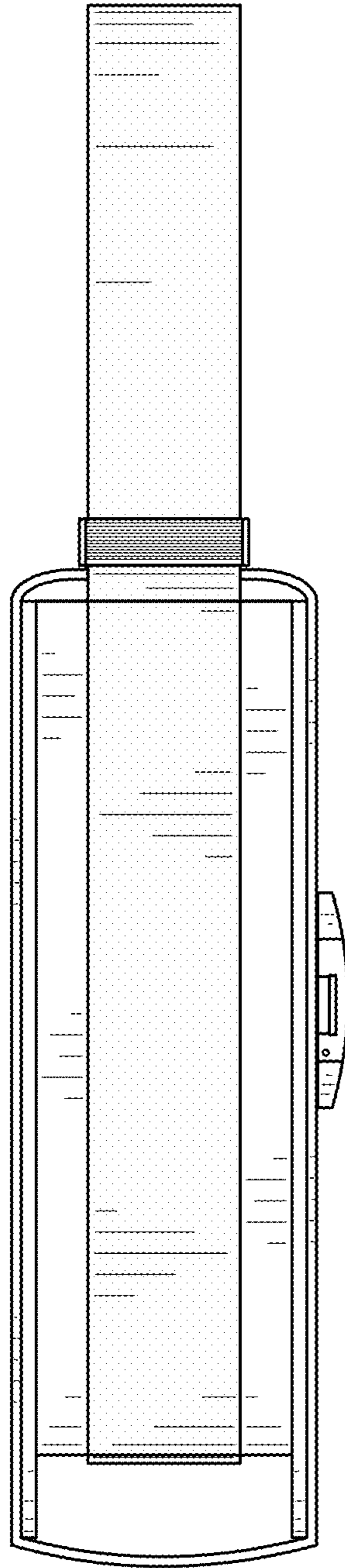


FIG. 4

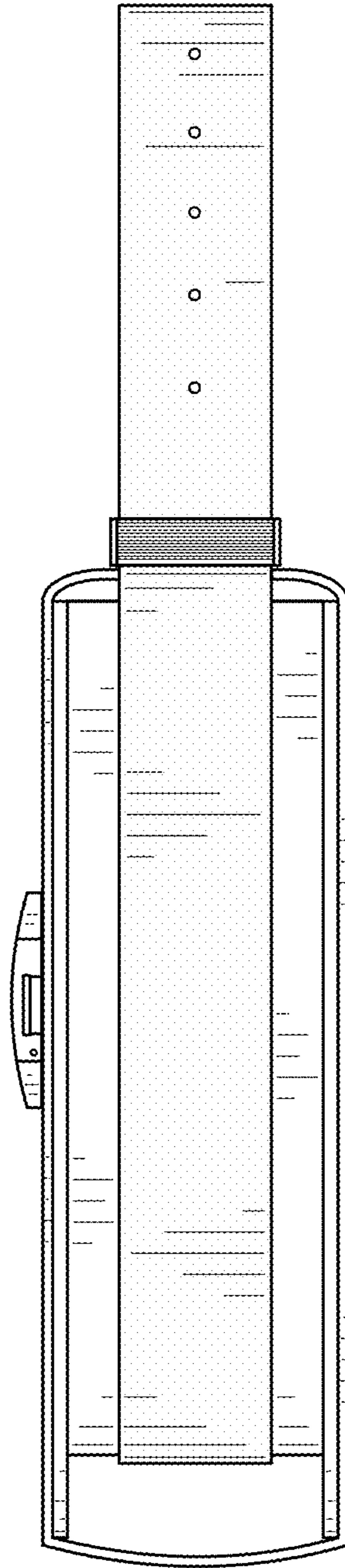


FIG. 5

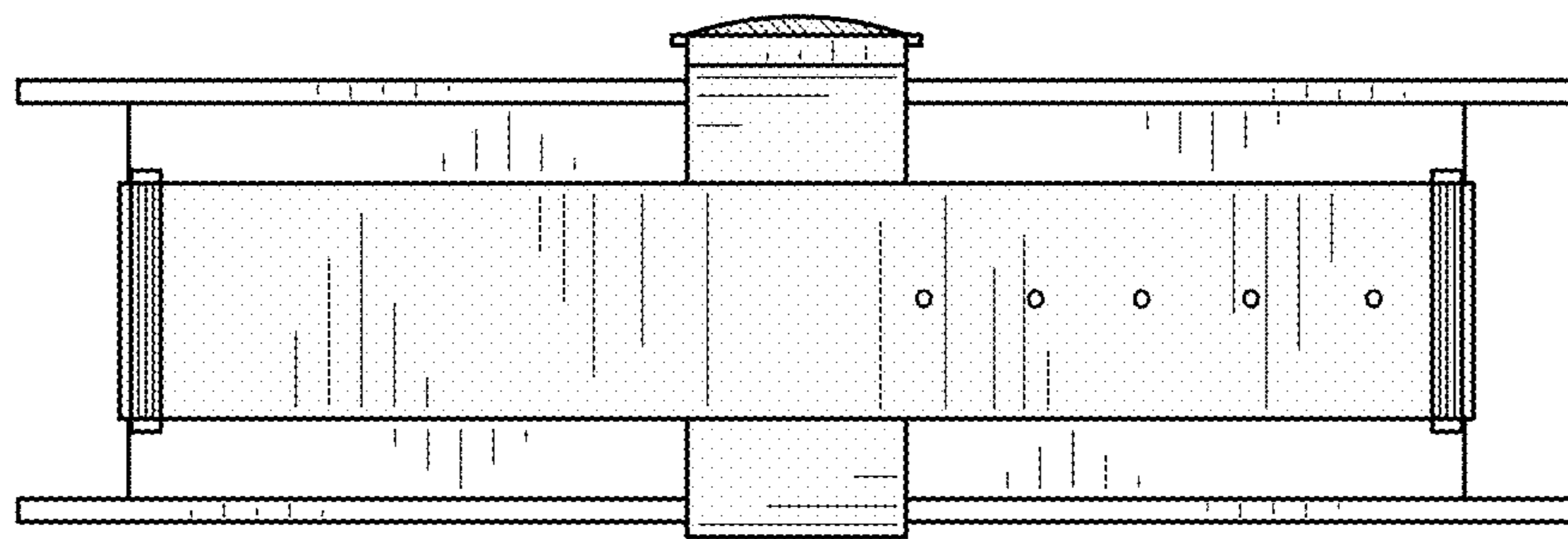


FIG. 6

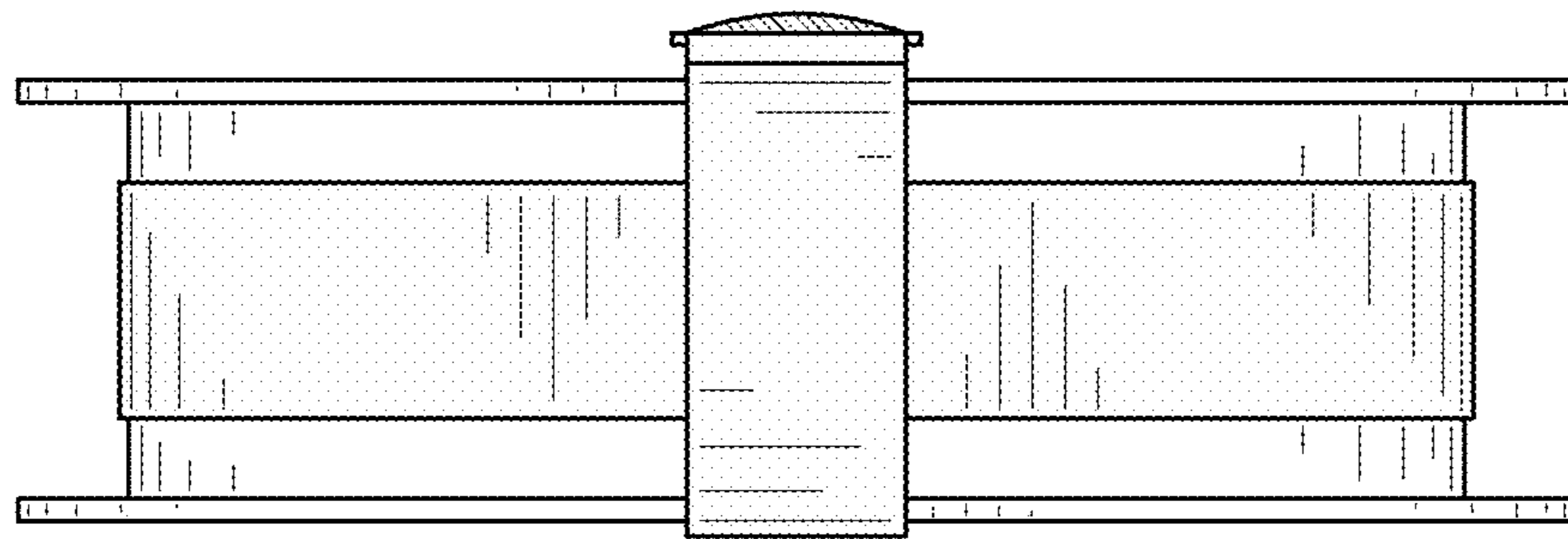


FIG. 7