



US00D905958S

(12) **United States Design Patent**  
**Szyf et al.**

(10) **Patent No.:** **US D905,958 S**

(45) **Date of Patent:** **\*\* Dec. 29, 2020**

(54) **MULTIFUNCTIONAL BACKPACK**

(71) Applicant: **SIGHTS OF NATURE, besfoten  
vennootschap met beperkte  
aansprakelijkheid, Bruges (BE)**

(72) Inventors: **Maxime Szyf, Antwerp (BE); Pieter  
Martin, Antwerp (BE)**

(73) Assignee: **SIGHTS OF NATURE, BESLOTEN  
VENNOOTSCHAP MET  
BEPERKTE  
AANSPRAKELIJKHEID, Bruges  
(BE)**

(\*\*) Term: **15 Years**

(21) Appl. No.: **29/669,574**

(22) Filed: **Nov. 9, 2018**

(30) **Foreign Application Priority Data**

May 9, 2018 (EM) ..... 005263043-0001

(51) **LOC (12) Cl.** ..... **03-01**

(52) **U.S. Cl.**  
USPC ..... **D3/217**

(58) **Field of Classification Search**  
USPC ..... D3/201, 213–219, 221, 224, 225, 229,  
D3/230, 232, 243–246, 254, 318  
CPC .. A45C 3/08; A45C 3/06; A45C 13/08; A45C  
13/02; A45C 7/0086; A45C 3/00; A45C  
13/26; A45F 3/04; A45F 3/02  
See application file for complete search history.

(56) **References Cited**

**U.S. PATENT DOCUMENTS**

2,352,794 A \* 7/1944 Love ..... F16M 11/36  
248/168  
4,114,667 A \* 9/1978 Belson ..... A45C 11/38  
224/613

D339,225 S \* 9/1993 Zel ..... D3/217  
D349,545 S \* 8/1994 Cehovin ..... D21/796  
5,407,112 A \* 4/1995 Christodoulou ..... A41D 15/04  
2/94  
D369,021 S \* 4/1996 Kliot ..... D3/217  
5,509,589 A \* 4/1996 Kliot ..... A43B 5/0425  
224/637  
5,551,655 A \* 9/1996 Berger ..... F16M 11/32  
248/168  
D380,294 S \* 7/1997 Kliot ..... D3/217  
(Continued)

**OTHER PUBLICATIONS**

Kite Optics Viato Backpack, available on YouTube Aug. 31, 2018,  
viewed by the Examiner Sep. 30, 2020. Available at URL: <https://www.youtube.com/watch?v=eeZoJRt2Vk4>.\*

*Primary Examiner* — Jennifer L Watkins

(74) *Attorney, Agent, or Firm* — Nixon & Vanderhye

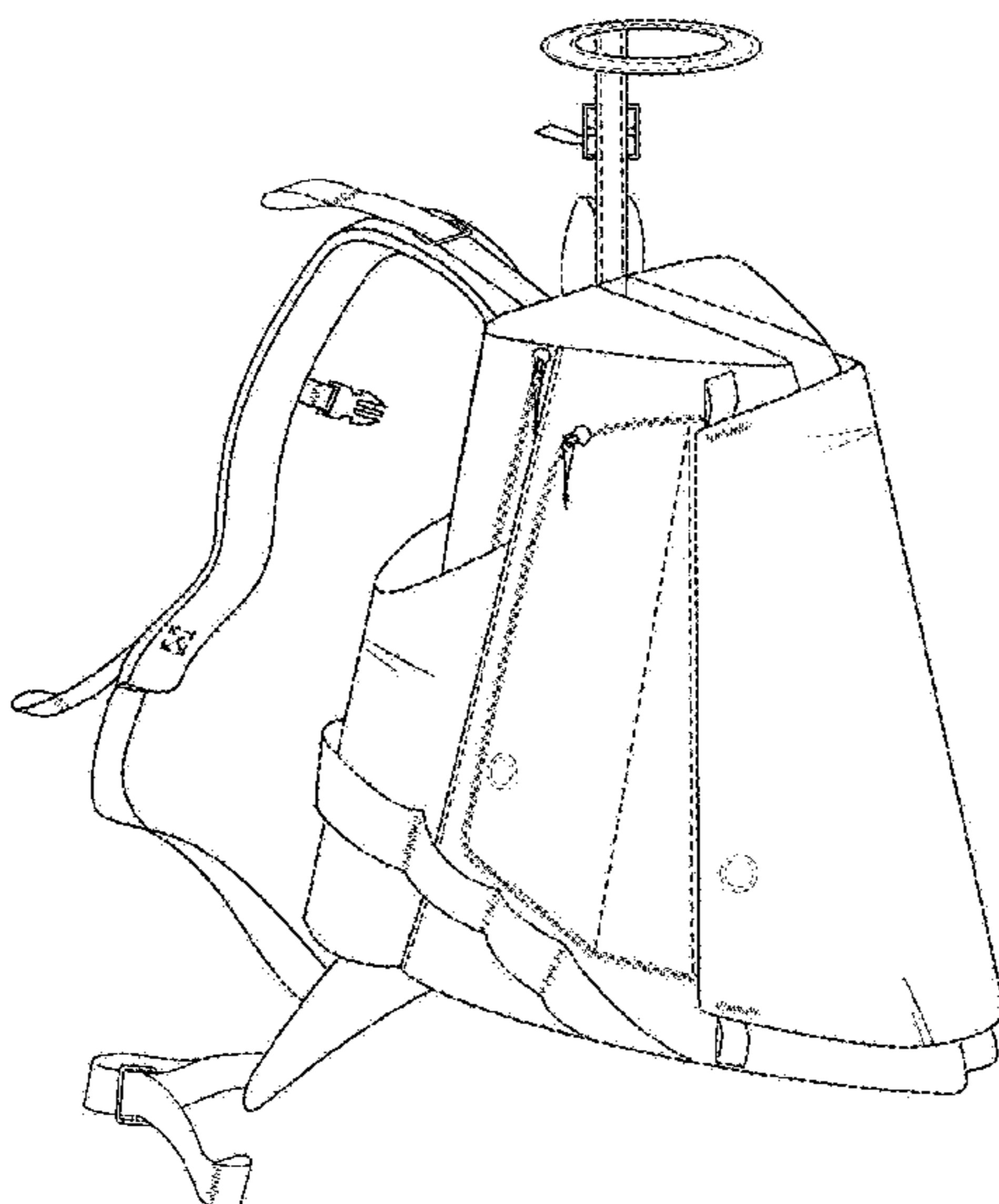
(57) **CLAIM**

The ornamental design for a multifunctional backpack, as  
shown and described.

**DESCRIPTION**

FIG. 1 is a front, right side, and top perspective view of a  
multifunctional backpack showing the new design;  
FIG. 2 is a front elevation view thereof;  
FIG. 3 is a rear elevation view thereof;  
FIG. 4 is a left side elevation view thereof;  
FIG. 5 is a right side elevation view thereof;  
FIG. 6 is a top plan view thereof;  
FIG. 7 is a bottom plan view thereof; and,  
FIG. 8 is a front, right side, and top perspective view shown  
in a manner of use with a tripod shown in broken lines.  
The broken lines shown in FIG. 8 illustrating the tripod form  
no part of the claimed design. The broken lines shown in  
FIGS. 1-8 on the multifunctional backpack illustrate stitching  
that is part of the claimed design.

**1 Claim, 8 Drawing Sheets**



(56)

**References Cited**

U.S. PATENT DOCUMENTS

D382,110 S \* 8/1997 Pollari ..... D3/217  
5,791,537 A \* 8/1998 Miller ..... A45F 3/04  
224/583  
D403,854 S \* 1/1999 Marcusson ..... D3/217  
D408,993 S \* 5/1999 Kliot ..... D3/217  
D409,377 S \* 5/1999 Kliot ..... D3/216  
5,950,895 A \* 9/1999 Zakarin ..... A45F 3/04  
224/627  
D507,698 S \* 7/2005 Hooper ..... D3/216  
D565,294 S \* 4/2008 Limber ..... B62B 1/26  
D3/269  
D634,926 S \* 3/2011 Drollinger ..... D3/216  
D762,059 S \* 7/2016 Kliot ..... D3/217  
D784,005 S \* 4/2017 Zheng ..... D3/216  
D813,536 S \* 3/2018 Schoh ..... D3/262  
2004/0149793 A1 \* 8/2004 Theodore ..... A45C 7/0095  
224/576  
2011/0186611 A1 \* 8/2011 Eberle ..... A45F 4/00  
224/583

\* cited by examiner

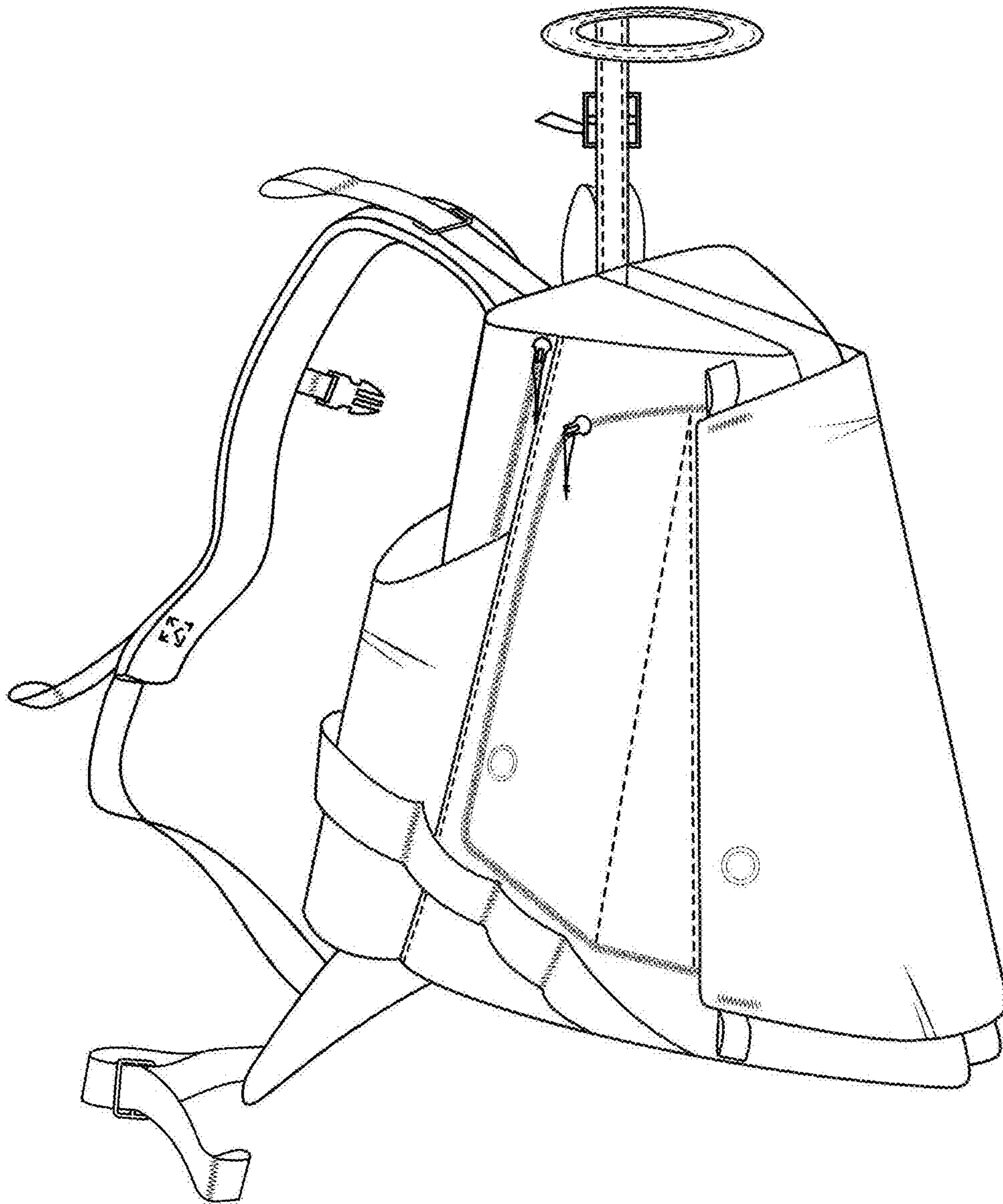


FIG. 1



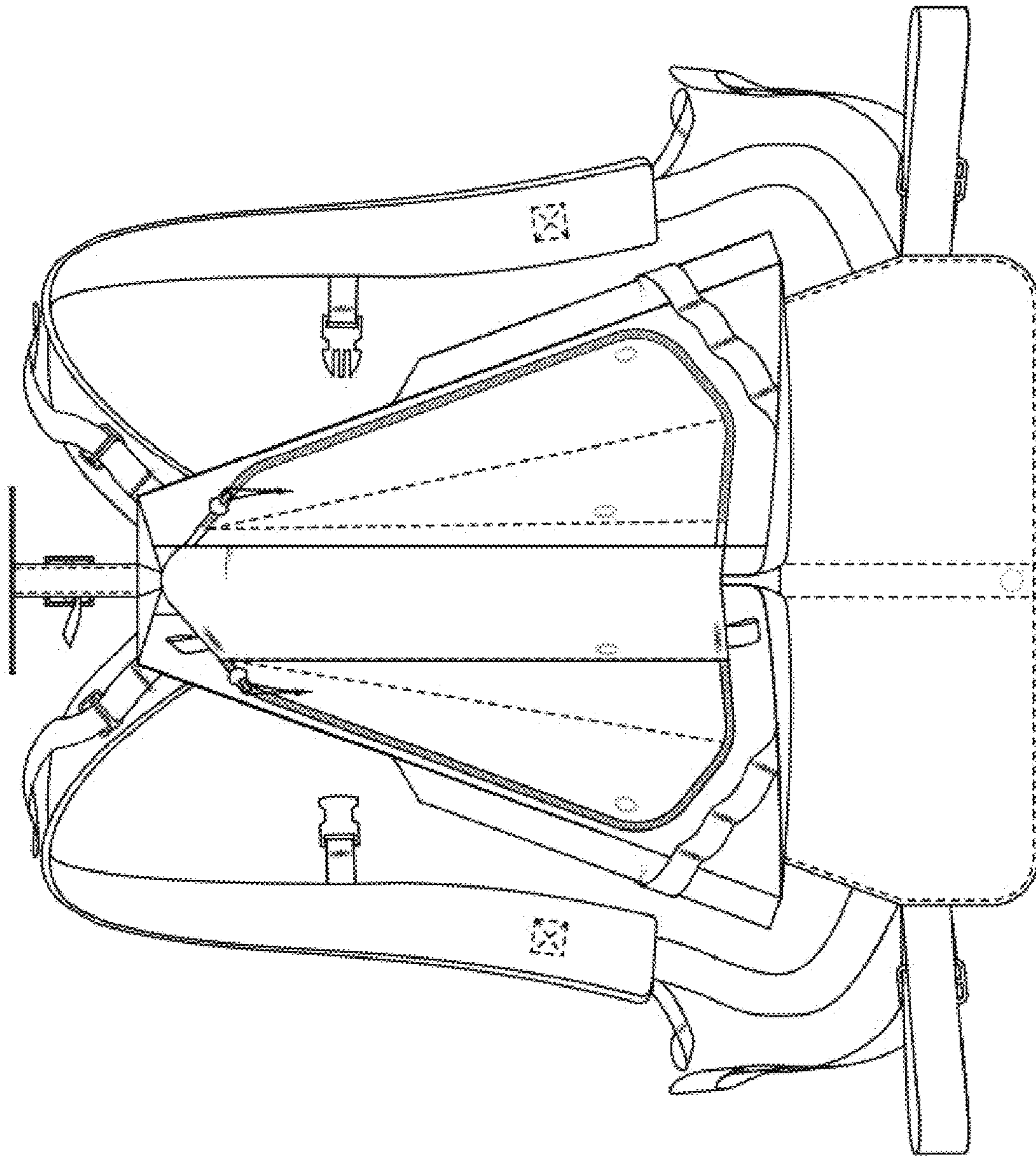


FIG. 2

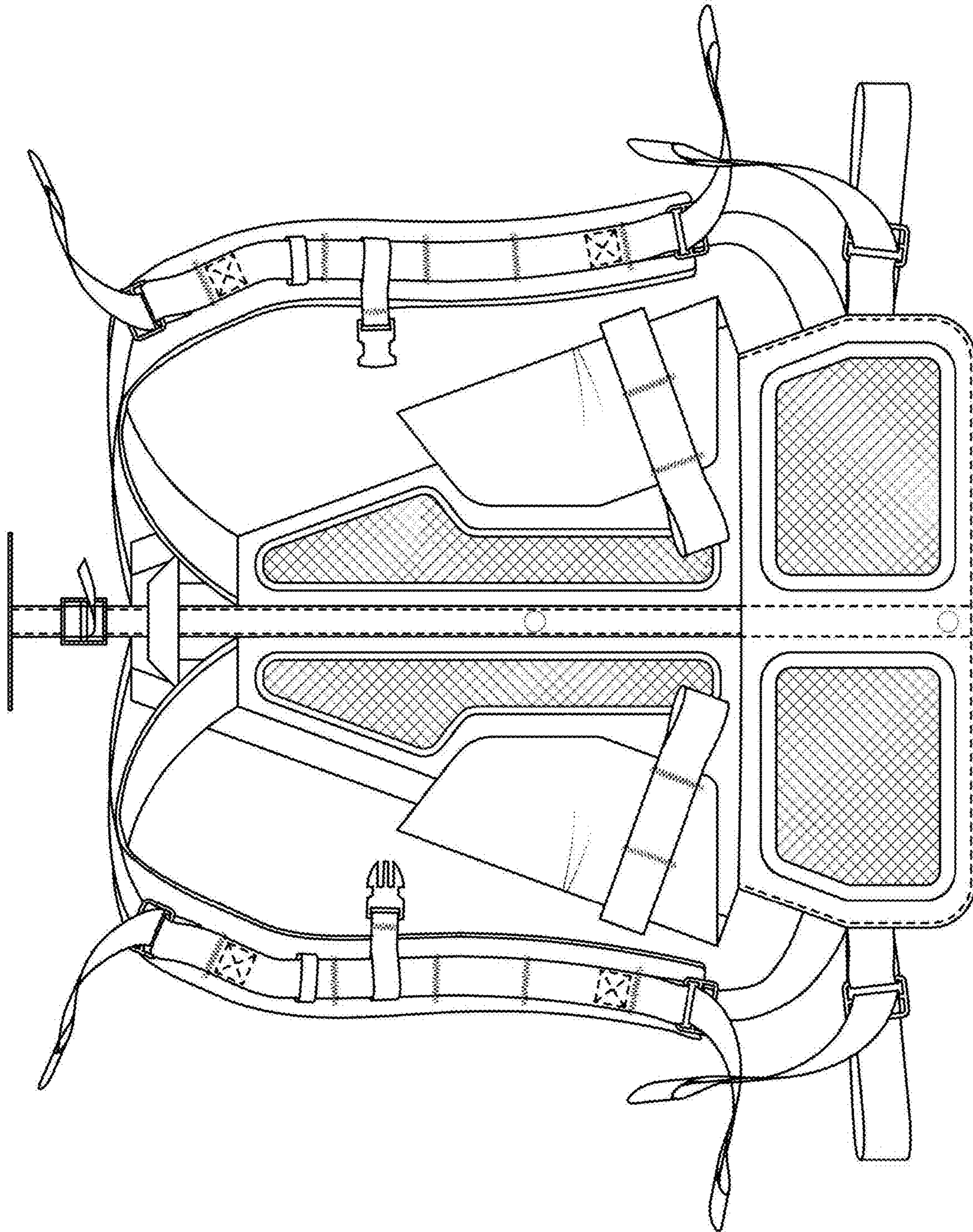


FIG. 3



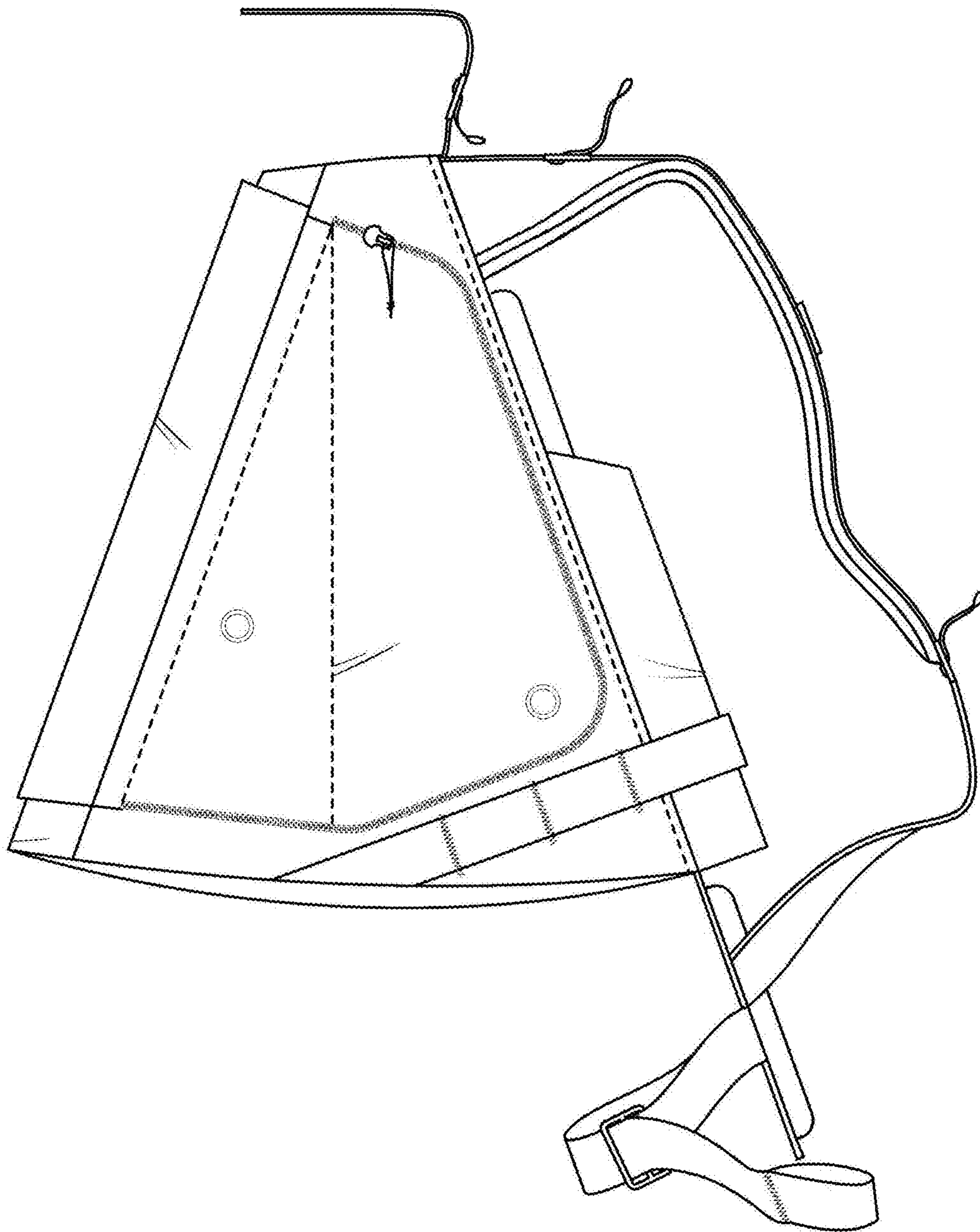


FIG. 4

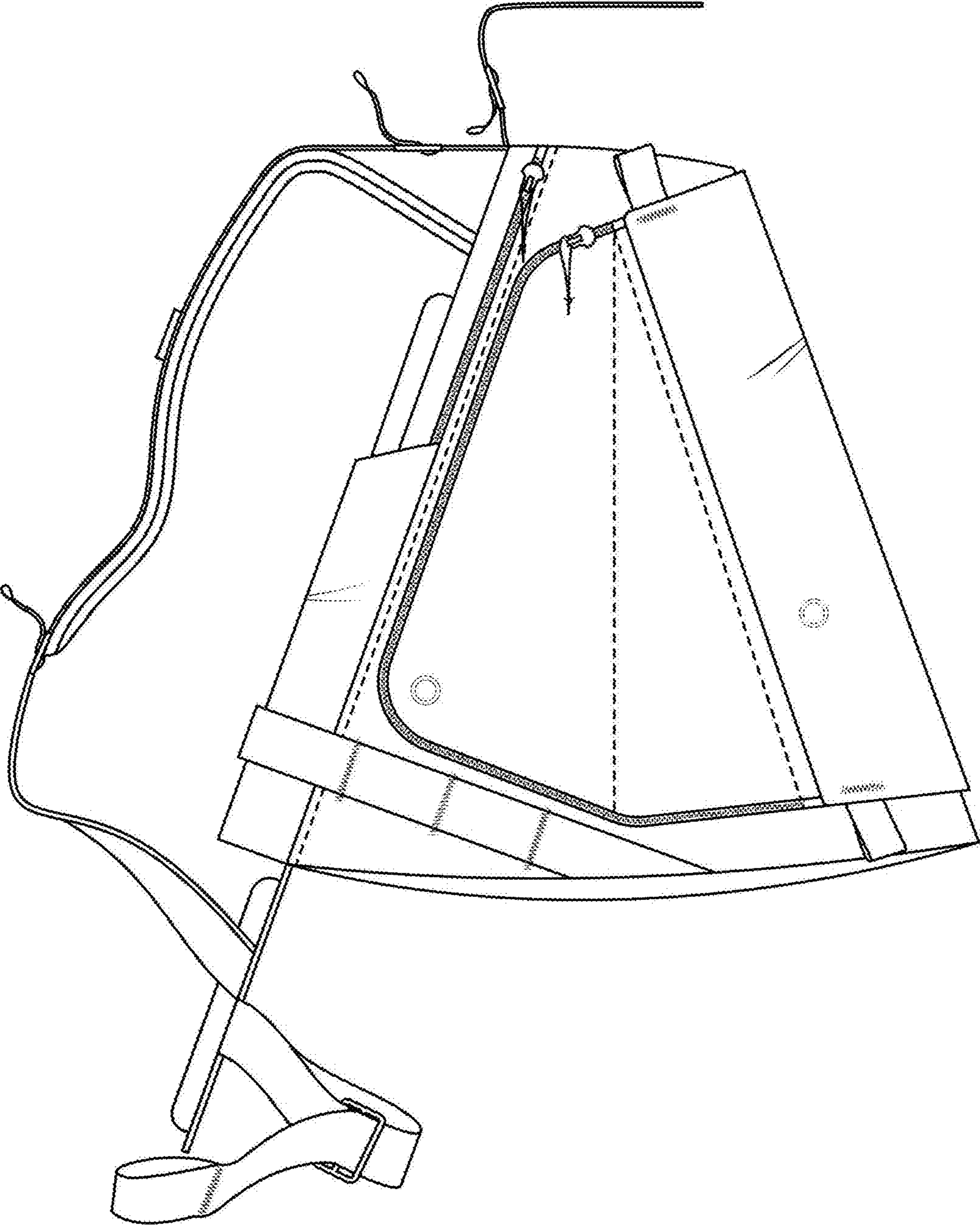


FIG. 5

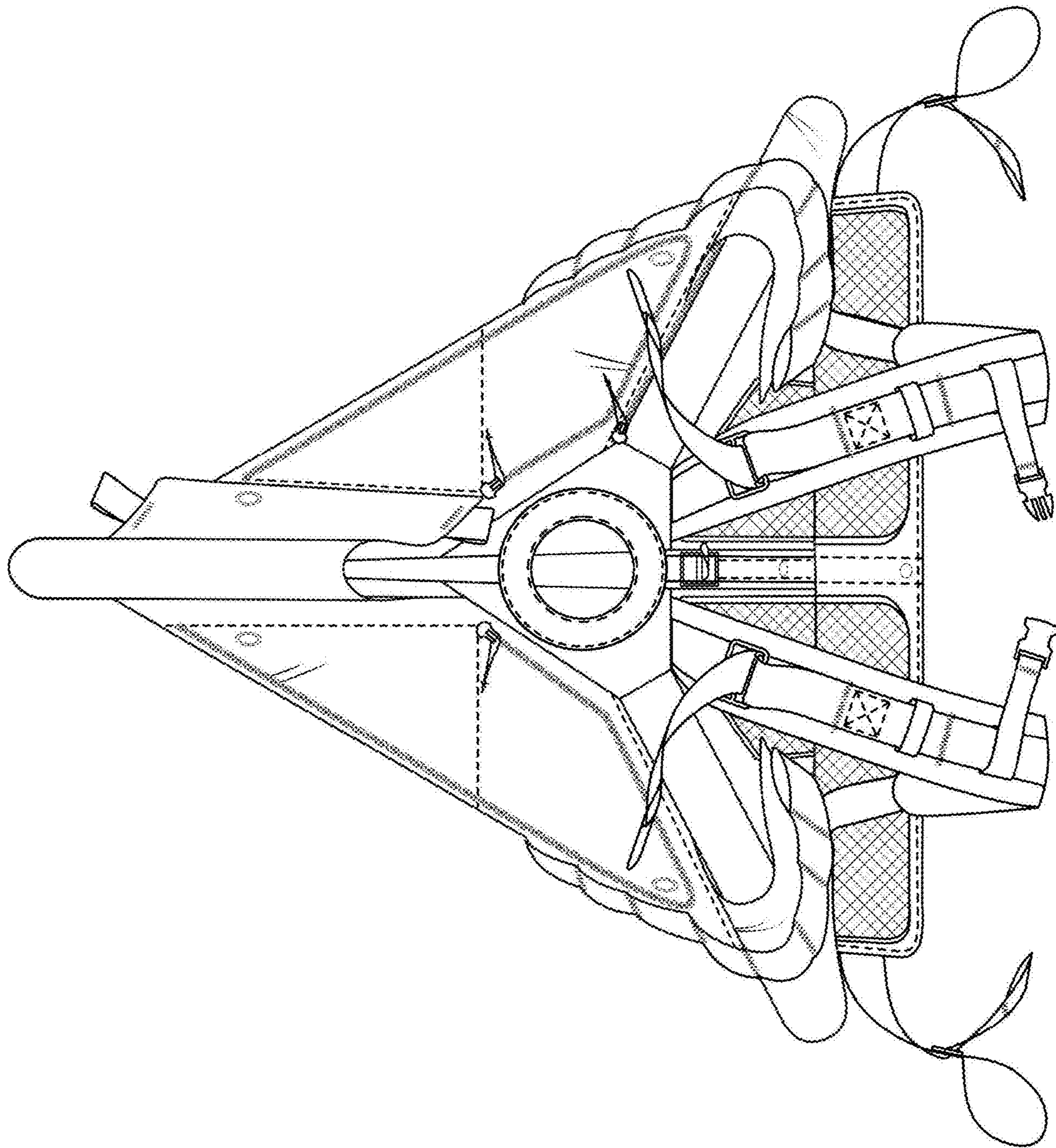


FIG. 6



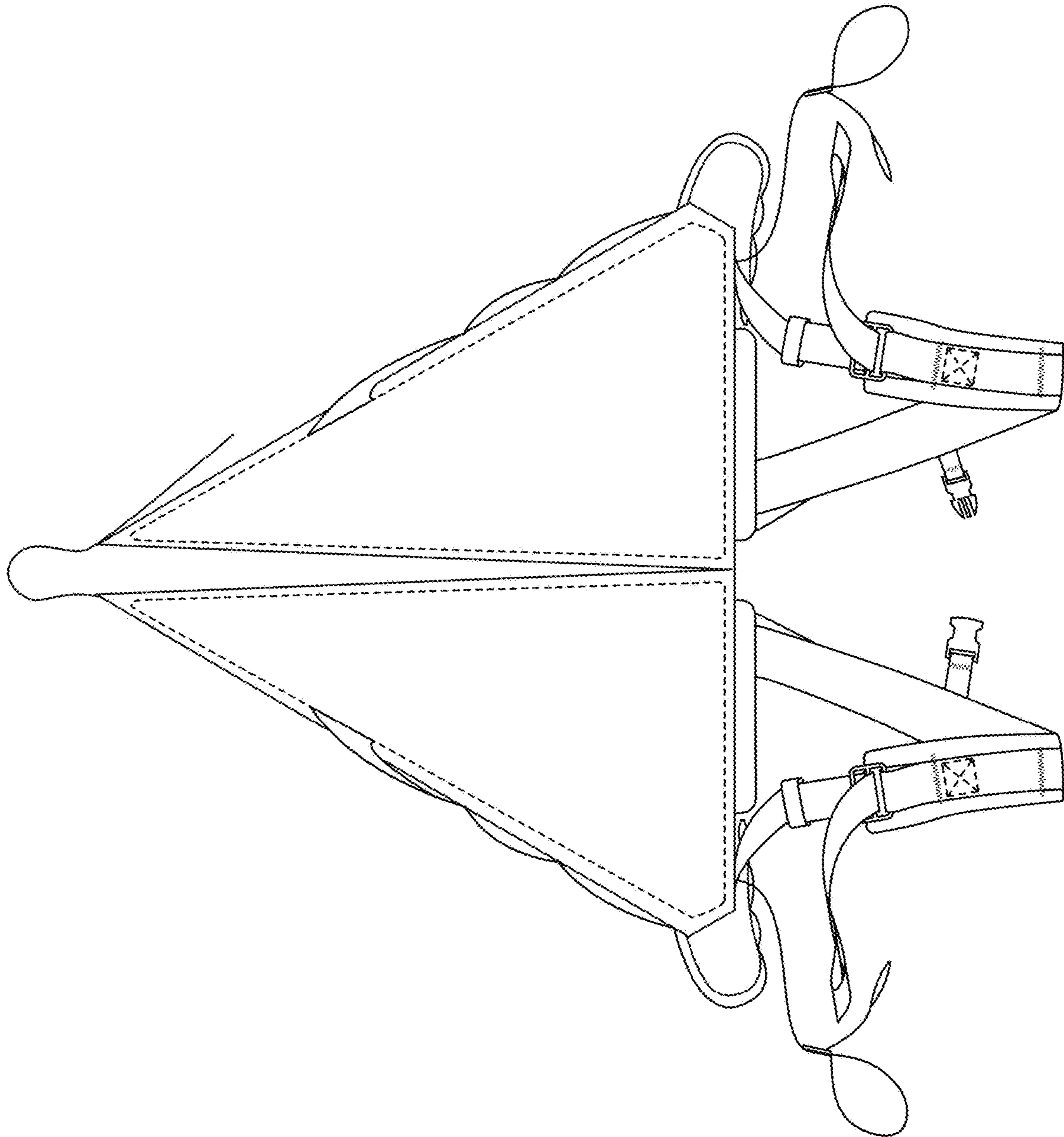


FIG. 7

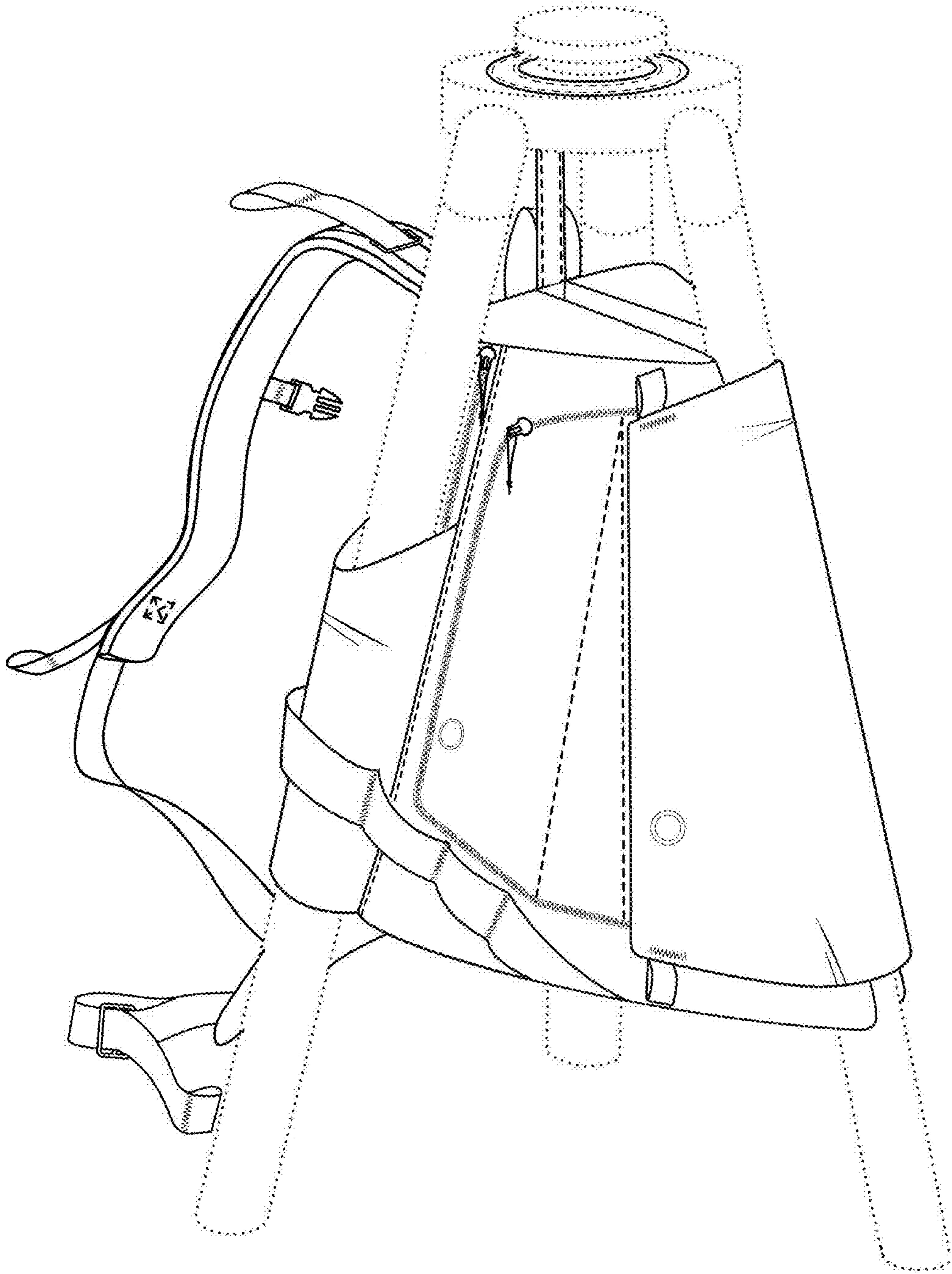


FIG. 8