



US00D905957S

(12) **United States Design Patent** (10) **Patent No.:** **US D905,957 S**
Maier (45) **Date of Patent:** **** Dec. 29, 2020**

(54) **BACKPACK**

(71) Applicant: **BOTTEGA VENETA SA**, Cadempino (CH)

(72) Inventor: **Thomas Rudolf Maier**, Palm Beach, FL (US)

(73) Assignee: **BOTTEGA VENETA SA**, Cadempino (CH)

(**) Term: **15 Years**

(21) Appl. No.: **29/647,013**

(22) Filed: **May 9, 2018**

(30) **Foreign Application Priority Data**

Nov. 13, 2017 (WO) 5369301

(51) **LOC (12) Cl.** **03-01**

(52) **U.S. Cl.**
USPC **D3/217**

(58) **Field of Classification Search**

USPC D3/215-217, 273, 289, 290, 318, 321, D3/322, 323, 243, 244, 246
CPC .. A45F 3/04; A45F 3/042; A45F 3/047; A45F 3/08; A45F 3/10; A45F 3/14; A45F 4/02; A45F 4/08; A45F 2200/05; A45F 2200/0525; A45C 13/08; A45C 13/083
See application file for complete search history.

(56) **References Cited**

U.S. PATENT DOCUMENTS

D368,370 S * 4/1996 Tawil D3/276
D396,745 S * 8/1998 Peterson D3/216
D403,853 S * 1/1999 Lothrop D3/216

D450,448 S * 11/2001 Pierce D3/216
D746,049 S * 12/2015 Zwetzig D3/217
D786,552 S * 5/2017 Maier D3/243
D787,816 S * 5/2017 Slimane D3/217
D830,053 S * 10/2018 Dumas D3/217
D842,603 S * 3/2019 Johnson D3/217
D843,718 S * 3/2019 Tomasetta D3/244

OTHER PUBLICATIONS

Nero Hi-Tech Canvas Sassolungo Backpack, posted at bottegaveneta.com, online, URL: https://www.bottegaveneta.com/us/backpack_cod45408556oh.html (Year: 2019).*

* cited by examiner

Primary Examiner — Lilyana Bekic

Assistant Examiner — Mary Shannon Malley

(74) *Attorney, Agent, or Firm* — Fross, Zelnick, Lehrman & Zissu, PC; Charles T. J. Weigell, Esq.

(57) **CLAIM**

The ornamental design for a backpack, as shown and described.

DESCRIPTION

FIG. 1 is a perspective view of a backpack according to the design;

FIG. 2 is a front view thereof;

FIG. 3 is a back view thereof;

FIG. 4 is a left side view thereof;

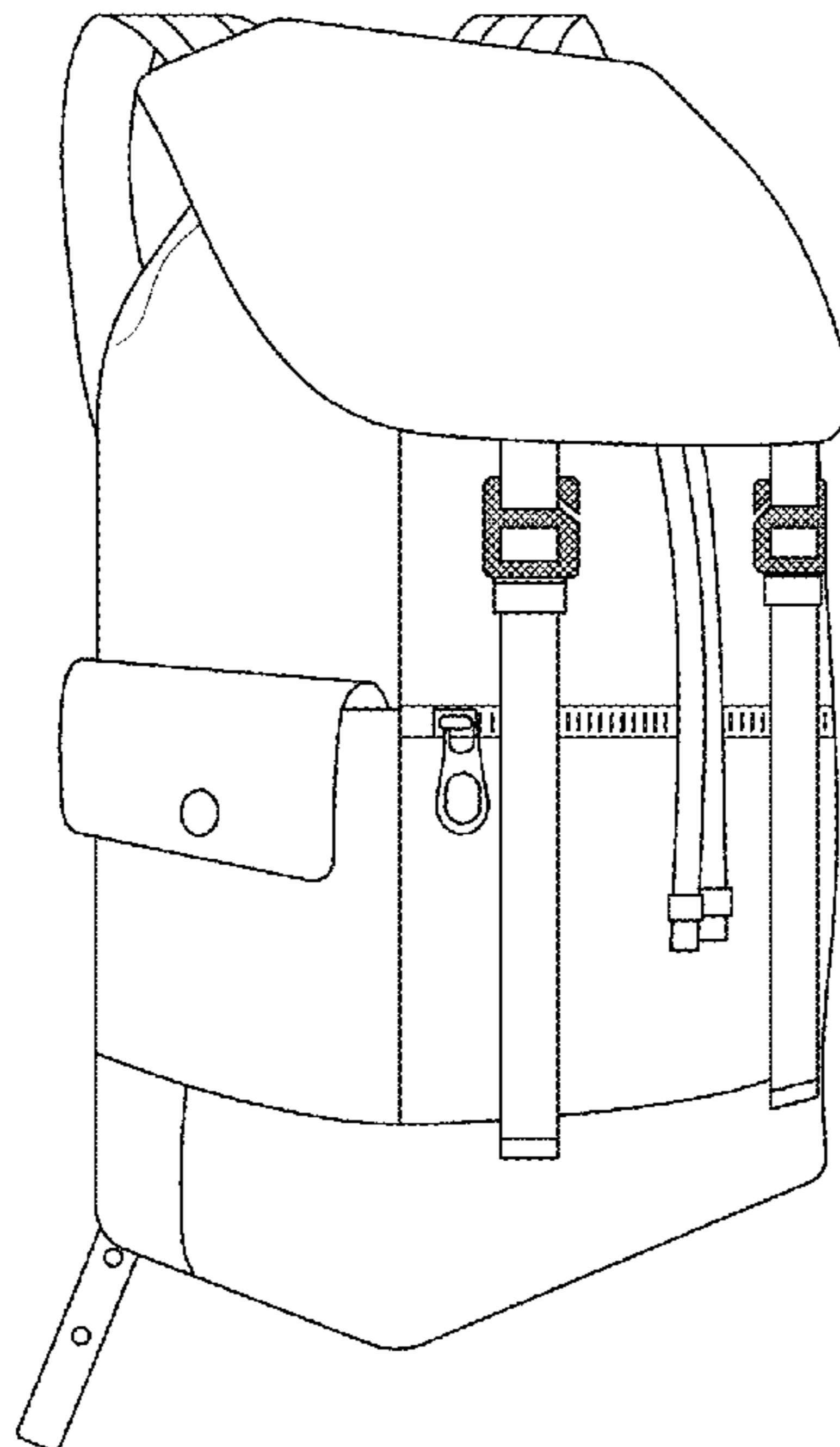
FIG. 5 is a right side view thereof;

FIG. 6 is a top view thereof; with the straps shown in a different position; and,

FIG. 7 is a bottom view thereof with the straps shown in a different position.

The broken lines depict portions of the backpack that do not form part of the claimed design.

1 Claim, 7 Drawing Sheets



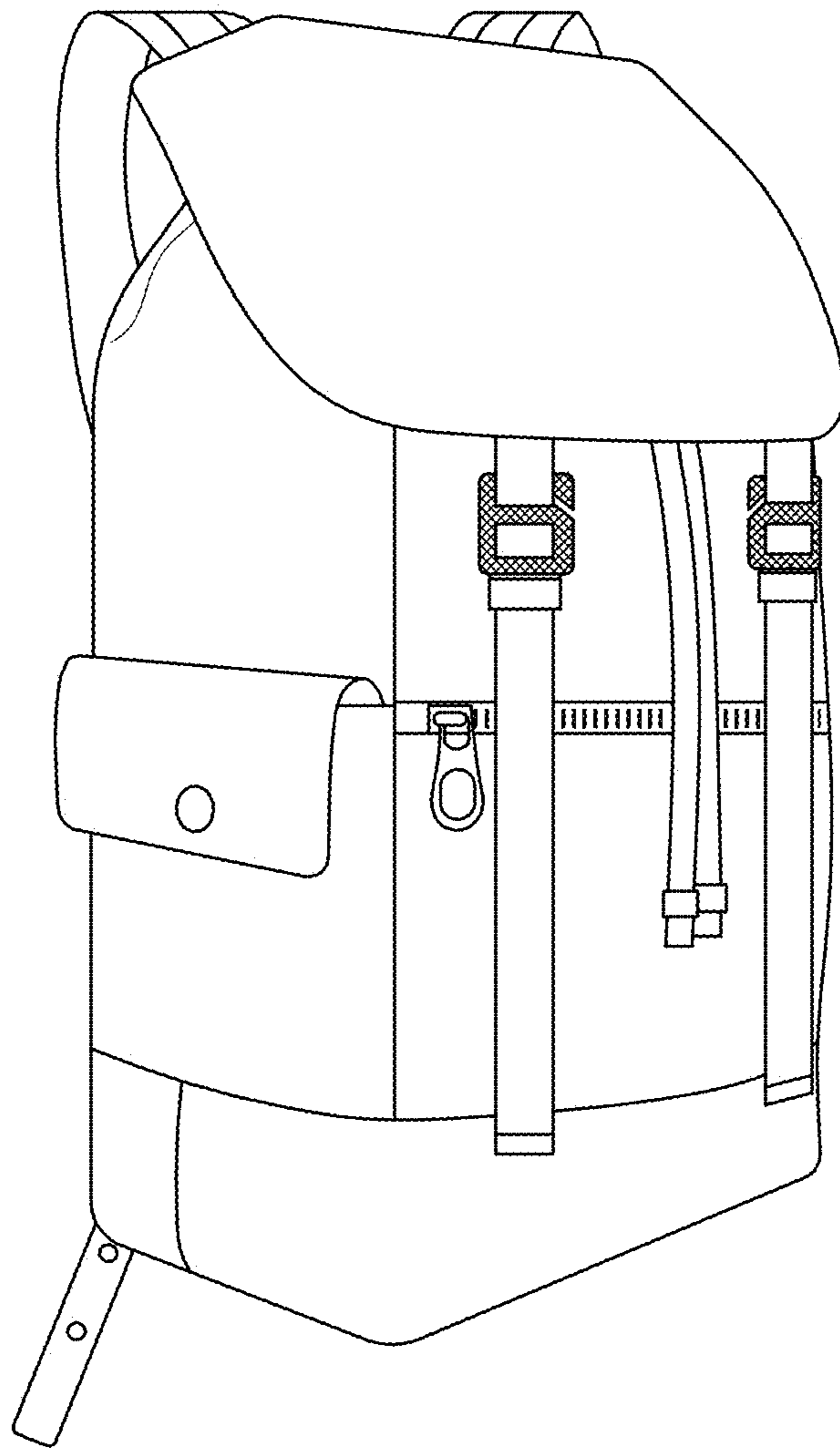


FIG. 1

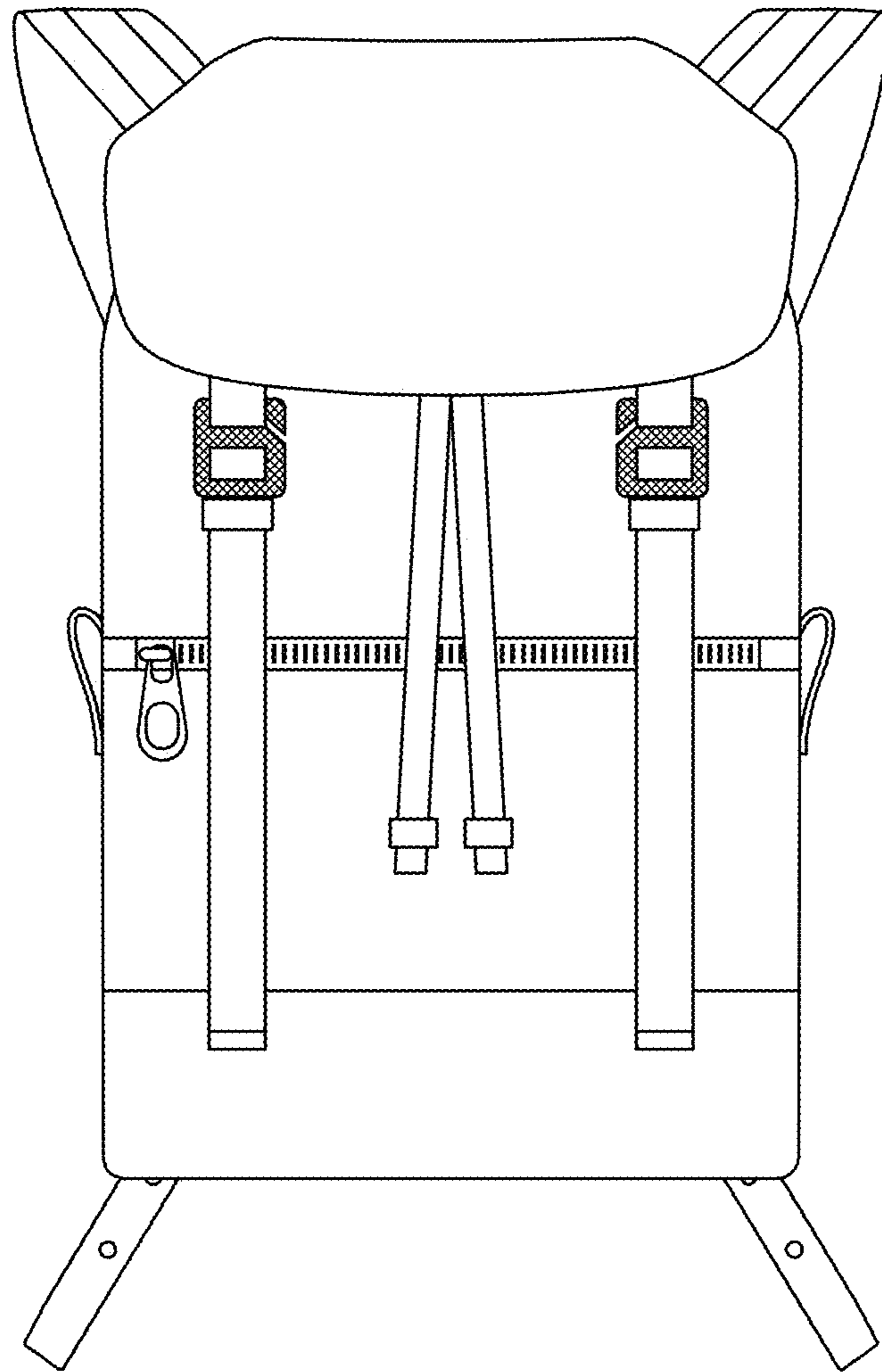


FIG. 2

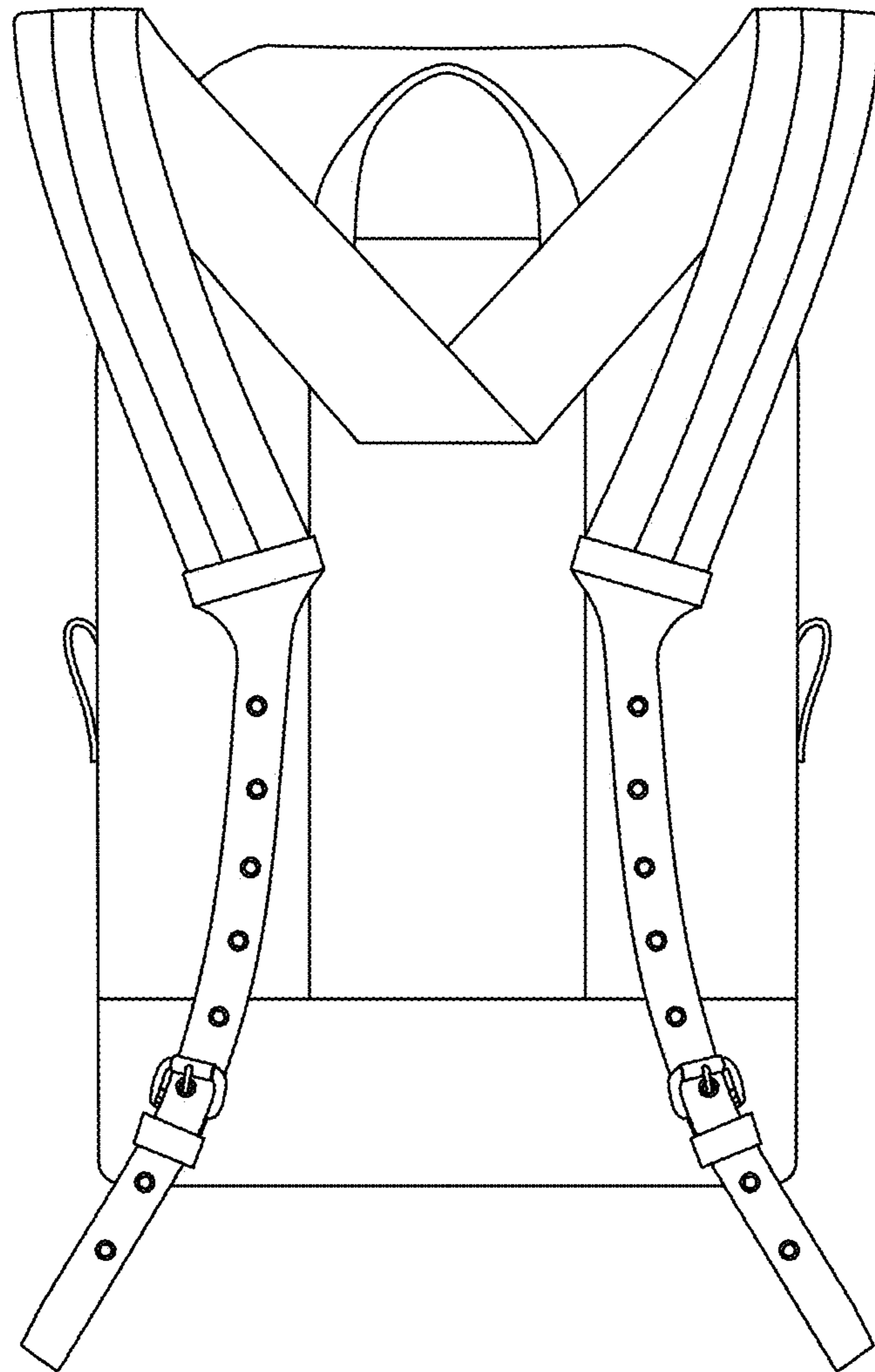


FIG. 3

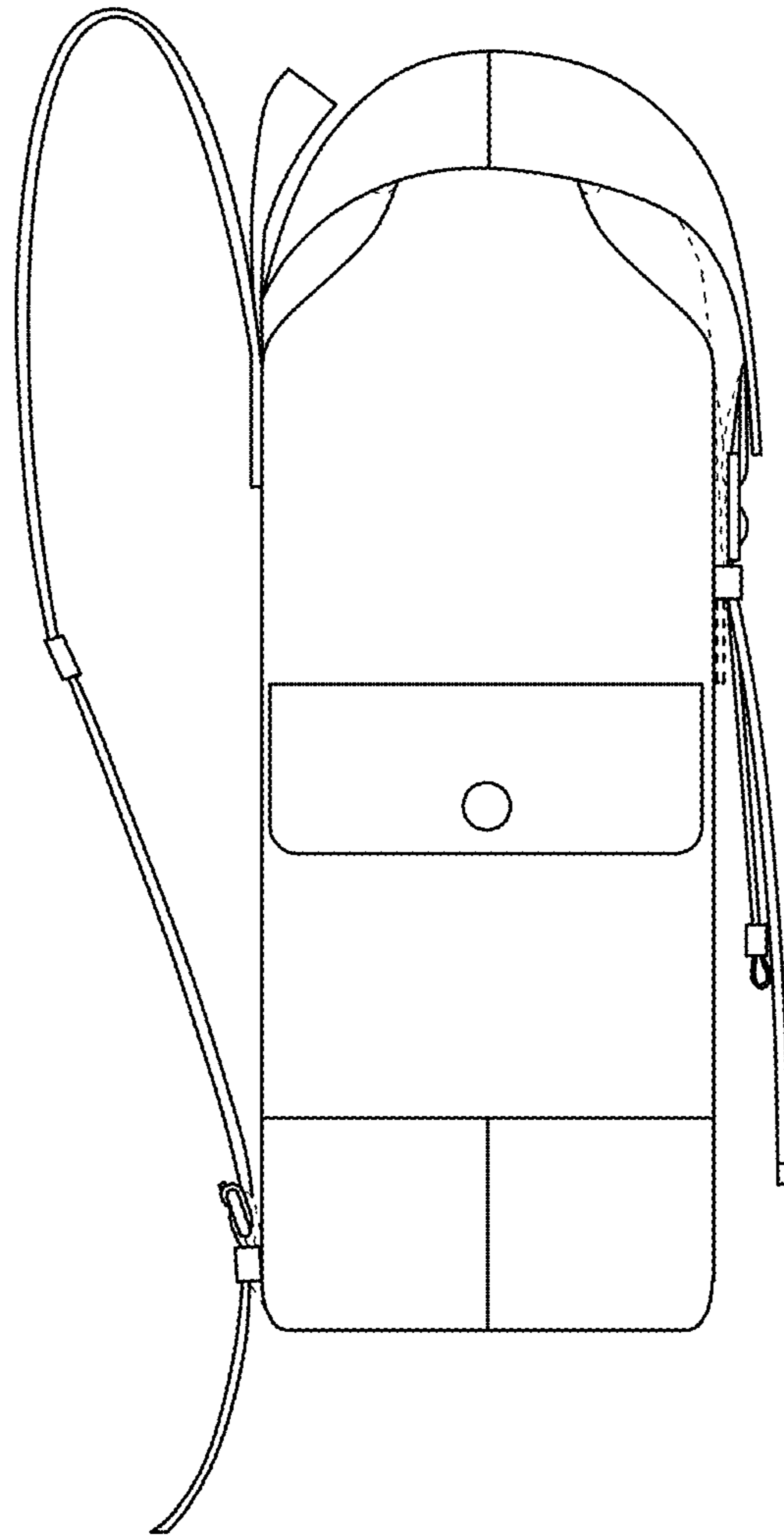


FIG. 4

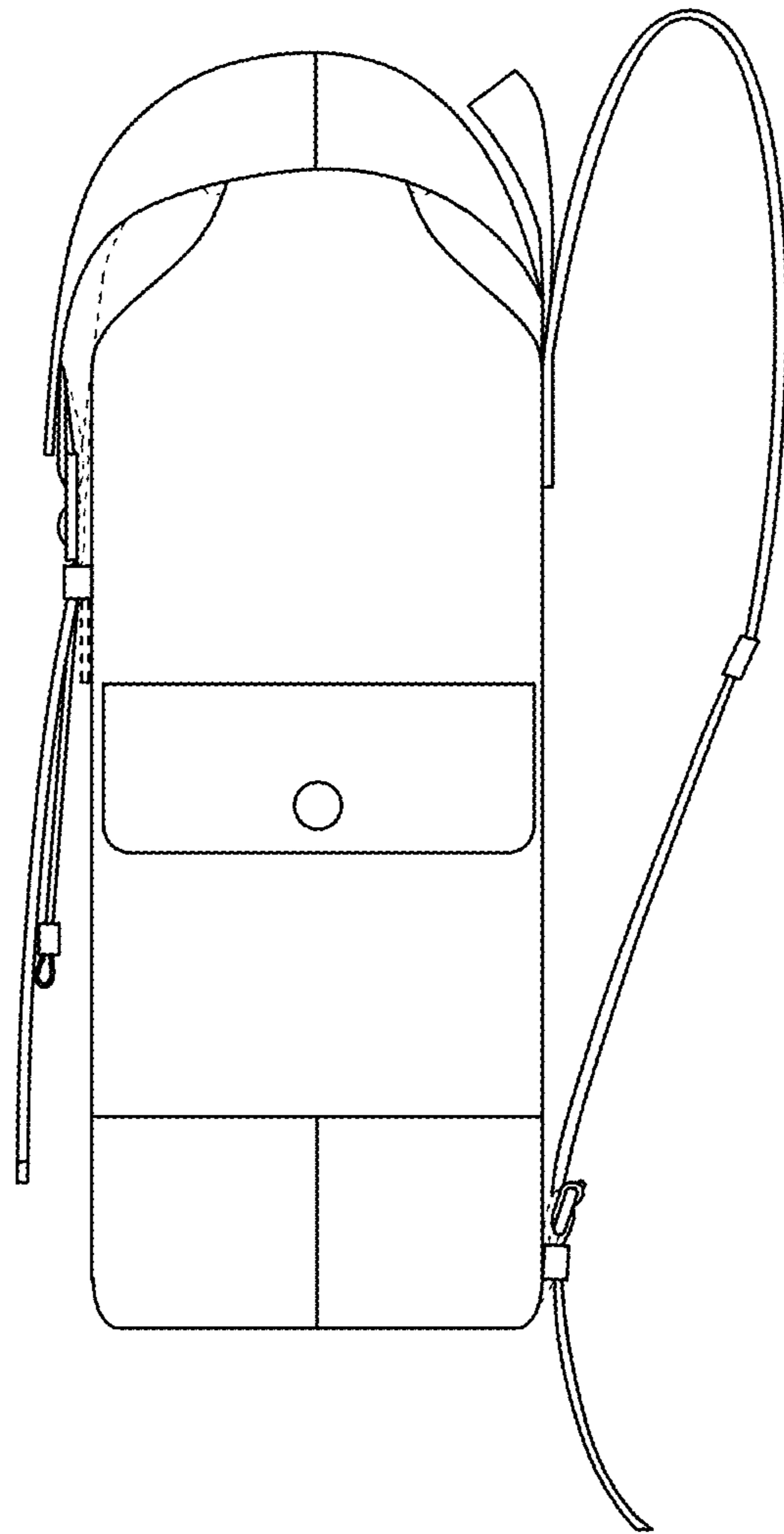


FIG. 5

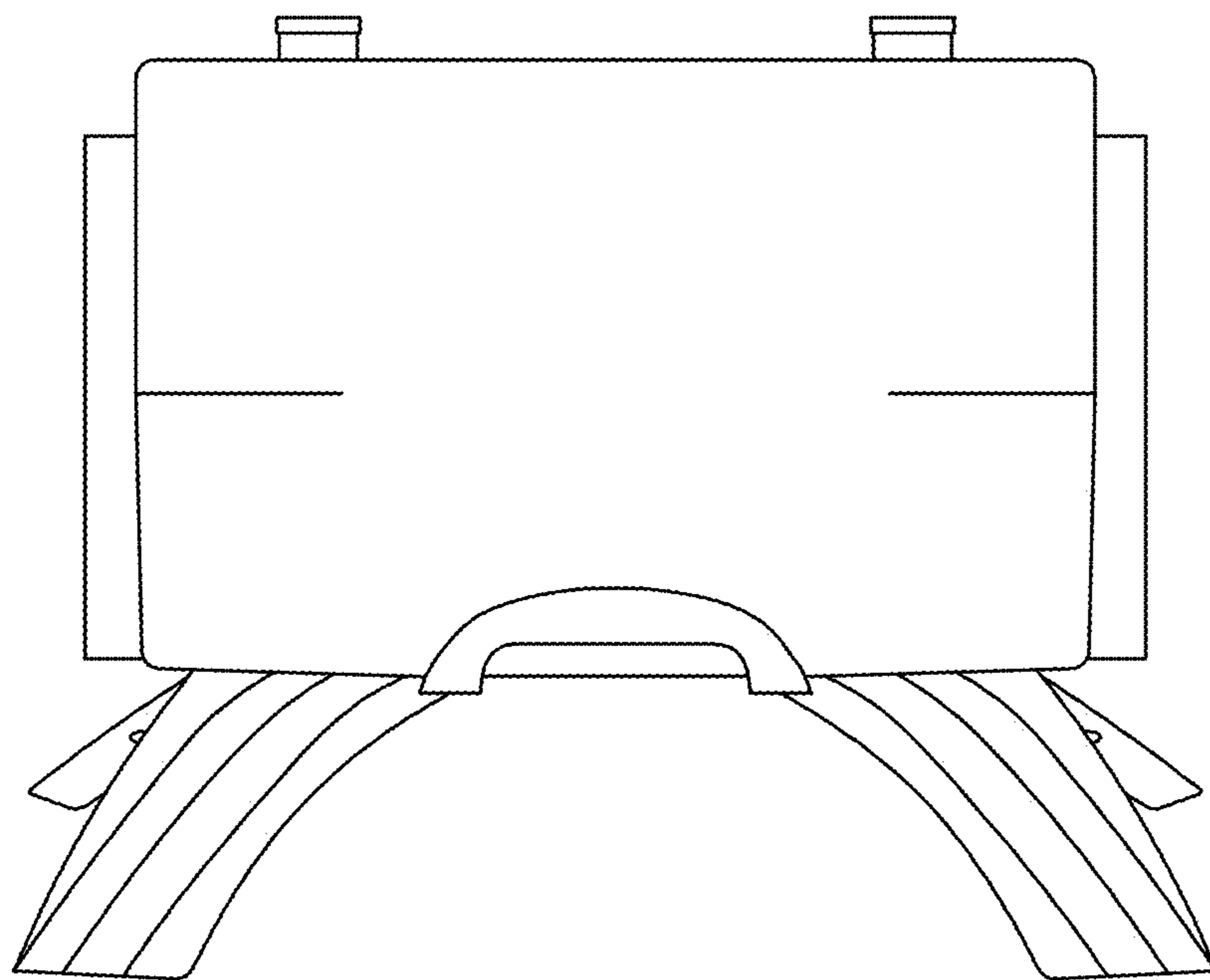


FIG. 6

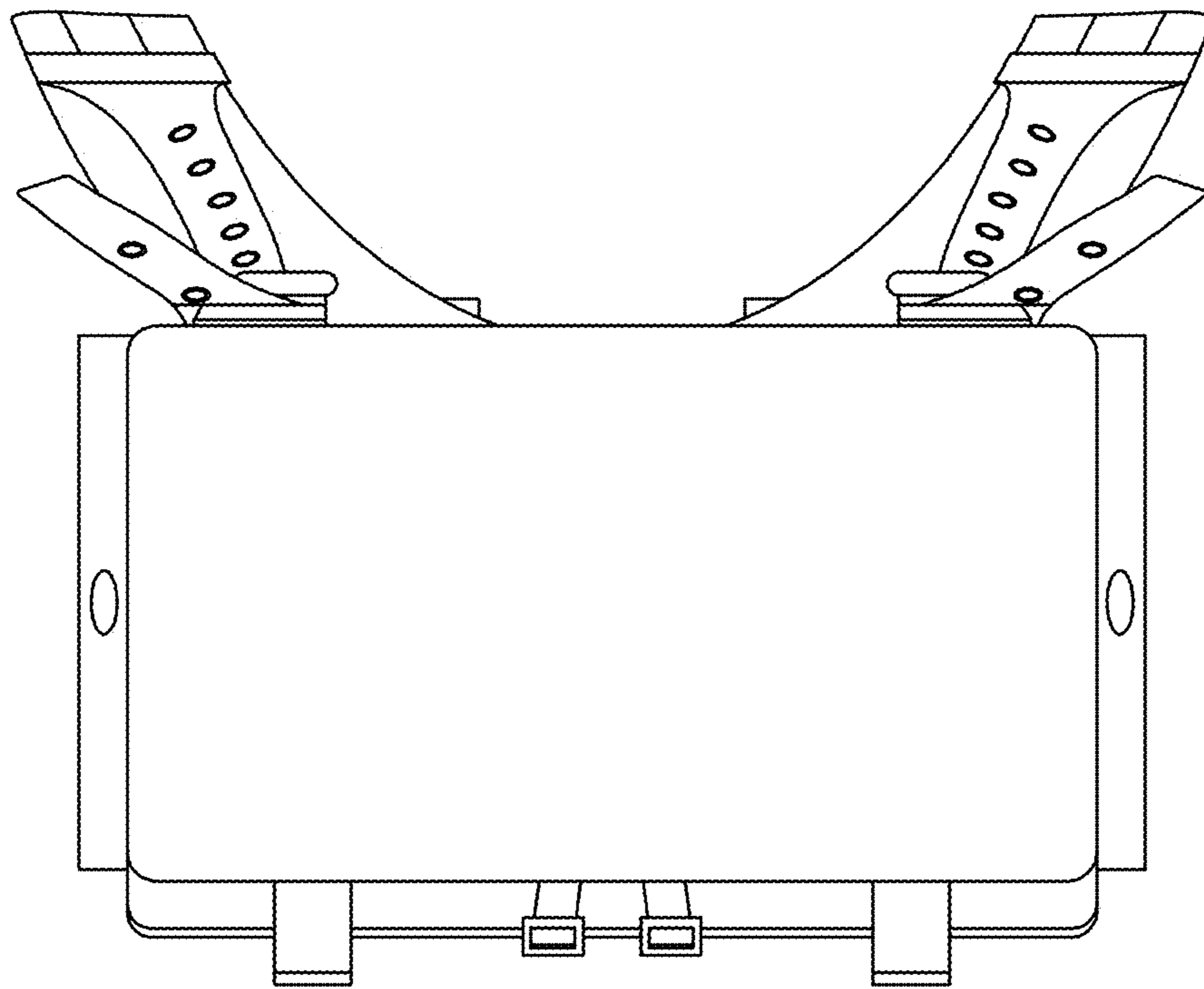


FIG. 7