



US00D905956S

(12) **United States Design Patent** (10) **Patent No.:** **US D905,956 S**
Rivera (45) **Date of Patent:** **** Dec. 29, 2020**

(54) **FIRST AID KIT**
(71) Applicant: **George Rivera**, Walnut, CA (US)
(72) Inventor: **George Rivera**, Walnut, CA (US)
(**) Term: **15 Years**
(21) Appl. No.: **29/702,517**
(22) Filed: **Aug. 20, 2019**
(51) **LOC (12) Cl.** **03-01**
(52) **U.S. Cl.**
USPC **D3/203.6**
(58) **Field of Classification Search**
USPC D3/201, 203.1–203.8, 273, 294
CPC . A45C 5/00; A45C 11/00; A61F 17/00; Y10S
206/803
See application file for complete search history.

D512,216 S * 12/2005 Joyce D3/203.6
D516,801 S * 3/2006 Jones, III D3/203.2
D523,743 S * 6/2006 Solowiejko D3/294
D527,182 S * 8/2006 Ham D3/274
D531,025 S * 10/2006 Tanner D9/426
D538,031 S * 3/2007 Costa D3/203.1
D540,035 S * 4/2007 Gerard D3/263
D540,536 S * 4/2007 Lam D3/203.6
D548,970 S * 8/2007 Huang D3/294
D565,298 S * 4/2008 Braun D3/273
D565,842 S * 4/2008 Falcone D3/294
D566,395 S * 4/2008 Langer D3/294
D566,484 S * 4/2008 George D3/294
D592,398 S * 5/2009 Roesler D3/294
D592,399 S * 5/2009 Sage D3/295
D593,316 S * 6/2009 Ruwiel D3/203.2
D612,152 S * 3/2010 Roesler D3/294
D618,240 S * 6/2010 Larmour D14/358
D624,316 S * 9/2010 Ferber D3/294
D634,115 S * 3/2011 Long, Jr. D3/201
D651,393 S * 1/2012 Coleman D3/203.6
(Continued)

(56) **References Cited**

U.S. PATENT DOCUMENTS

D269,249 S * 6/1983 Cillario D9/424
4,454,889 A * 6/1984 Contreras, Sr. A45C 11/22
132/301
4,863,034 A * 9/1989 Contreras, Sr. A45D 40/22
206/581
D333,727 S * 3/1993 Schurman D3/292
D367,211 S * 2/1996 Cautereels D3/294
D423,772 S * 5/2000 Cooper D3/201
D425,294 S * 5/2000 Haverstick D3/203.1
D448,154 S * 9/2001 Mann D3/203.1
D458,127 S * 6/2002 de Groote D3/294
D459,886 S * 7/2002 Jones D3/294
D483,559 S * 12/2003 Eldon, III D3/203.1
D487,192 S * 3/2004 Farnham D3/294
D488,928 S * 4/2004 Foley D3/283
D494,359 S * 8/2004 Eldon, III D3/203.5
D506,065 S * 6/2005 Sugino D13/103
D510,187 S * 10/2005 Chan D3/247
D511,039 S * 11/2005 Gerard D3/263

Primary Examiner — Steven J Czyz

(74) *Attorney, Agent, or Firm* — Morland C. Fischer

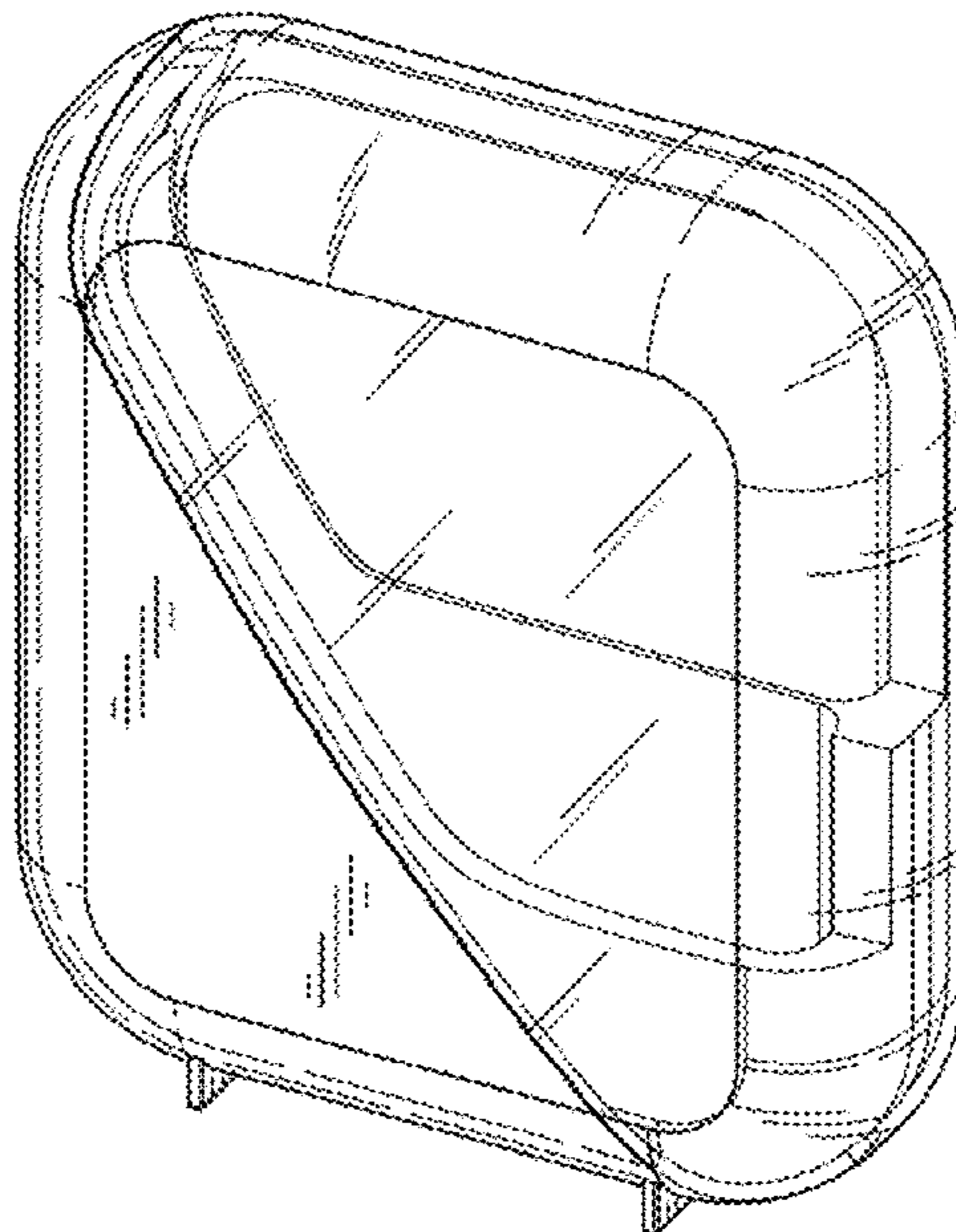
(57) **CLAIM**

The ornamental design for a first aid kit, as shown and described.

DESCRIPTION

FIG. 1 is a perspective view showing the front, top and right side of a first aid kit which forms my new design;
FIG. 2 is a perspective view showing the rear, top and left side thereof;
FIG. 3 is a top plan view thereof;
FIG. 4 is a front elevational view thereof;
FIG. 5 is a right side elevational view thereof;
FIG. 6 is a left side elevational view thereof;
FIG. 7 is a rear elevational view thereof; and,
FIG. 8 is a bottom plan view thereof.

1 Claim, 3 Drawing Sheets



(56)

References Cited

U.S. PATENT DOCUMENTS

D661,897 S * 6/2012 Kohler D3/294
 D666,811 S * 9/2012 Yang D3/247
 D672,554 S * 12/2012 Penttinen D3/273
 D672,660 S * 12/2012 Vural D9/721
 D672,952 S * 12/2012 Yang D3/247
 D675,434 S * 2/2013 Vernall D3/294
 D675,823 S * 2/2013 Vernall D3/294
 D681,937 S * 5/2013 Peterson D3/203.6
 D685,185 S * 7/2013 Bulzis D3/266
 D693,999 S * 11/2013 Alexander D3/203.2
 D694,102 S * 11/2013 Bellamah D9/424
 D706,643 S * 6/2014 Akana D9/721
 D707,446 S * 6/2014 Svahn D3/273
 D709,384 S * 7/2014 Vural D9/721
 D720,526 S * 1/2015 Lopez-Stout D3/205
 D728,218 S * 5/2015 Goldstein D3/203.6
 D731,793 S * 6/2015 Houghton D3/294
 D734,944 S * 7/2015 Levinson D3/242
 D735,476 S * 8/2015 Duvigneau D3/294
 D735,991 S * 8/2015 Brennan D3/273
 D740,653 S * 10/2015 Akana D9/418

D772,572 S * 11/2016 Palmborg D3/294
 D775,818 S * 1/2017 Ingraham D3/218
 9,580,231 B2 * 2/2017 Sanguinet B65D 83/00
 D784,015 S * 4/2017 Woodhouse D3/276
 D795,874 S * 8/2017 Szeremeta D14/432
 D806,388 S * 1/2018 Akana D3/294
 D806,533 S * 1/2018 Gruhl D9/420
 D818,268 S * 5/2018 Akana D3/294
 D829,213 S * 9/2018 Szeremeta D14/432
 D832,572 S * 11/2018 Bae D3/201
 D839,583 S * 2/2019 Cao D3/201
 D840,146 S * 2/2019 Hauss D3/203.3
 D846,264 S * 4/2019 Wu D3/201
 D852,506 S * 7/2019 Clayton D3/294
 D863,677 S * 10/2019 Chung D27/172
 D871,055 S * 12/2019 Fornarelli D3/203.3
 D876,821 S * 3/2020 Lee D3/203.3
 D879,461 S * 3/2020 Burts D3/203.1
 D882,262 S * 4/2020 Zhang D3/294
 D886,454 S * 6/2020 Williamson D3/294
 D886,455 S * 6/2020 Williamson D3/294
 D887,701 S * 6/2020 Schaepers D3/203.1
 D887,702 S * 6/2020 Lee D3/203.1

* cited by examiner

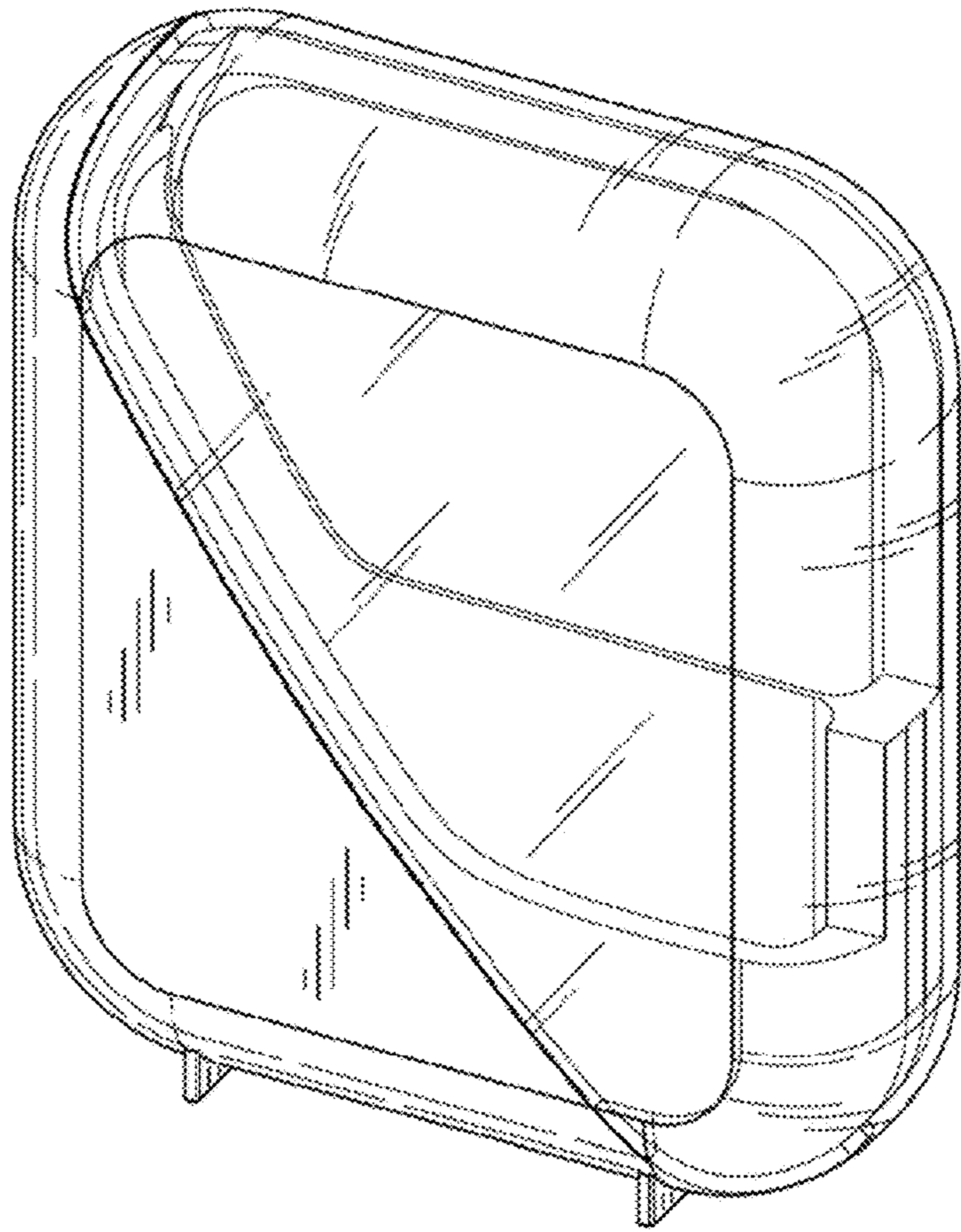


FIG. 1

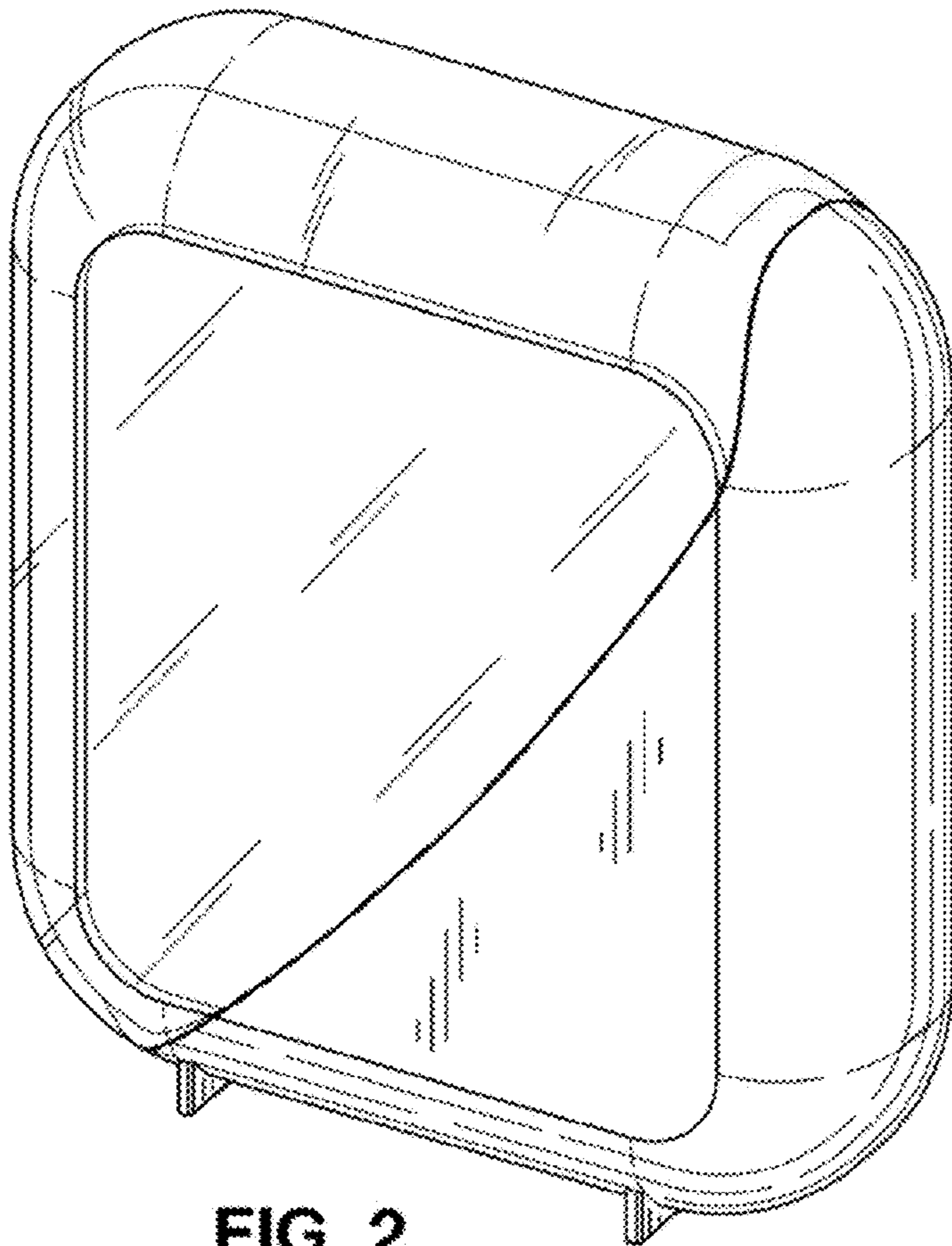


FIG. 2

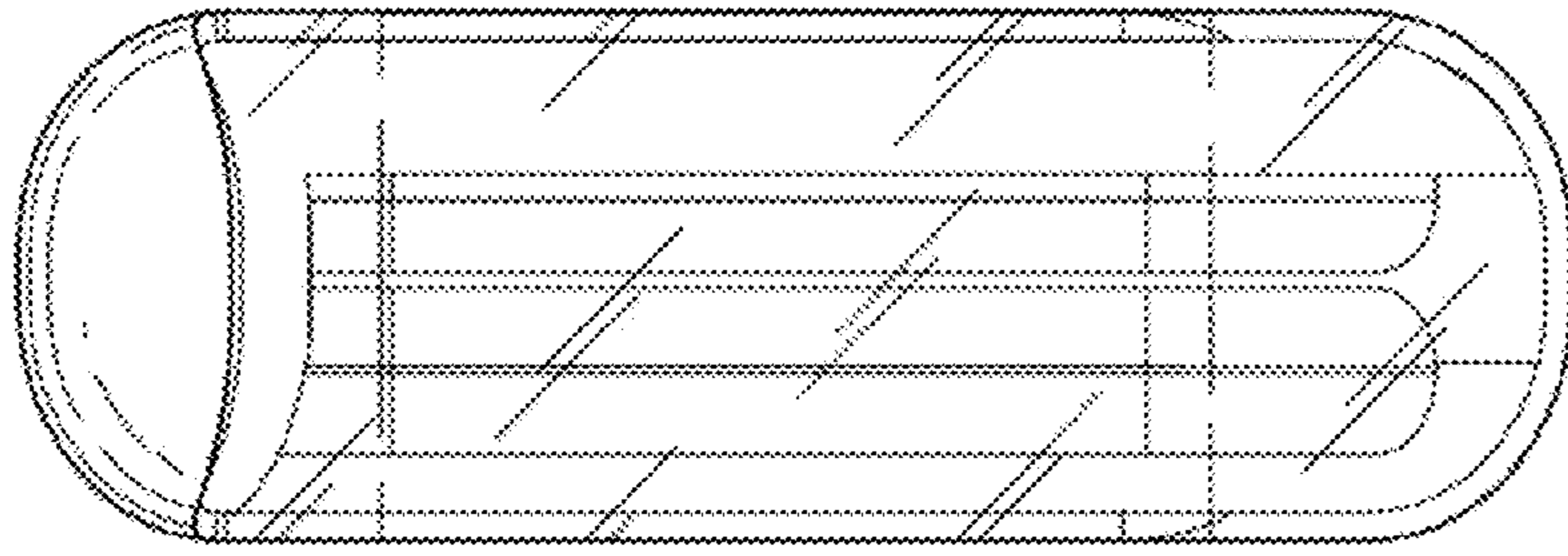


FIG. 3

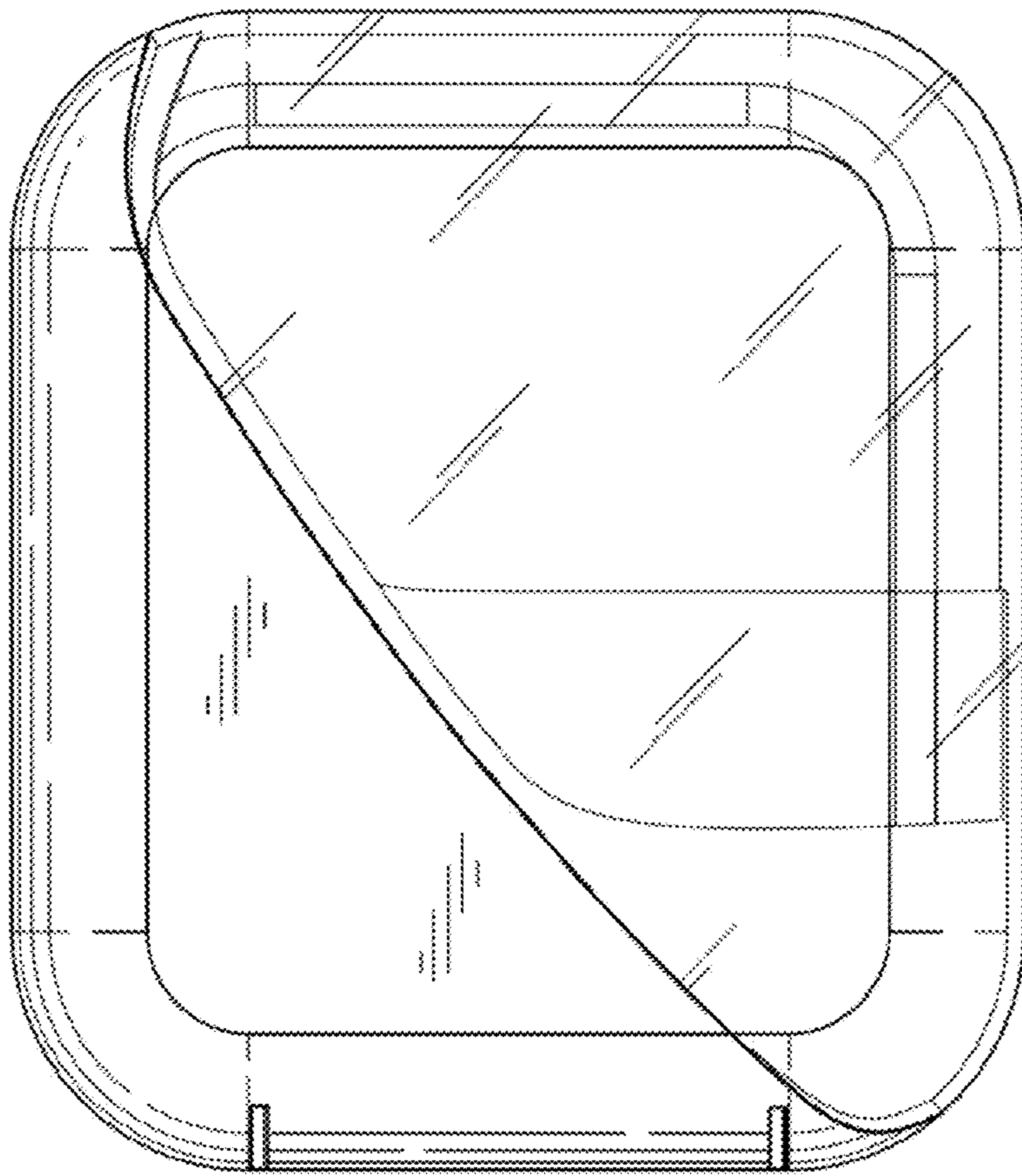


FIG. 4

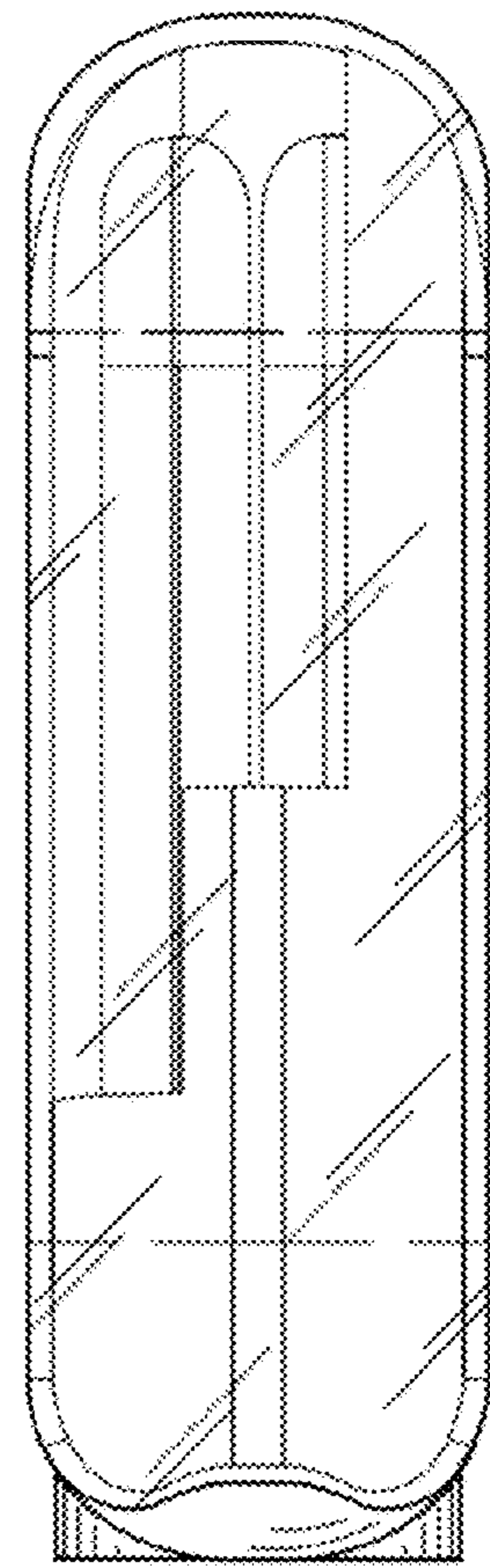


FIG. 5

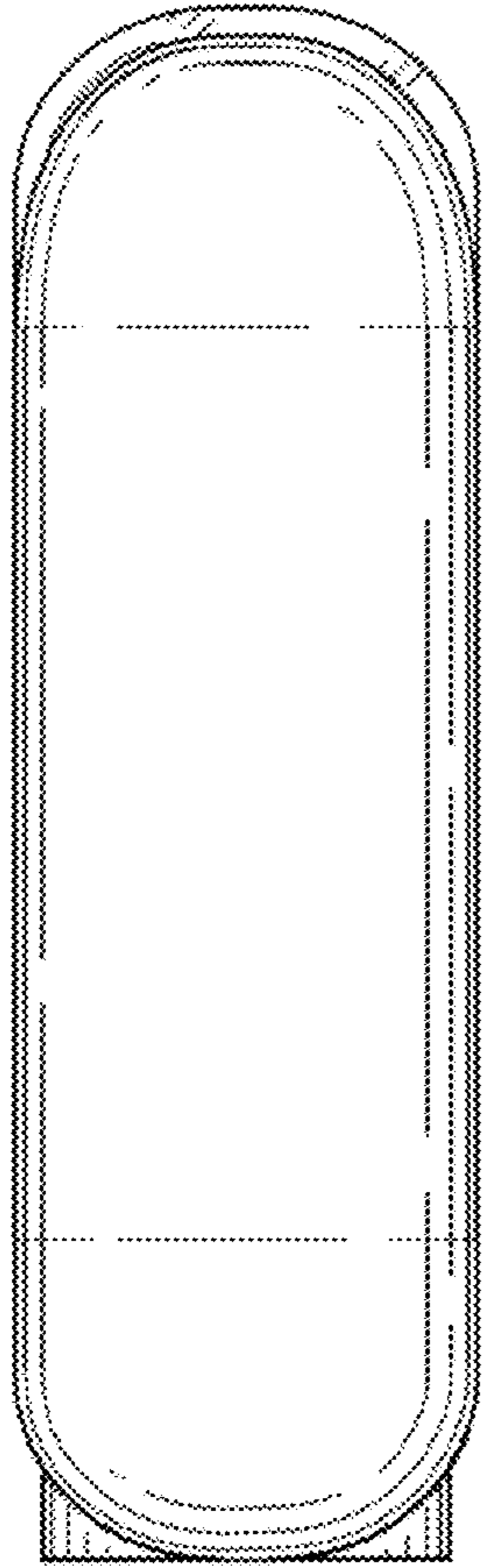


FIG. 6

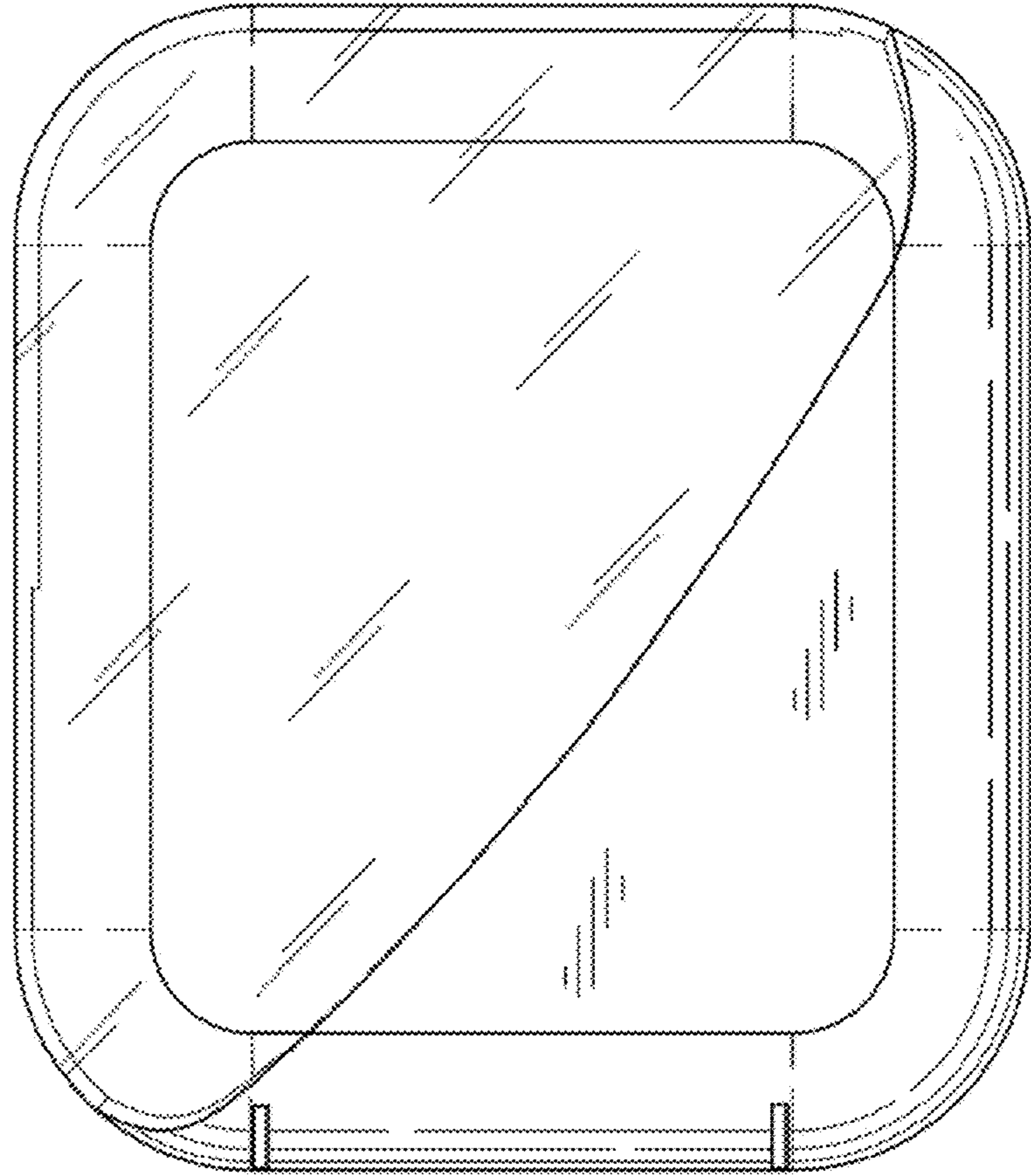


FIG. 7

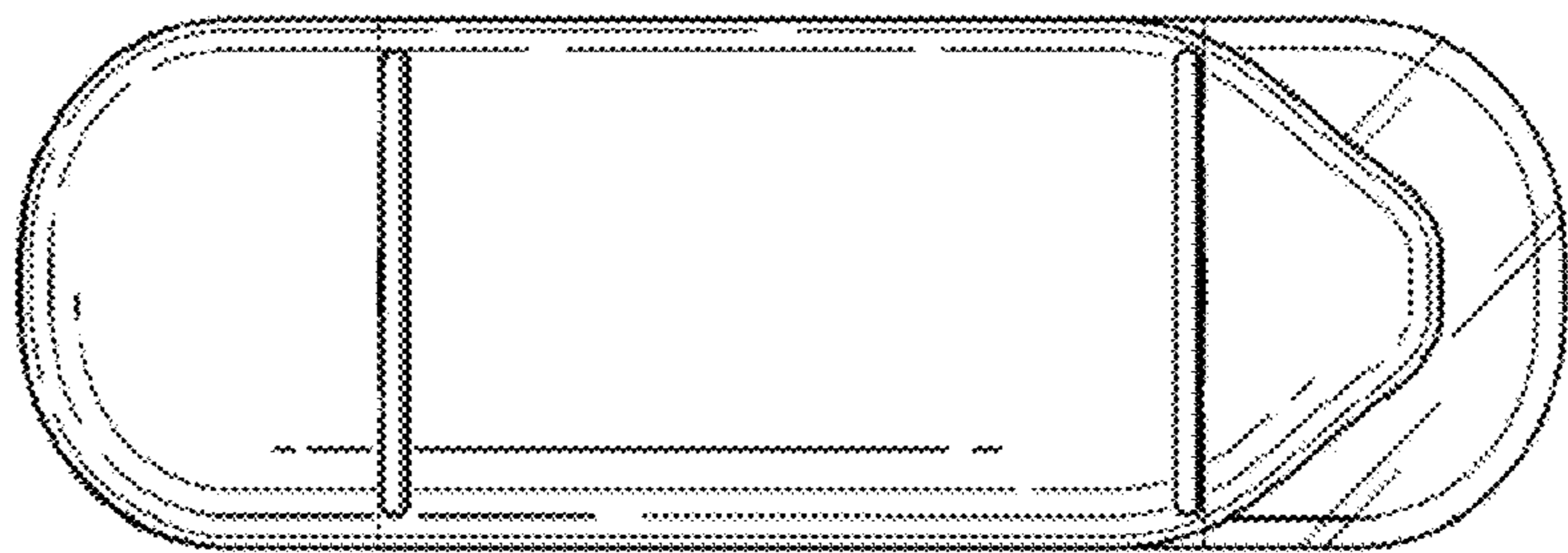


FIG. 8