



US00D905955S

(12) **United States Design Patent**
Nelson

(10) **Patent No.:** **US D905,955 S**

(45) **Date of Patent:** **** Dec. 29, 2020**

(54) **WALKING AID**

(71) Applicant: **Craig Edward Nelson**, Seattle, WA
(US)

(72) Inventor: **Craig Edward Nelson**, Seattle, WA
(US)

(**) Term: **15 Years**

(21) Appl. No.: **29/733,469**

(22) Filed: **May 2, 2020**

Related U.S. Application Data

(62) Division of application No. 29/639,798, filed on Mar. 8, 2018, now Pat. No. Des. 897,091.

(51) **LOC (12) Cl.** **03-03**

(52) **U.S. Cl.**
USPC **D3/7**

(58) **Field of Classification Search**

USPC D3/5, 6, 7, 8, 9, 10; D6/672, 681, 681.1,
D6/681.2, 682, 682.6; D14/225, 227,
D14/229; D16/242, 244

CPC A45B 1/00; A45B 3/00; A45B 7/00; A45B
9/00; A45B 9/04; A45B 2009/002; A45B
2009/005; A45B 2009/007; A45B
2200/05; A45B 2200/055; E04H 12/18;
E04H 12/22

See application file for complete search history.

(56) **References Cited**

U.S. PATENT DOCUMENTS

- D153,818 S * 5/1949 Neptune et al. D3/8
- D156,567 S * 12/1949 Schroeder et al. D3/7
- 3,170,475 A * 2/1965 Forbes A45B 9/04
135/80
- 3,208,461 A * 9/1965 Irwin A61H 3/02
135/69

- 3,241,285 A * 3/1966 Baroni E01D 19/125
52/842
- D204,849 S * 5/1966 Thomas et al. D3/8
- 4,106,521 A * 8/1978 Thomas A61H 3/02
135/67
- 4,146,045 A * 3/1979 Grant A61H 3/02
135/66
- 4,253,479 A * 3/1981 Laurent A45B 3/00
135/69
- 4,274,430 A * 6/1981 Schaaf A45B 3/00
135/65
- D304,528 S * 11/1989 Handler D6/681.1
- 5,072,910 A * 12/1991 May F16M 11/10
248/412
- D330,468 S * 10/1992 Jester, Jr. D6/552
- D360,887 S * 8/1995 Karnaze D14/224
- D371,149 S * 6/1996 Usui D16/244
- D392,973 S * 3/1998 Fenner D14/214
- D401,839 S * 12/1998 Krey D8/354
- D457,414 S * 5/2002 Spångmyr D15/142
- D465,352 S * 11/2002 Kim D6/681
- D474,012 S * 5/2003 Beltran D3/10
- D521,720 S * 5/2006 Karasin D3/7
- D538,066 S * 3/2007 Wagner D6/681.1

(Continued)

Primary Examiner — Steven J Czyz

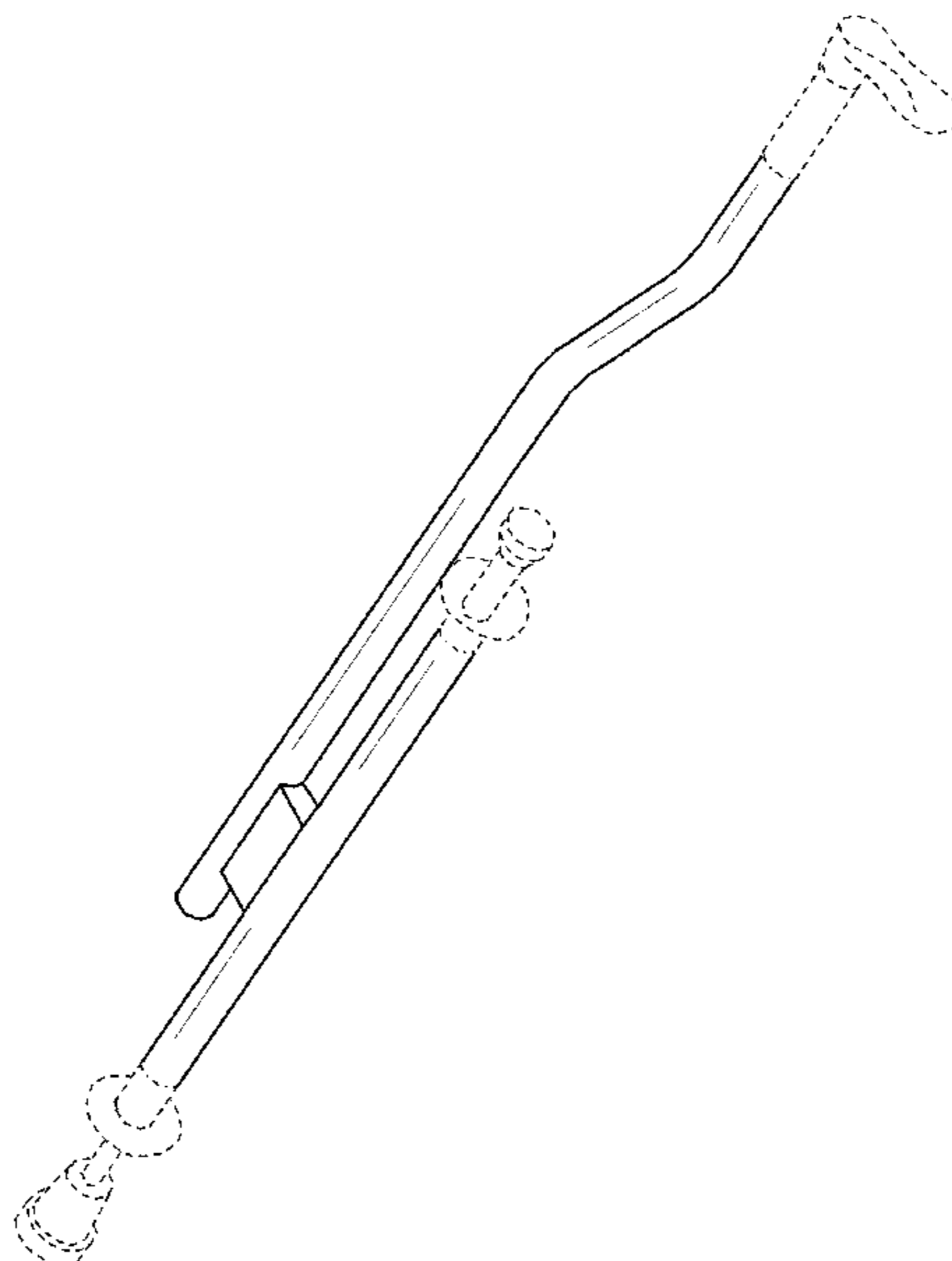
(57) **CLAIM**

I claim the ornamental design for a walking aid, as shown and described.

DESCRIPTION

FIG. 1 is a perspective view of a walking aid
 FIG. 2 is a bottom view thereof
 FIG. 3 is a top view thereof; and,
 FIG. 4 is a left-side view, with the right-side view being a mirror image thereof.
 The dash-dash-dash broken lines depict portions of the article that form no part of the claimed design.
 The dot-dash-dot lines indicate the boundary of the claim and form no part of the claimed design.

1 Claim, 4 Drawing Sheets



(56)

References Cited

U.S. PATENT DOCUMENTS

7,293,827 B2 * 11/2007 Schrader A45B 3/00
135/66
D579,926 S * 11/2008 Whitworth D14/224
D600,945 S * 9/2009 Kelsen D14/451
D606,297 S * 12/2009 Nardone D3/7
D632,069 S * 2/2011 Thiessens D3/7
8,146,615 B1 * 4/2012 Rodriguez A61H 3/02
135/68
9,016,297 B2 * 4/2015 Salomon A45B 1/02
135/66
D730,039 S * 5/2015 Kizaki D3/7
D743,951 S * 11/2015 Slaton D14/229
D760,203 S * 6/2016 Wise D14/227
D760,704 S * 7/2016 Wise D14/227
D779,241 S * 2/2017 Terada D6/681.1
D825,912 S * 8/2018 Evans D3/7
D828,058 S * 9/2018 Khanicheh D6/681
D890,510 S * 7/2020 Crown D3/8

* cited by examiner

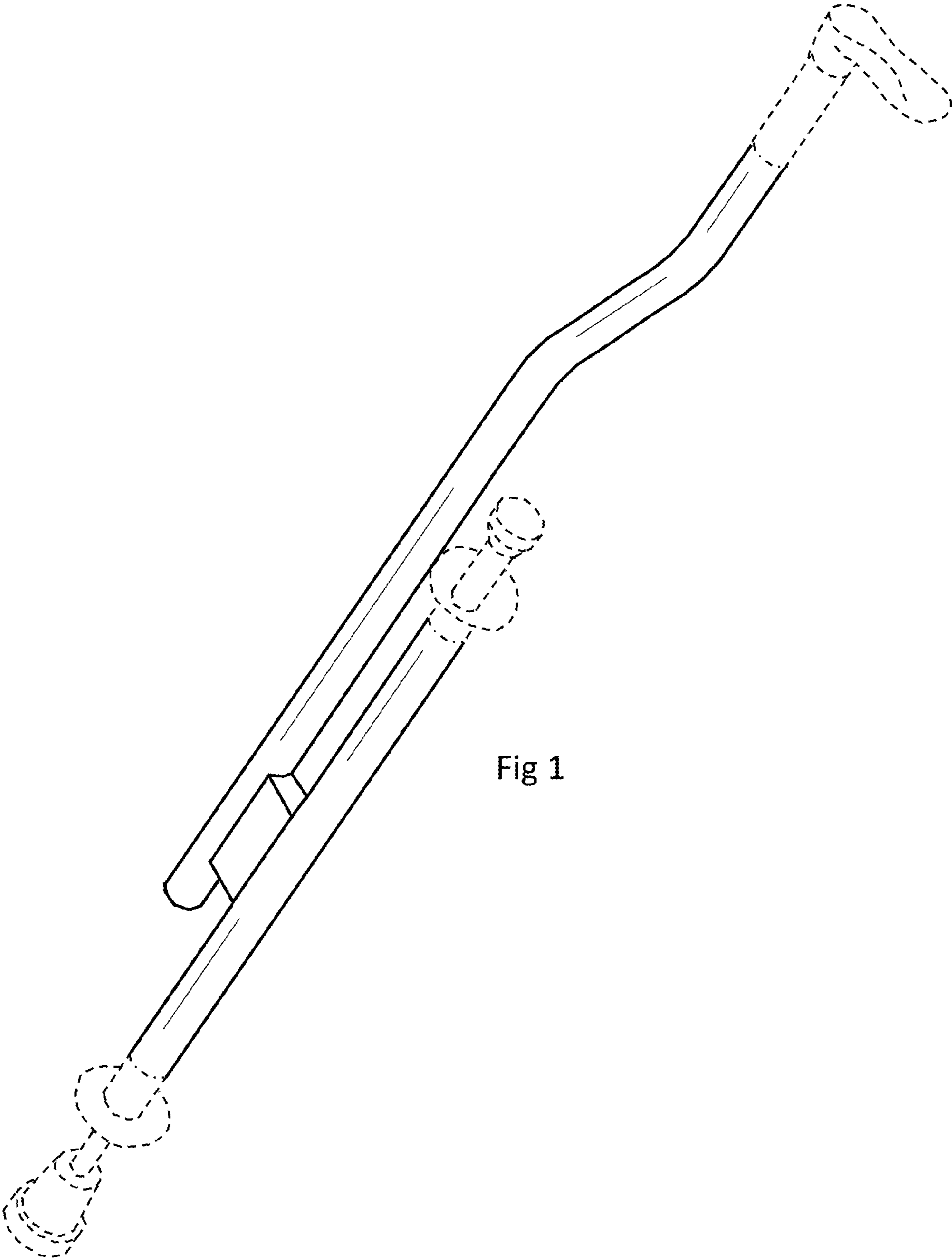


Fig 1

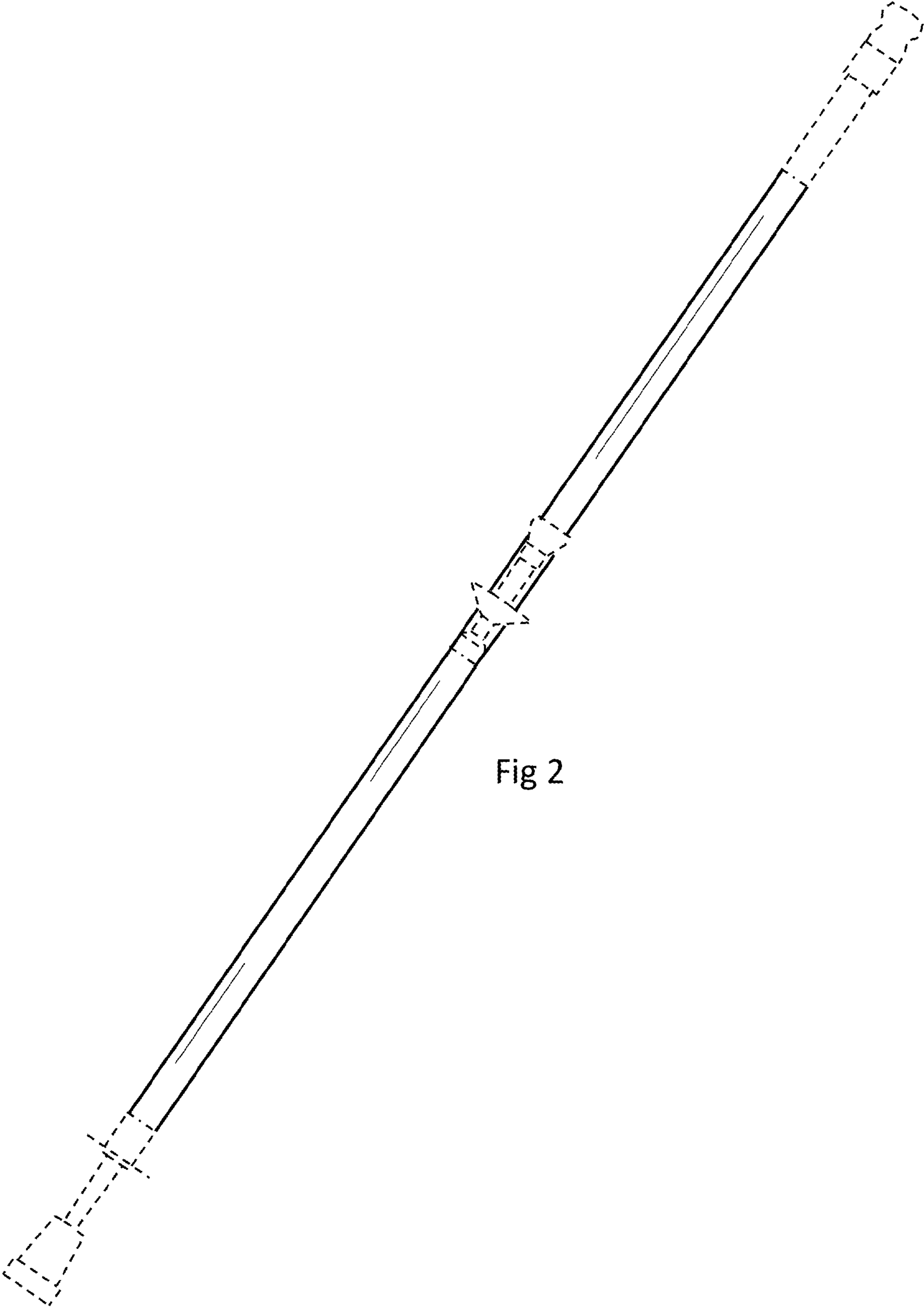


Fig 2

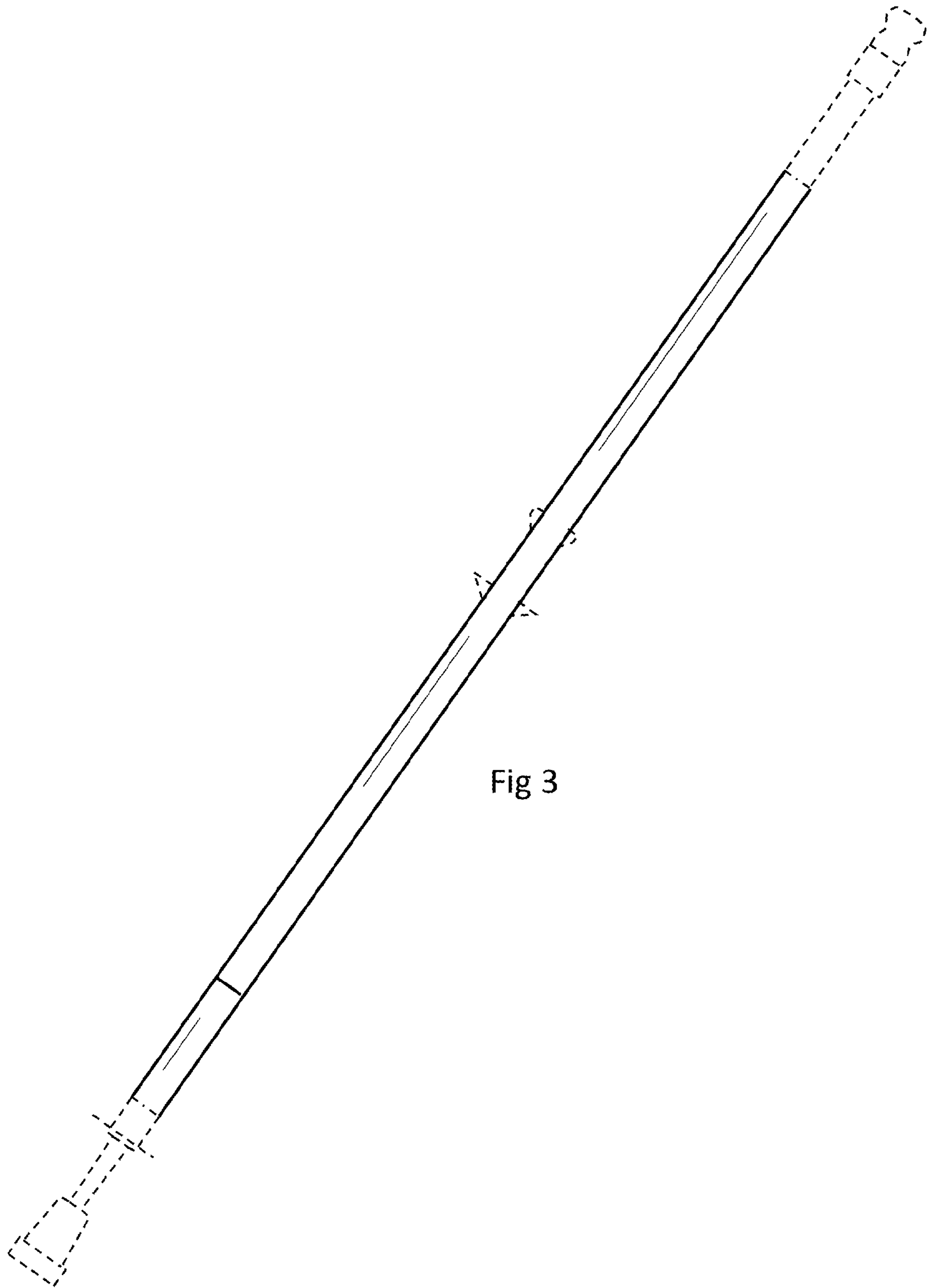


Fig 3

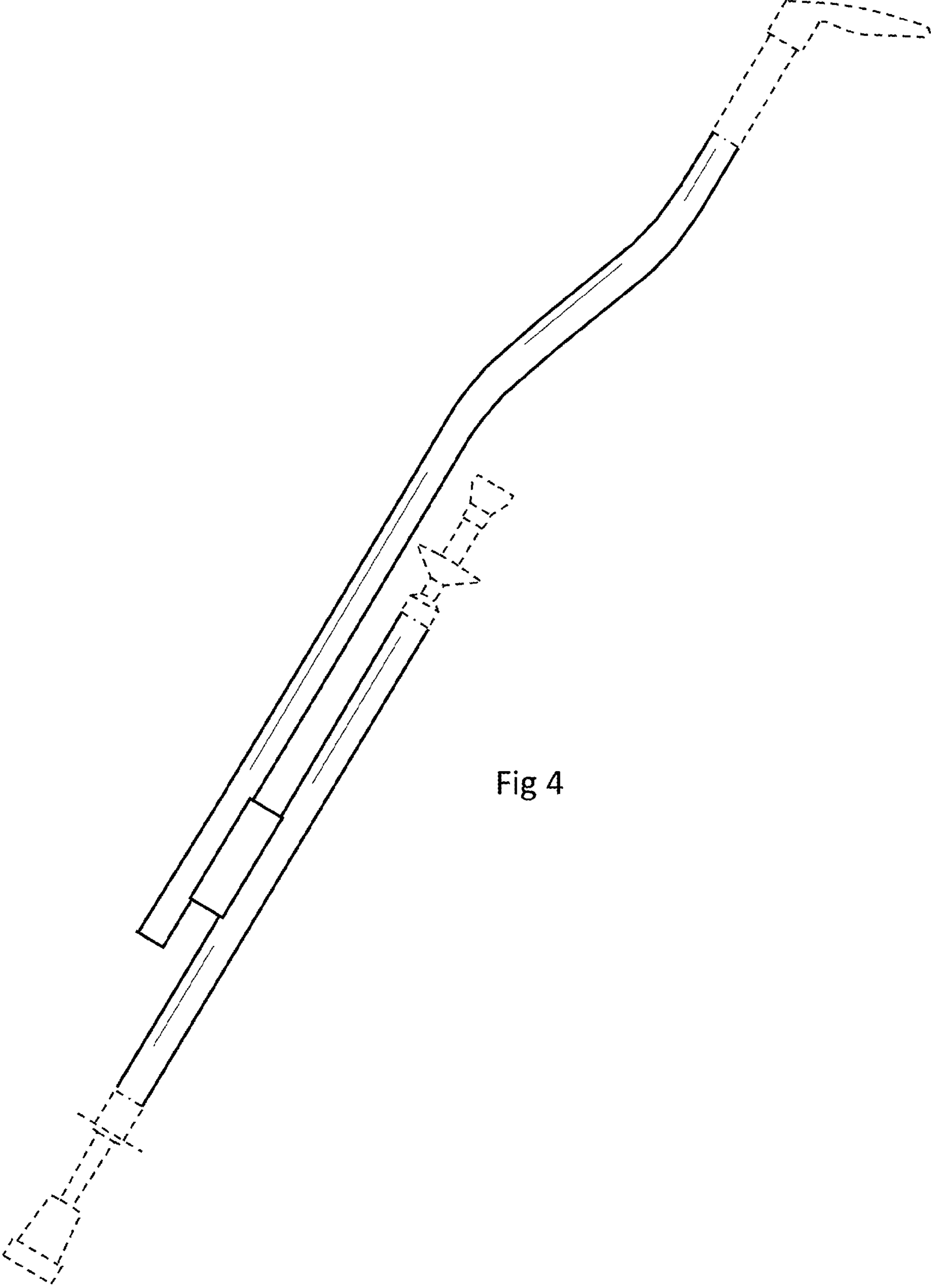


Fig 4