



US00D905939S

(12) **United States Design Patent**  
**Nikolov**

(10) **Patent No.:** **US D905,939 S**

(45) **Date of Patent:** **\*\* Dec. 29, 2020**

(54) **TOE CAP FOR FOOTWEAR**

D520,723 S \* 5/2006 Hoeft ..... D2/972  
D522,223 S \* 6/2006 Murphy ..... D2/972  
D690,497 S \* 10/2013 Anderson ..... D2/972

(71) Applicant: **ECCO Sko A/S**, Bredebro (DK)

\* cited by examiner

(72) Inventor: **Ventsislav Nikolov**, Tønder (DK)

*Primary Examiner* — Rashida C. Walshon

(73) Assignee: **ECCO Sko A/S**, Bredebro (DK)

(74) *Attorney, Agent, or Firm* — Finnegan, Henderson, Farabow, Garrett & Dunner, LLP

(\*\*) Term: **15 Years**

(21) Appl. No.: **29/693,488**

(57) **CLAIM**

(22) Filed: **Jun. 3, 2019**

The ornamental design for a toe cap for footwear, as shown and described.

(51) **LOC (12) Cl.** ..... **02-04**

(52) **U.S. Cl.**  
USPC ..... **D2/909**

**DESCRIPTION**

(58) **Field of Classification Search**  
USPC ..... D2/896, 901, 902, 906, 909, 910, 913,  
D2/914, 915, 948, 954, 962, 972  
CPC ..... A43B 5/185; A43B 5/00; A43B 21/00;  
A43B 21/36; A43C 15/04  
See application file for complete search history.

FIG. 1 is a top, front, right perspective view of a toe cap for footwear showing my new design;  
FIG. 2 is a front elevation view thereof;  
FIG. 3 is a rear elevation view thereof;  
FIG. 4 is a left side view thereof;  
FIG. 5 is a right side view thereof;  
FIG. 6 is a top plan view thereof; and,  
FIG. 7 is a bottom plan view.

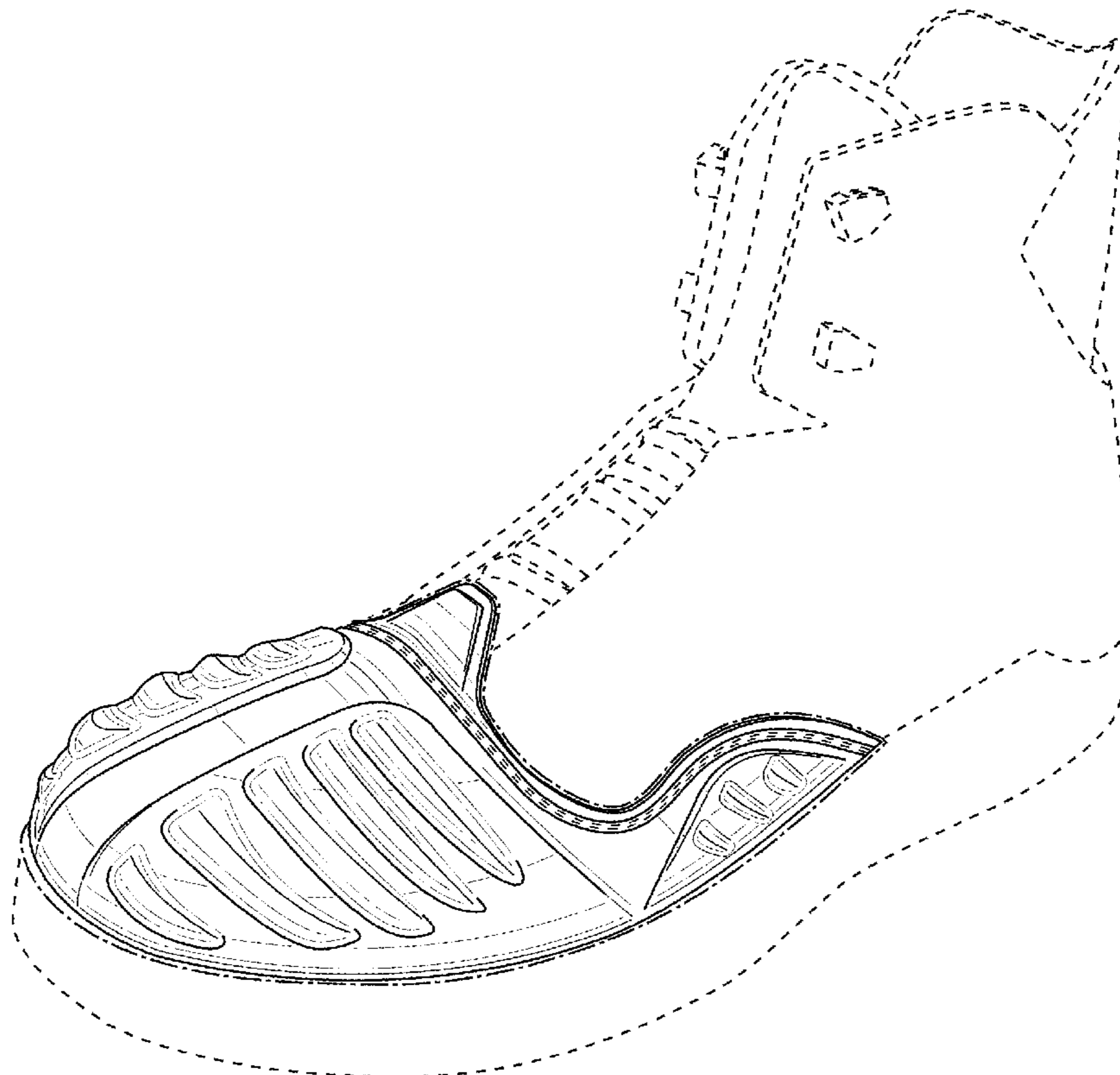
(56) **References Cited**

**U.S. PATENT DOCUMENTS**

D250,617 S \* 12/1978 Noches ..... D2/908  
D291,621 S \* 9/1987 Herman ..... 36/72 R  
D299,884 S \* 2/1989 Brown ..... D2/974  
D412,391 S \* 8/1999 Covatch ..... D2/913  
D493,275 S \* 7/2004 Koyess ..... D2/913  
D517,306 S \* 3/2006 Hoeft ..... D2/972  
D519,271 S \* 4/2006 Hoeft ..... D2/972

The broken lines of even length represent unclaimed environment and form no part of the claimed design. The broken lines of uneven length represent the boundary of the claimed design and form no part of the claimed design. The broken lines of even length near the top edge of the claimed design represent stitch lines and form part of the claimed design.

**1 Claim, 7 Drawing Sheets**



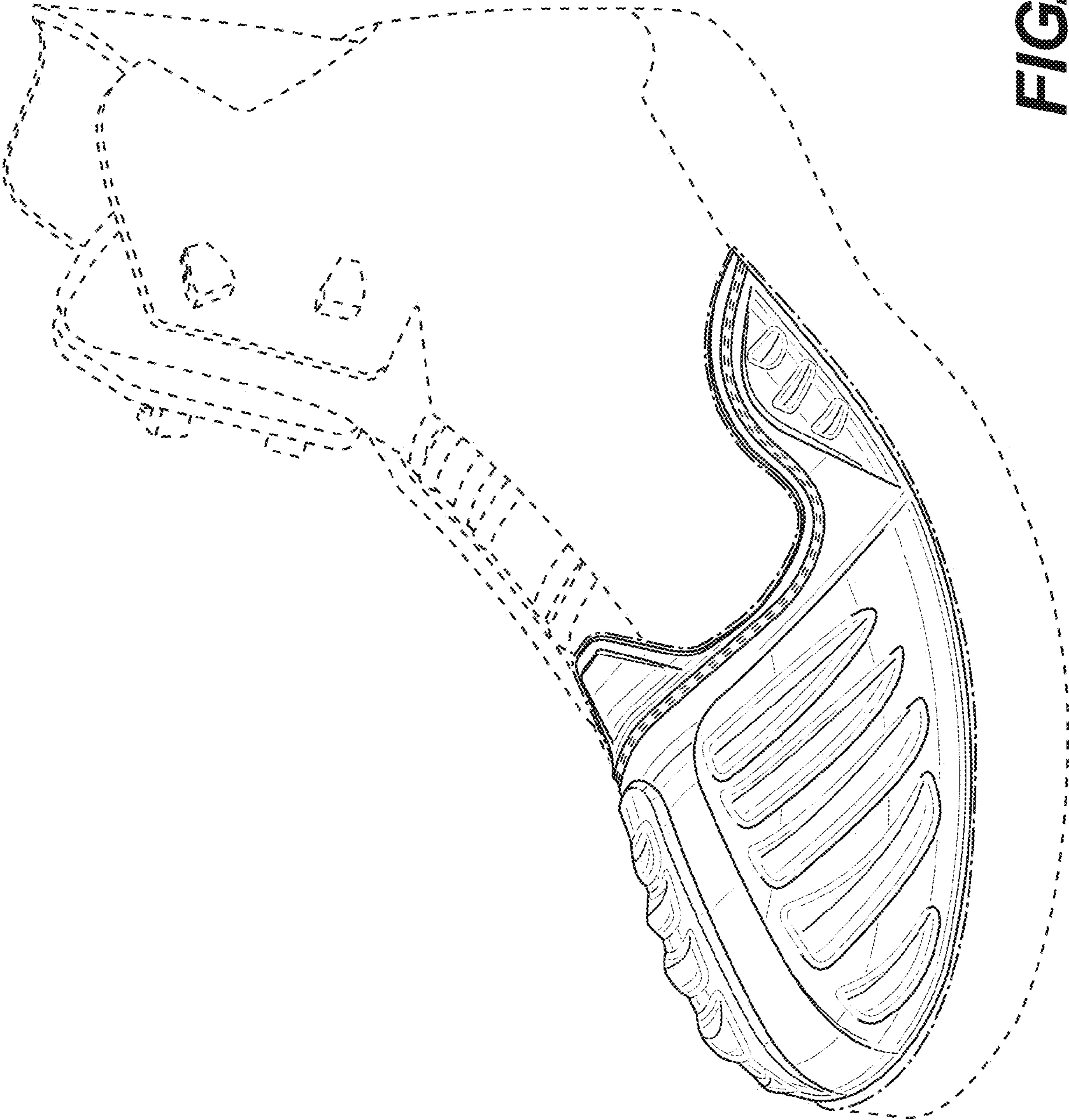
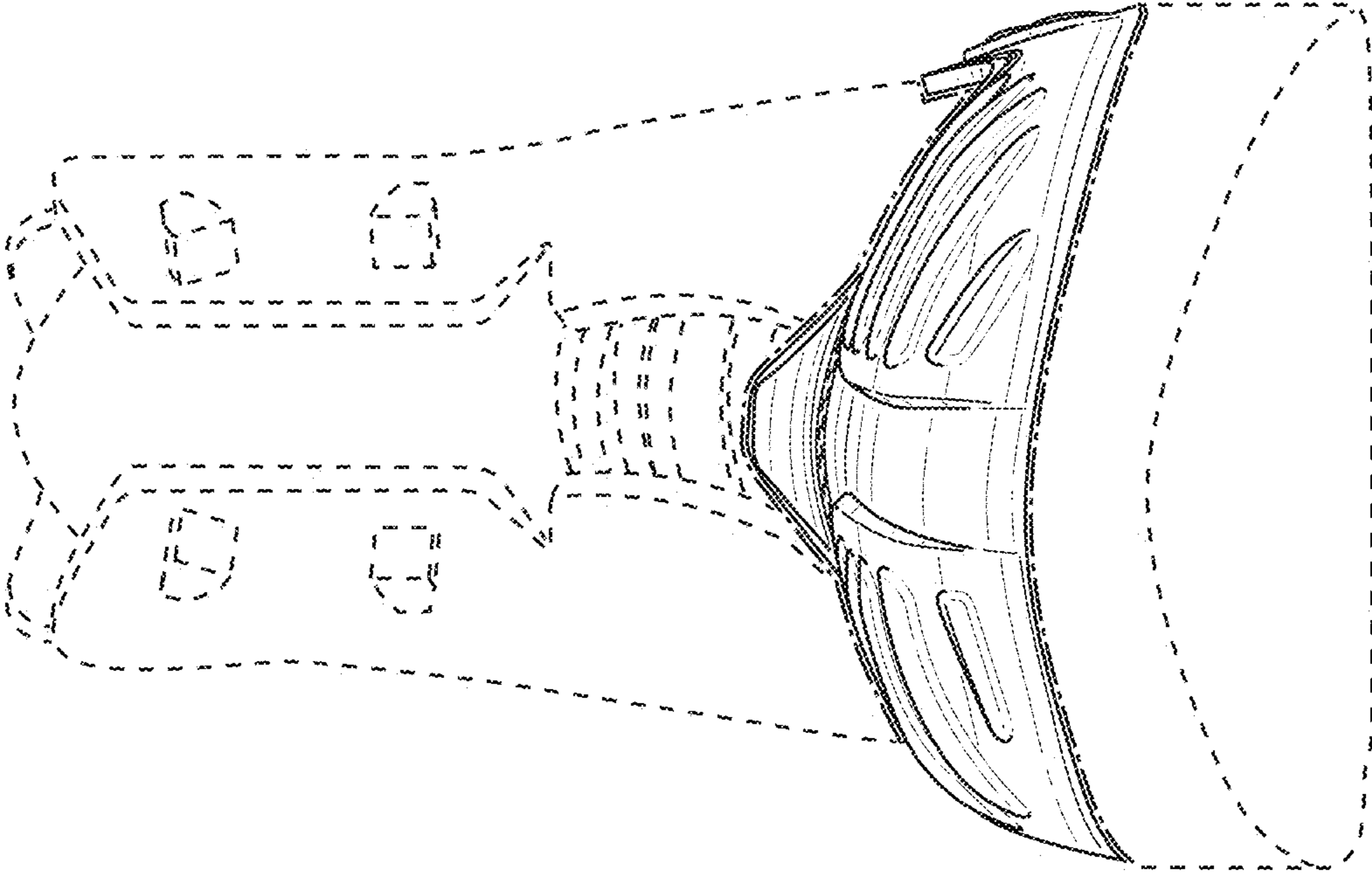
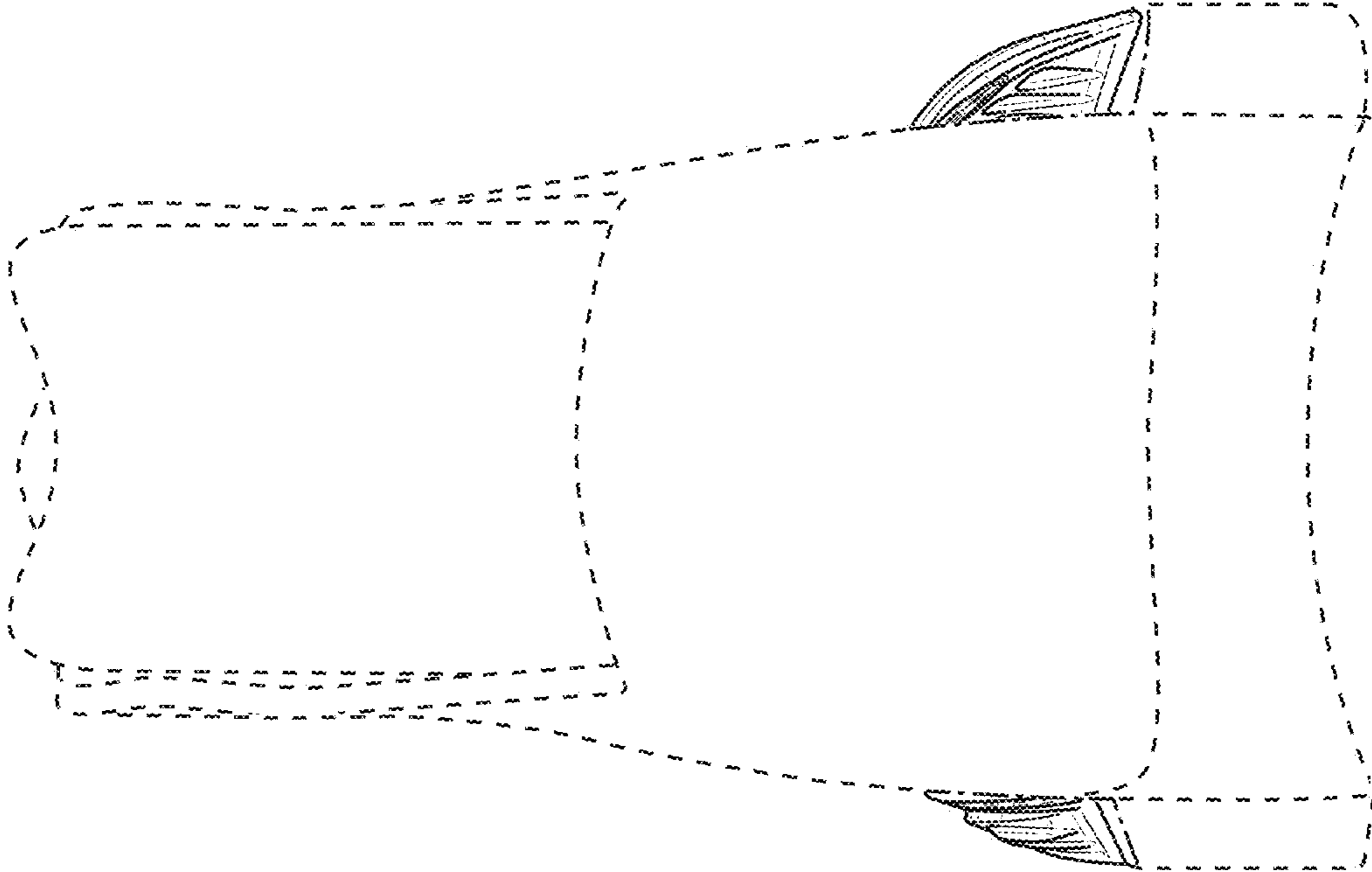


FIG. 1

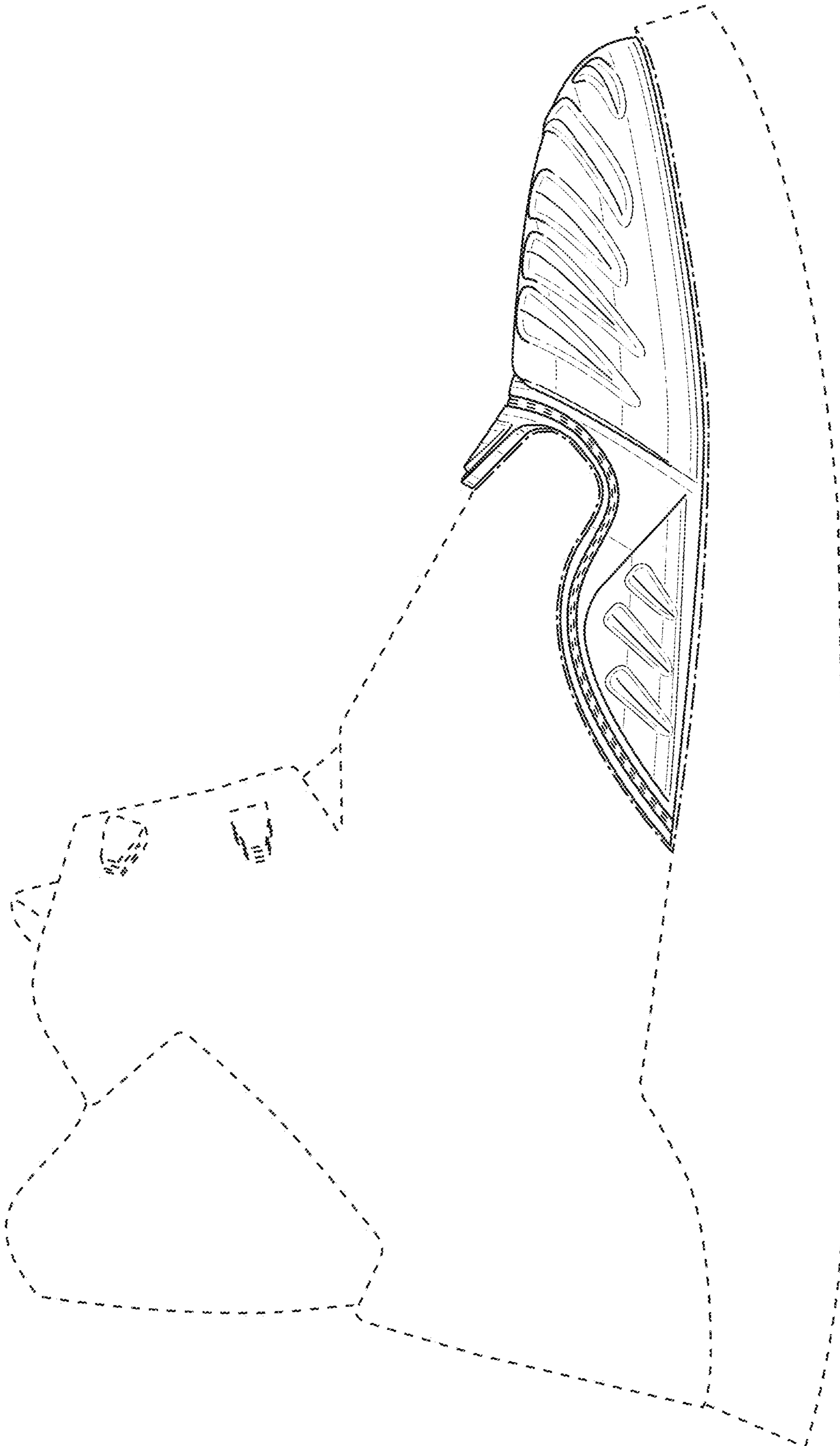


**FIG. 2**

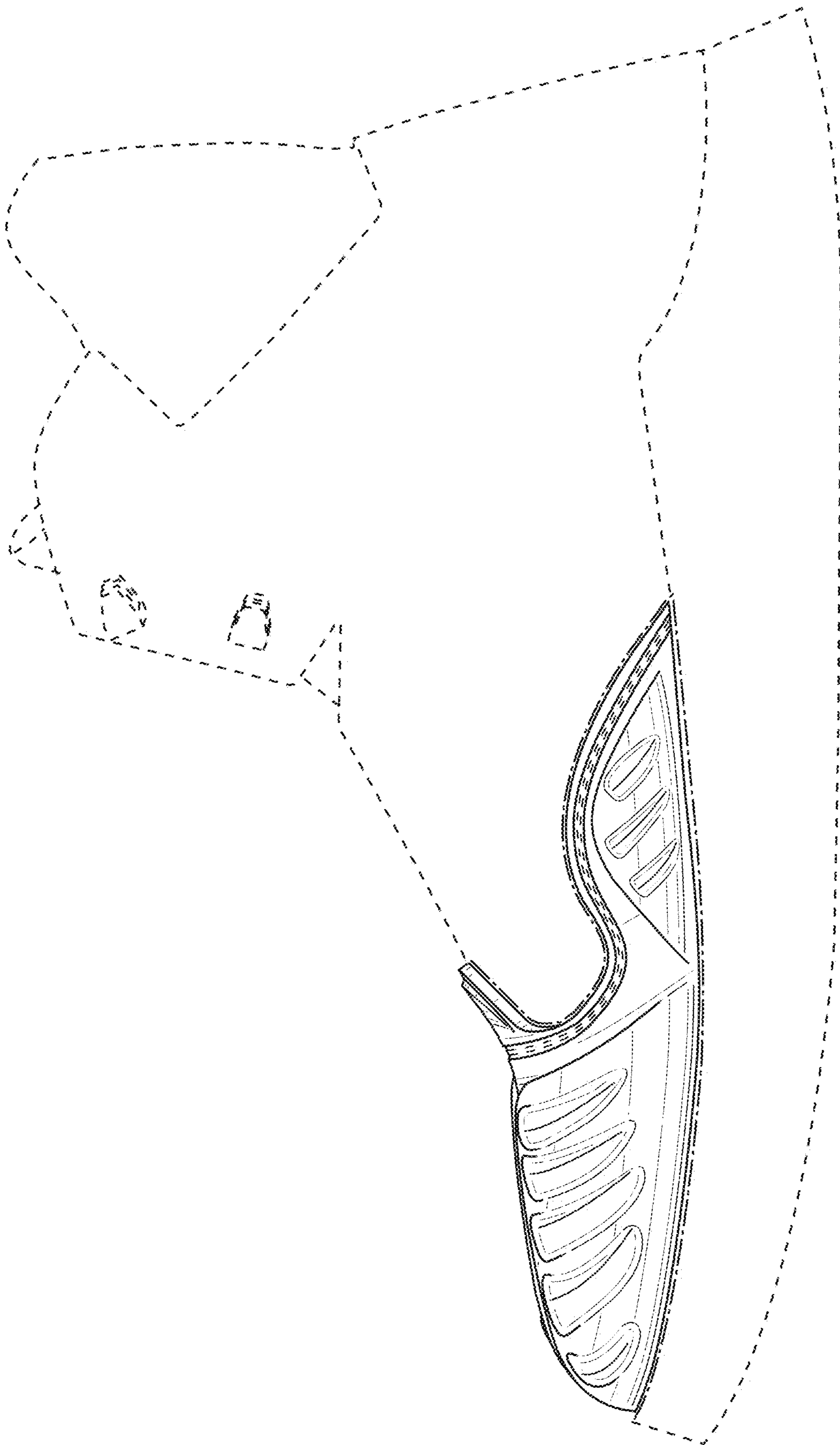


**FIG. 3**





**FIG. 4**



**FIG. 5**

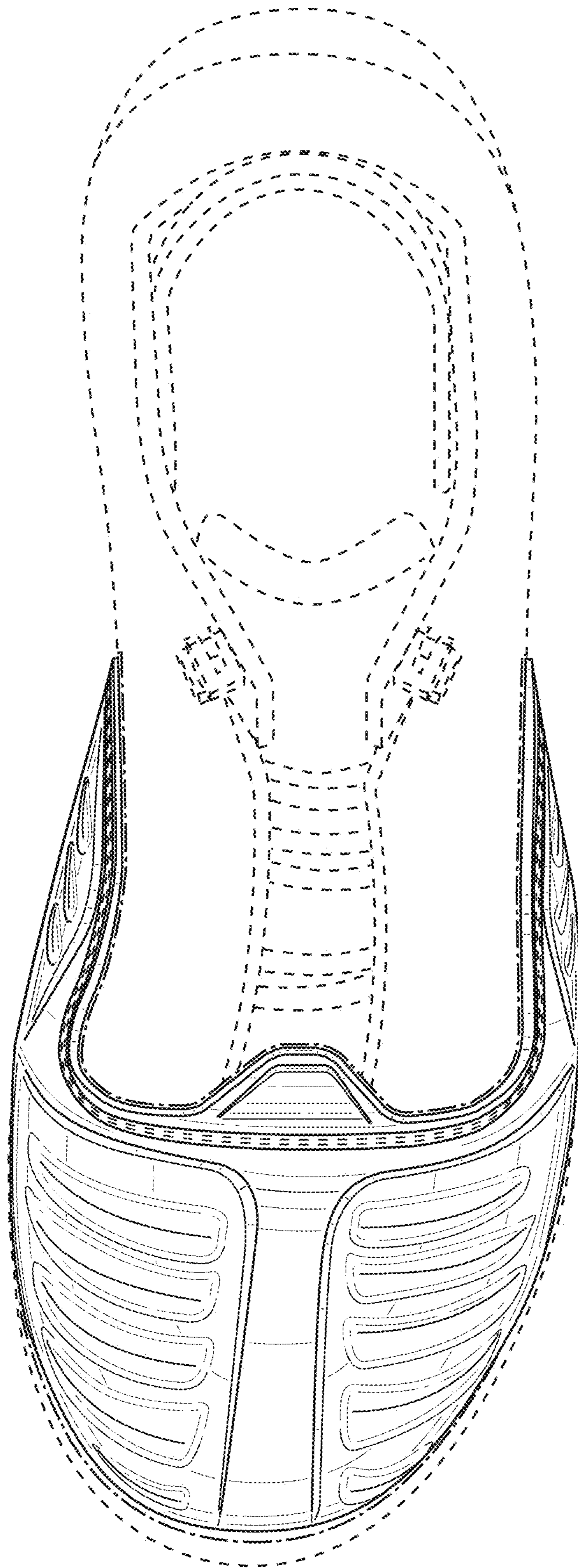
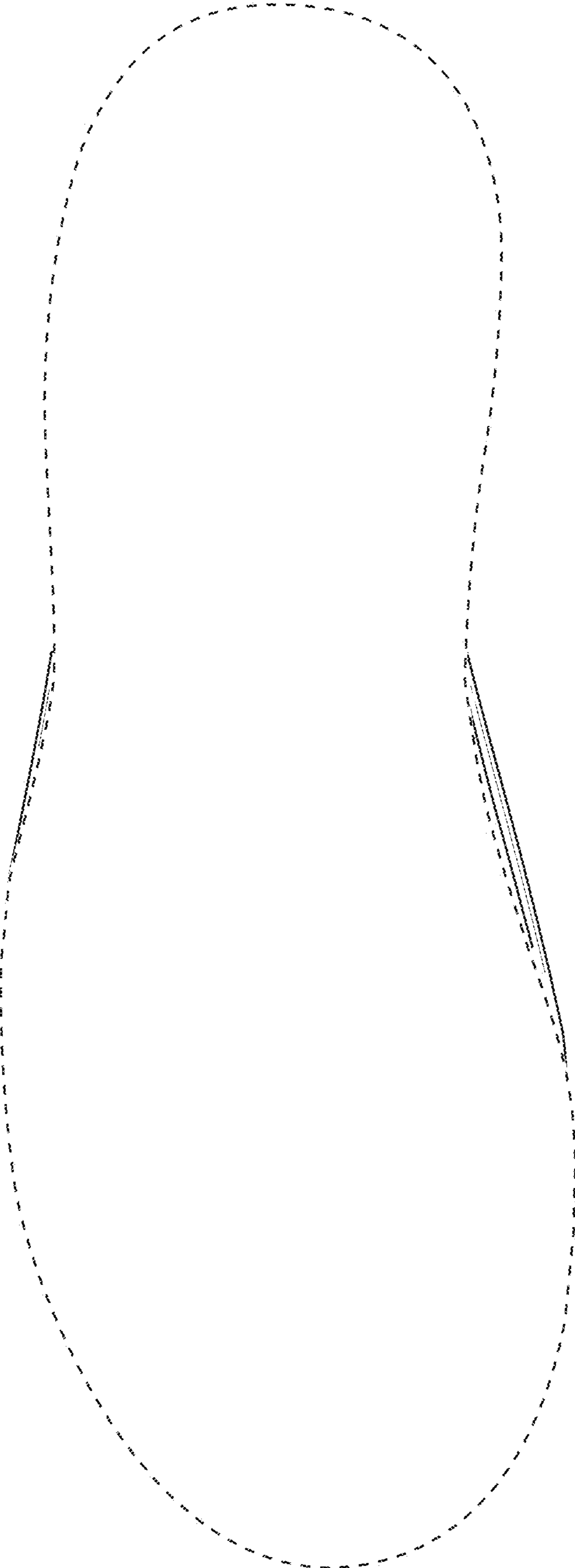


FIG. 6



**FIG. 7**