



US00D905934S

(12) **United States Design Patent** (10) **Patent No.:** **US D905,934 S**
Shaltz Haslup et al. (45) **Date of Patent:** **** Dec. 29, 2020**

(54) **ONESIE**

OTHER PUBLICATIONS

(71) Applicants: **Carrie Ardele Shaltz Haslup**, Los Angeles, CA (US); **Philip Weldon Shaltz**, Flint, MI (US)

Florno Unisex Baby Bodysuits, posted 2019 [online], (retrieved Jul. 10, 2020), Retrieved from the internet, https://www.amazon.com/dp/B07NVVZVDG/ref=sspa_dk_detail_3 (Year: 2019).*

(Continued)

(72) Inventors: **Carrie Ardele Shaltz Haslup**, Los Angeles, CA (US); **Philip Weldon Shaltz**, Flint, MI (US)

Primary Examiner — Kevin K Rudzinski

Assistant Examiner — J. Thorn, Sr.

(74) *Attorney, Agent, or Firm* — One LLP; Joseph K. Liu

(**) Term: **15 Years**

(57) **CLAIM**

(21) Appl. No.: **29/720,974**

The ornamental design for a onesie, as shown and described.

(22) Filed: **Jan. 16, 2020**

DESCRIPTION

(51) **LOC (12) Cl.** **02-02**

FIG. 1 is a perspective front view of a onesie showing my new design;

(52) **U.S. Cl.**

FIG. 2 is a perspective rear view thereof;

USPC **D2/745**

FIG. 3 is a front elevational view thereof;

(58) **Field of Classification Search**

USPC D2/745–746, 733, 712–713

FIG. 4 is a rear elevational view thereof;

CPC A41B 13/08; A41D 11/00; A41D 11/08

FIG. 5 is a left side elevational view thereof;

See application file for complete search history.

FIG. 6 is a right side elevational view thereof;

FIG. 7 is a top plan view thereof;

FIG. 8 is a bottom plan view thereof;

(56) **References Cited**

U.S. PATENT DOCUMENTS

1,125,467 A	1/1915	Cannon
1,424,589 A	8/1922	Kelley Redford
1,435,147 A	11/1922	Burns
1,973,421 A	9/1934	Mina Wallace
2,227,751 A	1/1941	Bernard Idelman
2,524,221 A	10/1950	Feeney
2,528,677 A	11/1950	Wilson
2,613,359 A	10/1952	McBoyce
2,621,336 A	12/1952	Louis Wendroff
2,680,849 A	6/1954	Munro
2,915,758 A	12/1959	Kaufman
D188,893 S	9/1960	Van Brunt
D267,284 S	12/1982	Elizabeth Andrews
4,457,025 A	7/1984	Meryash

(Continued)

FIG. 9 is a close-up view thereof, as referenced in FIG. 1;

FIG. 10 is another close-up view thereof, as referenced in FIG. 2;

FIG. 11 is an environmental view of the onesie of FIG. 1

being worn and closed; and,

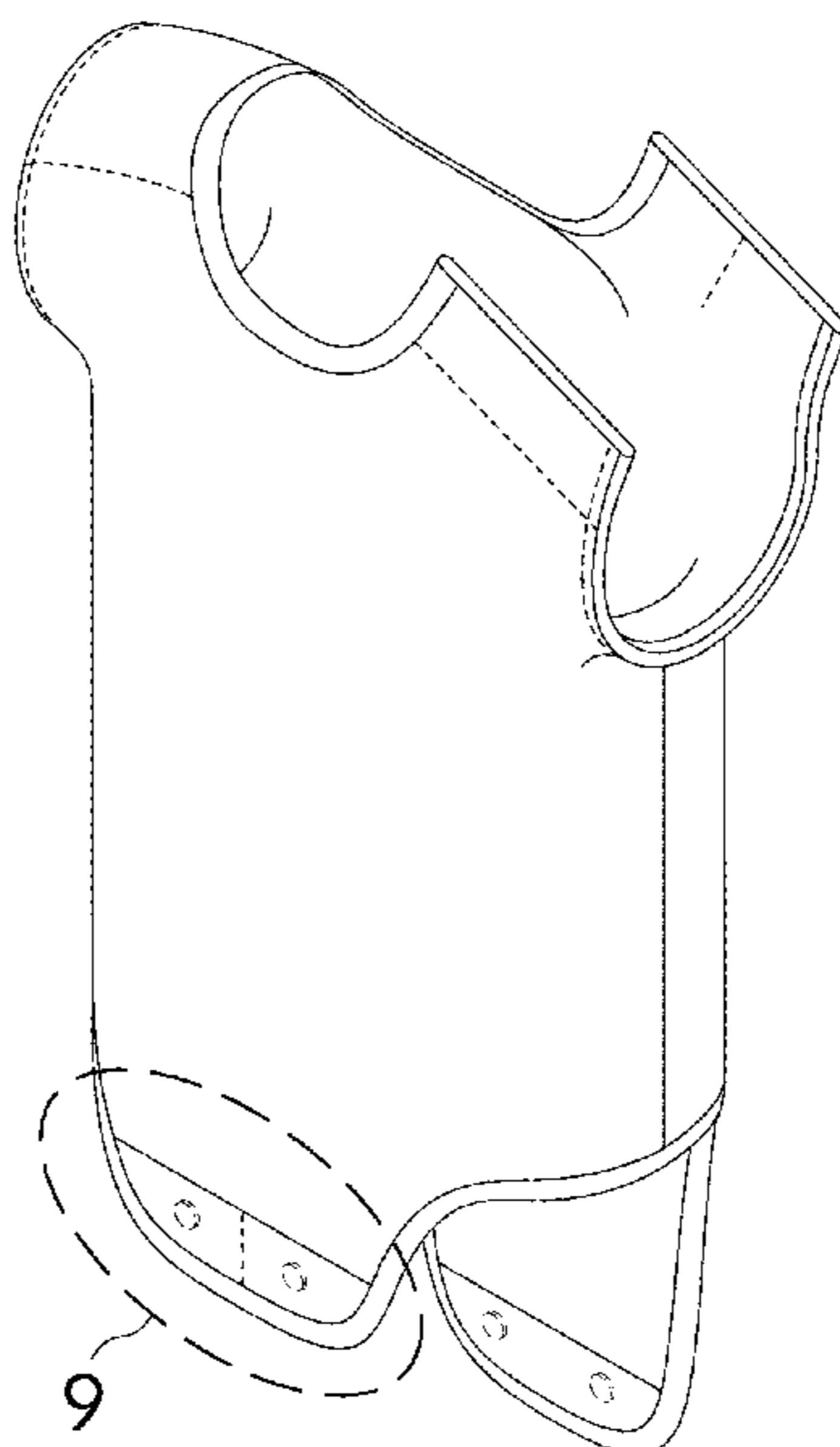
FIG. 12 is an environmental view of the onesie of FIG. 1

being worn and partially opened.

The broken lines in the drawings showing the onesie illustrate the portions of the onesie that form no part of the claimed design.

The partial human figure shown in broken lines is environmental subject matter included to illustrate how the design may appear when worn and forms no part of the claimed design.

1 Claim, 9 Drawing Sheets



(56)

References Cited

U.S. PATENT DOCUMENTS

4,726,076 A 2/1988 Douez
 4,969,215 A * 11/1990 Burkett A41D 13/1236
 2/114
 5,170,505 A 12/1992 Rohrer
 5,226,193 A 7/1993 Chen
 D341,244 S 11/1993 Perkins
 5,367,709 A 11/1994 Teasley
 5,533,209 A 7/1996 Davis
 5,621,917 A 4/1997 Howsden
 5,829,059 A 11/1998 Covington, Jr.
 5,924,133 A 7/1999 Zapiti
 6,216,271 B1 * 4/2001 Chen A41D 13/1245
 2/114
 6,223,352 B1 5/2001 Watlington
 6,243,871 B1 6/2001 Fidler
 6,675,389 B1 1/2004 Kublick
 6,694,521 B1 2/2004 Hopkins
 6,817,033 B2 11/2004 Bailey
 7,047,569 B1 5/2006 Mahon et al.
 D582,126 S 12/2008 Lesperance
 D598,176 S 8/2009 Tawil
 7,882,570 B2 2/2011 Krier
 7,908,671 B2 3/2011 Gaugler et al.
 D637,376 S 5/2011 Chapman
 7,954,187 B1 6/2011 Earnest
 D646,464 S 10/2011 Altreche
 D669,659 S 10/2012 Barski
 8,302,225 B1 11/2012 Earnest
 D692,209 S 10/2013 Dragu
 D696,486 S 12/2013 Barski
 D704,923 S 5/2014 Sullivan et al.
 D710,571 S 8/2014 James et al.
 D712,628 S 9/2014 Lefkowitz
 D716,526 S 11/2014 Harris
 D718,017 S 11/2014 Barski
 8,973,793 B2 3/2015 Aryan
 D731,754 S * 6/2015 Graham D2/745
 D737,024 S 8/2015 Couto et al.
 D742,097 S 11/2015 Dunn
 9,179,712 B2 11/2015 Jaggernaut
 D749,820 S 2/2016 Lombardo
 9,265,289 B1 2/2016 Green, Jr. et al.
 9,320,303 B2 4/2016 Howard et al.
 D760,998 S * 7/2016 Wilson D2/745
 D767,251 S * 9/2016 Couto D2/714
 D770,135 S 11/2016 Dunn
 D772,532 S 11/2016 Karp
 D798,542 S * 10/2017 Njibaloh D2/745
 D863,729 S * 10/2019 Wilson D2/745
 D871,721 S * 1/2020 Wood D2/745
 D878,008 S * 3/2020 Mosley D2/720
 D885,713 S * 6/2020 Stein D2/745

D888,371 S * 6/2020 Spark D2/745
 2002/0088046 A1 7/2002 Fidler
 2005/0223467 A1 10/2005 Cardarelli et al.
 2006/0026728 A1 2/2006 Shaw
 2007/0033700 A1 2/2007 Gonya
 2008/0319366 A1 12/2008 Kujawa et al.
 2009/0222968 A1 9/2009 Pisano-Ginter
 2010/0125930 A1 5/2010 Burrell
 2010/0229277 A1 9/2010 Lang
 2010/0299802 A1 12/2010 Bailey et al.
 2012/0102616 A1 5/2012 Ott et al.
 2012/0125347 A1 5/2012 Soileau
 2012/0174285 A1 7/2012 Williams et al.
 2012/0180188 A1 7/2012 Banica
 2012/0297518 A1 11/2012 Aiken et al.
 2013/0298304 A1 11/2013 Ott et al.
 2013/0298305 A1 * 11/2013 Lushaj A41D 11/00
 2/80
 2014/0082819 A1 3/2014 Dunn
 2014/0259274 A1 9/2014 Savage et al.
 2014/0317828 A1 10/2014 Holsinger
 2015/0059049 A1 * 3/2015 Jaggernaut A41B 13/08
 2/80
 2015/0272228 A1 10/2015 Penner et al.
 2016/0278442 A1 9/2016 Moran
 2020/0146363 A1 * 5/2020 Colombo A41B 13/08

OTHER PUBLICATIONS

<https://www.alibaba.com/showroom/velcro-baby-clothes.html>.
<http://www.motherscare.com/advice-buying-guides-and-services/buying-guides/clothing/baby-and-childrens-clothing/buyersguide-ms-clothing-sub1.html>.
http://www.amazon.in/FS-Mini-Klub-Baby-Rompers/dp/B01G258WYM/ref=sr_1_3?s=apparel&i=UTF8&qid=1486622642&sr=1-3&keywords=baby+rompers.
<http://www.firstcry.com/carters/carters-perfect-gentleman-bodysuit/1124182/product-detail>.
<http://www.bydeals.net/sg/deals/1126657/new-stock-singapore-seller-baby-velcro-swaddle.html>.
<https://www.aliexpress.com/item/Girls-and-boys-baby-down-jacket-down-jacket-down-Velcro-suits-down-baby-romper-suits/32754504688.html?spm=2114.40010308.4.1.BUPorG>.
<https://www.thesleepstore.com.au/content/faq/when-should-i-use-a-baby-swaddle.html>.
<http://practicalperfectbaby.com/stop-swaddling/>.
<https://mommyhood101.com/best-swaddlers-sleep-sacks>.
<http://babynurseryonline.com.au/wrap-me-up-swaddle-by-love-me-baby>.
<https://www.babylist.com/hello-baby/best-swaddles>.
<http://www.cafepress.com/+open-heart-surgery+baby-clothing>.

* cited by examiner

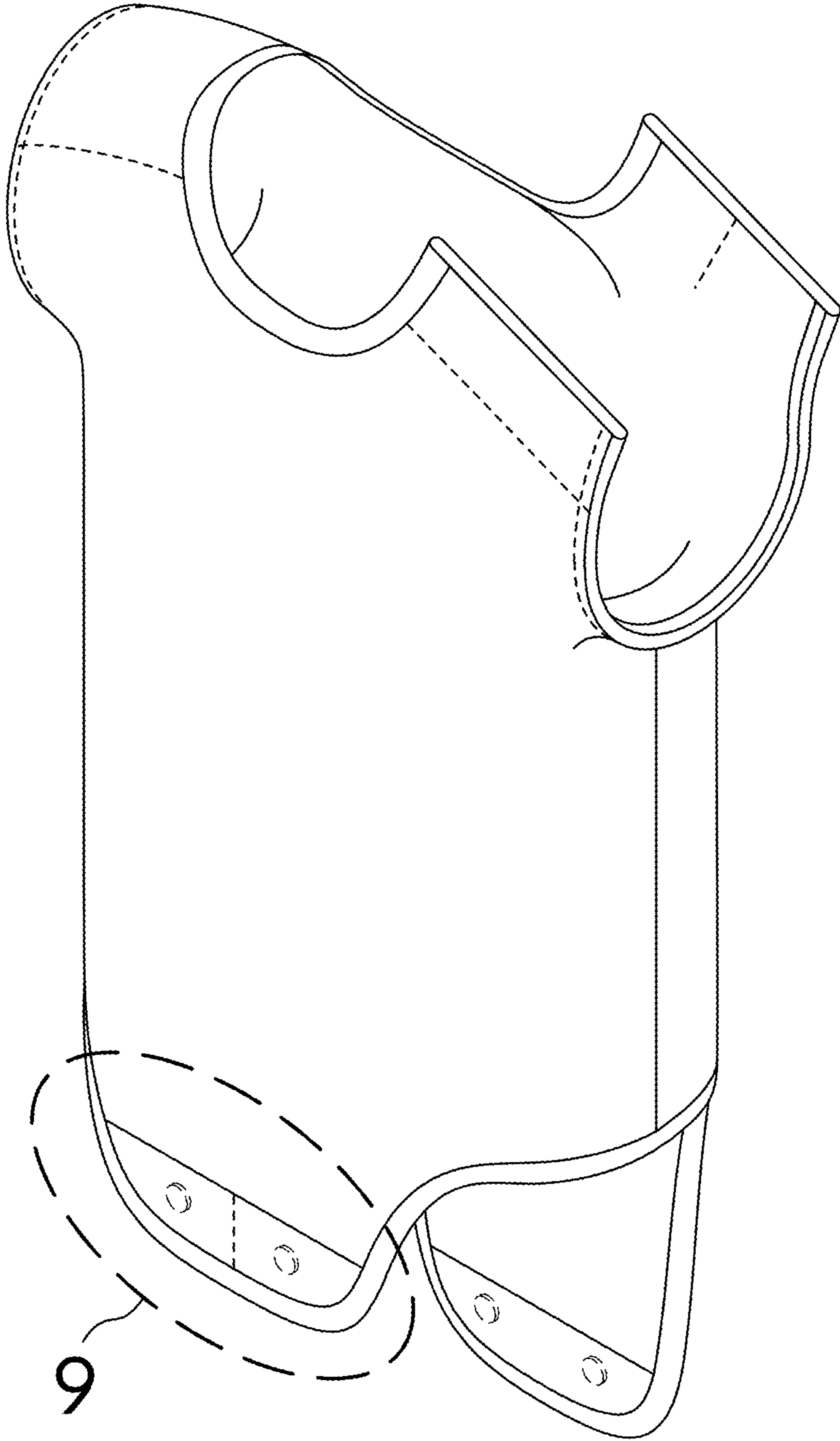


FIG. 1

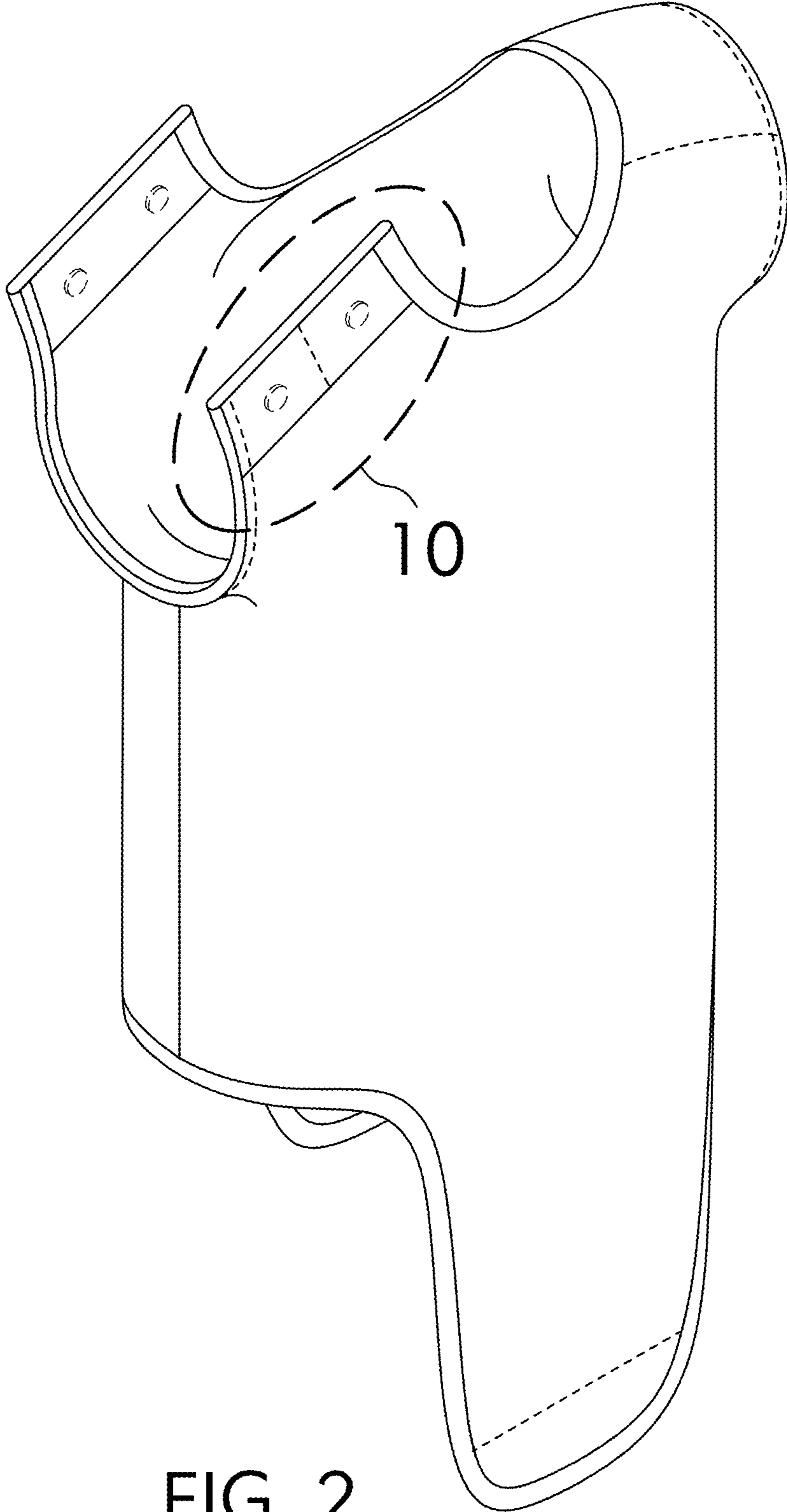


FIG. 2

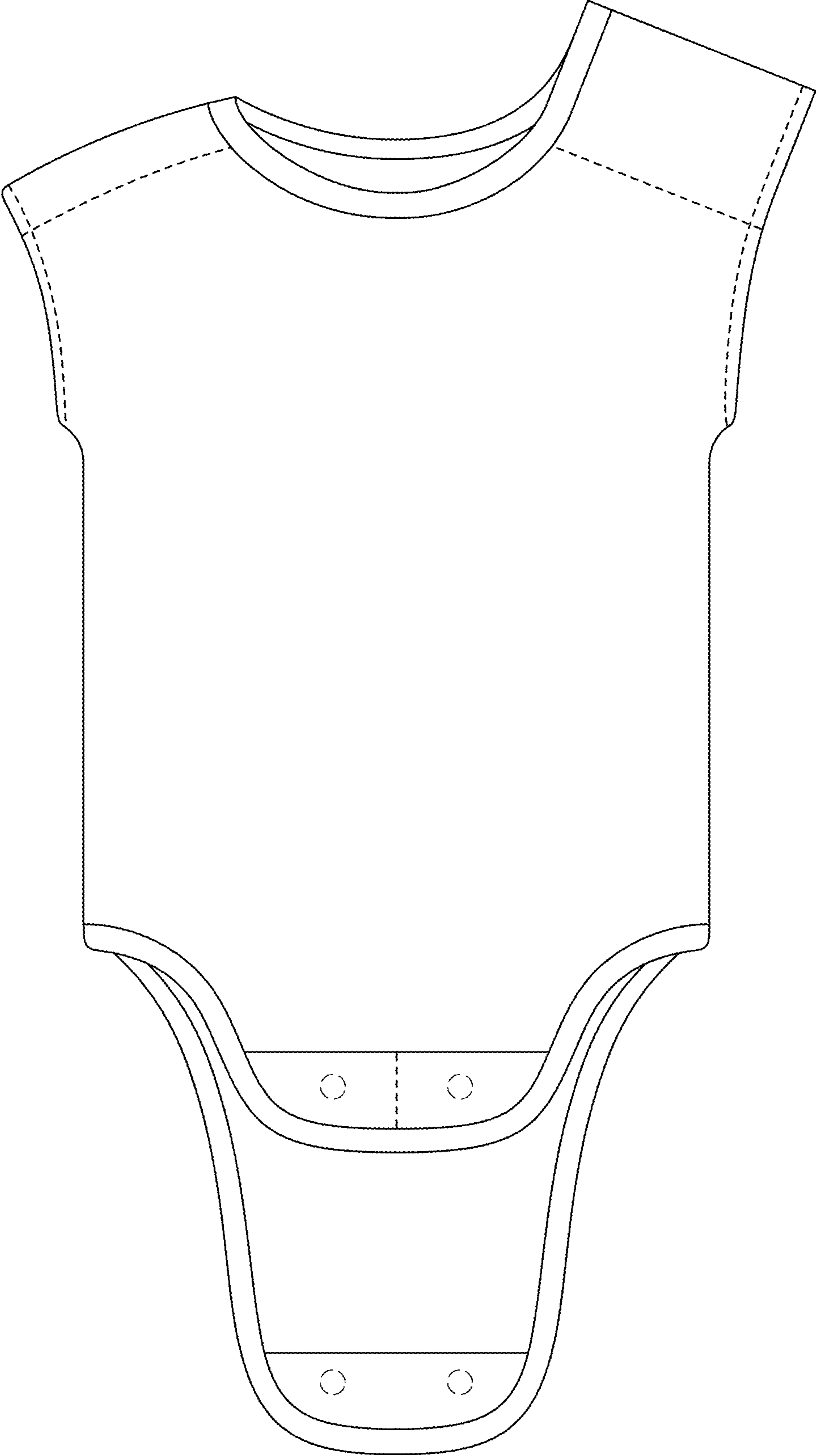


FIG. 3

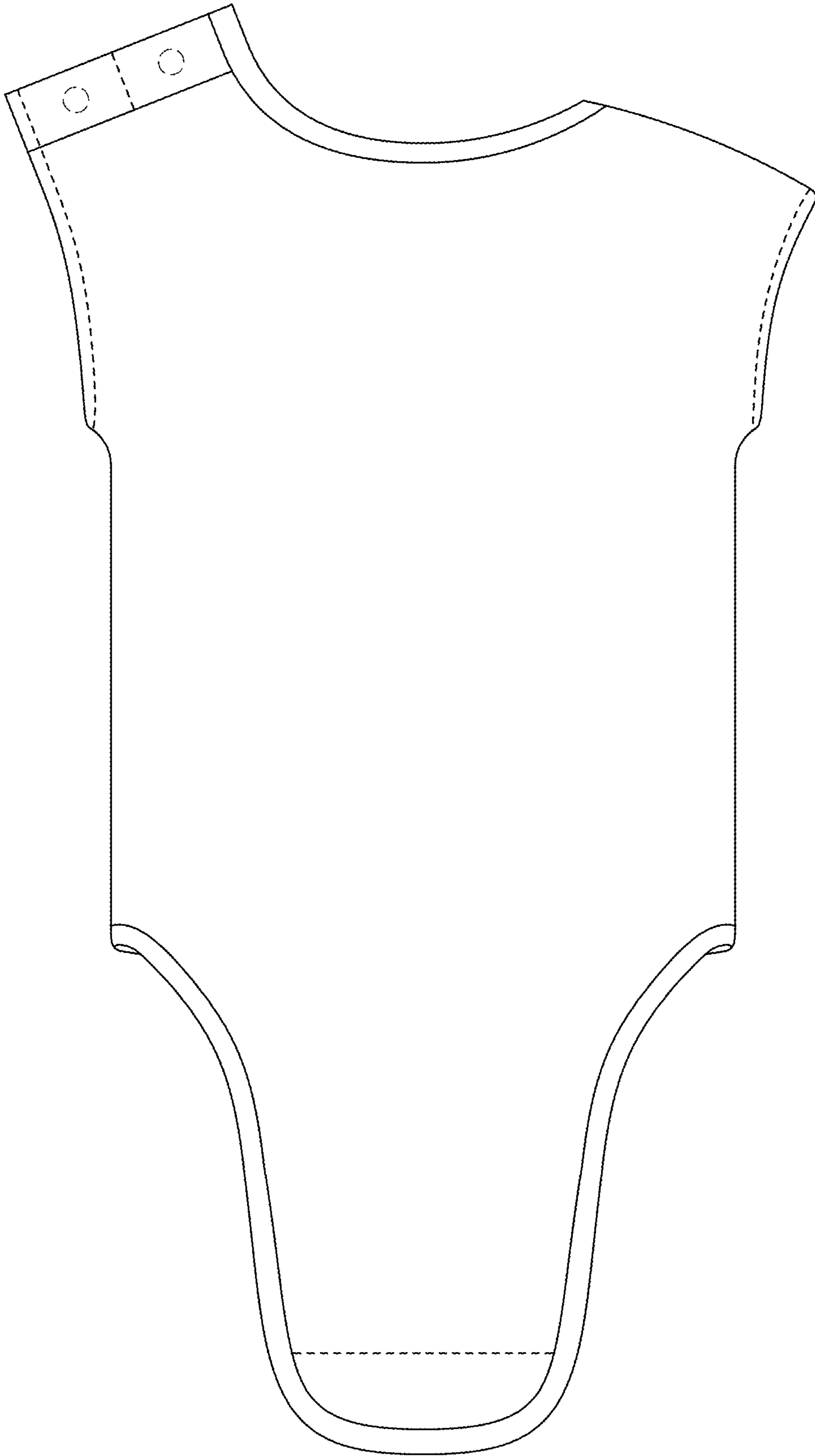
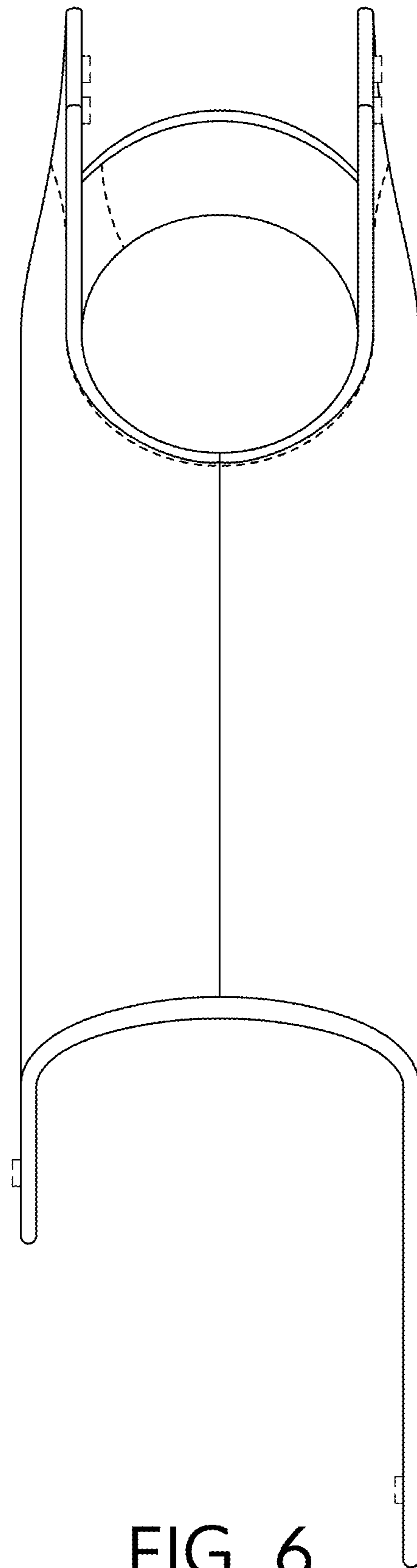
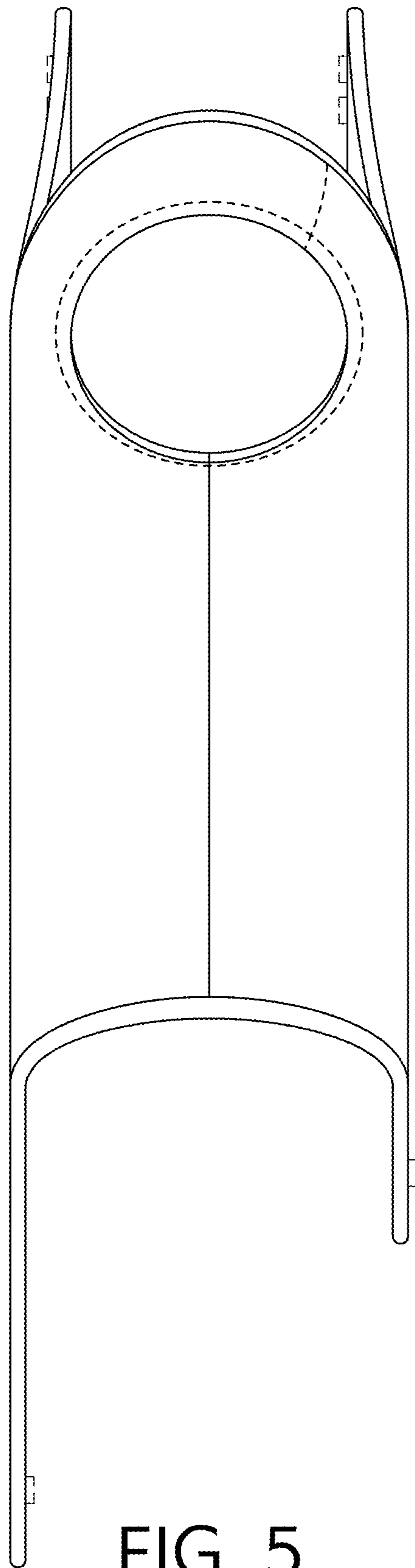


FIG. 4



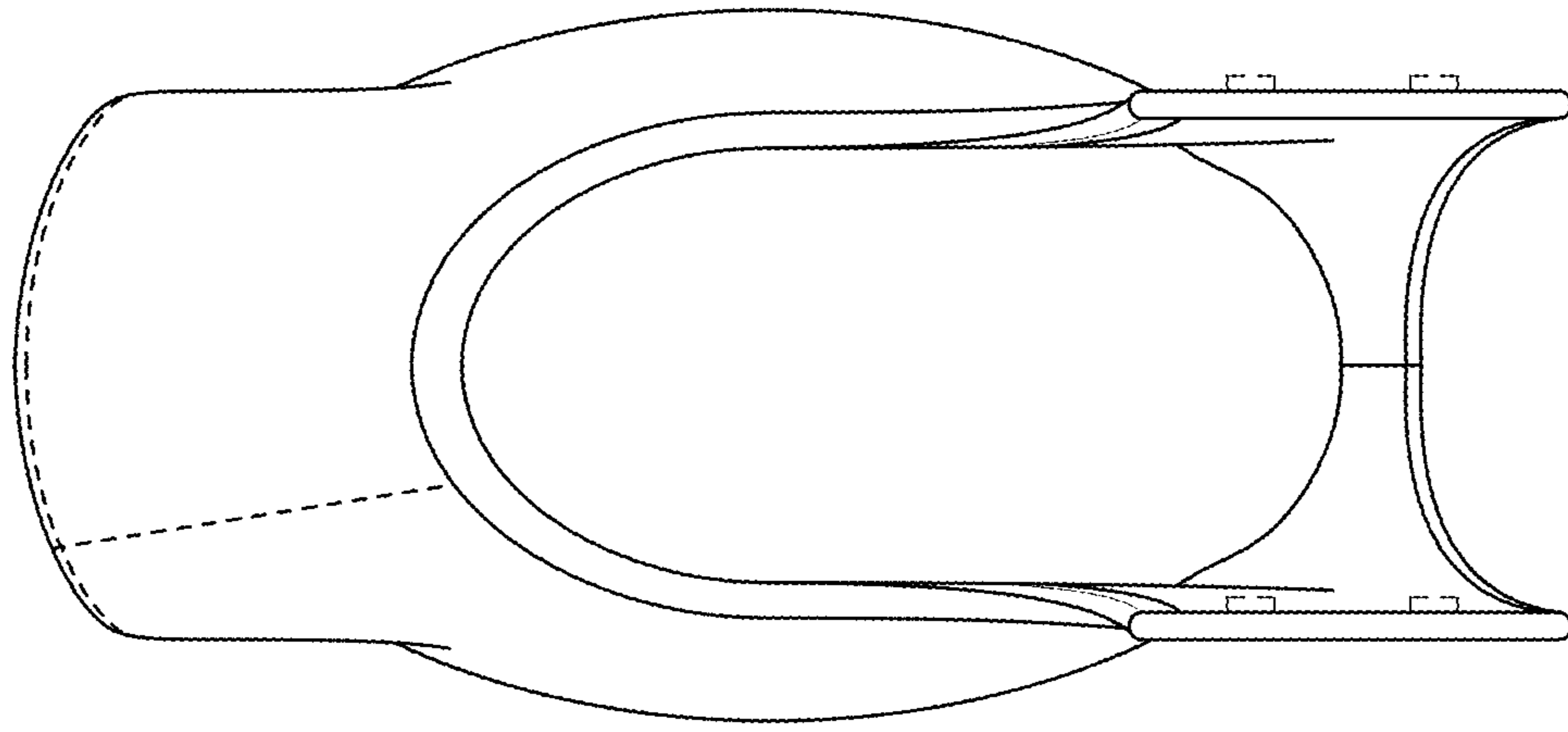


FIG. 7

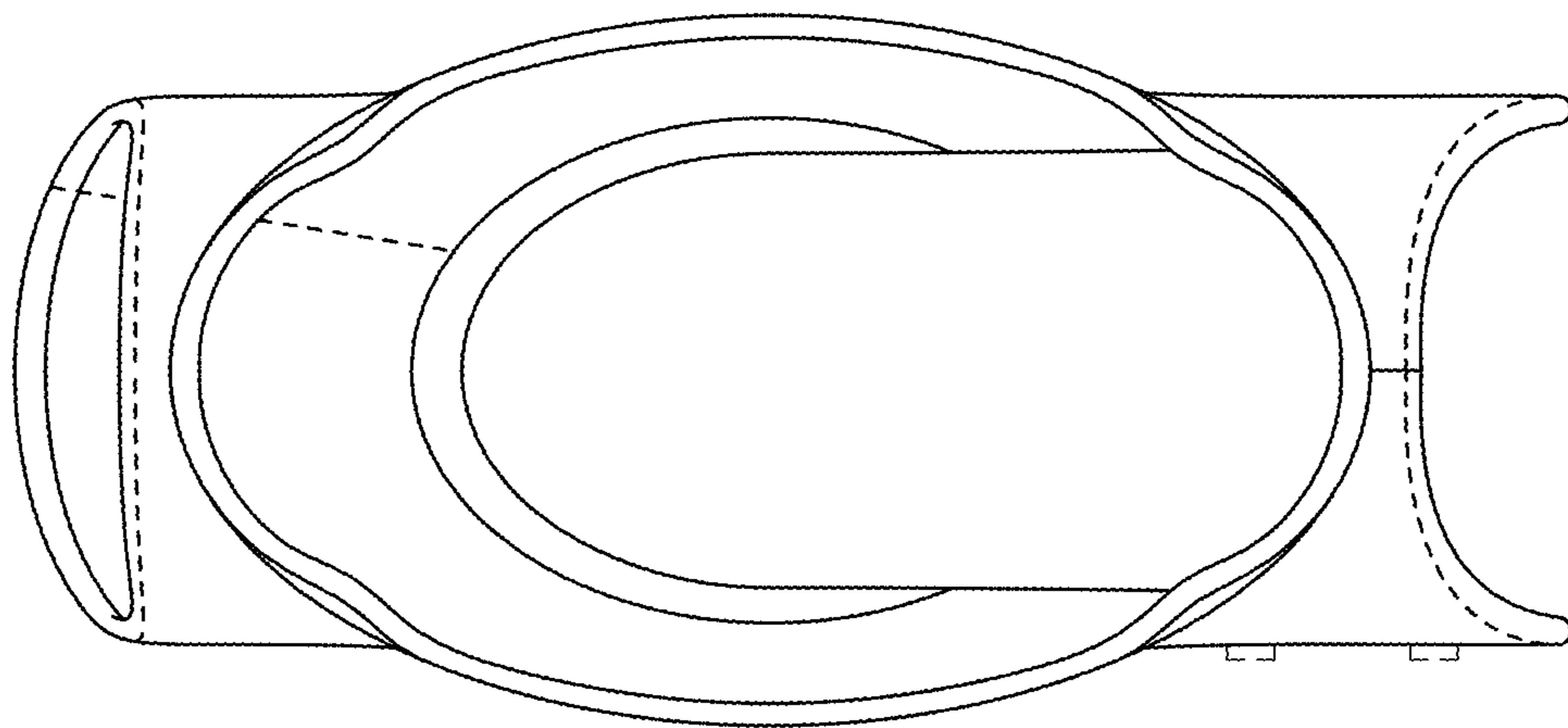


FIG. 8

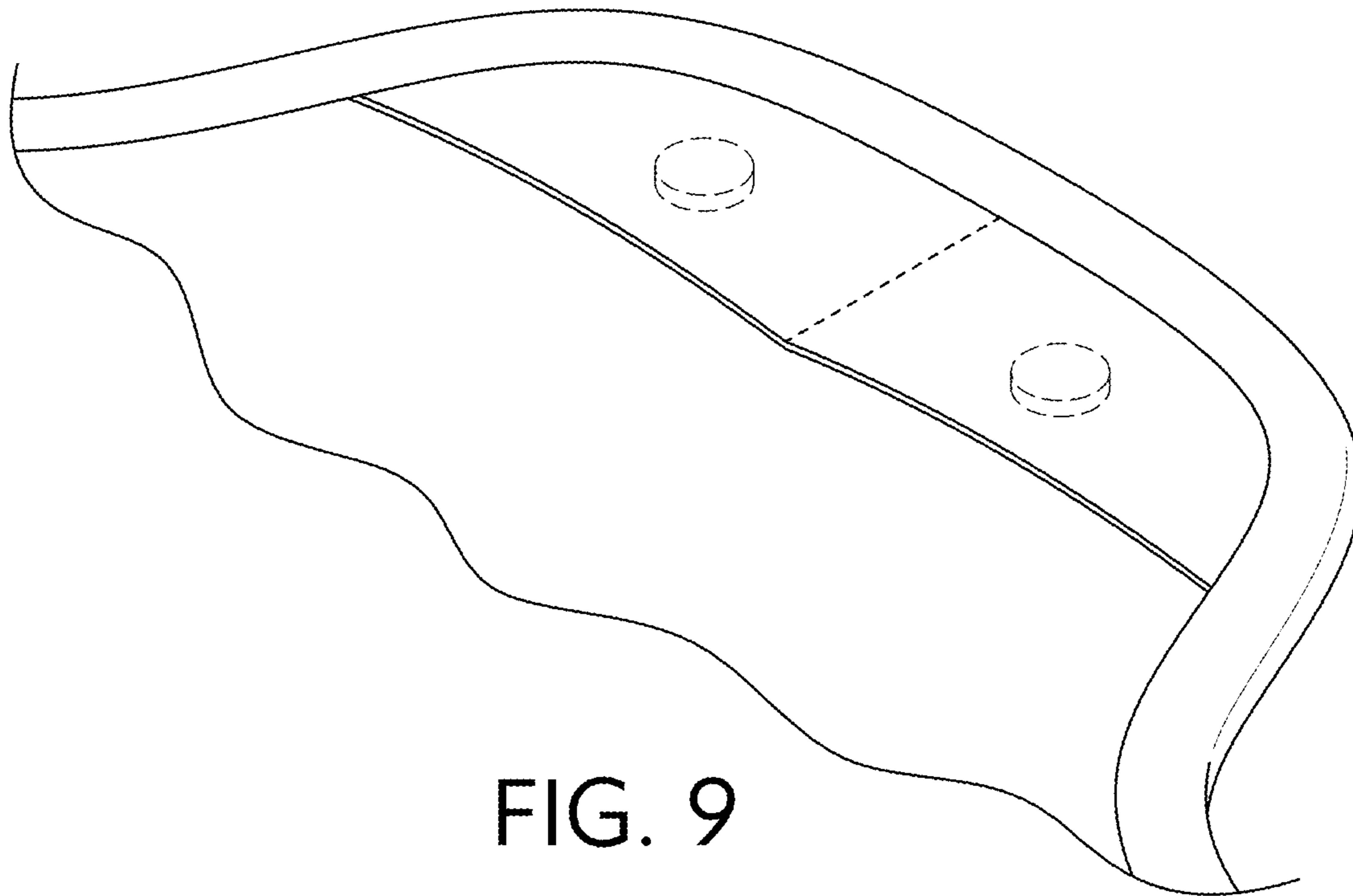


FIG. 9

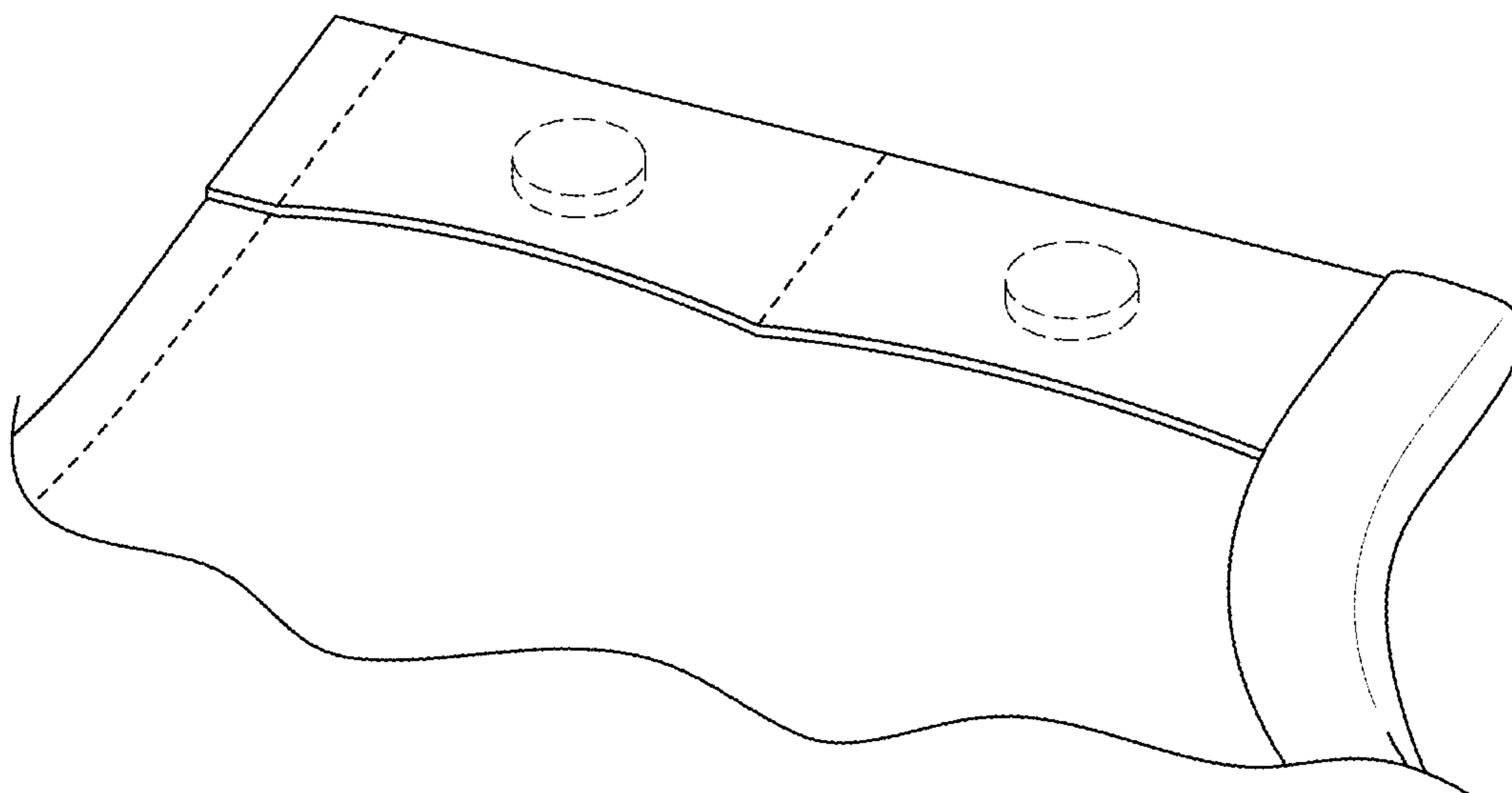


FIG. 10



FIG. 11



FIG. 12