



US00D905931S

(12) **United States Design Patent**
Picco

(10) **Patent No.:** **US D905,931 S**

(45) **Date of Patent:** **** Dec. 29, 2020**

- (54) **BRA**
- (71) Applicant: **LULULEMON ATHLETICA CANADA INC.**, Vancouver (CA)
- (72) Inventor: **Nicole Breanne Picco**, Vancouver (CA)
- (73) Assignee: **LULULEMON ATHLETICA CANADA INC.**, Vancouver (CA)
- (**) Term: **15 Years**
- (21) Appl. No.: **29/695,915**
- (22) Filed: **Jun. 24, 2019**
- (51) **LOC (12) Cl.** **02-01**
- (52) **U.S. Cl.**
USPC **D2/706; D2/731**
- (58) **Field of Classification Search**
USPC D24/706-708, 731
CPC A41C 3/00; A41C 3/0057
See application file for complete search history.

- D709,668 S 7/2014 Martz
- D747,843 S 1/2016 Gallo et al.
- D759,942 S 6/2016 Martz

(Continued)

OTHER PUBLICATIONS

Yvette Women High Impact Sports Bras Criss Cross Back Sexy Running Bra, posted 2018 [online], (retrieved Jul. 24, 2020), Retrieved from the internet, https://www.amazon.com/dp/B07YG1X827/ref=sspa_dk_detail_1_psc=1&pd_rd_i=B07YG1X827&pd_rd_w=XbsfH&pf_rd_p=48d372c1-f7e1-4b8b-9d0%E2%80%A6 (Year: 2018).*

Primary Examiner — Kevin K Rudzinski

Assistant Examiner — J. Thorn, Sr.

(74) *Attorney, Agent, or Firm* — Conneely PC; Joseph Conneely

(57) **CLAIM**

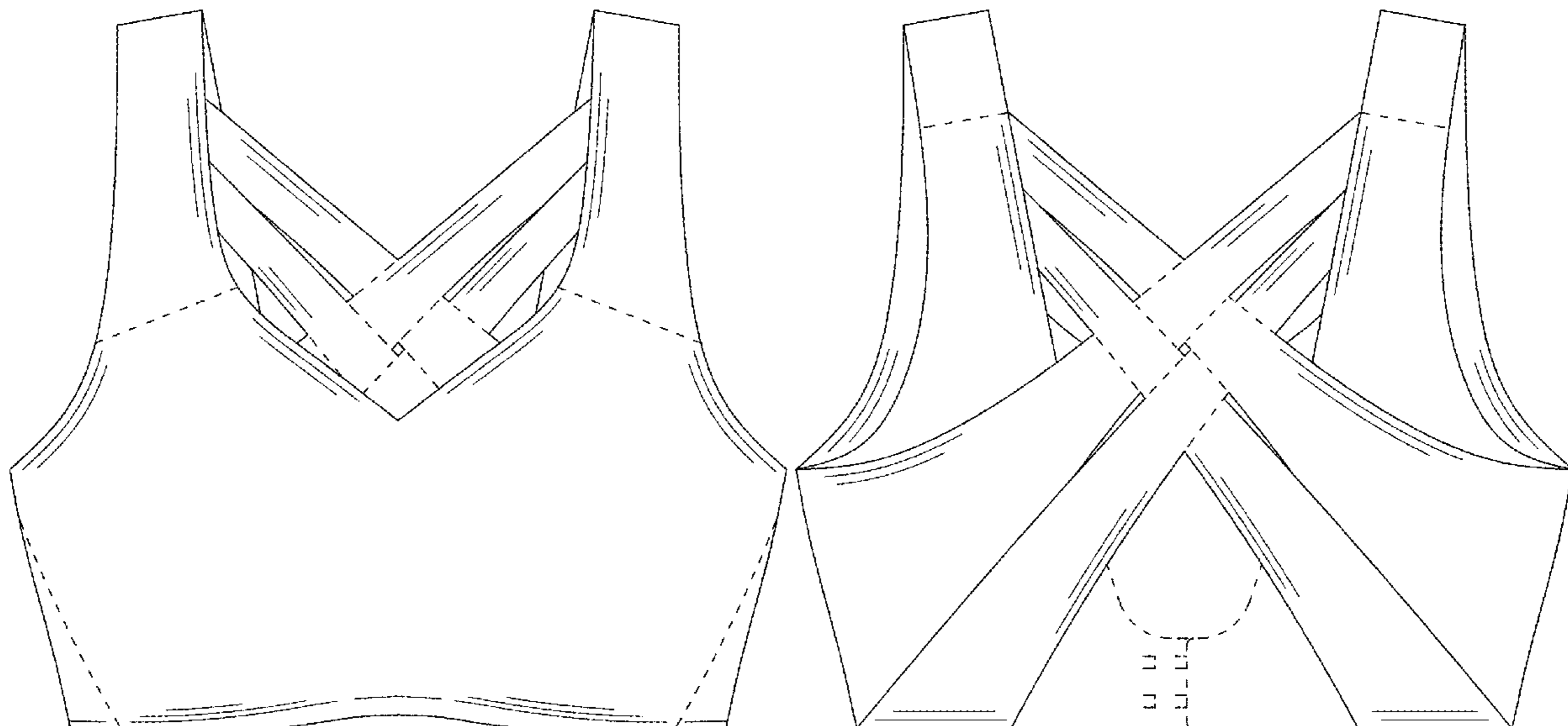
The ornamental design for a bra, as shown and described.

DESCRIPTION

FIG. 1 is a front view of a bra according to the design;
 FIG. 2 is a rear view thereof;
 FIG. 3 is a left side view thereof;
 FIG. 4 is a right side view thereof;
 FIG. 5 is a front perspective view thereof;
 FIG. 6 is a rear perspective view thereof;
 FIG. 7 is a rear view thereof shown in an environment of use;
 FIG. 8 is a rear view thereof with back straps thereof shown in a partially opened position; and,
 FIG. 9 is a rear view thereof with the back straps thereof shown in a fully opened position.
 The portions of the bra shown in broken lines in FIGS. 1-9 do not form part of the claimed design. The broken line showing of the arms, torso, neck, and head in FIG. 7 is for the purpose of illustrating portions of the environmental structure and forms no part of the claimed design.

1 Claim, 9 Drawing Sheets

- (56) **References Cited**
- U.S. PATENT DOCUMENTS**
- 3,071,140 A 1/1963 Adler
- 4,174,717 A 11/1979 Schreiber et al.
- D259,370 S 6/1981 Schreiber et al.
- D351,711 S 10/1994 Mattson
- D388,587 S 1/1998 Magidson et al.
- 5,823,851 A 10/1998 Dicker
- 6,247,996 B1 6/2001 Fields
- D475,835 S 6/2003 Hoffman et al.
- D562,529 S 2/2008 Tonsor
- D575,026 S 8/2008 Tonsor
- D635,329 S 4/2011 Wahl et al.
- 8,047,893 B2 11/2011 Fenske
- D671,297 S 11/2012 Iamartino
- D678,659 S 3/2013 Lopez et al.
- D683,525 S 6/2013 Iamartino
- D708,821 S 7/2014 Iamartino



(56)

References Cited

U.S. PATENT DOCUMENTS

D764,746	S	8/2016	Randall	
D765,947	S	9/2016	McManus	
D765,948	S	9/2016	McManus	
D773,149	S	12/2016	Kercher, III	
D783,930	S	4/2017	Rothert	
D785,903	S	5/2017	Chaleangsak	
D791,438	S	7/2017	Holmes	
D798,535	S	10/2017	McManus	
D805,730	S	12/2017	Lorett	
D817,595	S	5/2018	Dixon et al.	
D821,702	S	7/2018	Krasner et al.	
D831,303	S	10/2018	Rendone	
D834,282	S	11/2018	Flower	
D835,884	S	12/2018	Alligood	
D841,936	S	3/2019	Flower	
D843,081	S	3/2019	Rendone	
D855,285	S	8/2019	Dixon et al.	
D857,335	S *	8/2019	Holmes	D2/708
D862,033	S *	10/2019	Nordhoff	D2/706
D869,820	S *	12/2019	Robertson	D2/706
D889,072	S *	7/2020	Biscuiti	D2/706
2005/0255789	A1	11/2005	Gaudet et al.	
2006/0089083	A1	4/2006	Tonsor	
2009/0233522	A1	9/2009	Schlatmann	
2013/0203319	A1	8/2013	Torres et al.	
2015/0223525	A1	8/2015	Miller et al.	
2016/0338419	A1	11/2016	Fayad	
2017/0055614	A1	3/2017	Castaneda Smids	
2018/0132541	A1	5/2018	Wittstadt et al.	
2019/0082749	A1 *	3/2019	Ward	A41C 3/12
2019/0098940	A1 *	4/2019	Huffa	A41C 3/126

* cited by examiner

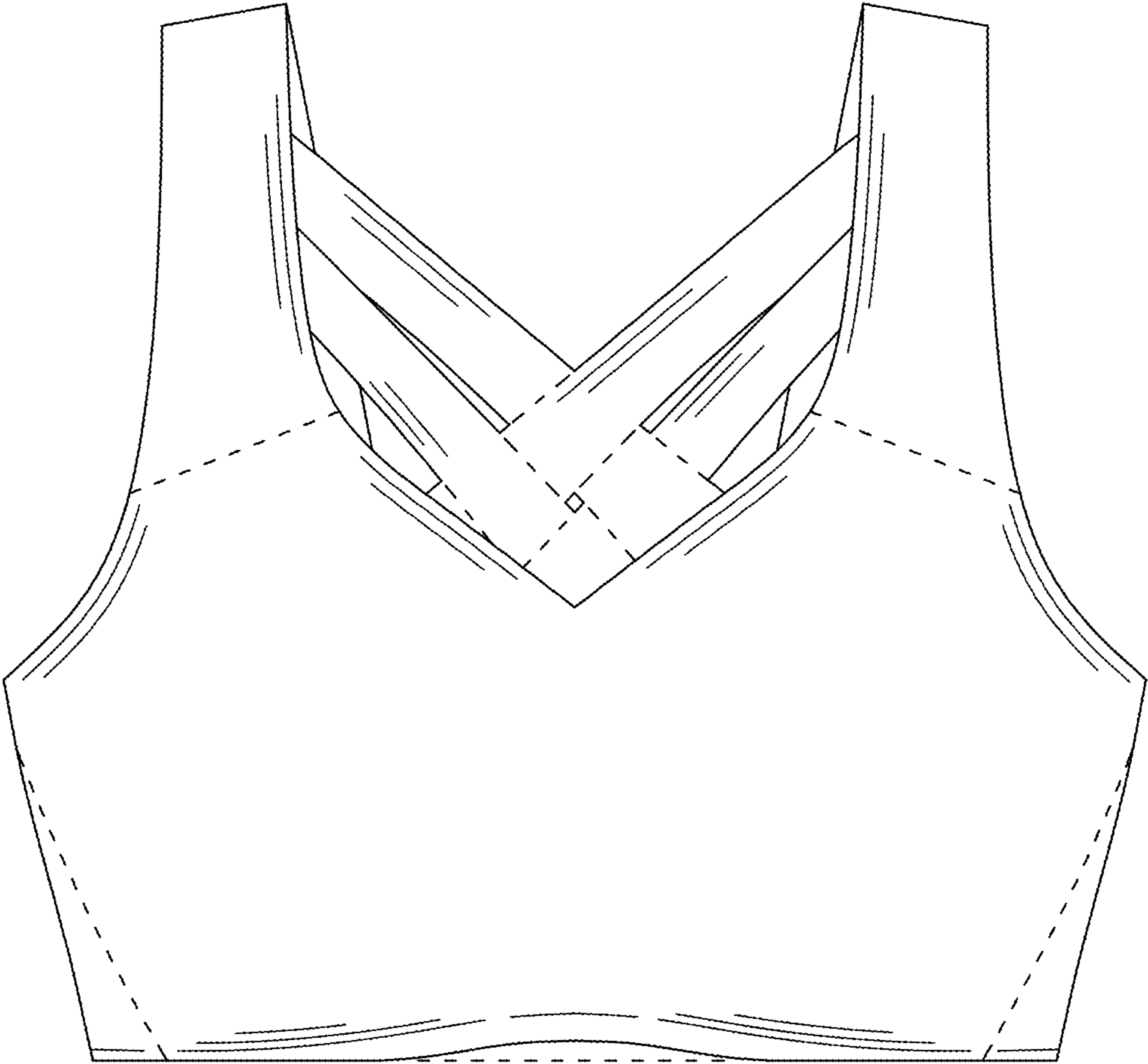


FIG. 1

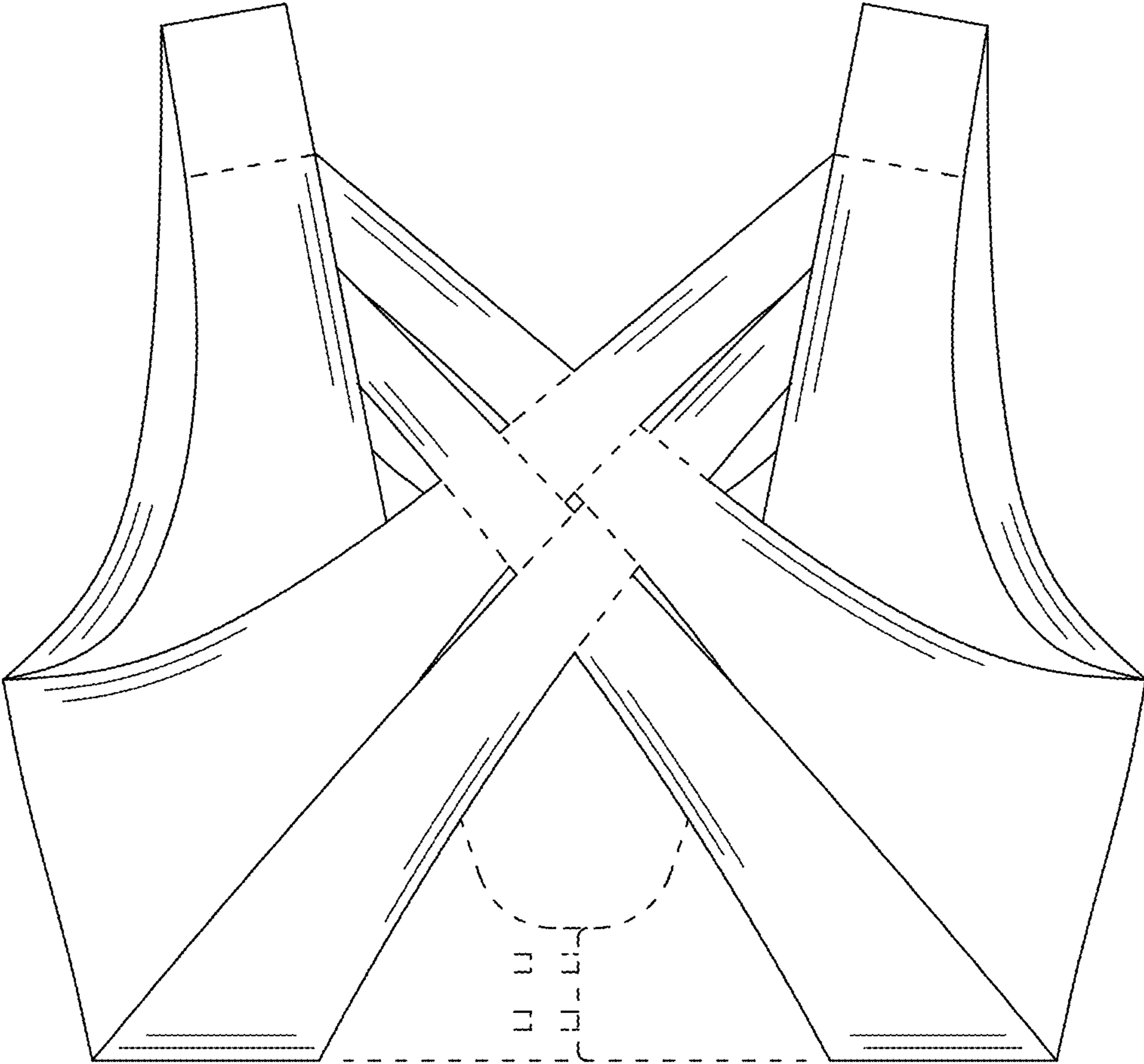


FIG. 2

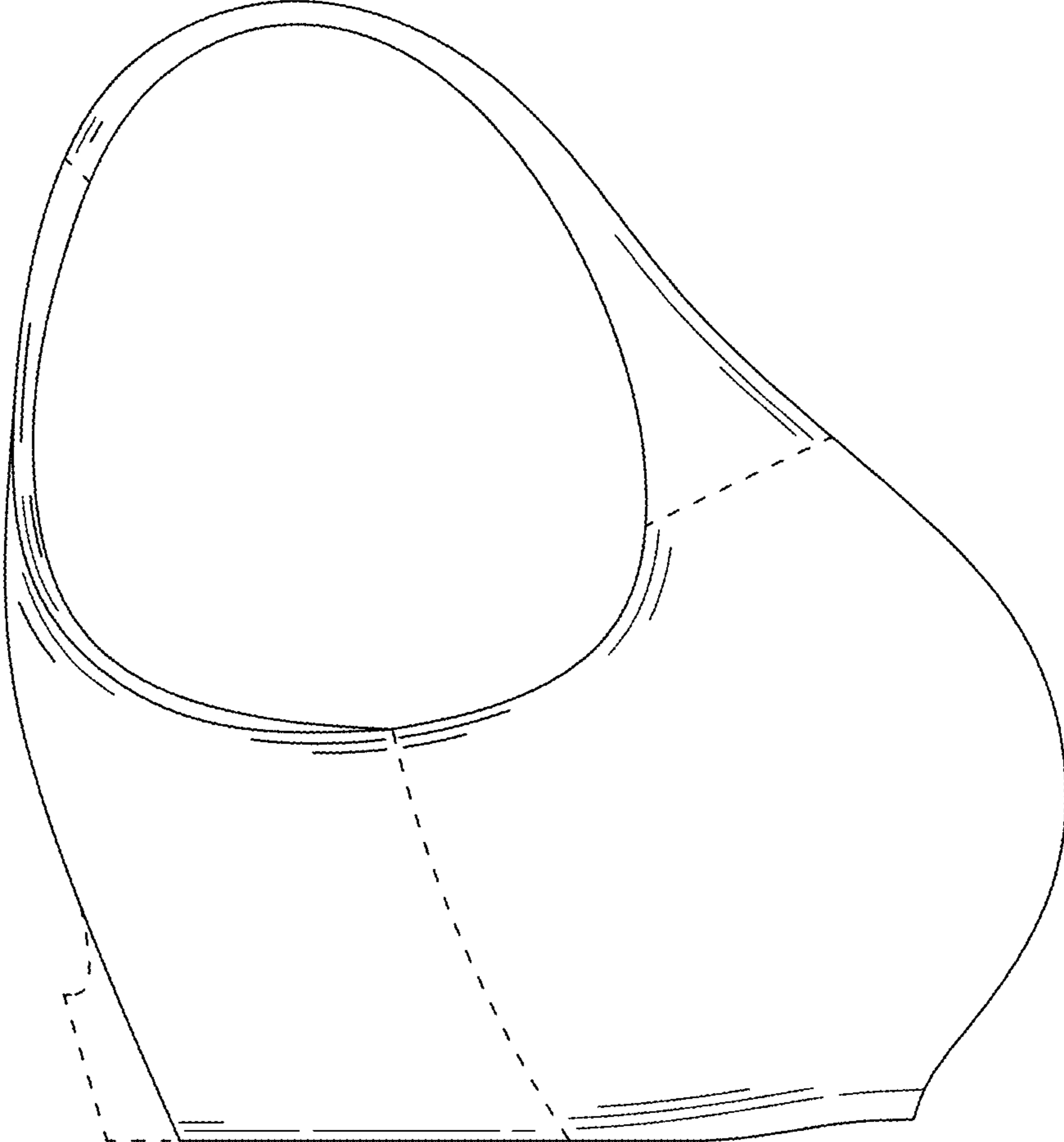


FIG. 3

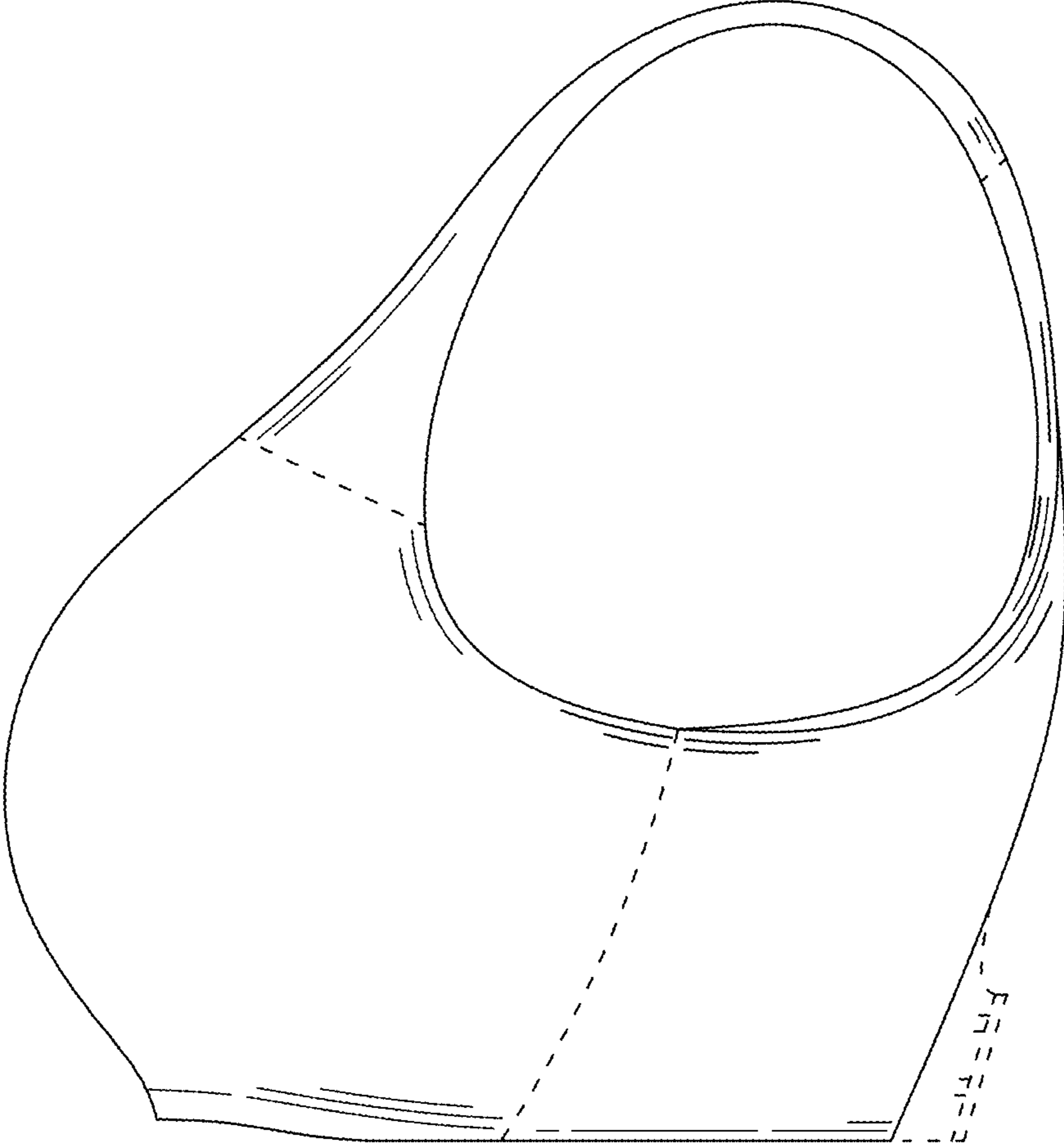


FIG. 4

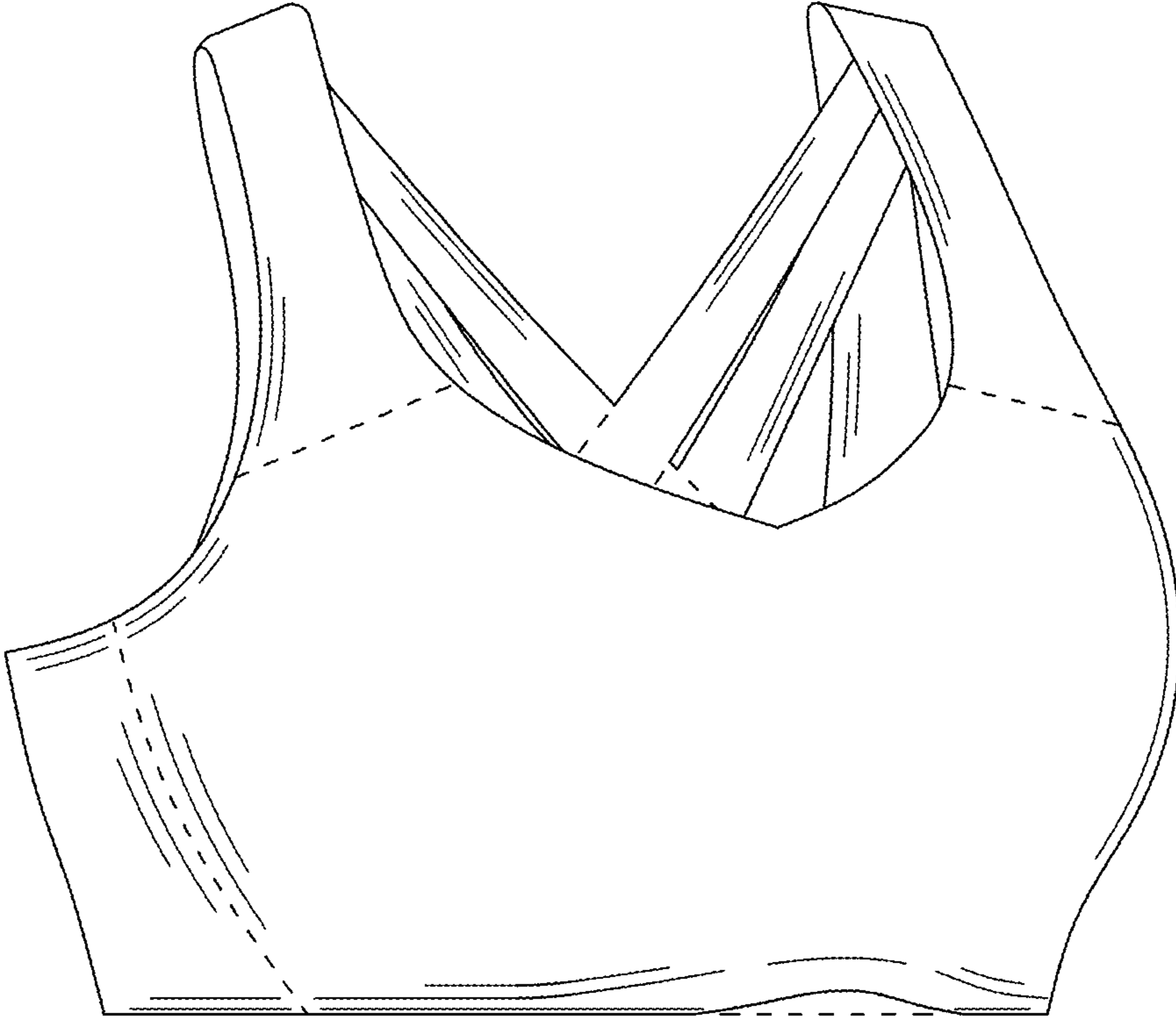


FIG. 5

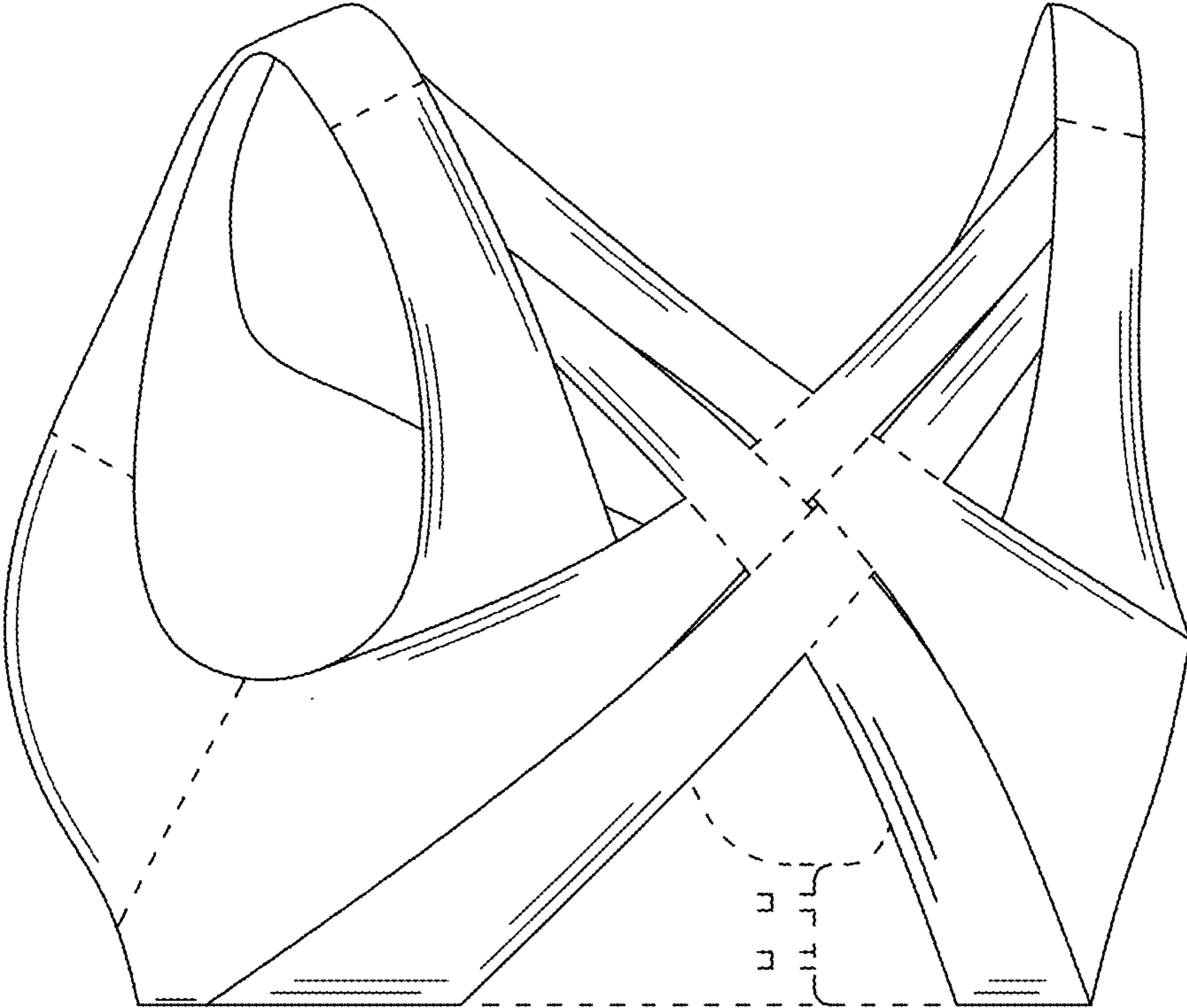


FIG. 6

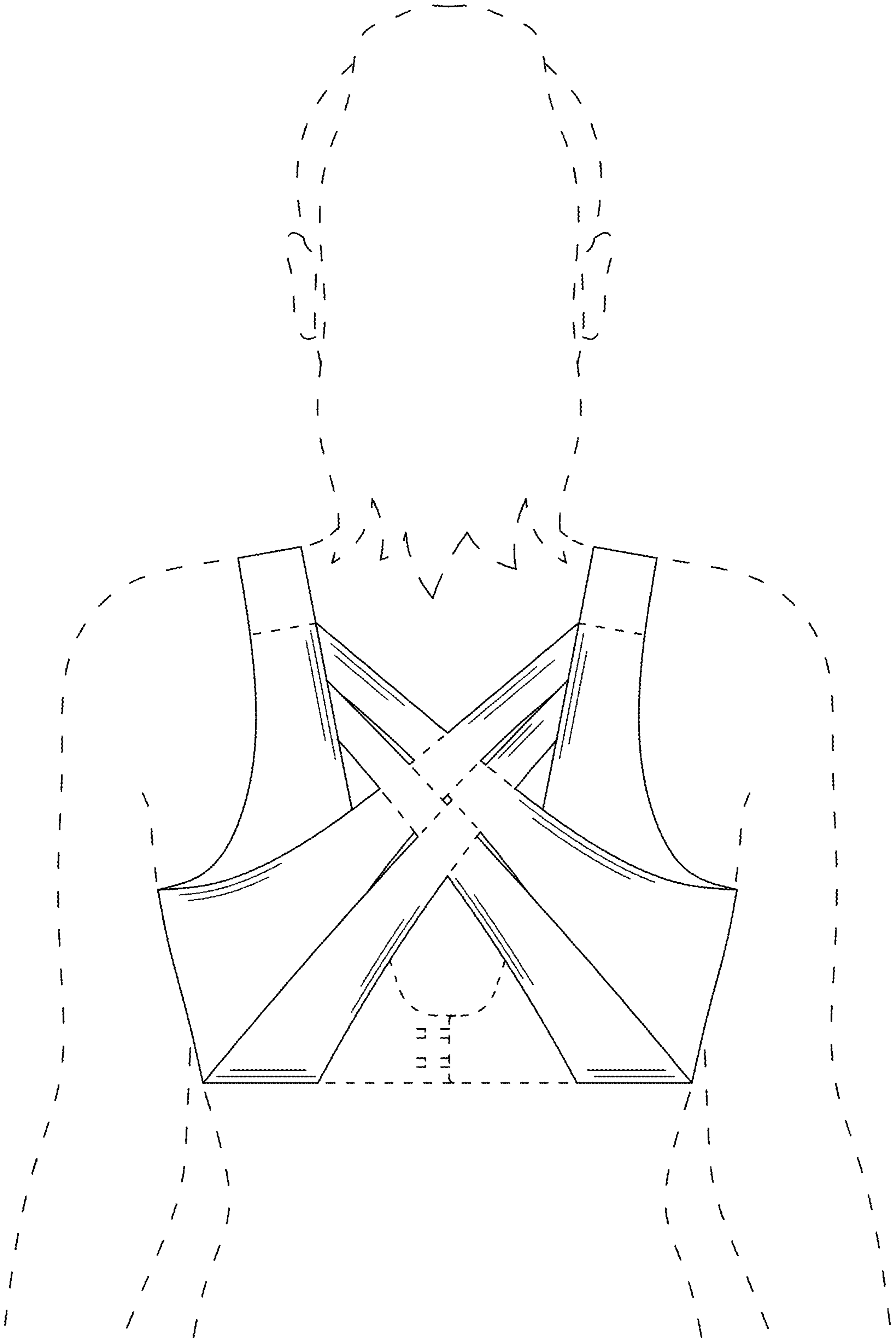


FIG. 7

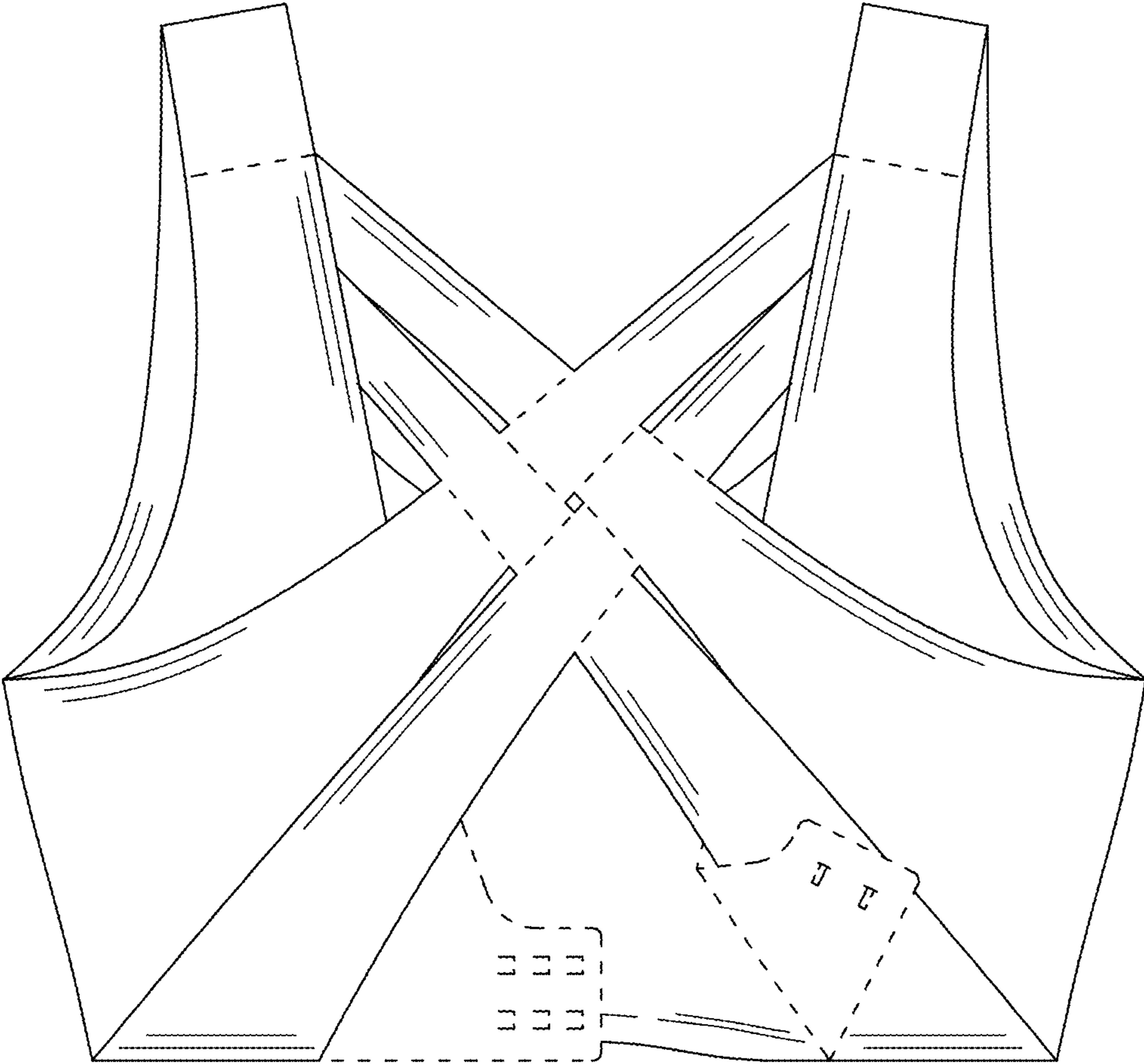


FIG. 8

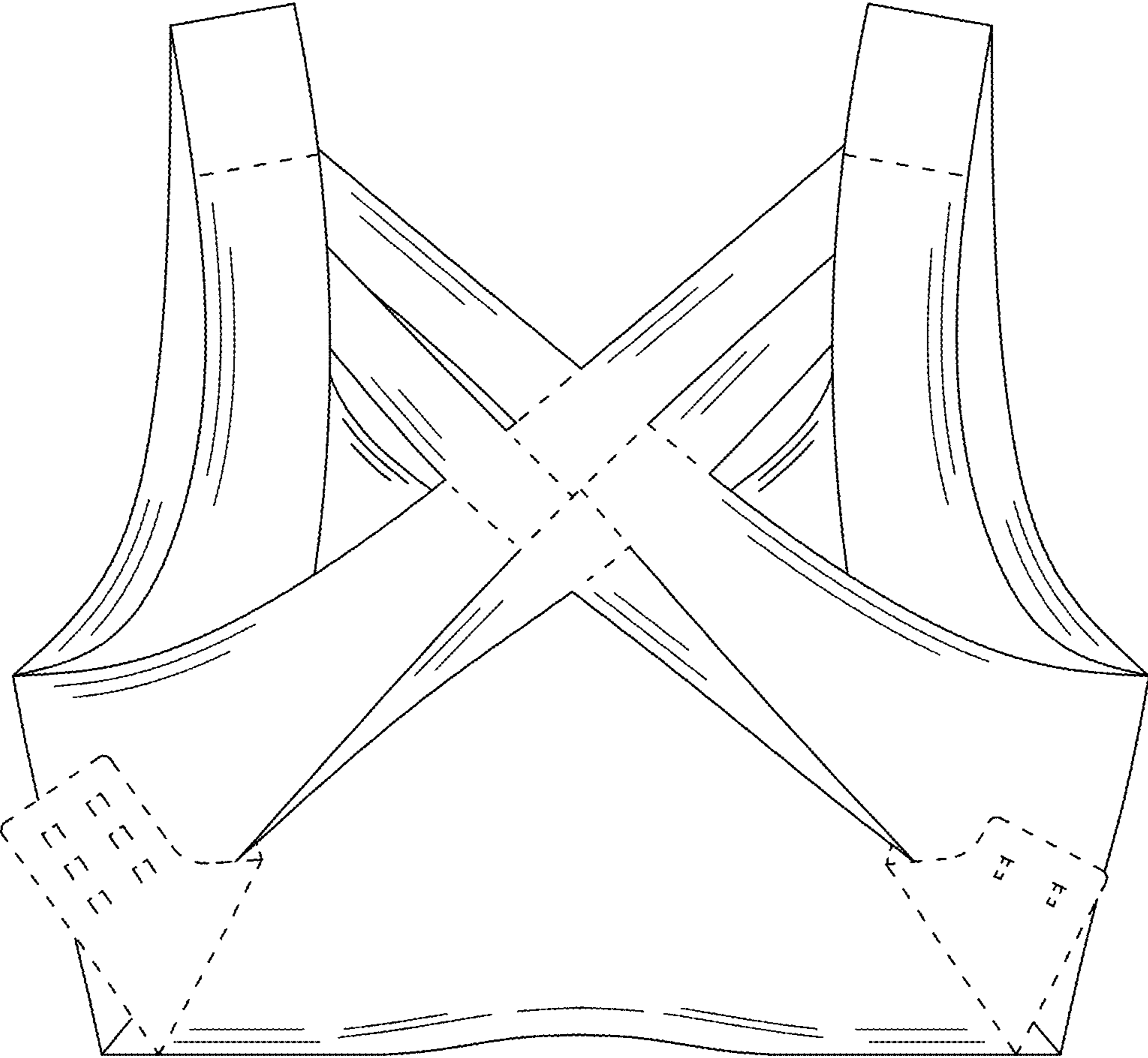


FIG. 9