



US00D905924S

(12) **United States Design Patent**
Fujio et al.

(10) **Patent No.:** **US D905,924 S**

(45) **Date of Patent:** **** Dec. 22, 2020**

- (54) **TRAY FOR CONVEYOR**
- (71) Applicant: **Daifuku Co., Ltd.**, Osaka (JP)
- (72) Inventors: **Yoshihiko Fujio**, Shiga (JP); **Takuya Isomura**, Shiga (JP)
- (73) Assignee: **Daifuku Co., Ltd.**
- (**) Term: **15 Years**
- (21) Appl. No.: **29/667,768**
- (22) Filed: **Oct. 24, 2018**
- (30) **Foreign Application Priority Data**
Apr. 27, 2018 (JP) 2018-009499
- (51) **LOC (12) Cl.** **12-05**
- (52) **U.S. Cl.**
USPC **D34/29**
- (58) **Field of Classification Search**
USPC D34/29, 35; D7/550.1; D15/147, 199
CPC B65G 54/02; B65G 2201/01; B65G 2201/06; B65G 15/60; B65G 20/00; B65G 43/08; B65G 35/00; B65G 35/04; B65G 35/06; B65B 4/305; B25J 5/007; B25J 5/1694; B65H 5/06; B65D 1/34; B65D 25/03
See application file for complete search history.

- D558,452 S * 1/2008 Richter B65G 49/08 D3/304
 - D572,875 S * 7/2008 Ito B65D 25/30 D34/29
 - D580,123 S * 11/2008 Ito D34/29
 - 8,006,843 B1 * 8/2011 McFarland B65D 25/30 206/511
 - D751,291 S * 3/2016 MacNeil B65G 47/962 D3/304
 - 9,315,279 B2 * 4/2016 Delaney B64F 1/368
 - D755,464 S 5/2016 Fujio et al.
 - D777,397 S * 1/2017 Gediehn B65G 21/22 D34/29
 - D798,022 S * 9/2017 Hofmann D34/29
 - D873,173 S * 1/2020 Brucker D12/1
- (Continued)

Primary Examiner — Cynthia Ramirez
(74) *Attorney, Agent, or Firm* — St. Onge Steward Johnston & Reens LLC

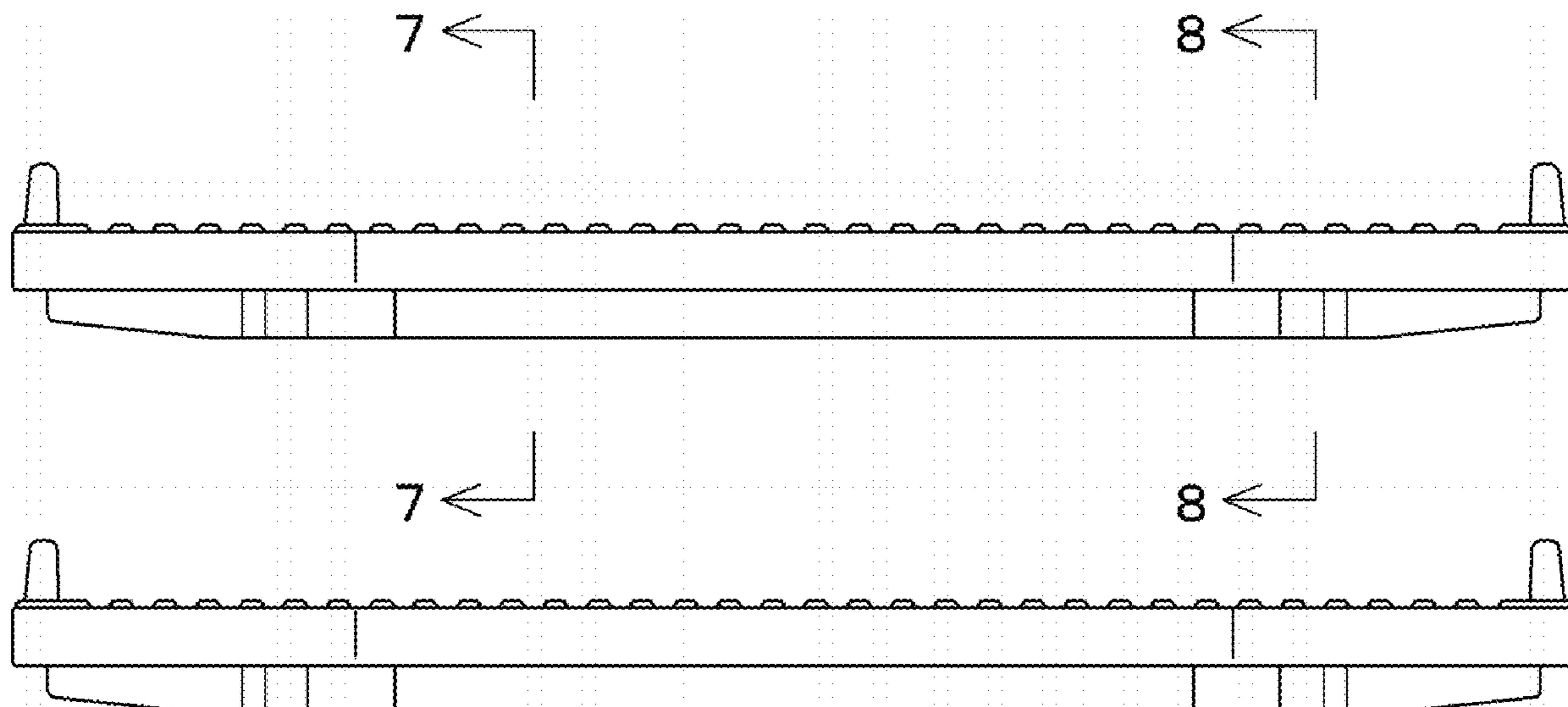
(57) **CLAIM**

The ornamental design for a tray for conveyor, as shown and described.

DESCRIPTION

FIG. 1 is a front elevation view of a tray for conveyor in accordance with the new design;
 FIG. 2 is a rear elevation view of a tray for conveyor in accordance with the new design;
 FIG. 3 is a top plan view of a tray for conveyor in accordance with the new design;
 FIG. 4 is a bottom view of a tray for conveyor in accordance with the new design;
 FIG. 5 is a right side elevation view of a tray for conveyor in accordance with the new design;
 FIG. 6 is a left side elevation view of a tray for conveyor in accordance with the new design;
 FIG. 7 is a sectional view taken along line 7-7 of FIG. 1;
 FIG. 8 is a sectional view taken along line 8-8 of FIG. 1; and,
 FIG. 9 is a sectional view taken along line 9-9 of FIG. 5.

1 Claim, 9 Drawing Sheets



(56)

References Cited

U.S. PATENT DOCUMENTS

D890,828 S * 7/2020 Pajevic D15/199
2012/0301229 A1* 11/2012 Yorio B65G 49/08
406/88
2016/0046453 A1* 2/2016 Fujio B65G 21/22
198/469.1
2016/0264283 A1* 9/2016 Fujio B65D 1/34

* cited by examiner

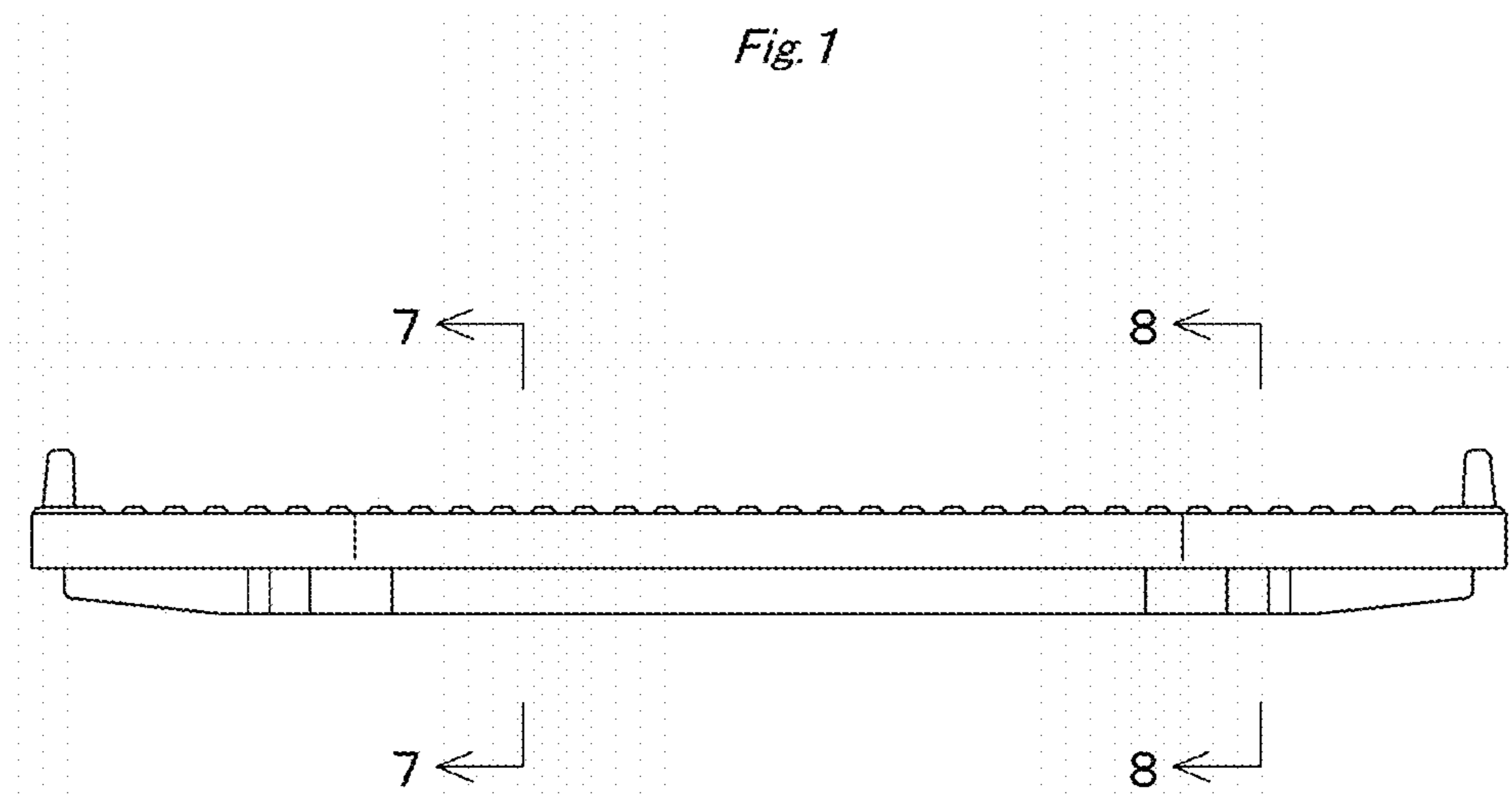


Fig. 2

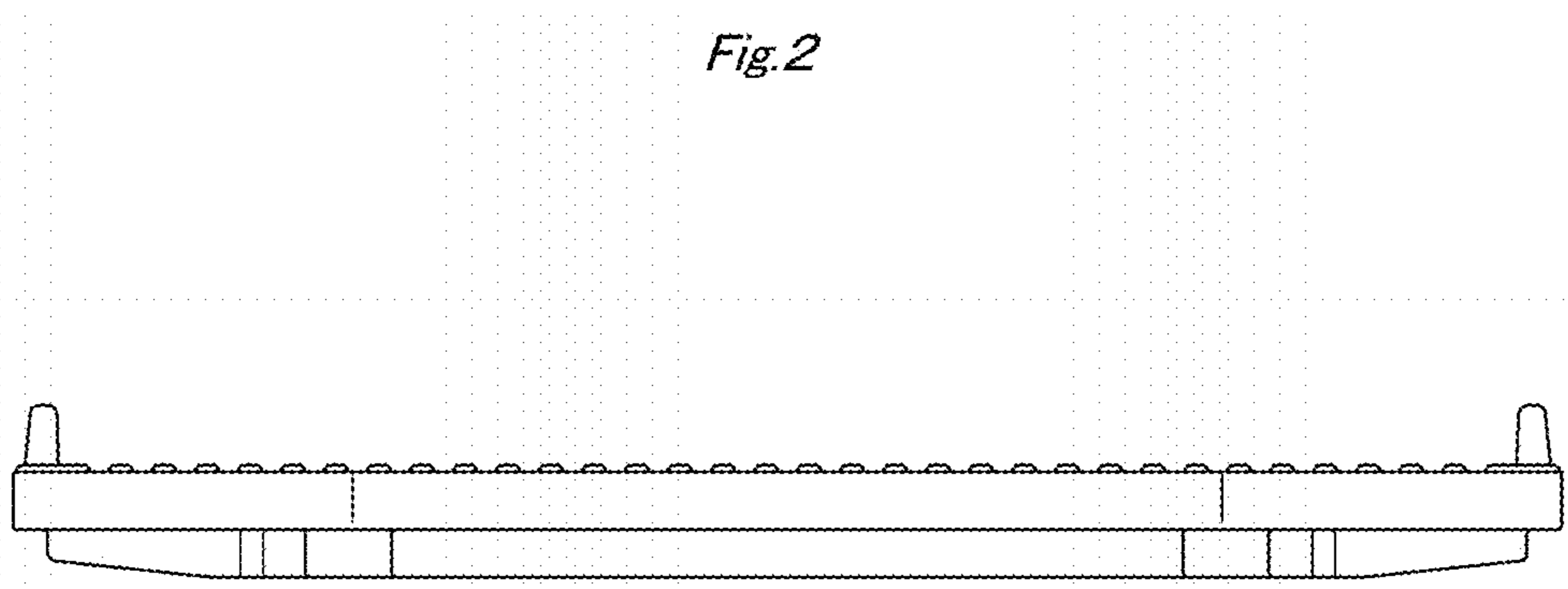


Fig. 3

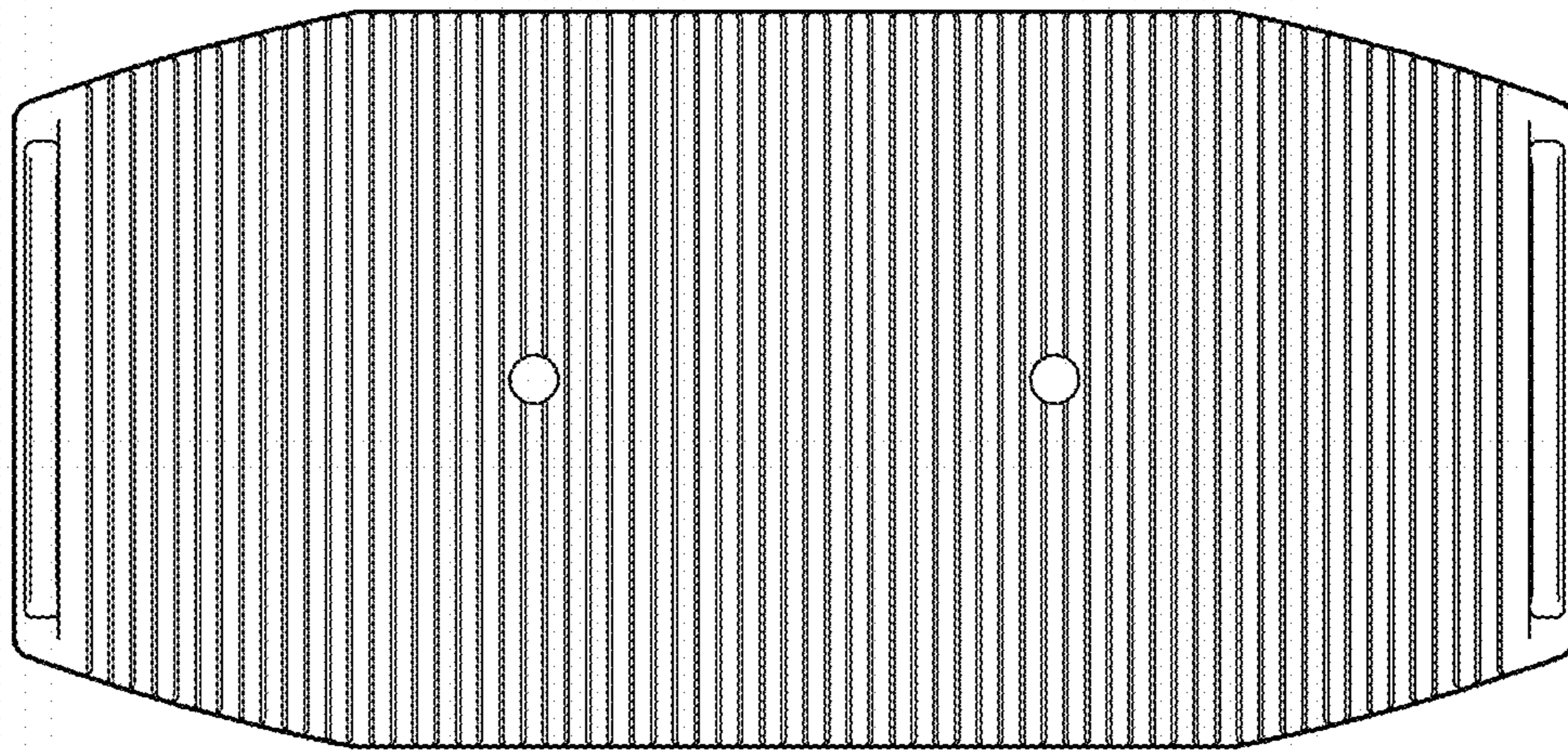
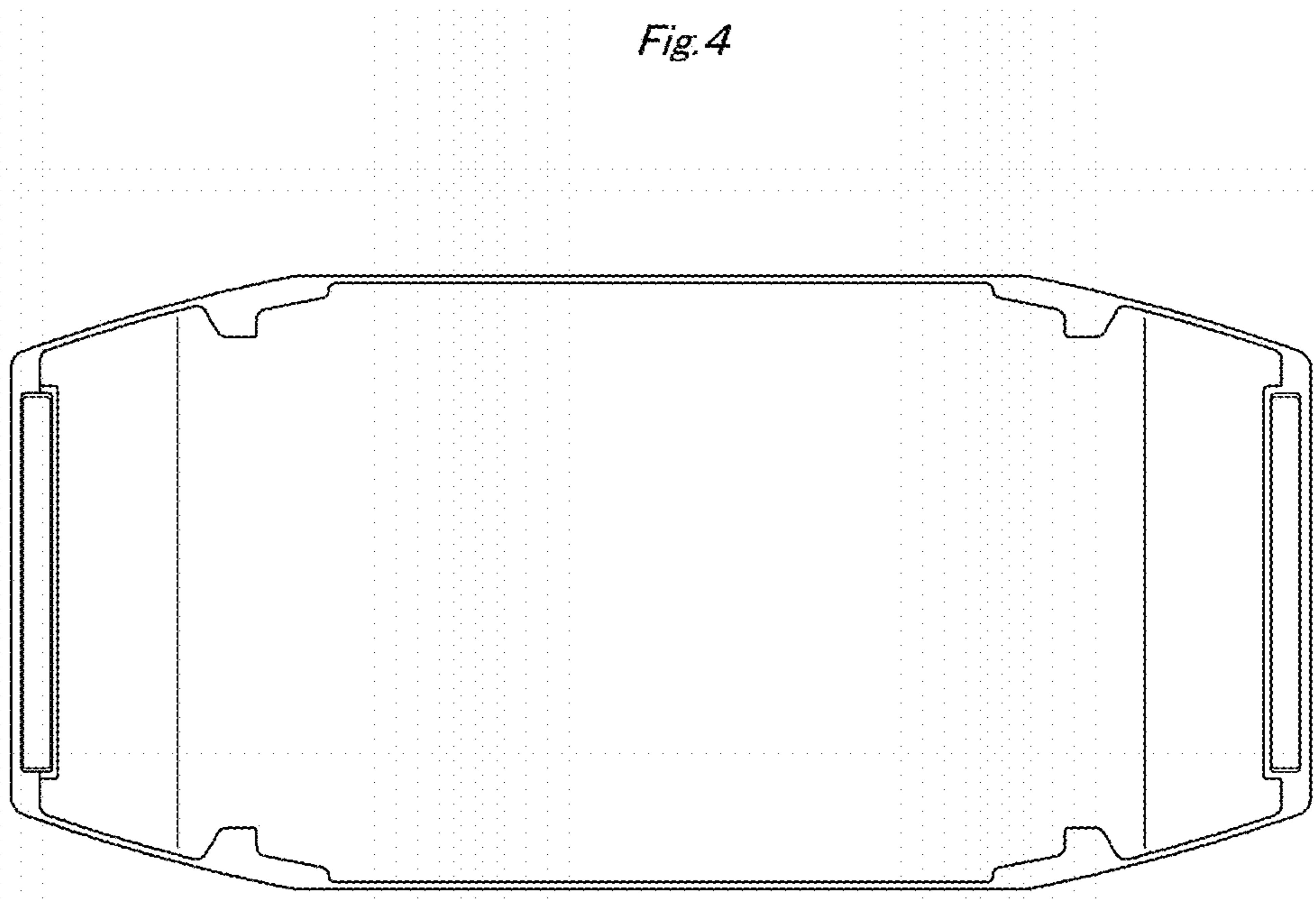
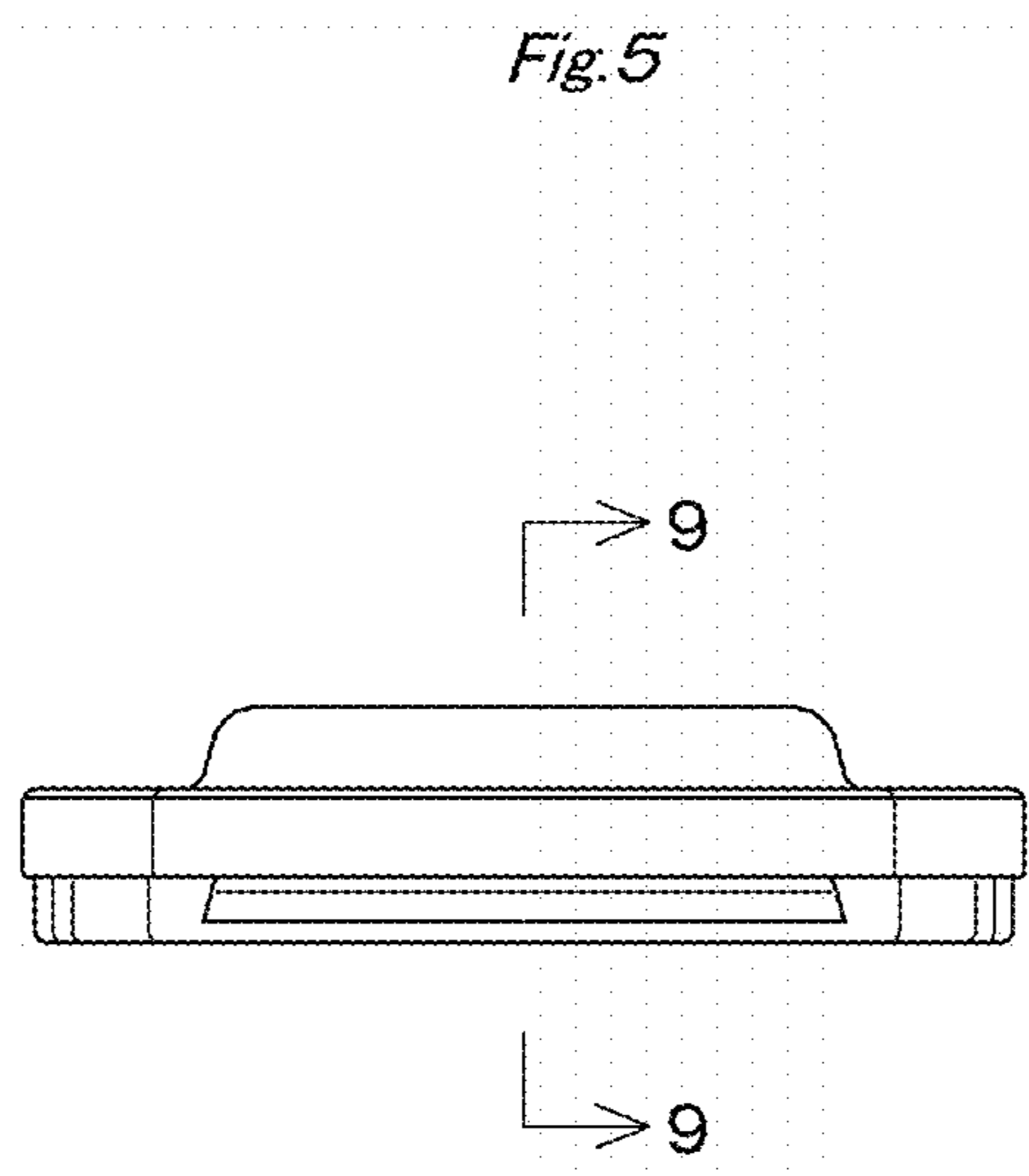


Fig. 4





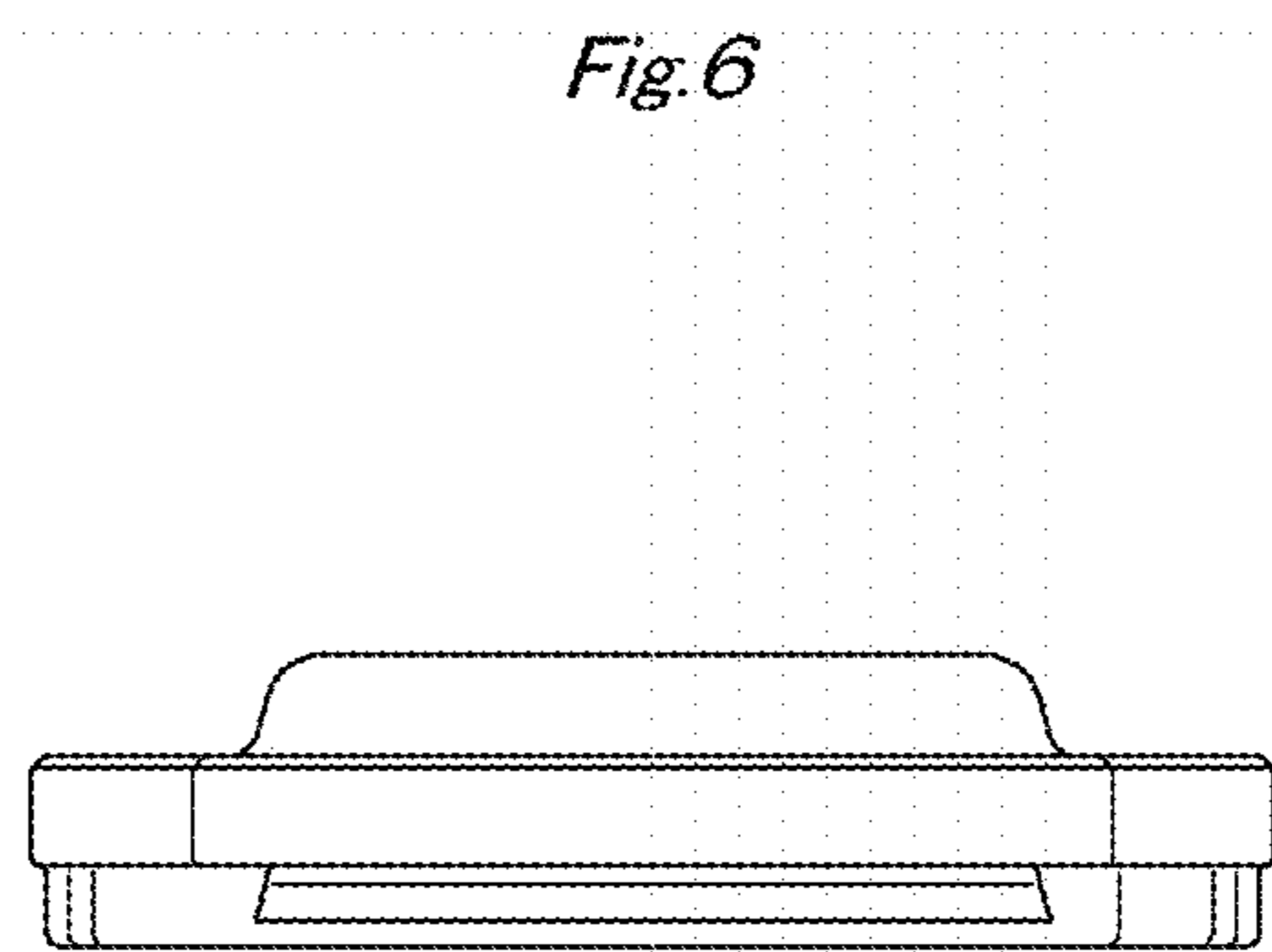


Fig. 7

