



US00D905921S

(12) **United States Design Patent** (10) **Patent No.:** **US D905,921 S**
Li (45) **Date of Patent:** **** Dec. 22, 2020**

(54) **SCRAPER BLADE**

(71) Applicants: **HANGZHOU UNITED TOOLS CO., LTD.**, Hangzhou (CN); **HANGZHOU GREAT STAR INDUSTRIAL CO., LTD.**, Hangzhou (CN)

(72) Inventor: **Yueming Li**, Hangzhou (CN)

(73) Assignees: **HANGZHOU UNITED TOOLS CO., LTD.**, Hangzhou (CN); **HANGZHOU GREAT STAR INDUSTRIAL CO., LTD.**, Hangzhou (CN)

(**) Term: **15 Years**

(21) Appl. No.: **29/689,859**

(22) Filed: **May 2, 2019**

(30) **Foreign Application Priority Data**

Feb. 20, 2019 (CN) 2019 3 0069216

(51) **LOC (12) Cl.** **07-05**

(52) **U.S. Cl.**
USPC **D32/46**

(58) **Field of Classification Search**
USPC D32/45-46; D8/20, 45; D28/45, 47
CPC A47L 13/08; A47L 13/02; B26B 21/56
See application file for complete search history.

(56) **References Cited**

U.S. PATENT DOCUMENTS

D117,402 S *	10/1939	Lynch	D32/41
2,474,451 A	6/1949	Zabel et al.		
D199,962 S *	1/1965	Peterson	D32/46
D208,190 S *	8/1967	Parry	D32/46
D276,564 S *	11/1984	Leininger	D32/40
D292,637 S *	11/1987	Miller	D32/41
D301,973 S *	7/1989	Parella	D8/349
D347,979 S *	6/1994	Feer	D7/678
D487,685 S *	3/2004	Zeilinger	D32/46

D514,763 S *	2/2006	Lyall, III	D32/46
D623,372 S *	9/2010	Murray	D32/46
D735,545 S *	8/2015	Rampling	D8/45
D759,328 S *	6/2016	Cleere	D32/46
D776,349 S *	1/2017	Skye	D28/54
D785,266 S *	4/2017	Russell	D32/46
D799,771 S *	10/2017	Toll	D32/46

(Continued)

FOREIGN PATENT DOCUMENTS

CN	203712730 U	7/2014
CN	207172140 U	4/2018

(Continued)

OTHER PUBLICATIONS

Hyde 11125 Blds Scrpr, HnT website 2020, <https://www.hardwareandtools.com/hyde-11125-blds-scrpr-4-edg-f-10350-1.5in-dkka-873> . . . , site visited May 11, 2020.*

(Continued)

Primary Examiner — John R Yeh
(74) *Attorney, Agent, or Firm* — Andrus Intellectual Property Law, LLP

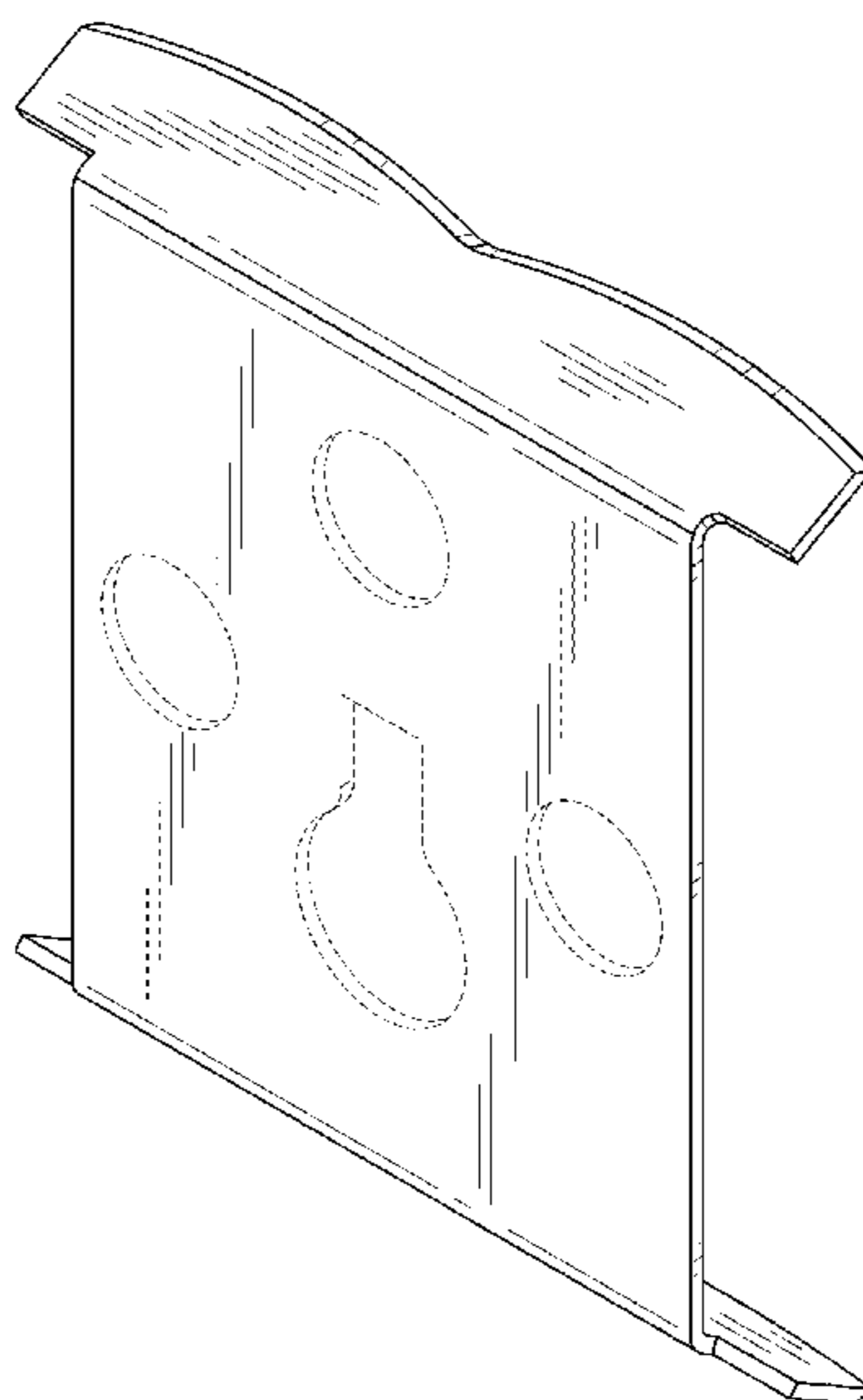
(57) **CLAIM**

The ornamental design for a scraper blade, as shown and described.

DESCRIPTION

FIG. 1 is a perspective view for a scraper blade;
FIG. 2 is a front elevation view thereof;
FIG. 3 is a rear elevation view thereof;
FIG. 4 is a left side elevation view thereof;
FIG. 5 is a right side elevation view thereof;
FIG. 6 is a top plan view thereof; and,
FIG. 7 is a bottom plan view thereof.
The broken lines in the figures illustrate portions of the scraper blade that form no part of the claimed design.

1 Claim, 7 Drawing Sheets



(56)

References Cited

U.S. PATENT DOCUMENTS

D819,287 S * 5/2018 King D32/46
D841,271 S * 2/2019 Motsenbocker D32/46
D850,745 S * 6/2019 Stecik D32/46
D856,766 S * 8/2019 Kaye, Jr. D8/20
D878,430 S * 3/2020 Bruce A01B 23/06
D15/29
D879,553 S * 3/2020 Exley B26D 3/11
D7/412
2014/0201937 A1* 7/2014 Ashe A47L 13/16
15/244.1
2015/0273706 A1 10/2015 Martin
2017/0355090 A1* 12/2017 Spencer B26B 21/527
2018/0228339 A1* 8/2018 Stecik A47J 37/0786

FOREIGN PATENT DOCUMENTS

JP D1189776 * 11/2003
KR 20150126273 A 11/2015

OTHER PUBLICATIONS

TinEye search results, Miniscraper image Jan. 29, 2018, <https://tineye.com/search/8b03b4cbfd49089b6b4a2b966226fb2741162aa?>
page=1, site visited May 11, 2020.*

* cited by examiner

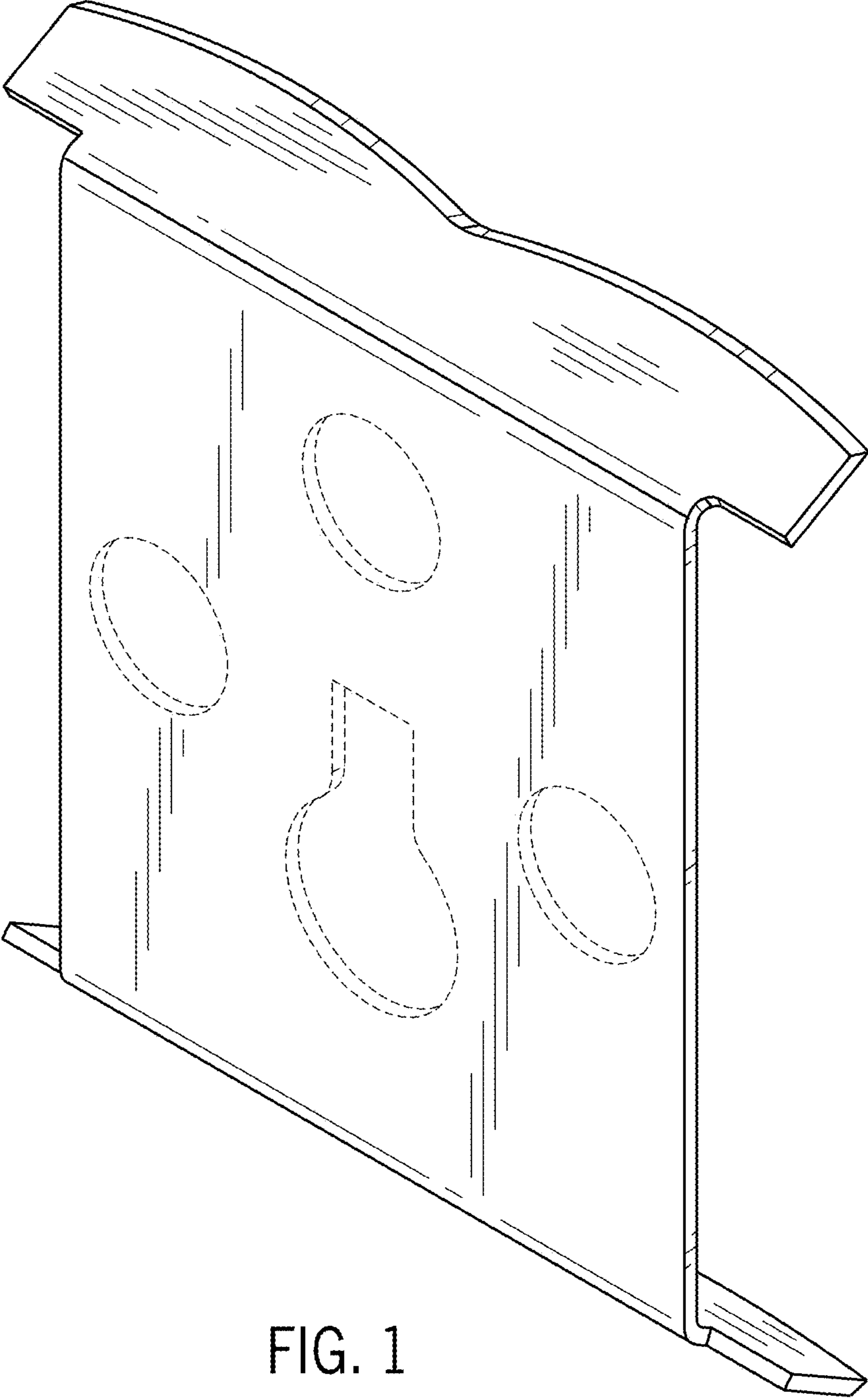


FIG. 1

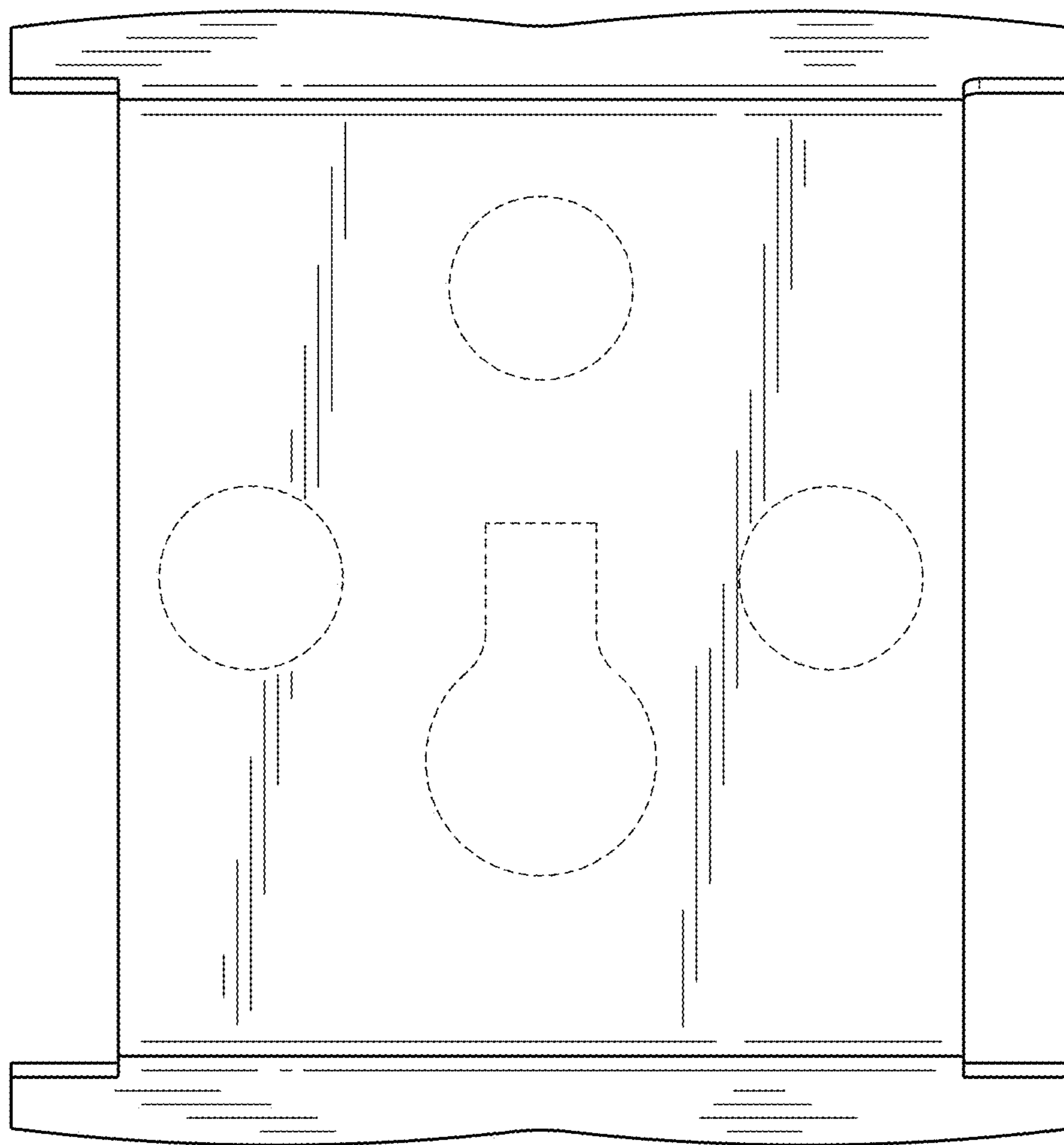


FIG. 2

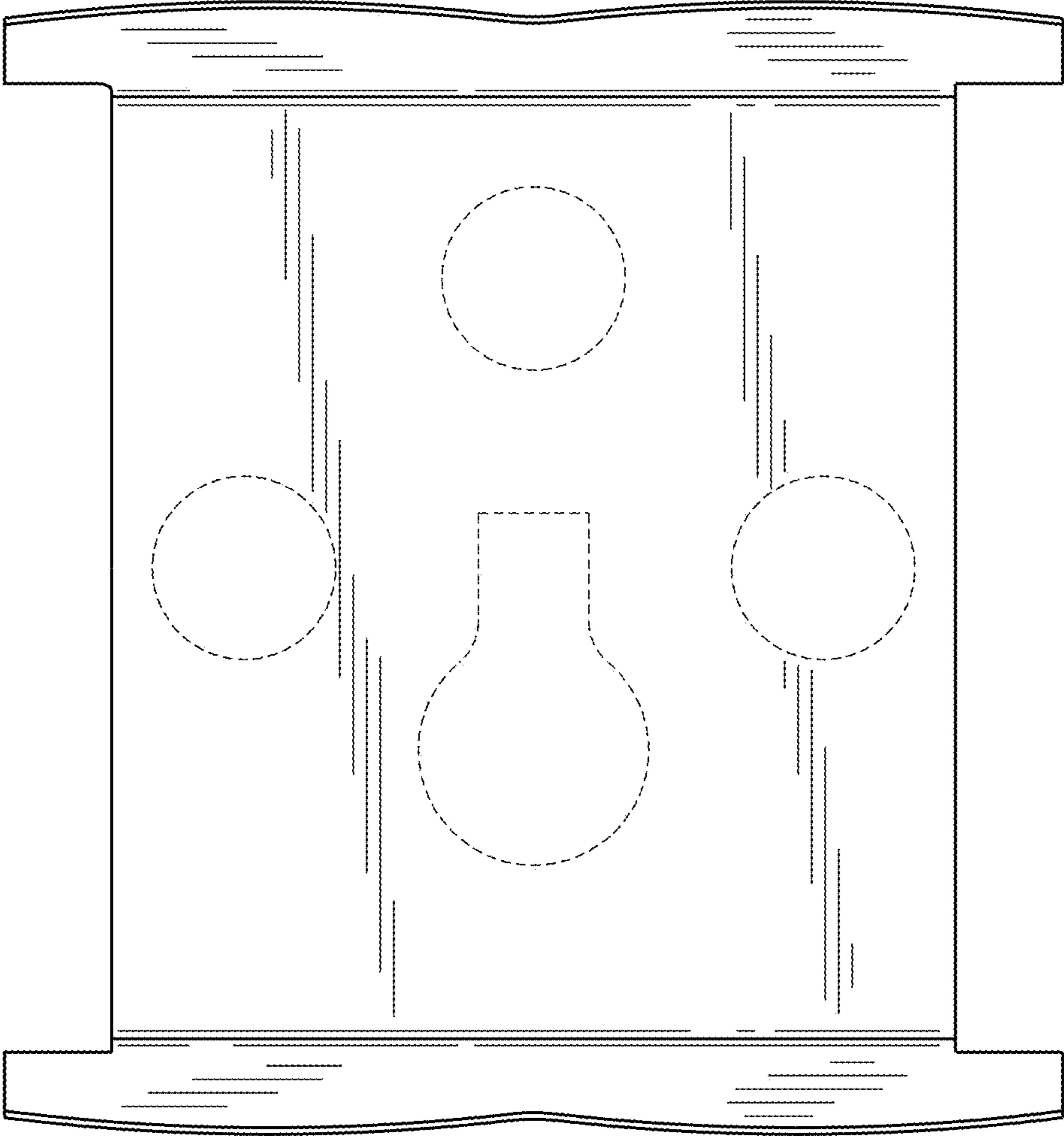


FIG. 3

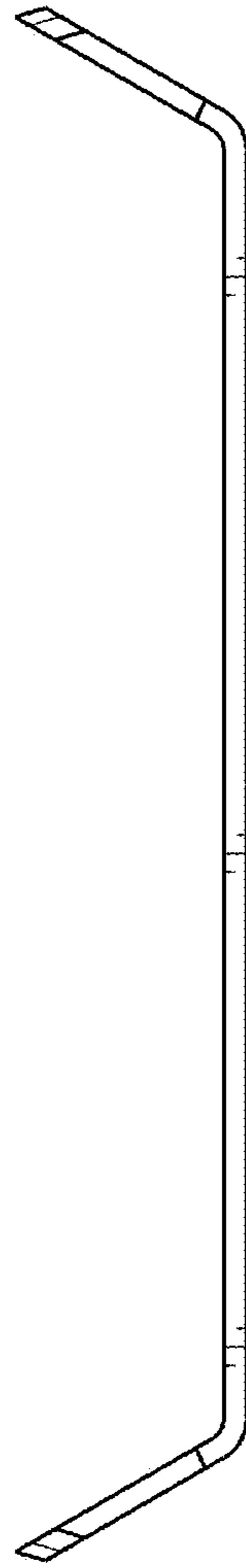


FIG. 4

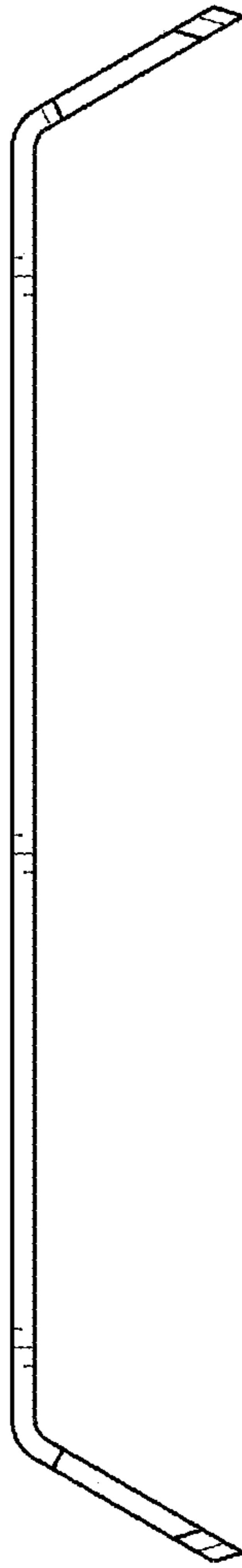


FIG. 5

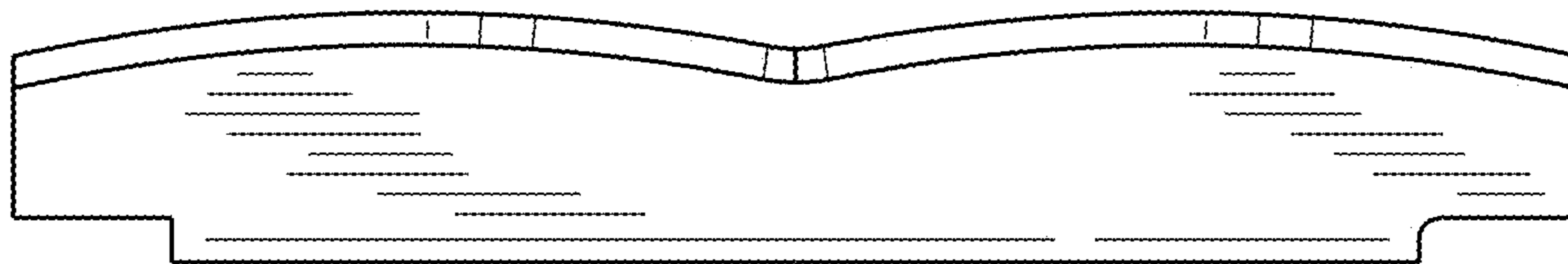


FIG. 6

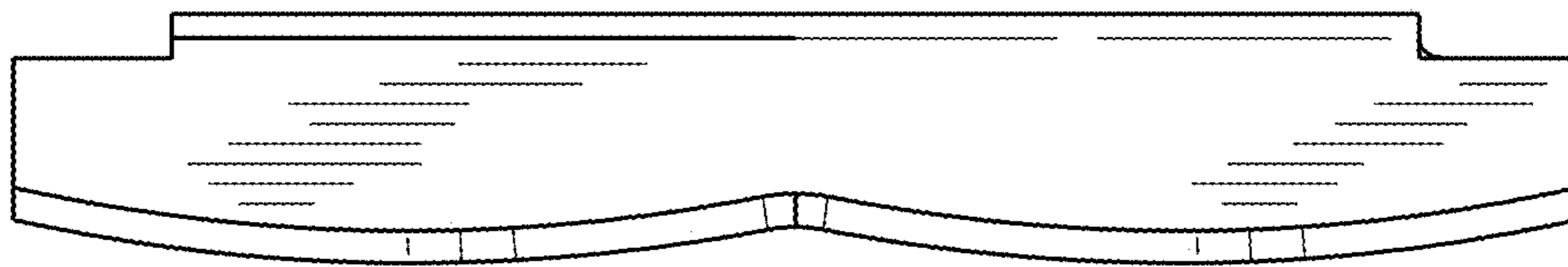


FIG. 7