



US00D905920S

(12) **United States Design Patent** (10) **Patent No.:** **US D905,920 S**
Kawada et al. (45) **Date of Patent:** **** Dec. 22, 2020**

(54) **ADHESIVE TAPE FOR CLEANING**

(71) Applicants: **NITOMS, INC.**, Tokyo (JP); **NITTO DENKO CORPORATION**, Osaka (JP)
(72) Inventors: **Tsutomu Kawada**, Tokyo (JP); **Yosuke Suyama**, Tokyo (JP); **Motoaki Akamatsu**, Tokyo (JP)
(73) Assignees: **NITOMS, INC.**, Tokyo (JP); **NITTO DENKO CORPORATION**, Osaka (JP)

(**) Term: **15 Years**

(21) Appl. No.: **29/676,874**

(22) Filed: **Jan. 15, 2019**

(30) **Foreign Application Priority Data**

Jul. 17, 2018 (JP) 2018-015689

(51) **LOC (12) Cl.** **07-05**

(52) **U.S. Cl.**
USPC **D32/35**

(58) **Field of Classification Search**
USPC D32/2-3, 25, 30, 35, 39, 46, 54; D4/128, D4/103, 121-122, 124, 116, 133, 199, D4/138; D3/200

(Continued)

(56) **References Cited**

U.S. PATENT DOCUMENTS

D59,017 S * 9/1921 Tour et al. D18/18
2,401,842 A * 6/1946 Slater A47L 25/005
15/104.002

(Continued)

FOREIGN PATENT DOCUMENTS

CN 304417454 * 12/2017
EM 002655233-0001 * 3/2015

(Continued)

OTHER PUBLICATIONS

Scotch-Brite™ Mini-Travel Lint Roller Tool, reviews 2019, [https://www.scotch-brite.com/3M/en_US/scotch-brite/tools/~/Scotch-Brite-Mini-Travel-Li . . .](https://www.scotch-brite.com/3M/en_US/scotch-brite/tools/~/Scotch-Brite-Mini-Travel-Li...), site visited Feb. 29, 2020.*

(Continued)

Primary Examiner — John R Yeh

(74) *Attorney, Agent, or Firm* — Fitch, Even, Tabin & Flannery LLP

(57) **CLAIM**

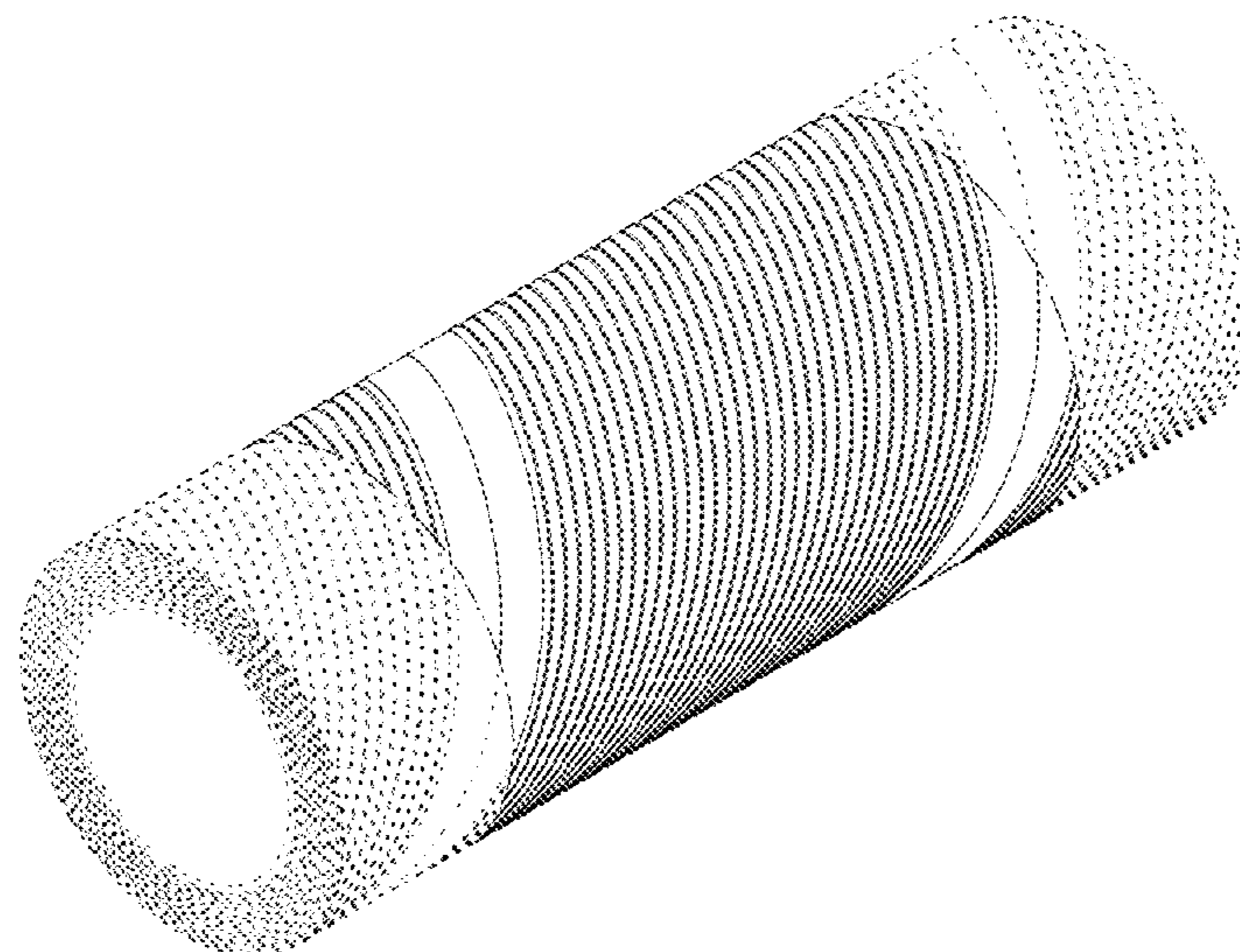
We claim the ornamental design for an adhesive tape for cleaning, as shown and described.

DESCRIPTION

FIG. 1 is a perspective view of an adhesive tape for cleaning, showing our new design;
FIG. 2 is a front elevational view thereof;
FIG. 3 is a rear elevational view thereof;
FIG. 4 is a top plan view thereof;
FIG. 5 is a bottom plan view thereof;
FIG. 6 is a right side elevational view thereof;
FIG. 7 is a left side elevational view thereof;
FIG. 8 is an enlarged cross-sectional view thereof taken along the section 8-10 and section 8 of FIG. 4 and section 8-10 in FIG. 2;
FIG. 9 is an enlarged cross-sectional view thereof taken along the section 8-10 and section 9 of FIG. 4 and section 8-10 in FIG. 2; and
FIG. 10 is an enlarged cross-sectional view thereof taken along the section 8-10 and section 10 of FIG. 4 and section 8-10 in FIG. 2.

The dashed broken lines show portions of the adhesive tape for cleaning that form no part of the claimed design. The dot-dash-dot broken lines define the bounds of the claimed design and form no part thereof.

1 Claim, 5 Drawing Sheets



(58) **Field of Classification Search**
 CPC B32B 33/00; A47L 25/00
 See application file for complete search history.

(56) **References Cited**

U.S. PATENT DOCUMENTS

D162,250 S * 2/1951 Staggars et al. D32/41
 2,669,742 A * 2/1954 Coughlan B05C 17/02
 15/230.11
 2,887,711 A * 5/1959 Hutchinson A63C 11/08
 15/230.11
 3,421,170 A * 1/1969 Thomas, Jr. A47L 25/005
 15/104.002
 D273,058 S * 3/1984 McKay D4/122
 D273,059 S * 3/1984 McKay D4/122
 D321,093 S * 10/1991 Jarecki D4/122
 D336,784 S * 6/1993 Yen D4/122
 D341,256 S * 11/1993 Brazis D4/122
 D407,870 S * 4/1999 Pappas D32/25
 D468,540 S * 1/2003 Jessen D4/122
 D683,545 S * 6/2013 Refior D4/122
 8,763,190 B2 * 7/2014 Ross A47L 13/00
 15/104.001
 D742,086 S * 10/2015 Pennington D32/1
 D756,132 S * 5/2016 Michelson D4/122
 D814,130 S * 3/2018 Taub D32/40
 D818,716 S * 5/2018 Savignac D4/122

2006/0048888 A1* 3/2006 Raymond B29C 67/0048
 156/250
 2007/0179522 A1* 8/2007 Becker A61L 15/46
 606/204
 2009/0107856 A1* 4/2009 Egnatic A47L 15/505
 206/6.1
 2013/0205522 A1* 8/2013 Butts A47L 25/005
 15/104.002

FOREIGN PATENT DOCUMENTS

JP 2003-190074 A 7/2003
 JP 2004-089288 A 3/2004
 JP 2006-116087 A 5/2006
 JP 1277691 S 7/2006
 JP 3167893 U 4/2011
 JP 3167893 U 5/2011
 JP 1453469 S 10/2012

OTHER PUBLICATIONS

The Colocolo by Nitoms | website 2020, <https://the-web.co.jp/en/product/the-colocolo-by-nitoms/> site visited Mar. 1, 2020.*
 JP3167893B2—How to reduce the network resources location traffic and apparatus, patent cited on IDS sheet?, <https://patents.google.com/patent/JP3167893B2/en?q=3167893+> site visited Mar. 1, 2020.*

* cited by examiner

FIG. 1

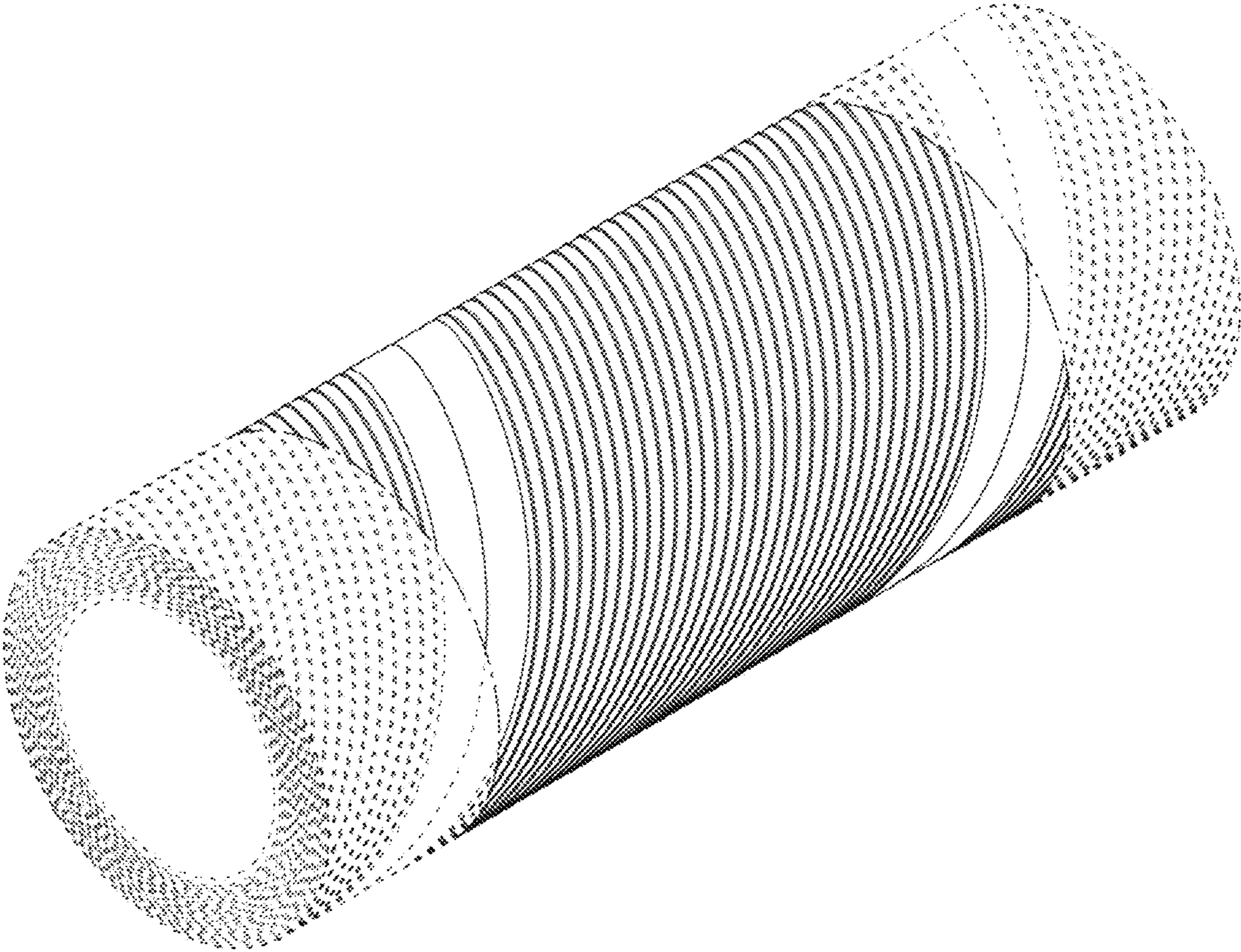


FIG. 2

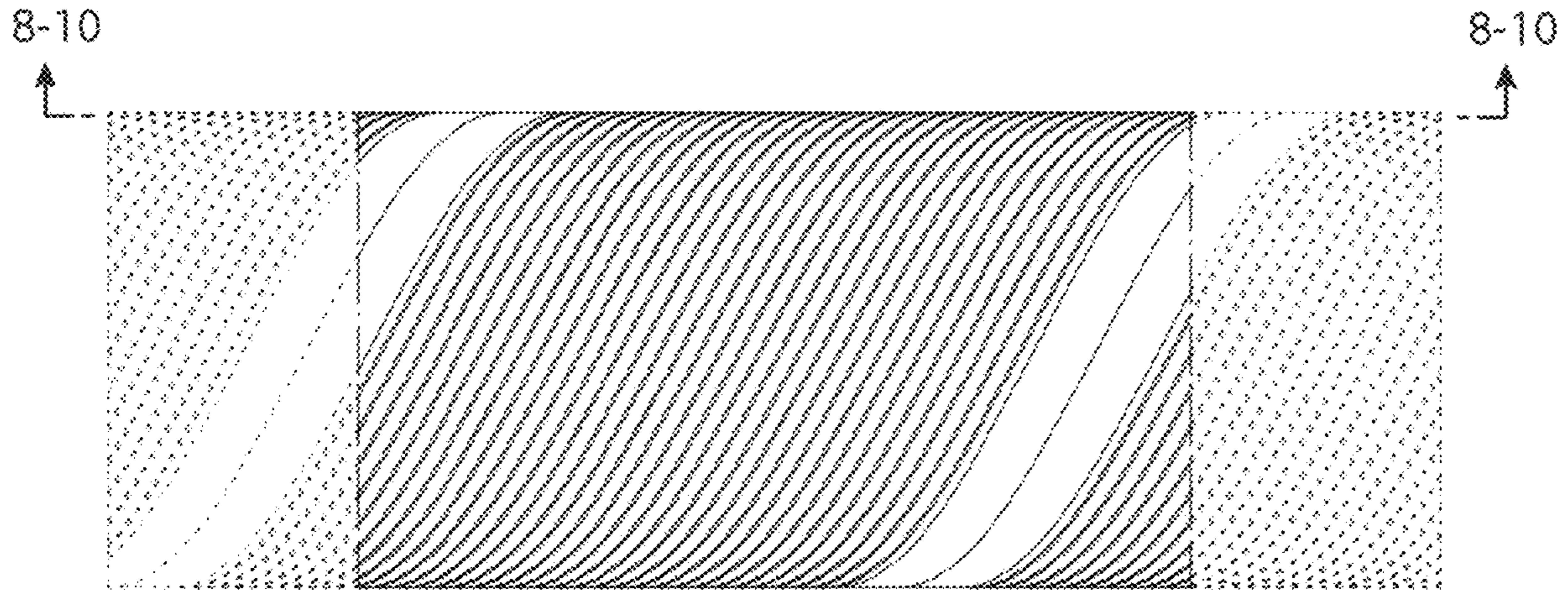
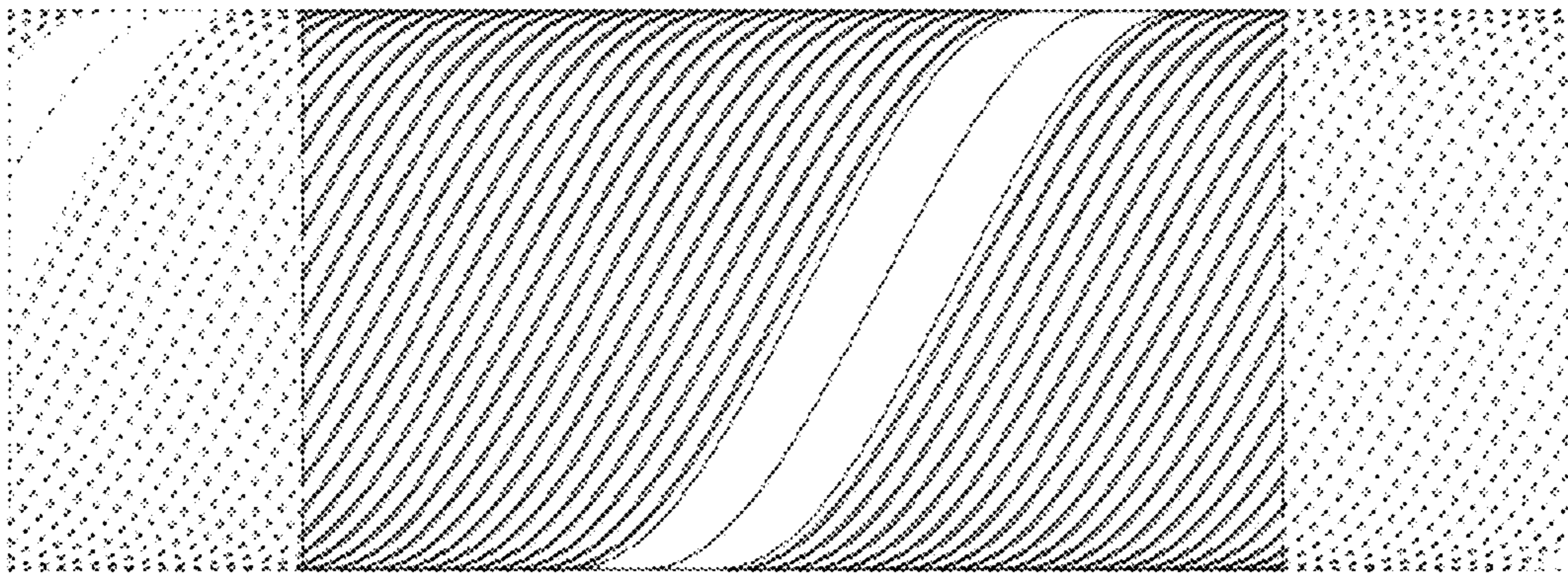


FIG. 3



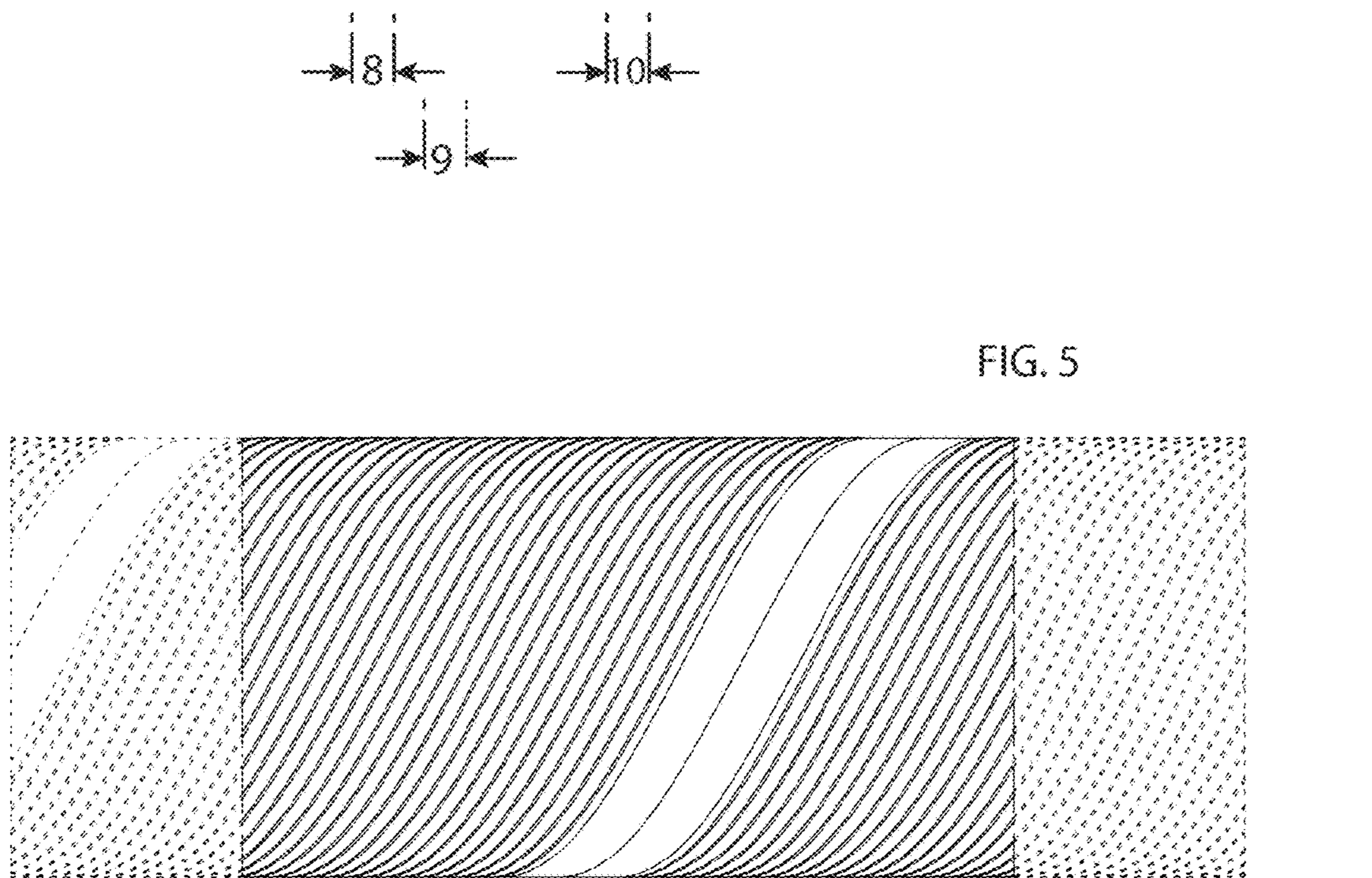
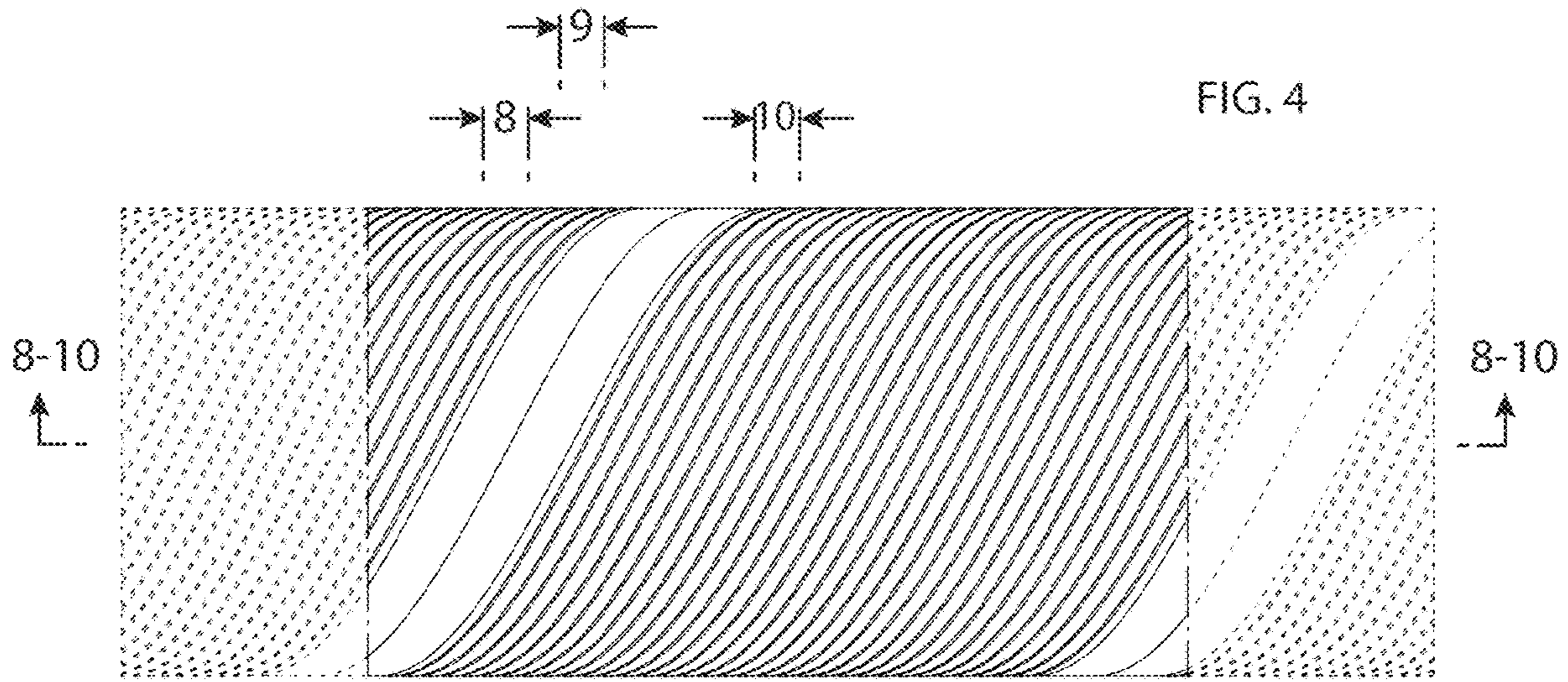


FIG. 6

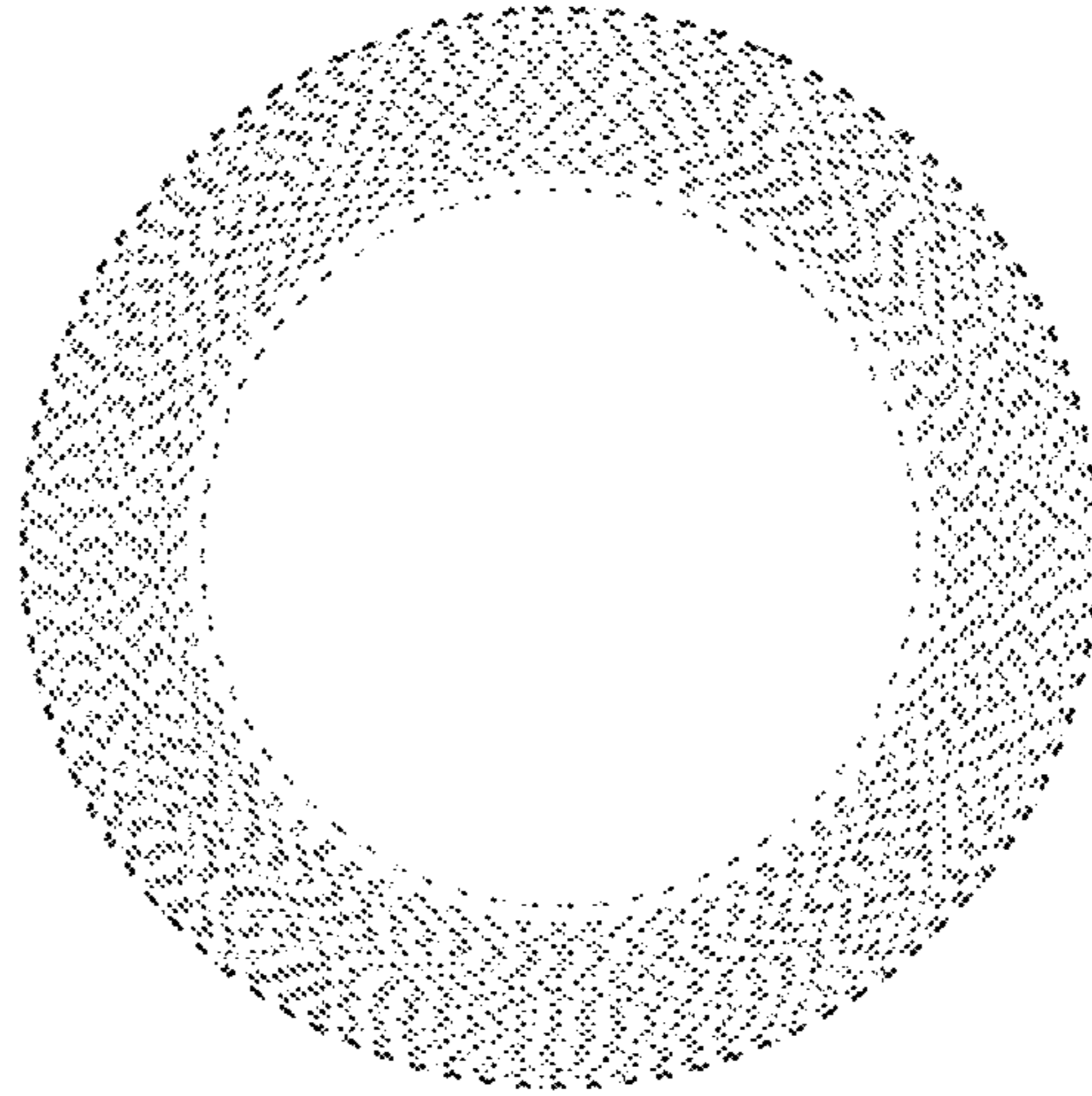


FIG. 7

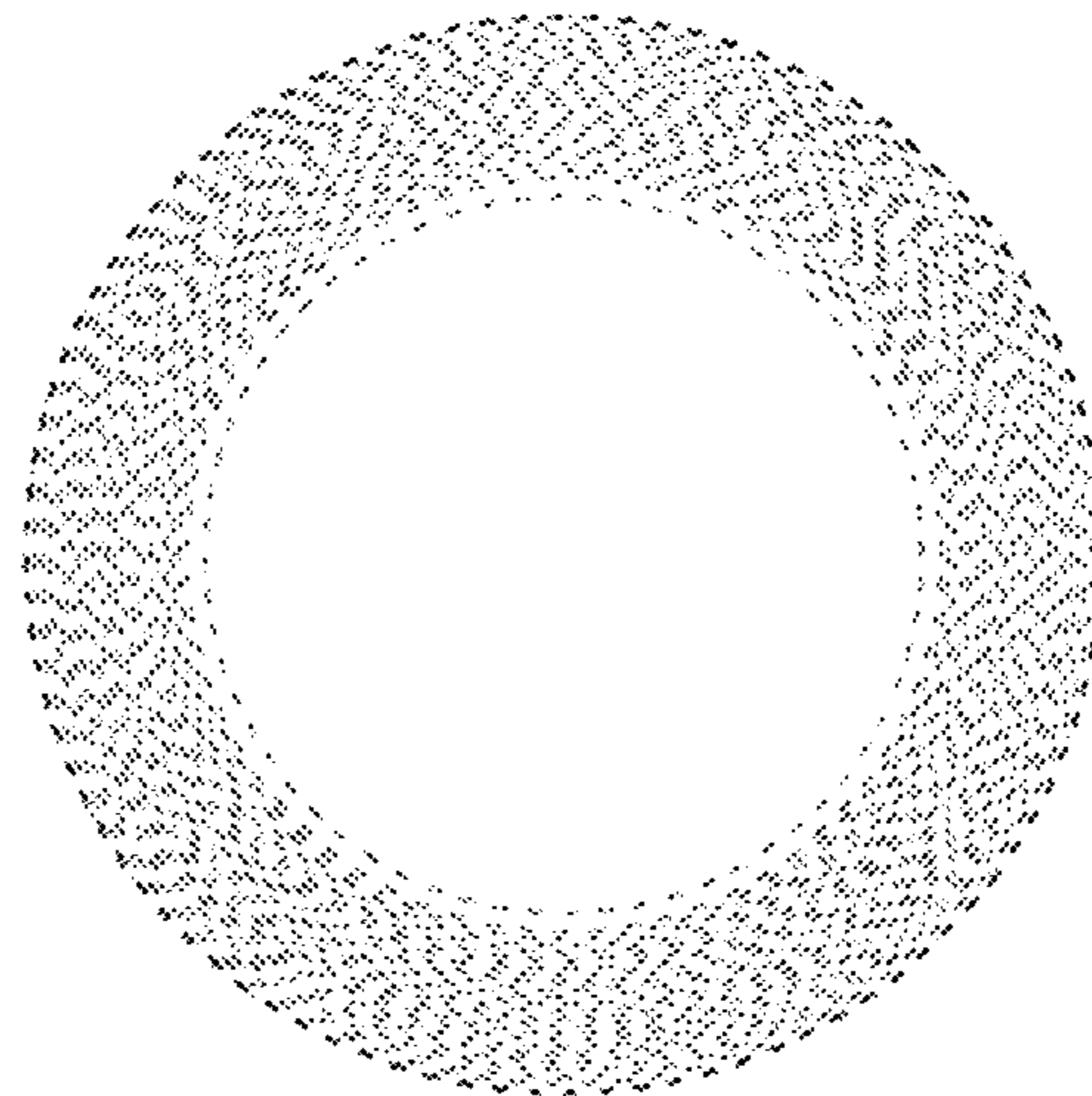


FIG. 8

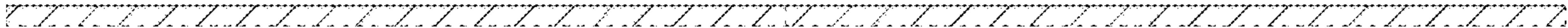


FIG. 9

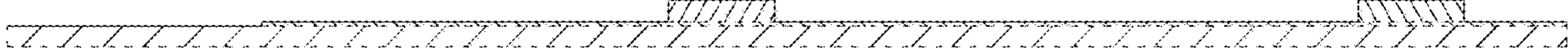


FIG. 10

