

US00D905919S

(12) **United States Design Patent** (10) **Patent No.:** **US D905,919 S**
Niedzwecki et al. (45) **Date of Patent:** **** Dec. 22, 2020**

(54) **HAND VACUUM COMPONENT FOR A VACUUM CLEANER**

(71) Applicant: **SharkNinja Operating, LLC**,
Needham, MA (US)
(72) Inventors: **Scott Niedzwecki**, East Walpole, MA
(US); **Luis A. Canas**, Stoughton, MA
(US); **Owen R. Johnson**, Needham,
MA (US)
(73) Assignee: **SharkNinja Operating LLC**,
Needham, MA (US)

(**) Term: **15 Years**

(21) Appl. No.: **29/658,920**

(22) Filed: **Aug. 3, 2018**

Related U.S. Application Data

(63) Continuation of application No. 29/603,071, filed on
May 5, 2017, now Pat. No. Des. 870,406.

(51) **LOC (12) Cl.** **15-05**

(52) **U.S. Cl.**
USPC **D32/34; D32/22**

(58) **Field of Classification Search**
USPC D32/15–25, 29, 31–34
CPC . A47L 9/00; A47L 9/0063; A47L 9/32; A47L
9/322; A47L 9/325; A47L 9/327; A47L
11/00; A47L 11/22; A47L 11/24;
(Continued)

(56) **References Cited**

U.S. PATENT DOCUMENTS

D348,548 S 7/1994 Pino
D668,010 S 9/2012 Stickney et al.
(Continued)

FOREIGN PATENT DOCUMENTS

EM 003404540-0001 10/2016
EP 2218385 A3 3/2013
(Continued)

OTHER PUBLICATIONS

Shark IONFlex 2X DuoClean Cordless (on-line), dated Nov. 30,
2018. Retrieved from Internet May 21, 2020, URL: <https://web.archive.org/web/20181130085818/https://www.amazon.com/Shark-DuoClean-Cordless-Ultra-Light-IF251/dp/B074F2YGBF> (2 pages)
(Year: 2018).*

(Continued)

Primary Examiner — Samantha Q Lawrence

Assistant Examiner — Kimberly Barnes

(74) *Attorney, Agent, or Firm* — Grossman Tucker
Perreault & Pfeleger, PLLC

(57) **CLAIM**

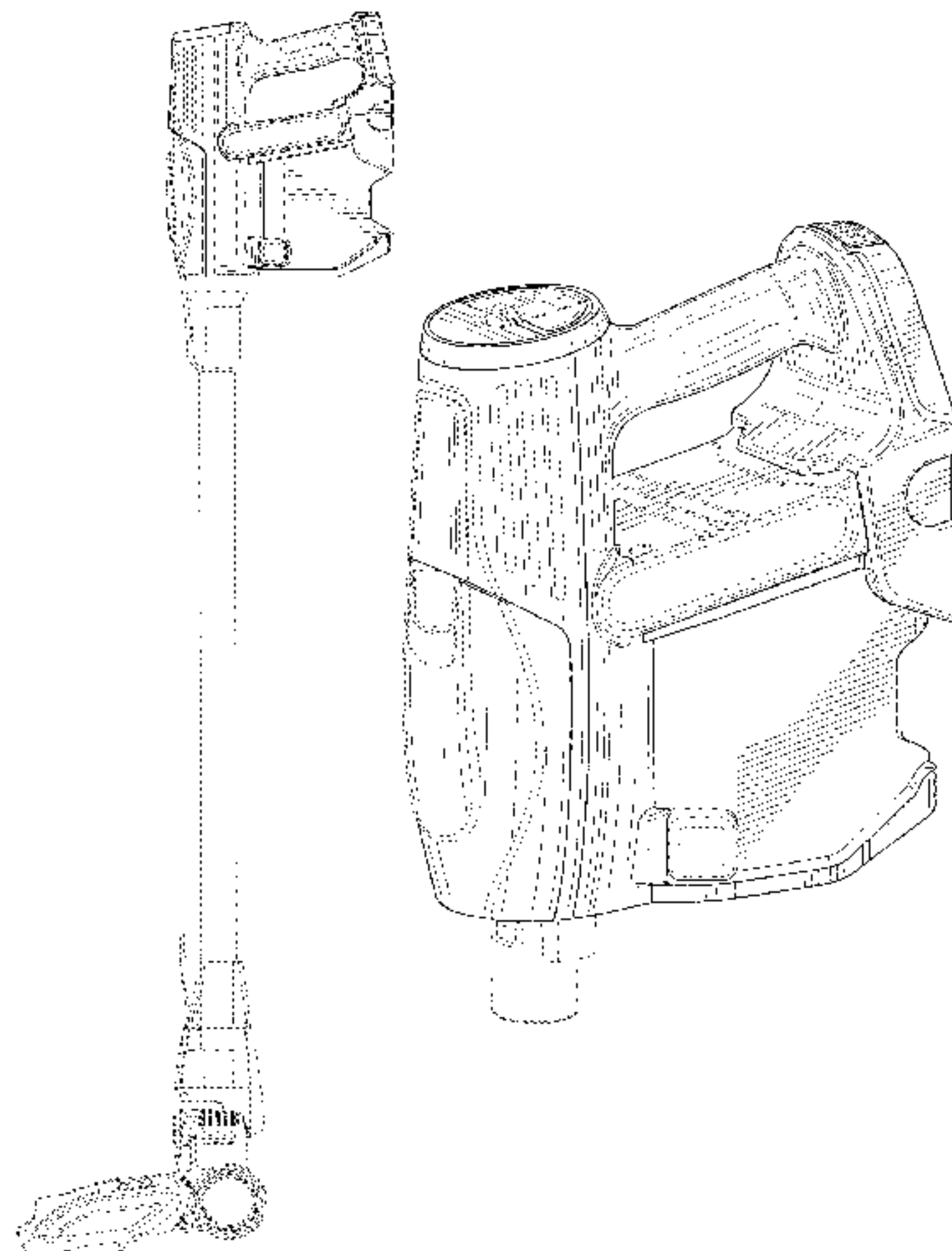
The ornamental design for a hand vacuum component for a
vacuum cleaner, as shown and described.

DESCRIPTION

FIG. 1 is a front view of a hand vacuum component for a
vacuum cleaner, showing our new design;
FIG. 2 is a back view thereof;
FIG. 3 is a left side view thereof;
FIG. 4 is a right side view thereof;
FIG. 5 is an enlarged perspective view of the hand vacuum
component for a vacuum cleaner detached from the rest of
the vacuum cleaner;
FIG. 6 is a left side view thereof;
FIG. 7 is a right side view thereof;
FIG. 8 is a front view thereof;
FIG. 9 is a back view thereof;
FIG. 10 is a top view thereof; and,
FIG. 11 is a bottom view thereof.

The broken lines are included for the purpose of illustrating
portions of the hand vacuum component for a vacuum
cleaner that form no part of the claimed design.

1 Claim, 7 Drawing Sheets



(58) **Field of Classification Search**

CPC .. A47L 11/32; A47L 11/4075; A47L 11/4094;
 A47L 11/20; A47L 11/40; A47L 5/24;
 A47L 5/28; A47L 7/02; A47L 5/225;
 A47L 5/36; A47L 9/0018; A47L 5/32;
 A47L 5/365; A47L 9/1666; B04C 5/185

See application file for complete search history.

D830,016 S	10/2018	Lim	
D830,017 S	10/2018	Nam et al.	
D838,067 S *	1/2019	Irfan	A47L 9/1666
			D32/22
D840,615 S *	2/2019	Burgess	D32/18
D844,918 S *	4/2019	Kim	D32/34
D862,011 S *	10/2019	Kim	D32/22
D871,695 S *	12/2019	Niedzwecki	D32/22
2010/0107359 A1	5/2010	Yoo	
2011/0219571 A1	9/2011	Dyson et al.	
2014/0150202 A1	6/2014	Schultheis	
2014/0237760 A1	8/2014	Conrad	
2015/0289735 A1	10/2015	Van Der Kooi et al.	
2019/0254491 A1*	8/2019	Conrad	A47L 5/32
2019/0254493 A1*	8/2019	Conrad	A47L 5/365
2020/0047192 A1*	2/2020	Conrad	B04C 5/185

(56) **References Cited**

U.S. PATENT DOCUMENTS

D731,130 S	6/2015	Dyson et al.	
D731,134 S	6/2015	Dyson et al.	
D731,136 S	6/2015	Yun et al.	
D731,720 S	6/2015	Gidwell et al.	
D738,584 S	9/2015	Niedzwecki	
D741,558 S	10/2015	Kerr	
D742,083 S	10/2015	Gidwell et al.	
D743,123 S	11/2015	Chu	
D745,231 S	12/2015	Niedzwecki	
D747,571 S	1/2016	Dyson	
D747,572 S	1/2016	Kerr	
9,451,853 B2	9/2016	Conrad et al.	
D774,260 S	12/2016	Manning	
D792,665 S	7/2017	Salagnac	
D798,009 S	9/2017	Salagnac	
D799,767 S	10/2017	Palladino et al.	
D800,980 S *	10/2017	Carter	D32/21
9,883,781 B2	2/2018	Thorne et al.	
D814,723 S	4/2018	Palladino et al.	
D819,282 S	5/2018	Kim et al.	
D821,044 S	6/2018	Cao et al.	
D824,616 S	7/2018	Ward et al.	
D827,955 S	9/2018	Palladino et al.	

FOREIGN PATENT DOCUMENTS

JP	H11187997 A	7/1999
JP	2001120473 A	5/2001
JP	2003339589 A	12/2003
JP	2006247229 A	9/2006
WO	2011083294 A1	7/2011

OTHER PUBLICATIONS

“Shark Rocket Ultra-Light Upright (HV301)”, <https://www.amazon.com/Shark-Rocket-Ultra-Light-Upright-HV301>, Oct. 31, 2018.
 “Shark HV322 TruePat Rocket Ultra-Lightweight Upright Vacuum”, <https://www.amazon.com/Shark-HV322-TruePet-Ultra-Lightweight-Upright>, Oct. 31, 2018.

* cited by examiner

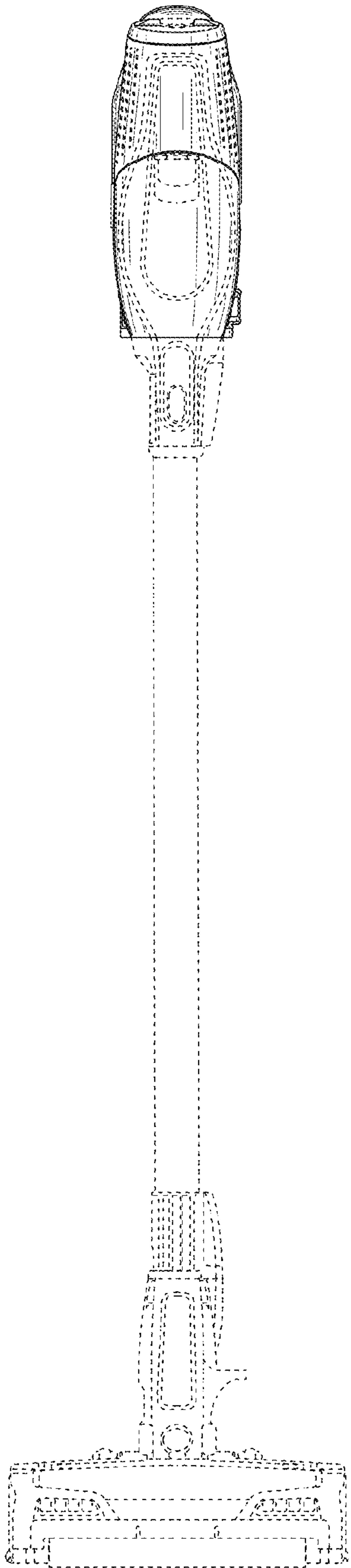


FIG. 1

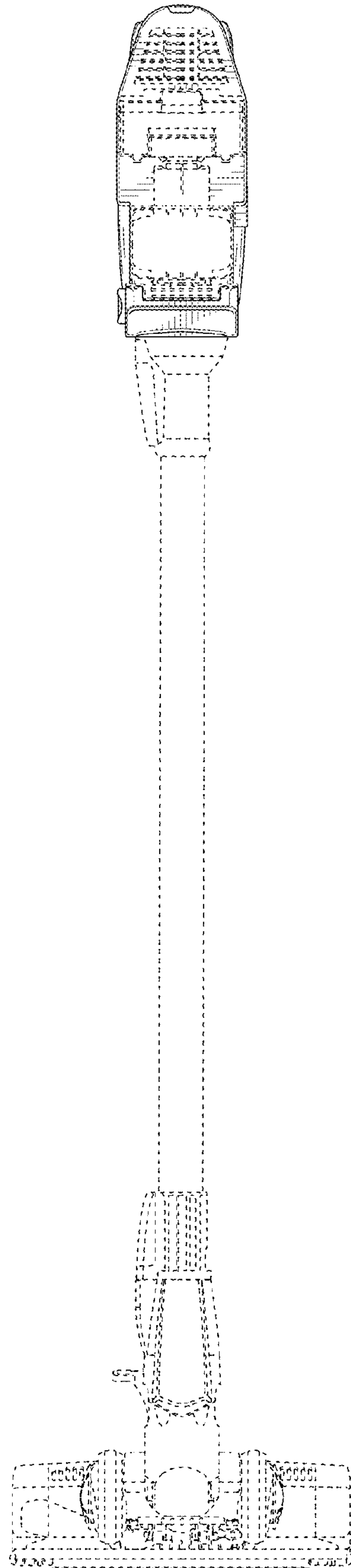


FIG. 2

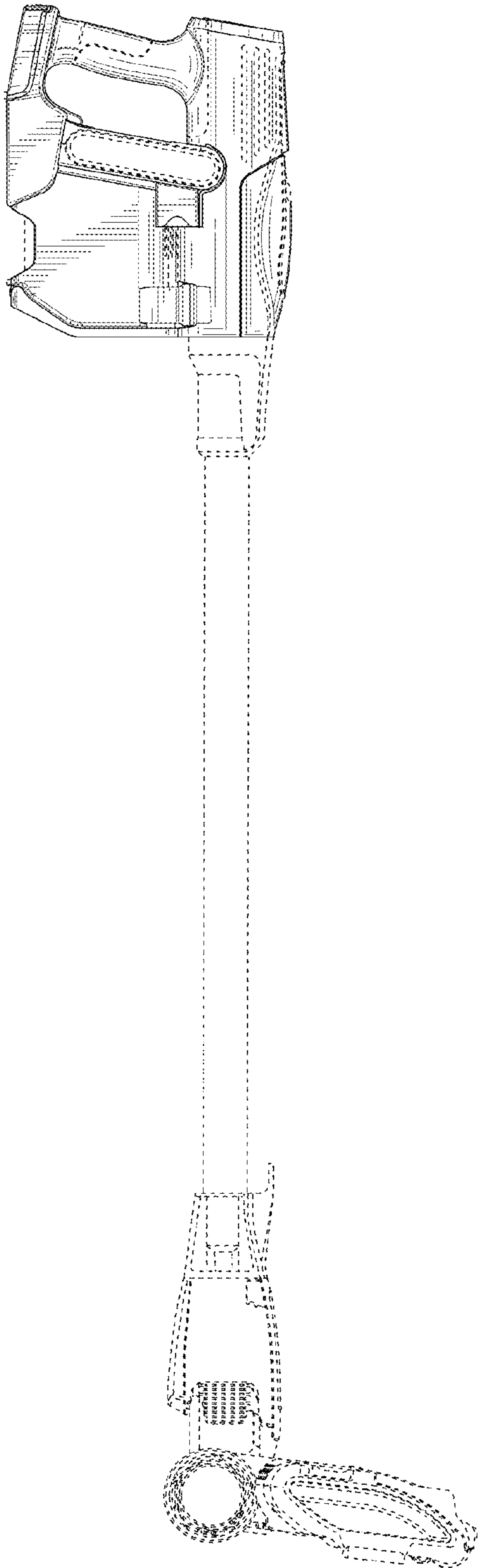


FIG. 3

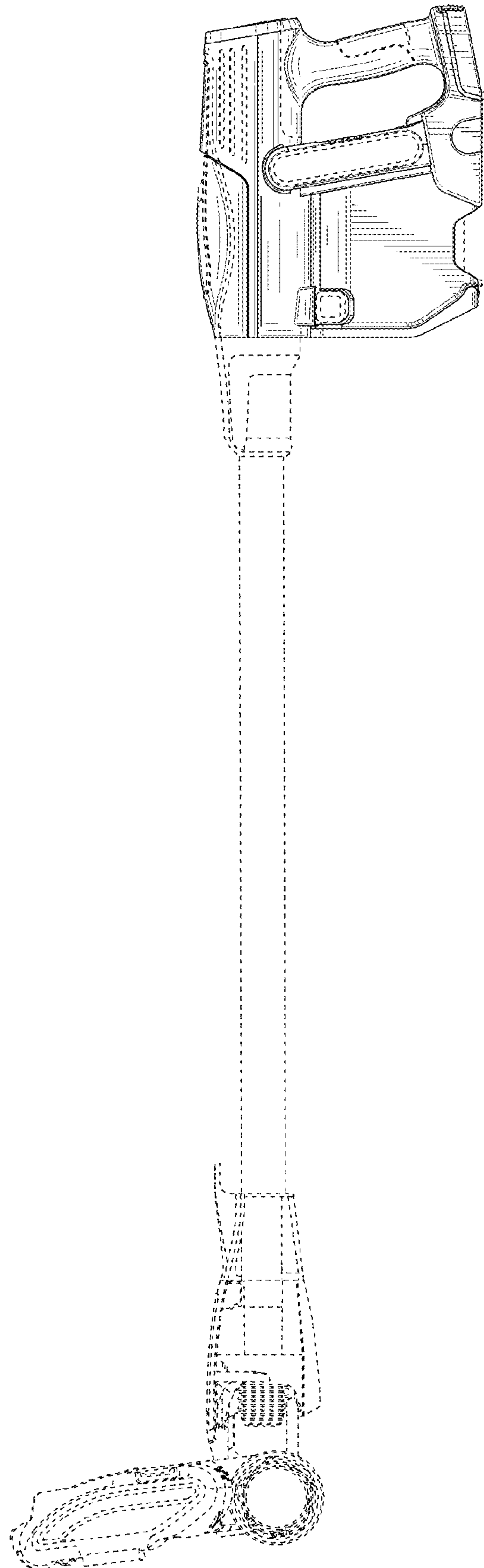


FIG. 4

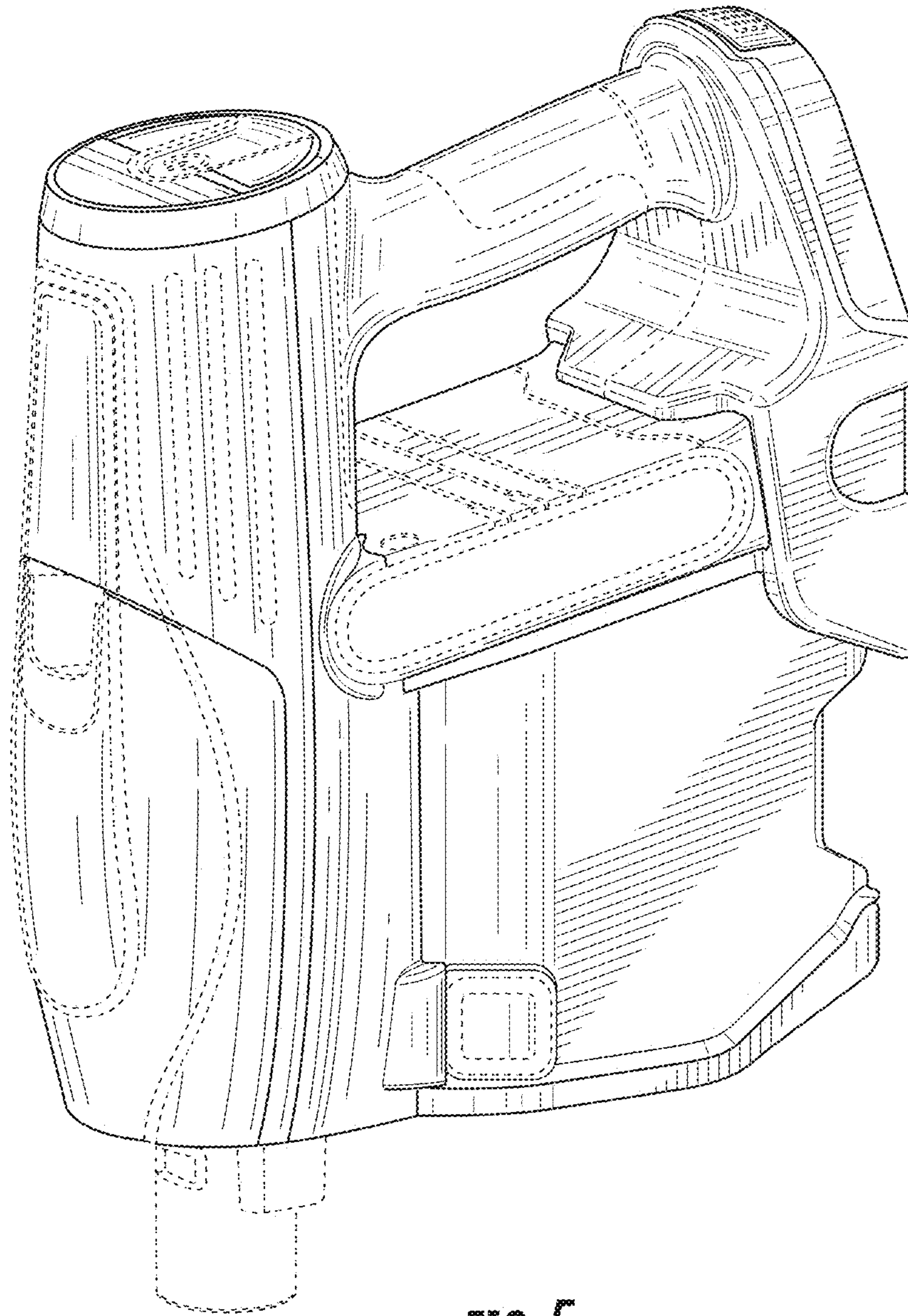


FIG. 5

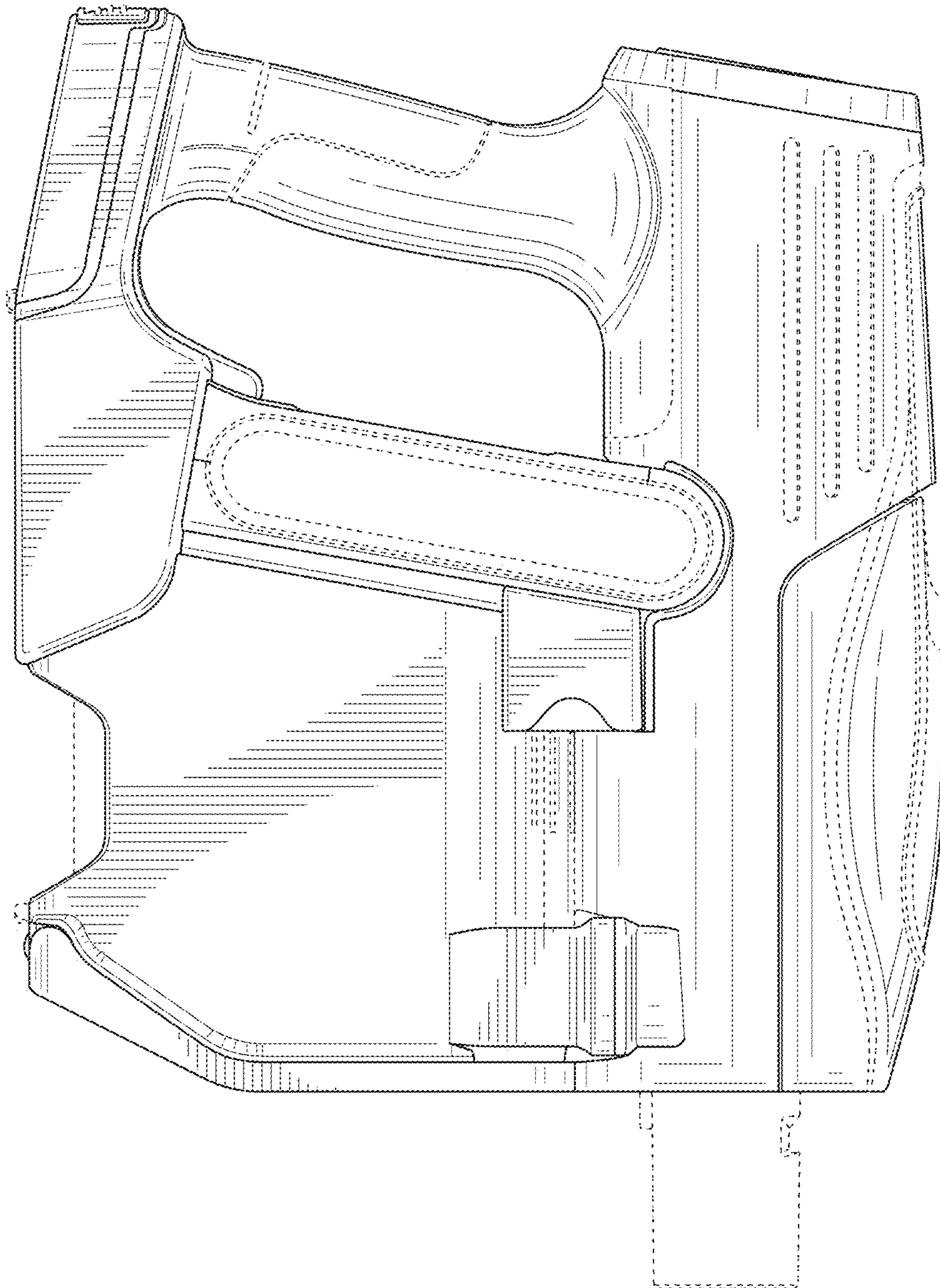


FIG. 6

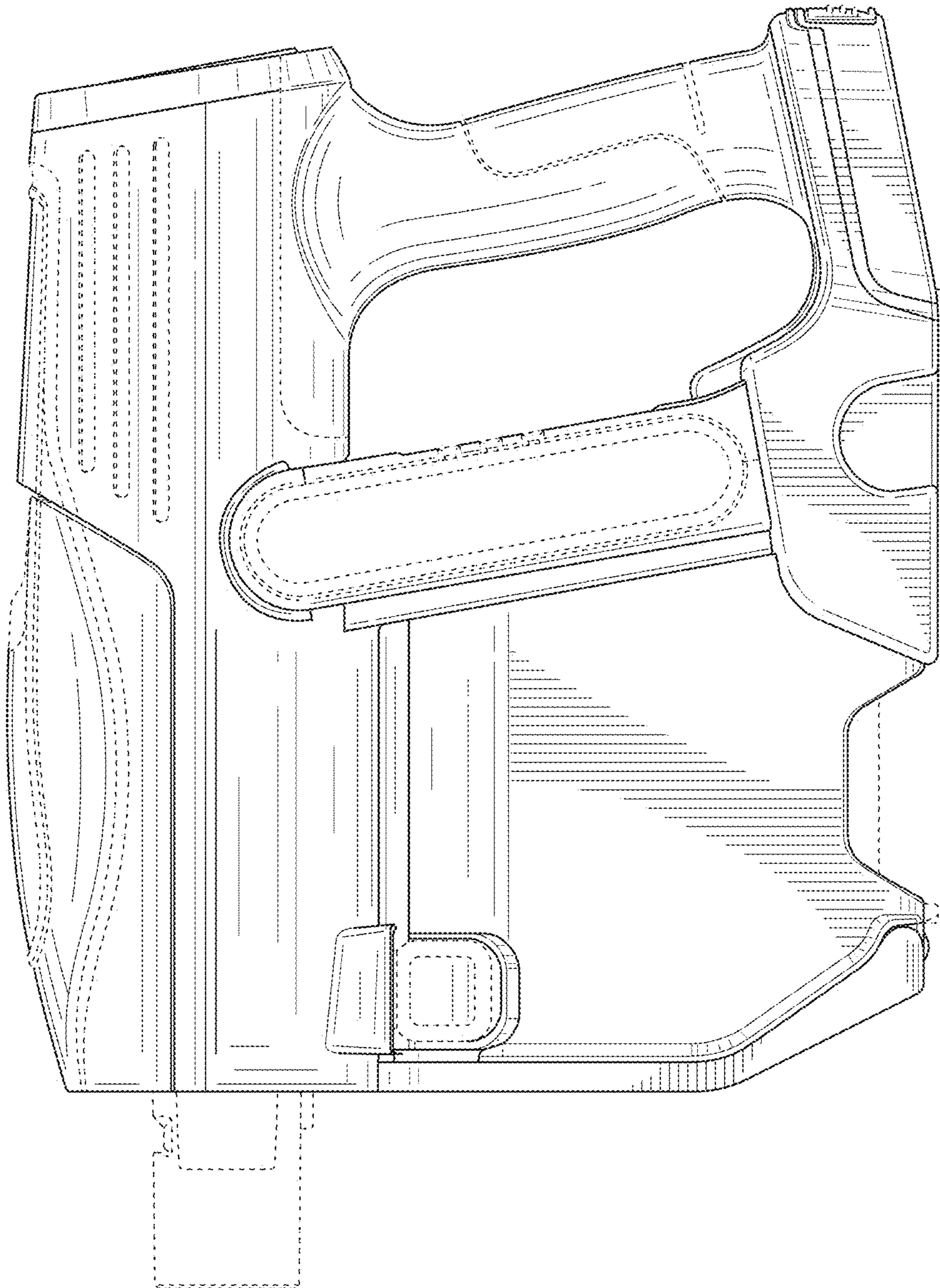


FIG. 7

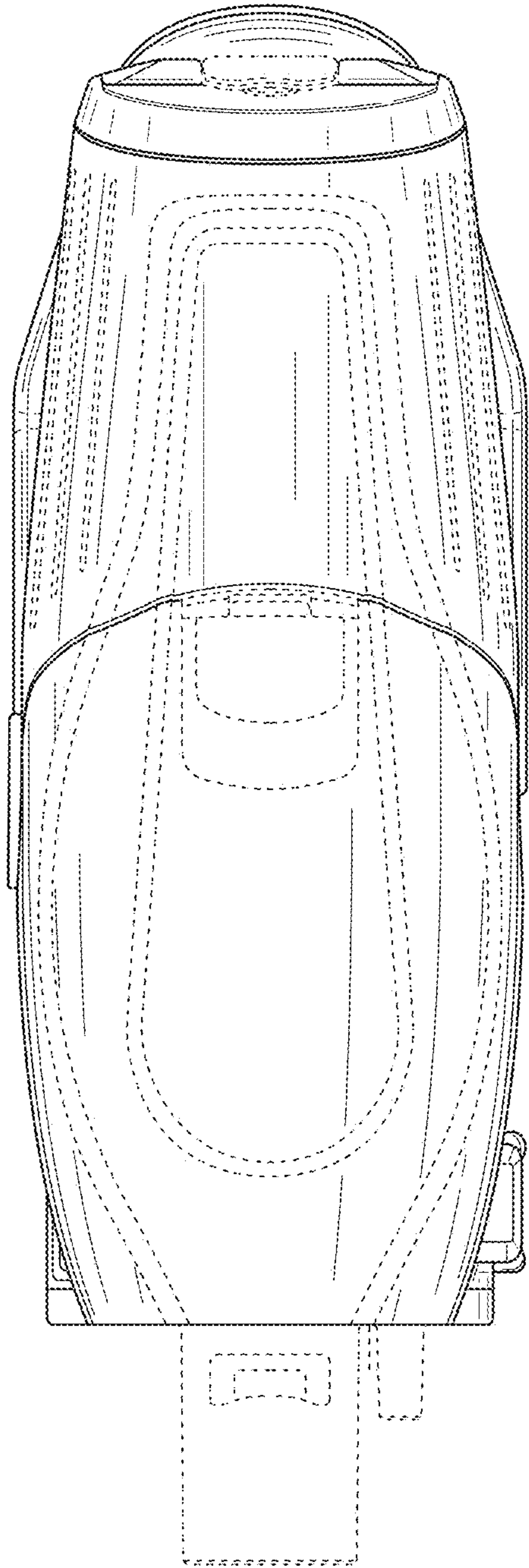


FIG. 8

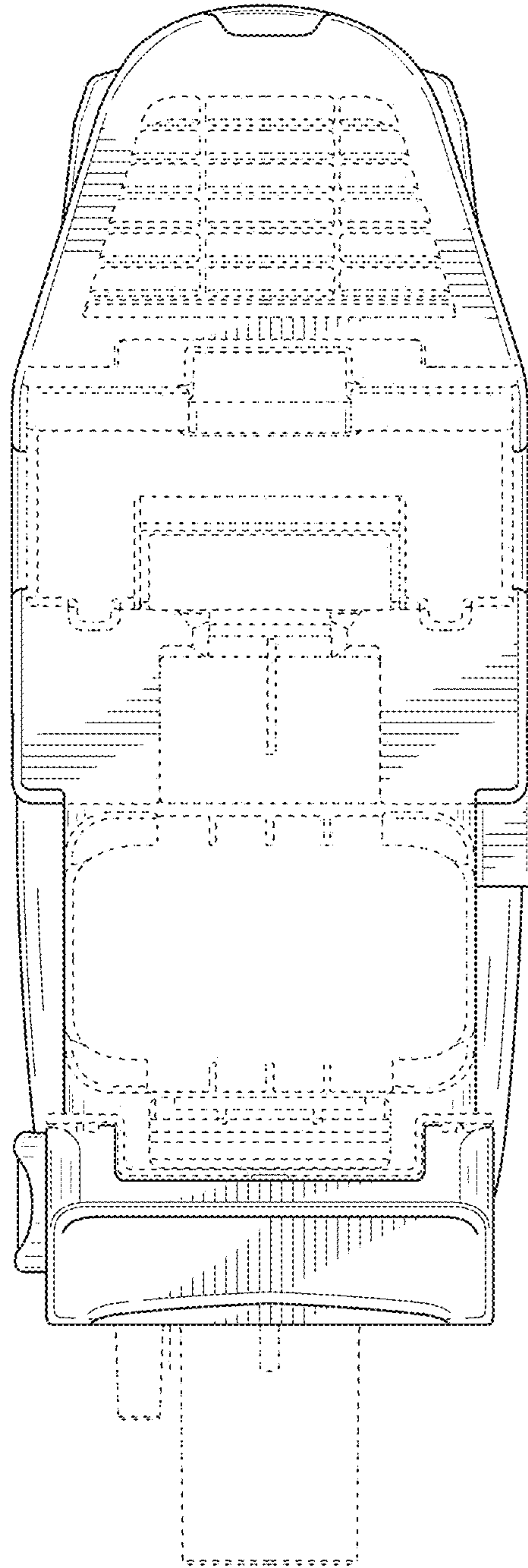


FIG. 9

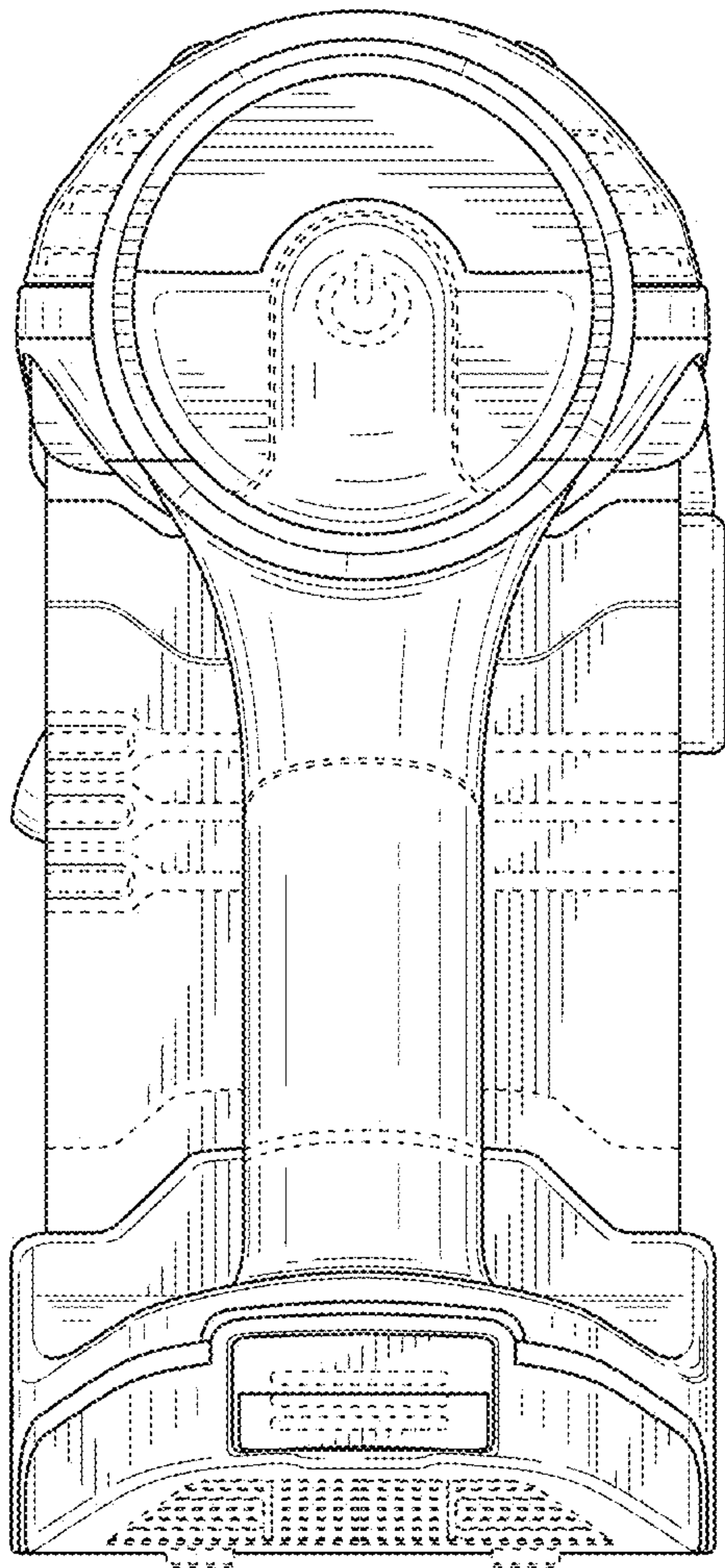


FIG. 10

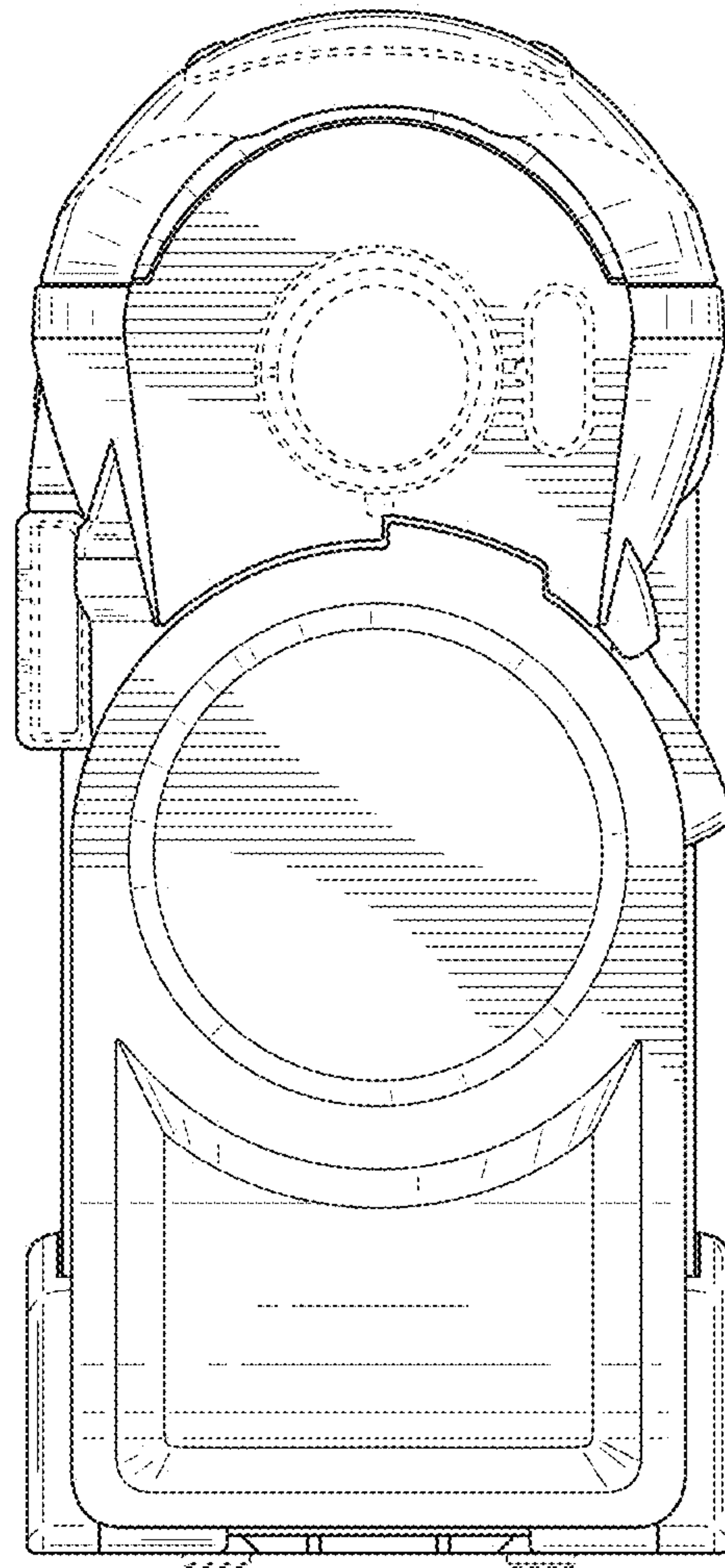


FIG. 11