



US00D905917S

(12) **United States Design Patent** (10) **Patent No.:** **US D905,917 S**
Kinally et al. (45) **Date of Patent:** **** Dec. 22, 2020**

(54) **SINGLE DOSE CLEANSING UNIT**

(71) Applicant: **The Procter & Gamble Company**,
Cincinnati, OH (US)

(72) Inventors: **Yaan Thomas Kinally**, Cambridge
(GB); **Darren Seymour**, Cambridge
(GB)

(73) Assignee: **The Procter & Gamble Company**,
Cincinnati, OH (US)

(**) Term: **15 Years**

(21) Appl. No.: **29/683,553**

(22) Filed: **Mar. 14, 2019**

(30) **Foreign Application Priority Data**

Sep. 18, 2018 (WO) 8939101

(51) **LOC (12) Cl.** **15-05**

(52) **U.S. Cl.**
USPC **D32/29.1**

(58) **Field of Classification Search**
USPC D32/40-43, 46-49, 29.1; D8/33, 92, 98;
D28/8.1-8.2
CPC A61B 17/14; B26B 19/38; B66F 15/00
See application file for complete search history.

(56) **References Cited**

U.S. PATENT DOCUMENTS

D271,817 S * 12/1983 Collin D32/40
D299,275 S * 1/1989 Ott D24/103
D302,481 S * 7/1989 Miller D24/103
D328,010 S * 7/1992 Daenen D32/29.1
D353,940 S * 1/1995 Joyner D28/63
D392,433 S * 3/1998 Norris D32/40
D396,904 S * 8/1998 Leu D21/713
D396,907 S * 8/1998 Donnelly 401/289
D416,654 S * 11/1999 Haynes D28/63
D429,437 S * 8/2000 Valenti D6/582
D431,676 S * 10/2000 Neergaard D28/8.1

D437,972 S * 2/2001 Harty D28/7
D473,982 S * 4/2003 Clark D32/29.1
D509,935 S * 9/2005 Burt D28/63
D571,515 S * 6/2008 Krause D32/40
D588,766 S * 3/2009 Dunshee D32/40
D607,163 S * 12/2009 Swiderski D32/29.1

(Continued)

OTHER PUBLICATIONS

Polymeric Foam, Urethane Scouring Pad, Graingers website 2020,
<https://www.grainger.com/product/6NE88?gclid=Cj0KCQjwhtT1BRciARIsAGIY51K0thz...> site visited May 8,
2020.*

(Continued)

Primary Examiner — John R Yeh

(74) *Attorney, Agent, or Firm* — Carrie Schwartz

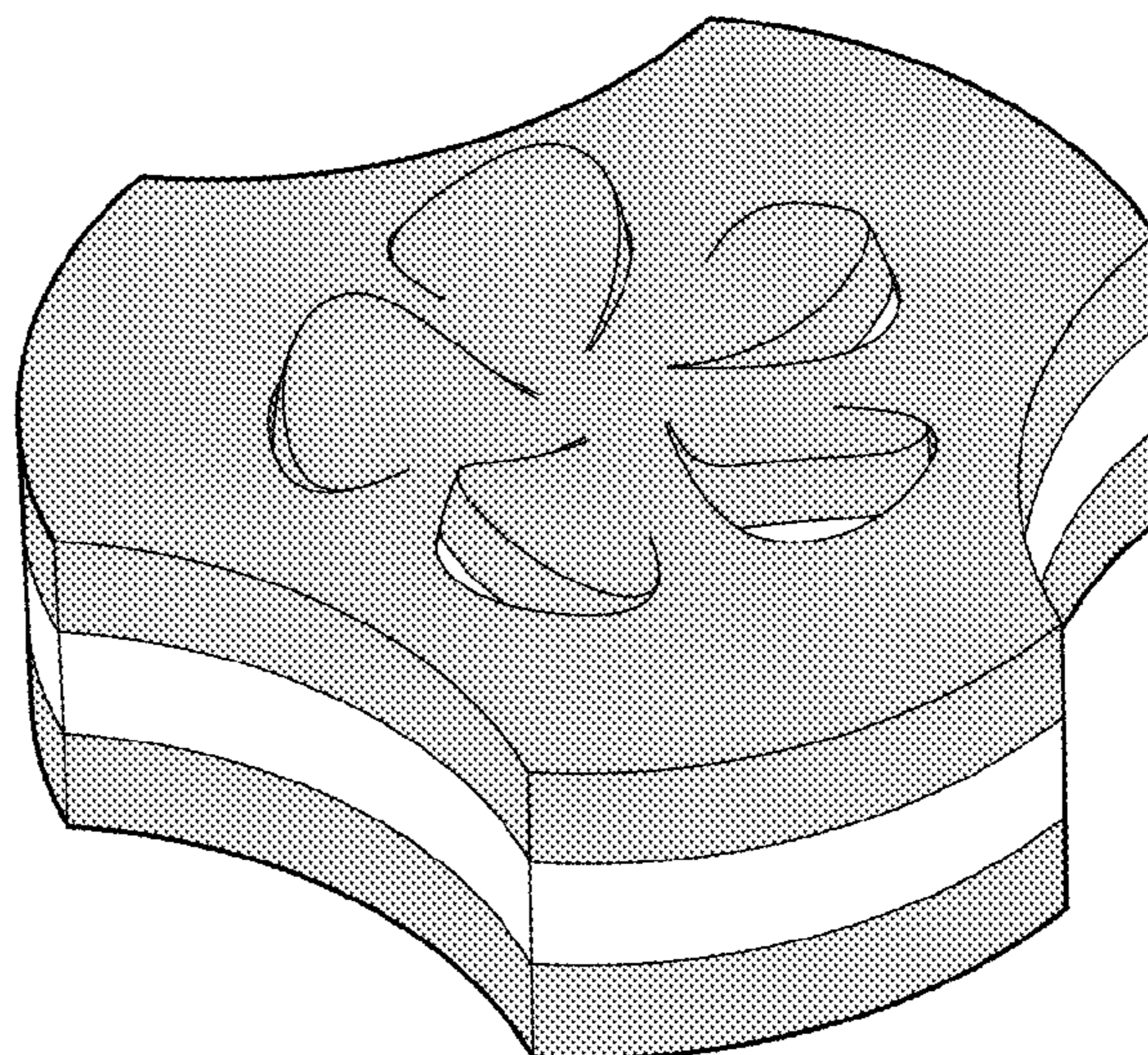
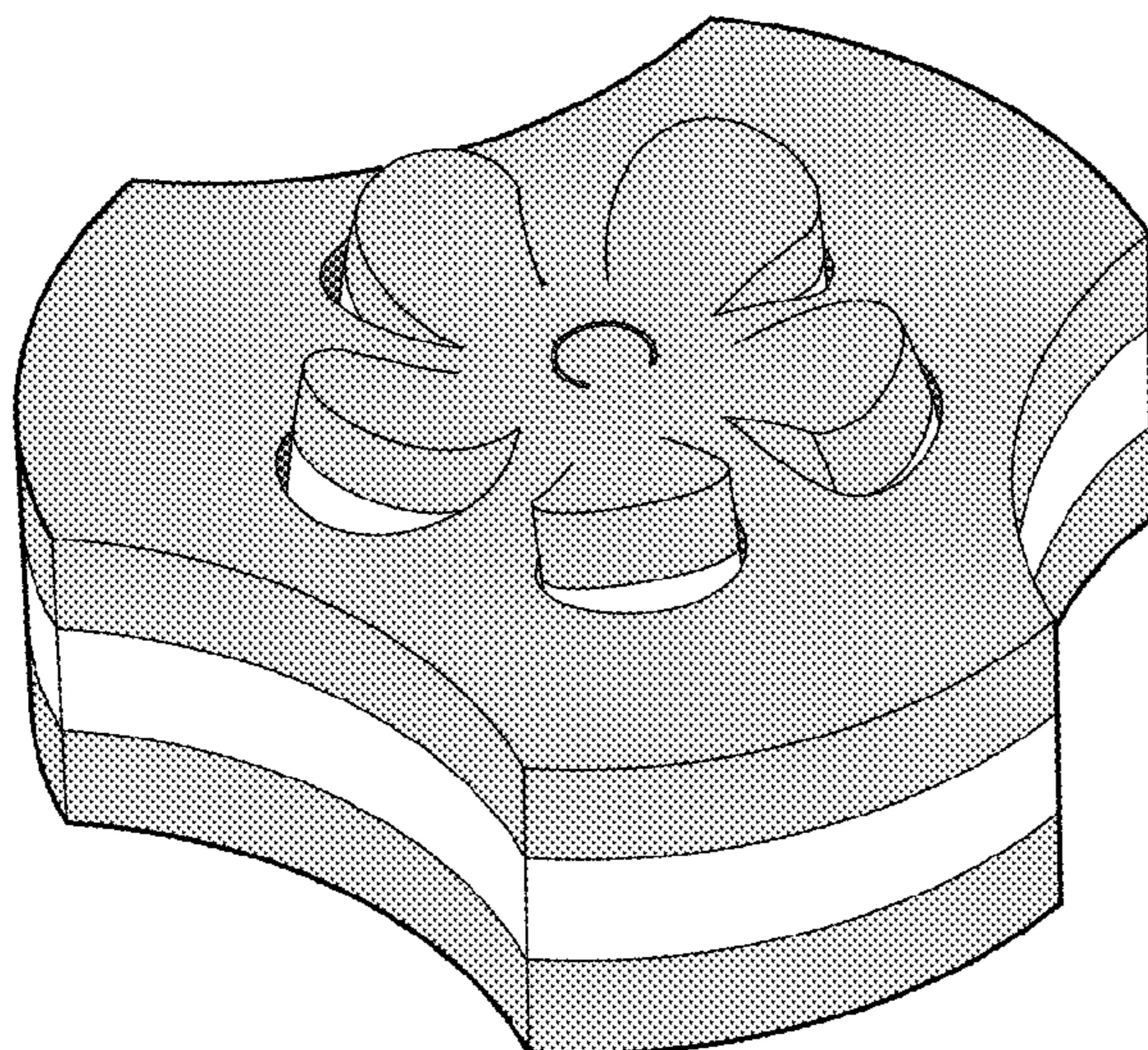
(57) **CLAIM**

The ornamental design for a single dose cleansing unit, as
shown and described.

DESCRIPTION

FIG. 1 is a perspective view of an embodiment of a single
dose cleansing unit embodying our new design;
FIG. 2 is a front view thereof;
FIG. 3 is a back view thereof;
FIG. 4 is a left view thereof;
FIG. 5 is a right view thereof;
FIG. 6 is a top view thereof;
FIG. 7 is a bottom view thereof;
FIG. 8 is a perspective view of an embodiment of a single
dose cleansing unit embodying our new design;
FIG. 9 is a front view thereof;
FIG. 10 is a back view thereof;
FIG. 11 is a left view thereof;
FIG. 12 is a right view thereof;
FIG. 13 is a top view thereof; and,
FIG. 14 is a bottom view thereof.

1 Claim, 14 Drawing Sheets



(56)

References Cited

U.S. PATENT DOCUMENTS

D610,753 S * 2/2010 Moskowitz D30/158
D646,449 S * 10/2011 Cheng D32/29.1
D656,669 S * 3/2012 Davis D28/8.1
D657,910 S * 4/2012 Davis D28/8.1
D681,270 S * 4/2013 Davis D28/8.1
D768,947 S * 10/2016 Mantelli D32/40
D769,522 S * 10/2016 Venet D28/8.1
D798,658 S * 10/2017 Masifilo D7/400
D811,674 S * 2/2018 Krause D32/40
D821,645 S * 6/2018 Nelemans D28/8.1
D822,298 S * 7/2018 Krause D32/43
D822,927 S * 7/2018 Krause D32/43
D833,698 S * 11/2018 Lyne C02F 1/001
D32/29.1
D851,744 S 6/2019 Huang
D868,953 S * 12/2019 McKendree D23/366
2006/0010634 A1 * 1/2006 Moser A47L 13/16
15/244.4
2017/0327997 A1 * 11/2017 Florence B65D 33/28

OTHER PUBLICATIONS

U.S. Appl. No. 29/626,128, filed Nov. 15, 2017, Sun-Jan Huang.
U.S. Appl. No. 29/676,330, filed Jan. 10, 2019, Weehau Tan.

* cited by examiner

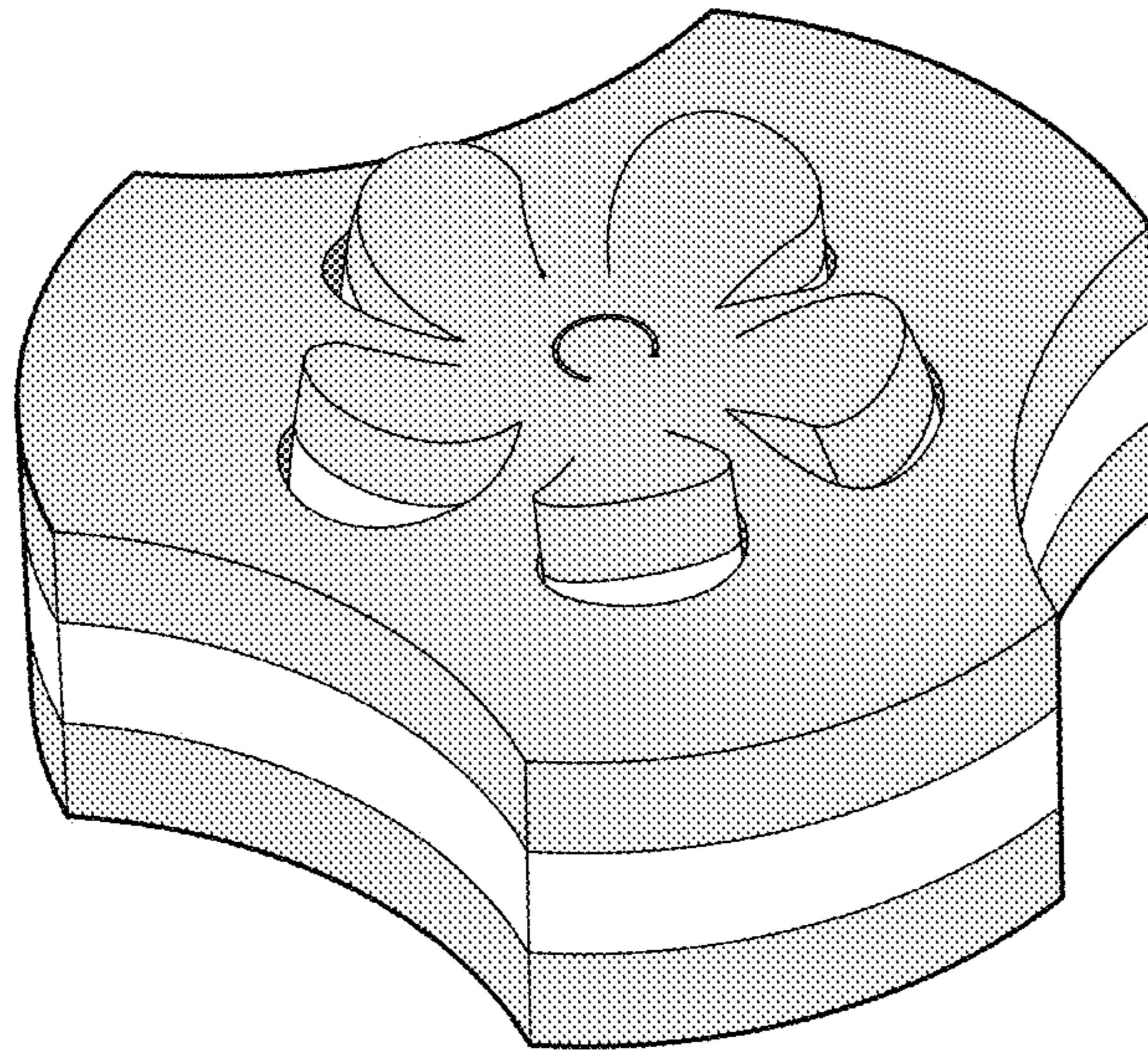


Fig. 1

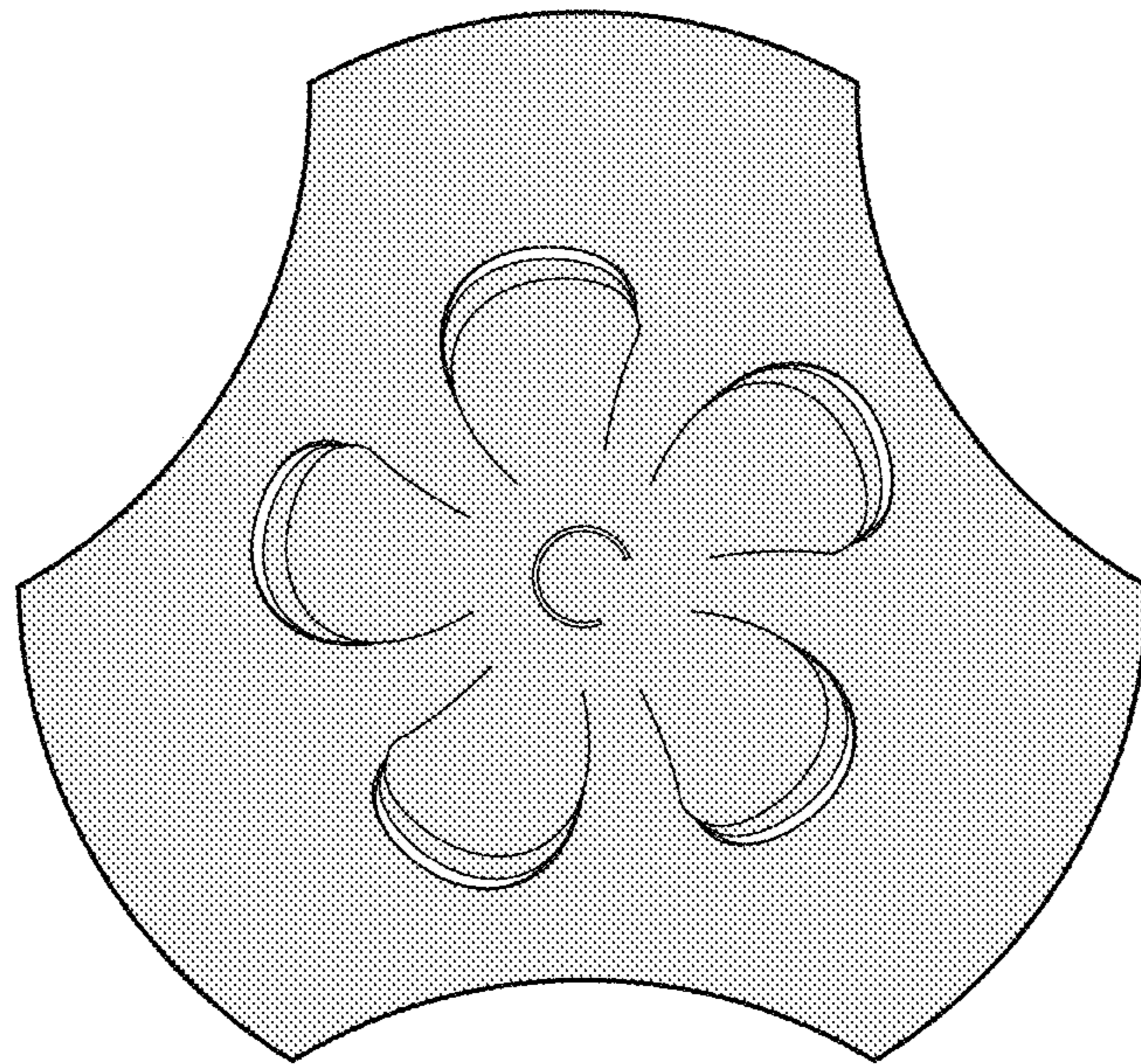


Fig. 2

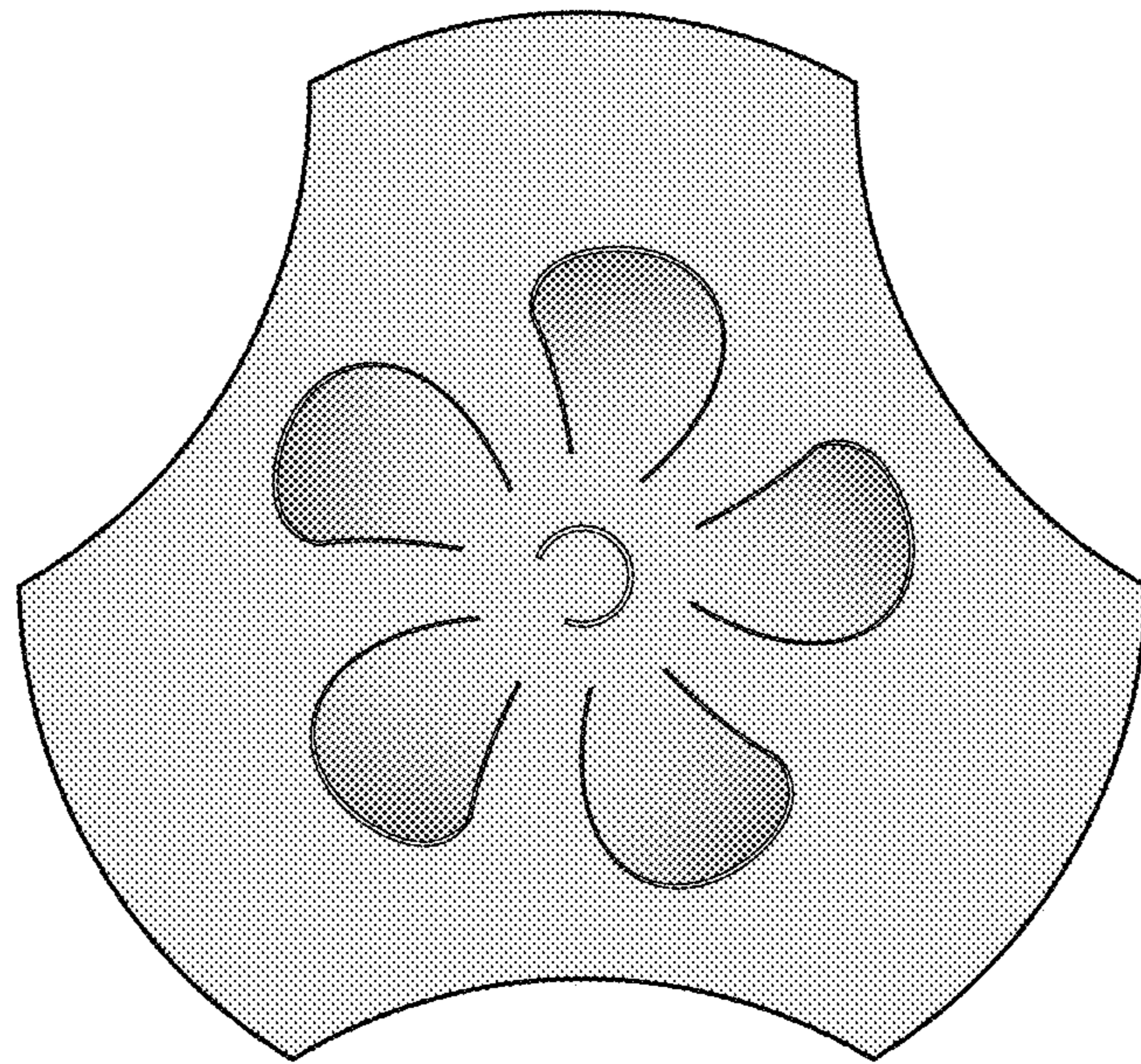


Fig. 3

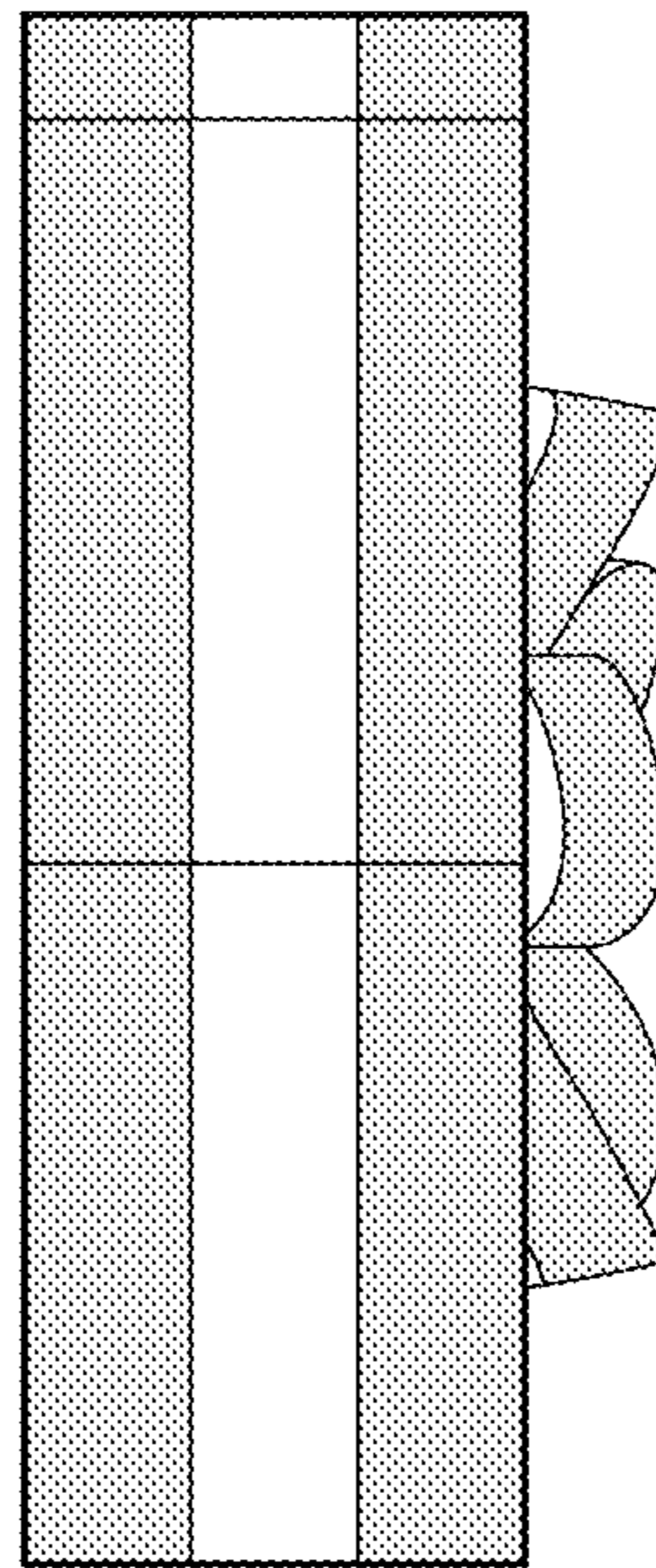


Fig. 4

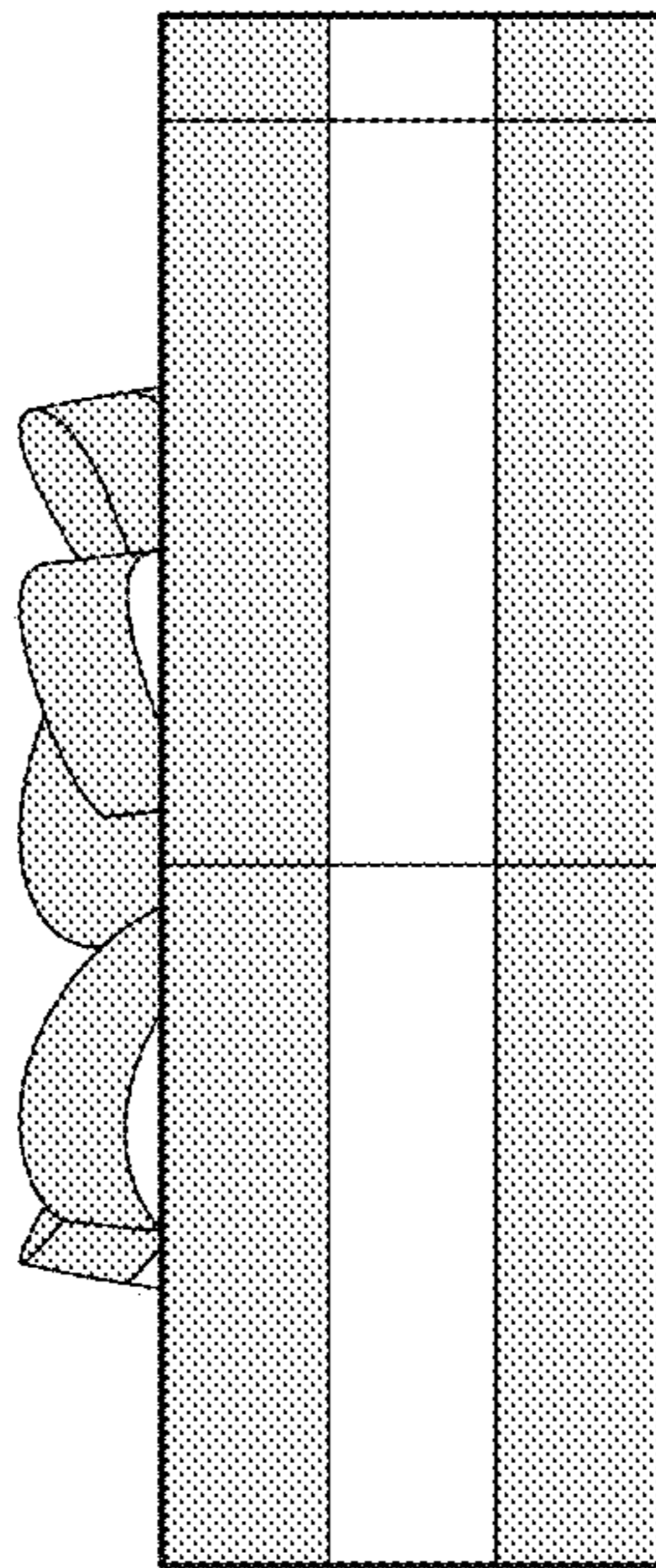


Fig. 5

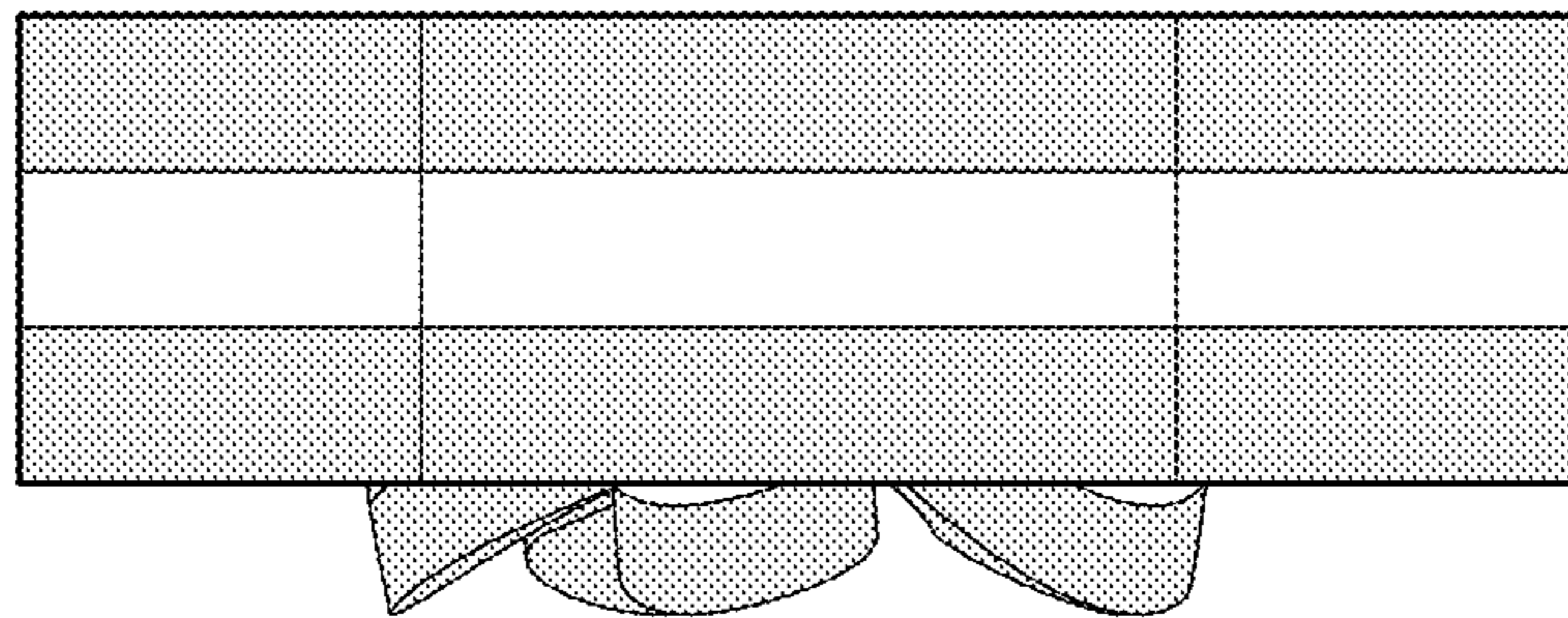


Fig. 6

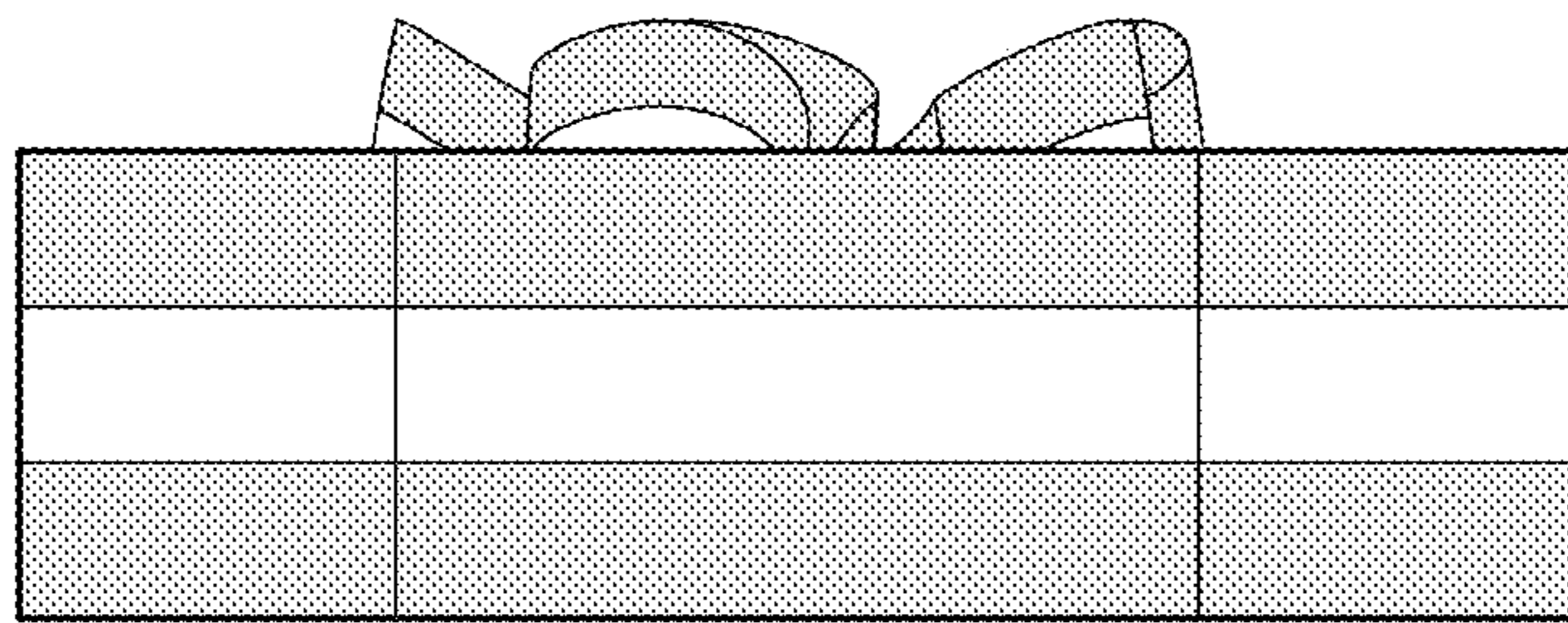


Fig. 7

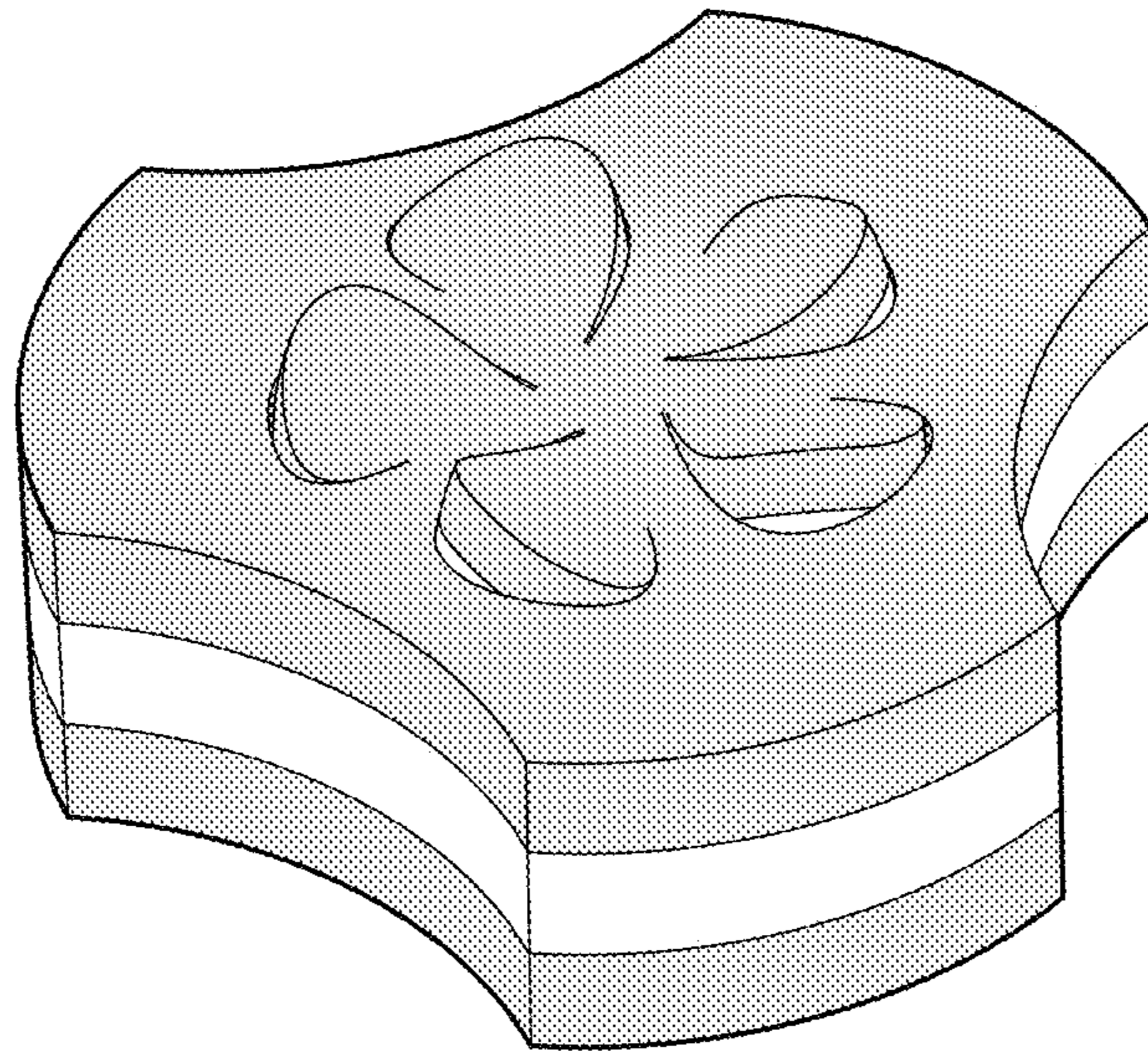


Fig. 8

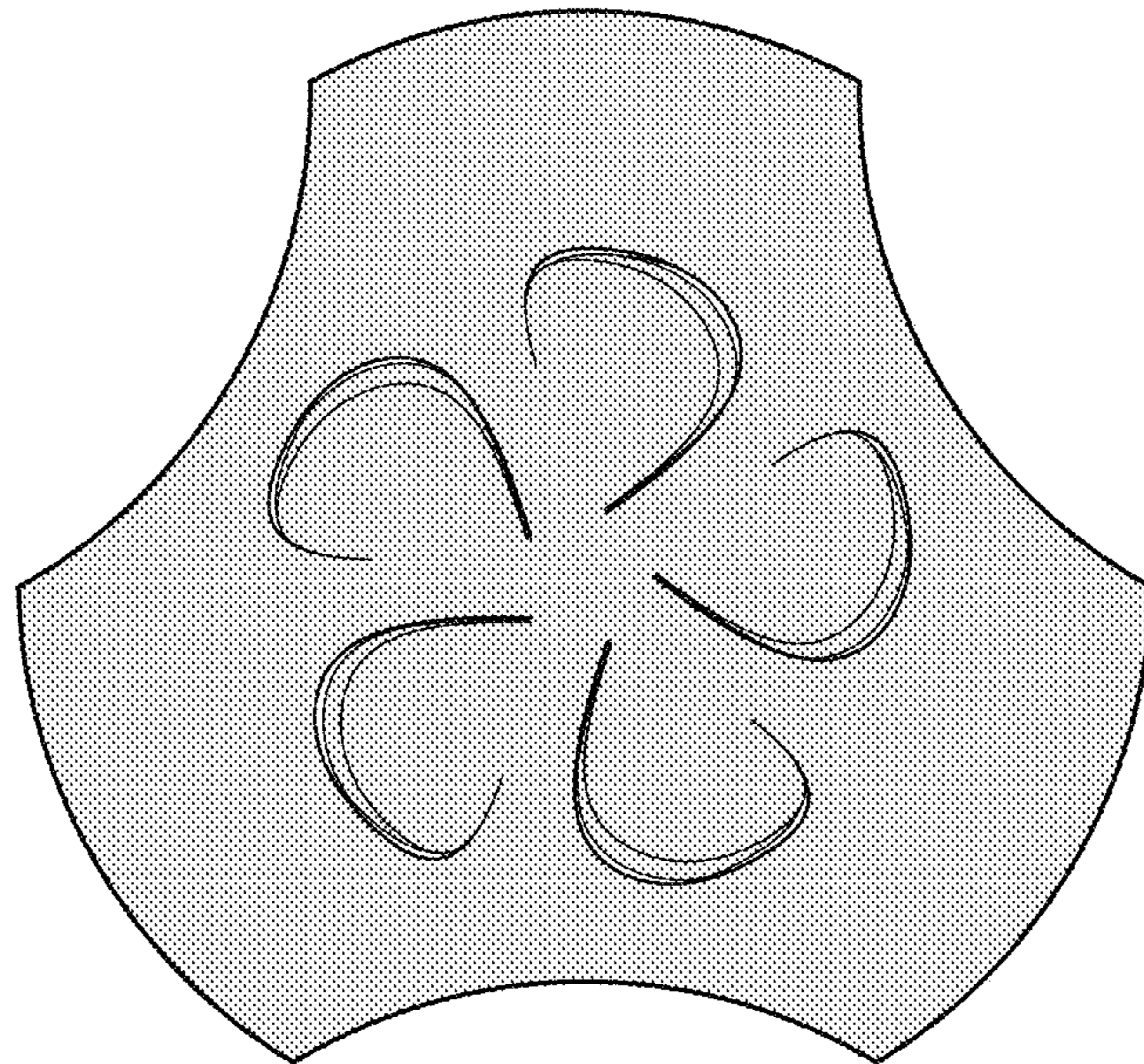


Fig. 9

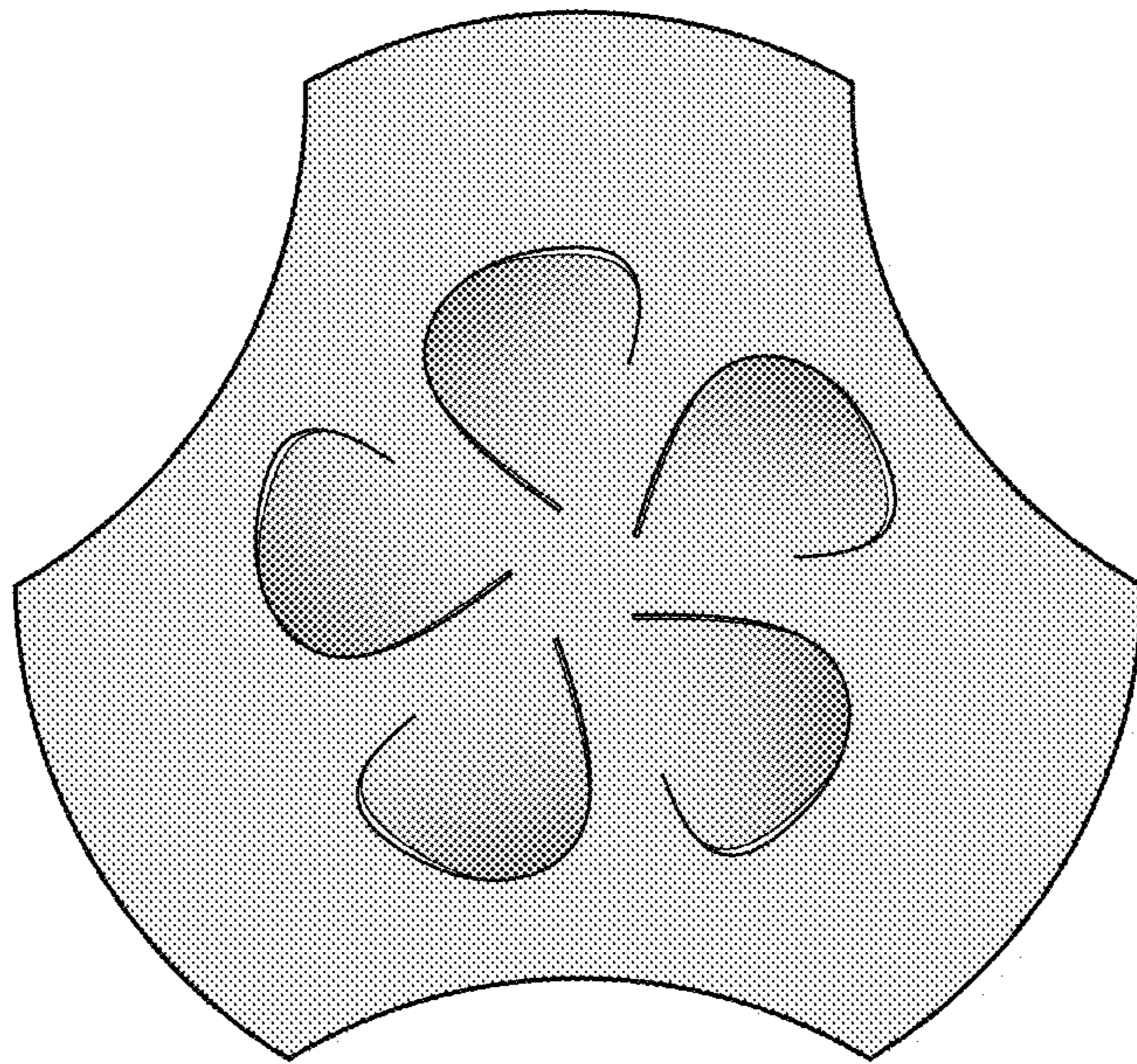


Fig. 10

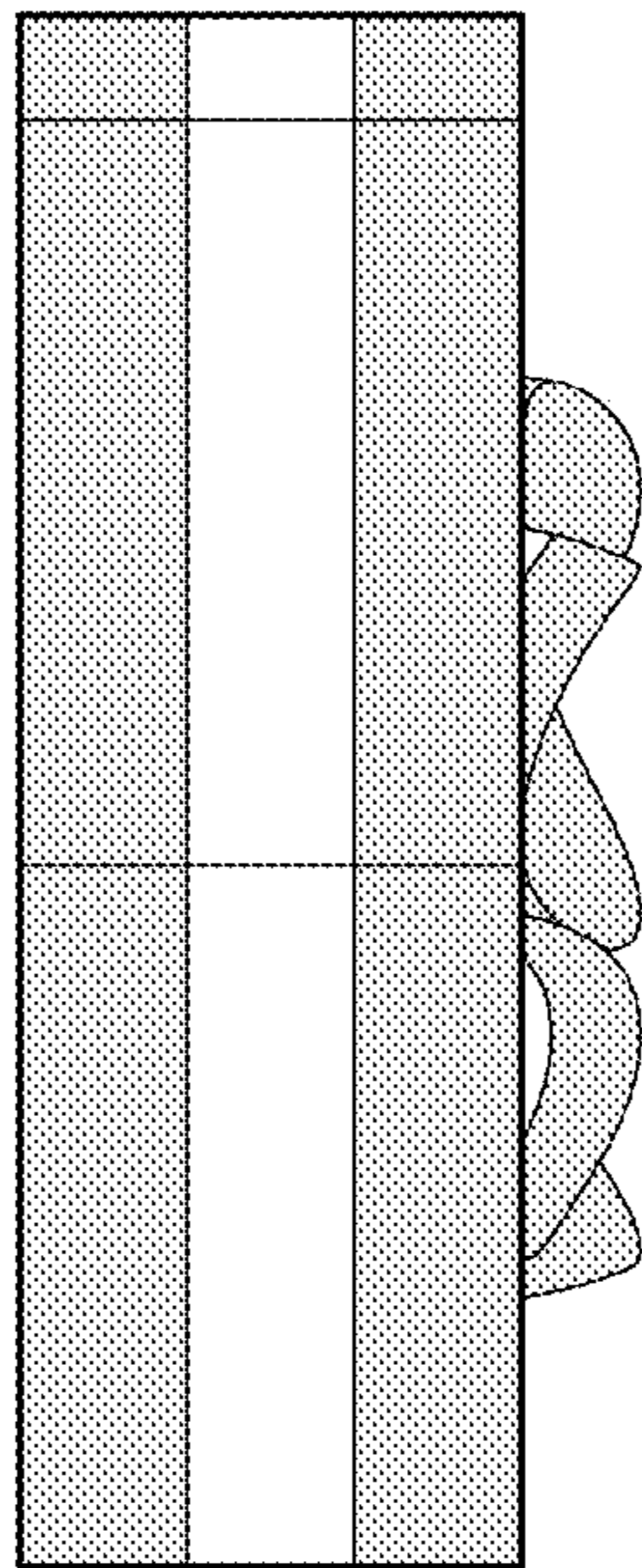


Fig. 11

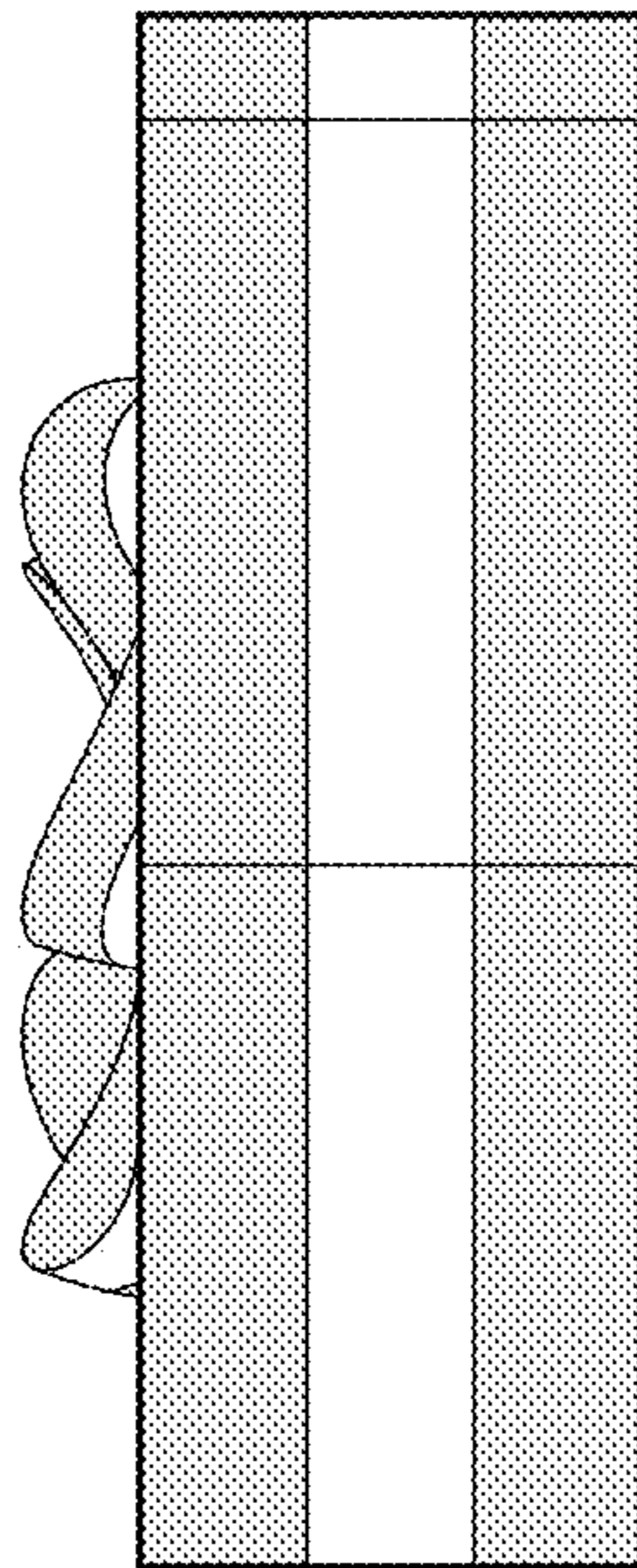


Fig. 12

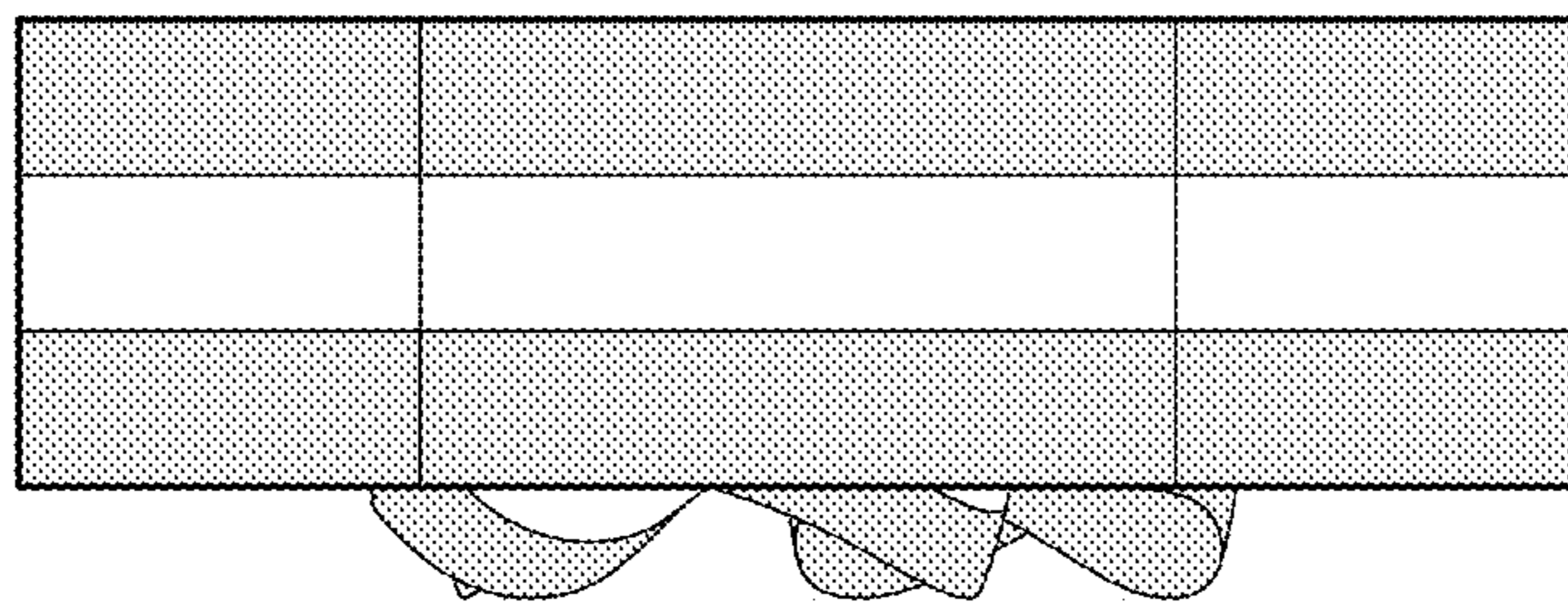


Fig. 13

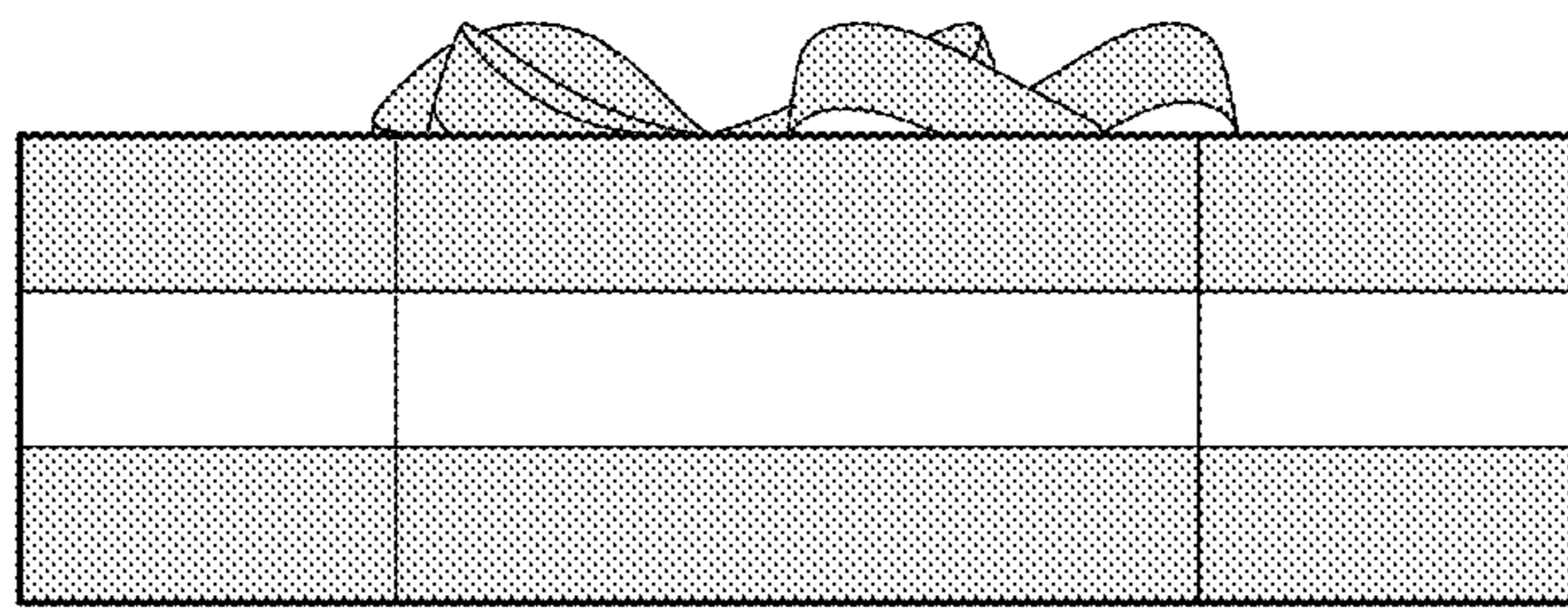


Fig. 14