



US00D905915S

(12) **United States Design Patent**
Nakano et al.

(10) **Patent No.:** **US D905,915 S**
(45) **Date of Patent:** **** Dec. 22, 2020**

(54) **ANIMAL HARNESS**

FOREIGN PATENT DOCUMENTS

(71) Applicant: **SHARP KABUSHIKI KAISHA**, Sakai (JP)

JP D1073291 3/2000
JP D1073491 3/2000

(Continued)

(72) Inventors: **Azusa Nakano**, Sakai (JP); **Hiroshi Sakaya**, Sakai (JP); **Tetsuya Hayashi**, Sakai (JP)

OTHER PUBLICATIONS

(73) Assignee: **Sharp Kabushiki Kaisha**, Sakai (JP)

“YouTube—Original Sporn Halter Instructional Video.” Found online May 18, 2020 at www.youtube.com. Video published Sep. 17, 2010. Retrieved from URL: https://www.youtube.com/watch?v=VKvF70-j_zg&feature=emb_logo (Year: 2010).*

(**) Term: **15 Years**

(Continued)

(21) Appl. No.: **29/663,231**

Primary Examiner — Mary Ann Calabrese

(22) Filed: **Sep. 13, 2018**

Assistant Examiner — Katelin G Kloberg

(30) **Foreign Application Priority Data**

(74) *Attorney, Agent, or Firm* — Nixon & Vanderhye P.C.

Mar. 15, 2018 (JP) 2018-005414

(57) **CLAIM**

(51) **LOC (12) Cl.** **30-04**

The ornamental design for an animal harness, as shown and described.

(52) **U.S. Cl.**

USPC **D30/152**

DESCRIPTION

(58) **Field of Classification Search**

USPC D30/144–146, 151–154, 199

CPC A01K 27/002; A45F 3/047

See application file for complete search history.

FIG. 1 is a front elevation view of an animal harness showing our new design in a closed configuration;

FIG. 2 is a rear elevation view of the animal harness of FIG. 1;

FIG. 3 is a top plan view of the animal harness of FIG. 1;

FIG. 4 is a bottom plan view of the animal harness of FIG. 1;

FIG. 5 is a right side elevation view of the animal harness of FIG. 1;

FIG. 6 is a left side elevation view of the animal harness of FIG. 1;

FIG. 7 is a top plan view, showing the animal harness of FIG. 1 in an opened configuration; and,

FIG. 8 is a bottom plan view thereof.

In FIG. 1-FIG. 8 the broken lines depict portions of the article that form no part of the claimed design.

(56) **References Cited**

U.S. PATENT DOCUMENTS

6,450,130 B1 * 9/2002 Goldberg A01K 1/0263

119/771

6,595,156 B1 * 7/2003 Curran A01K 25/00

119/792

D585,606 S * 1/2009 Kennedy D30/144

D591,011 S * 4/2009 Madere D30/144

7,757,641 B1 * 7/2010 Worden A01K 27/002

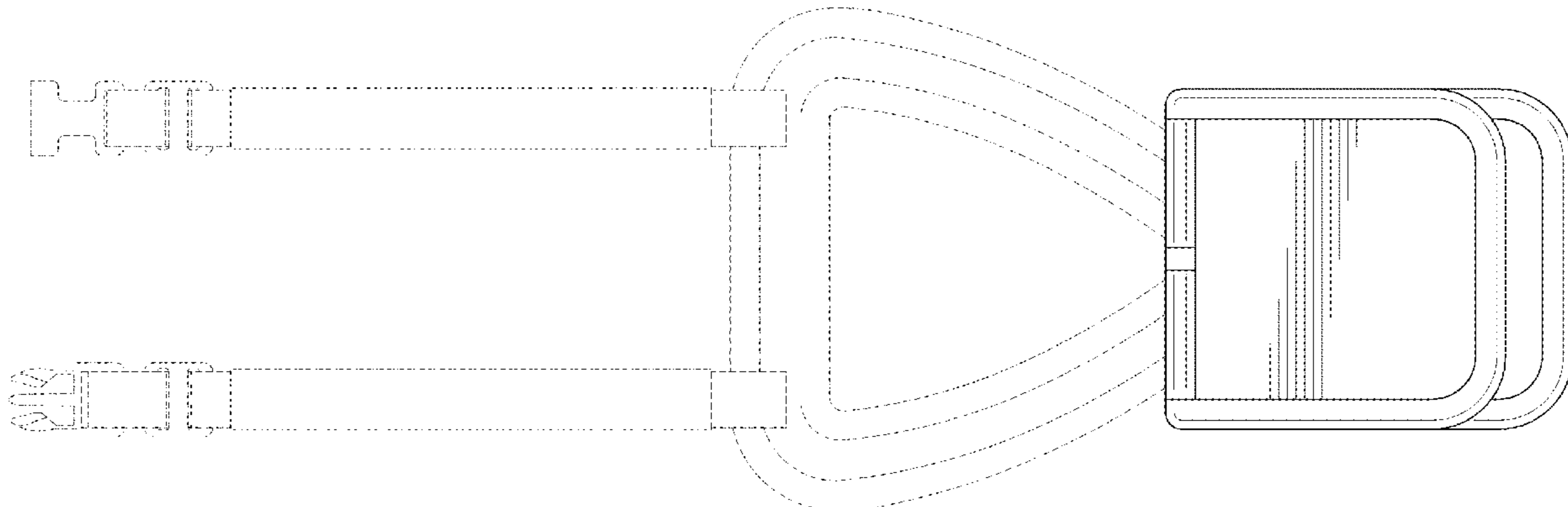
119/792

D632,850 S * 2/2011 Light D30/152

D652,581 S * 1/2012 Evans D30/152

(Continued)

1 Claim, 6 Drawing Sheets



(56)

References Cited

U.S. PATENT DOCUMENTS

D653,411 S * 1/2012 Elliott D30/144
 D681,287 S * 4/2013 Collignon D30/144
 9,038,574 B1 * 5/2015 Brewton A01K 27/006
 119/858
 D753,350 S * 4/2016 Thitz D30/144
 9,332,734 B1 * 5/2016 Hege A01K 13/006
 D833,089 S * 11/2018 Stanek D30/152
 D833,688 S * 11/2018 Stouder D30/152
 D850,022 S * 5/2019 Stouder D30/152
 2006/0037562 A1 * 2/2006 Woerner A01K 27/002
 119/856
 2007/0187442 A1 * 8/2007 Martin A01K 7/00
 224/148.2
 2012/0060768 A1 * 3/2012 Sandler A01K 27/002
 119/793
 2014/0060453 A1 * 3/2014 Shewfelt A01K 27/002
 119/770
 2019/0183092 A1 * 6/2019 Couse A01K 11/006
 2019/0200575 A1 * 7/2019 van Dongen A01K 27/002

FOREIGN PATENT DOCUMENTS

JP D1139758 3/2002
 JP D1139759 3/2002
 JP D1139760 3/2002
 JP D1139761 3/2002
 JP D1139781 3/2002

JP D115700 9/2002
 JP D1219238 8/2004
 JP D1295270 2/2007
 JP D1322095 1/2008
 JP D1412956 4/2011
 JP D1421094 7/2011
 JP D1450252 8/2012
 JP D1568187 12/2016
 JP D1615595 9/2018
 JP D1622068 12/2018

OTHER PUBLICATIONS

“Adjustable Paracord Dog Harness.” Found online May 18, 2020 at [www.etsy.com](https://www.etsy.com/listing/508818480/adjustable-paracord-dog-harness-custom). Product reviewed Oct. 18, 2018. Retrieved from URL: <https://www.etsy.com/listing/508818480/adjustable-paracord-dog-harness-custom> (Year: 2018).*

“Black Sherpa Chest and Girth Strap Cover.” Found online May 19, 2020 at www.activedogs.com. Product reviewed May 21, 2019. Retrieved from URL: <https://www.activedogs.com/product/2251/sherpa-strap-cover-black/> (Year: 2019).*

“The Company of Animals HALTI No-Pull Harness.” Found online May 19, 2020 at www.amazon.com. Product reviewed Apr. 27, 2019. Retrieved from URL: <https://www.amazon.com/Company-Animals-Harness-Pulling-Harnesses/dp/B07NSMFPMX?th=1> (Year: 2019).*

Design U.S. Appl. No. 29/663,232, filed Sep. 13, 2018, entitled “Animal Harness”.

* cited by examiner

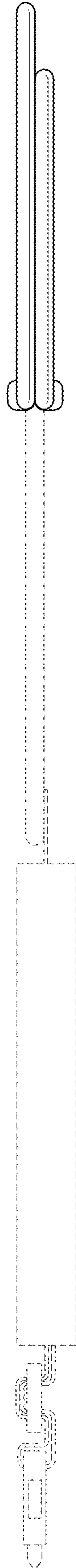


Fig. 1

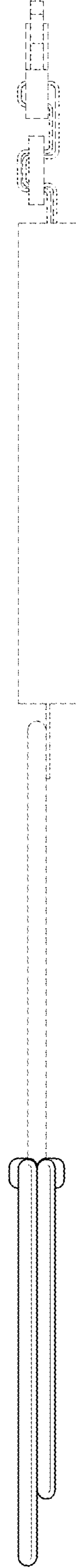


Fig. 2

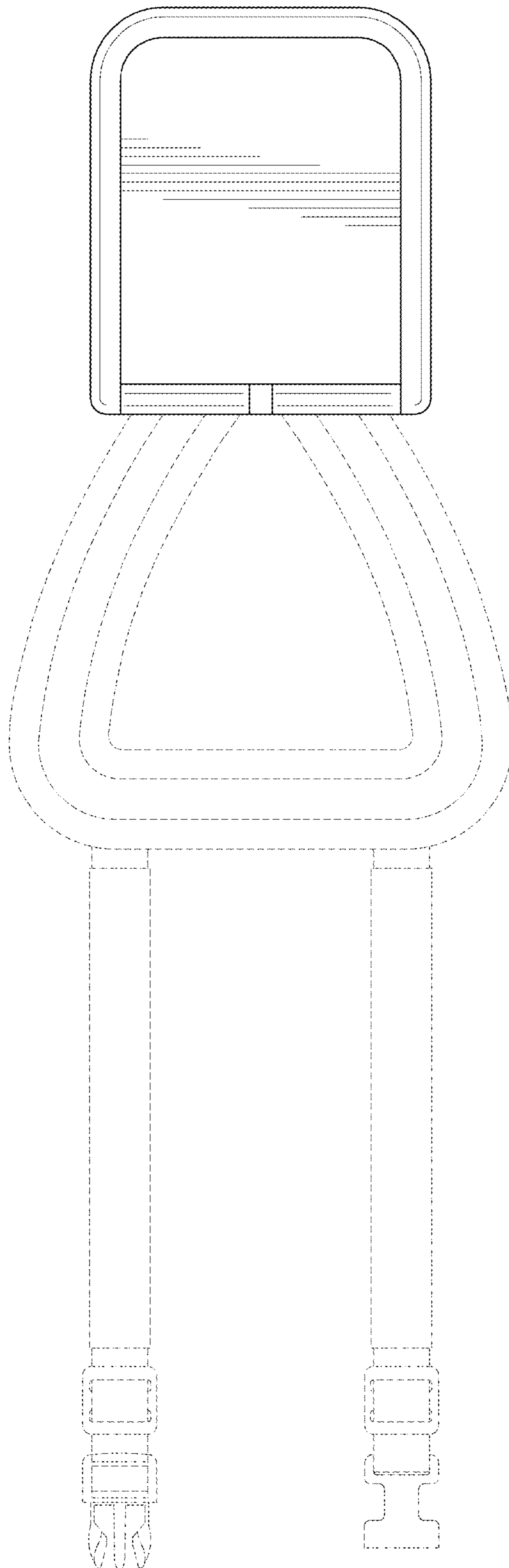


Fig. 3

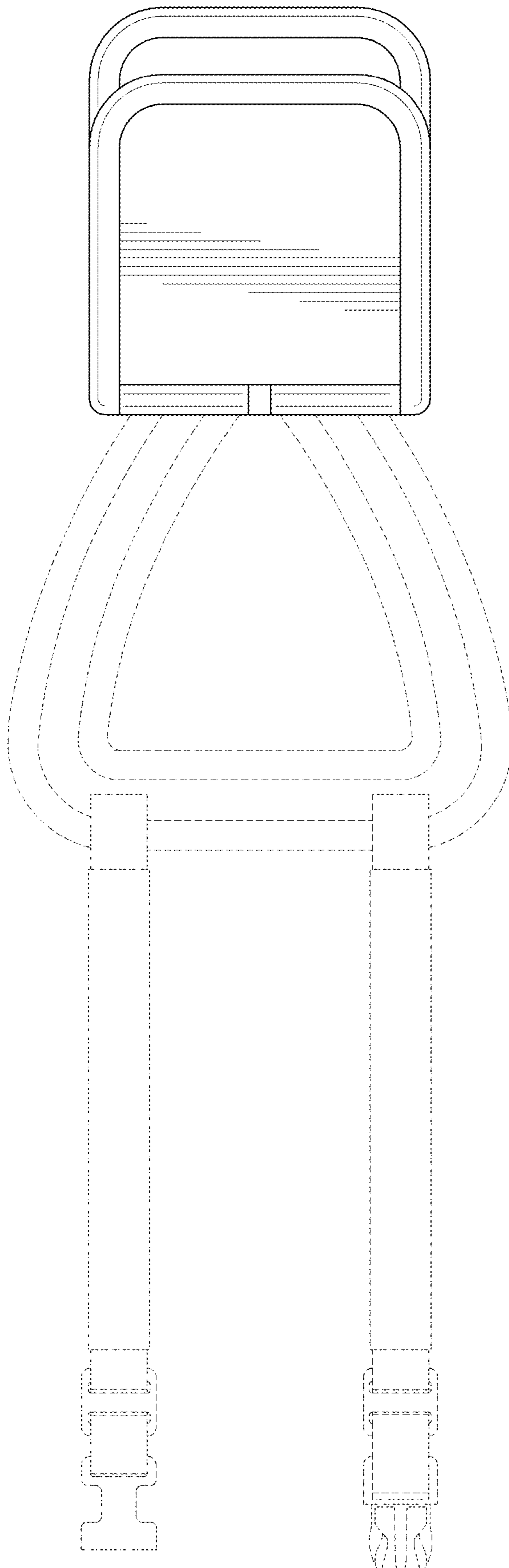


Fig. 4

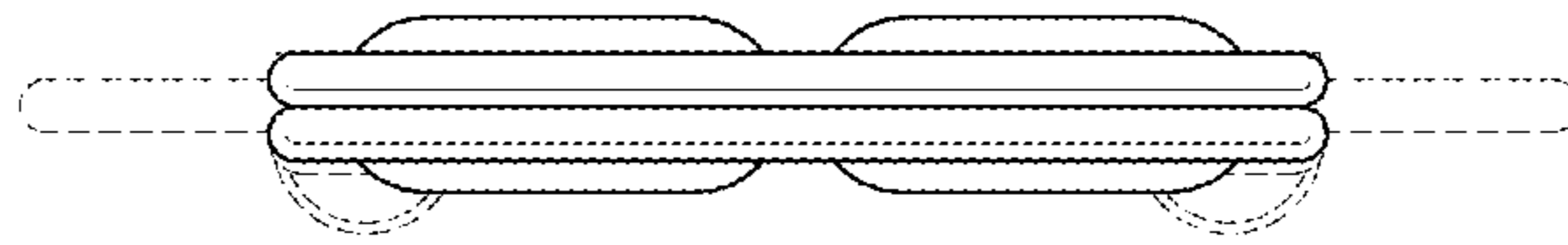


Fig. 5

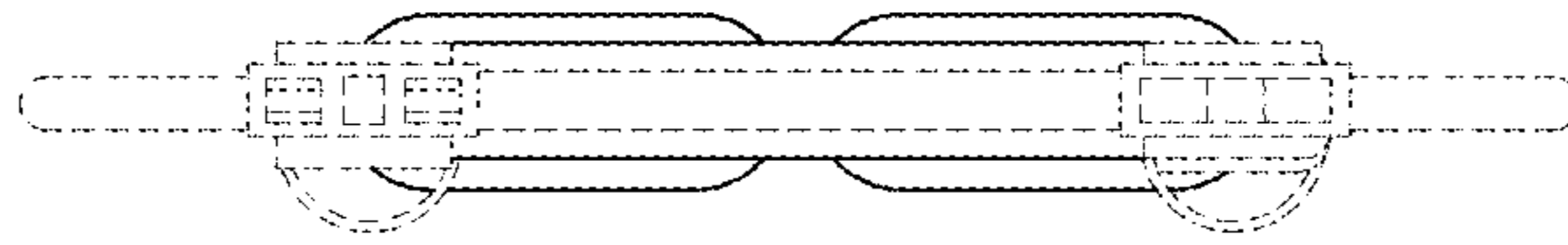


Fig. 6

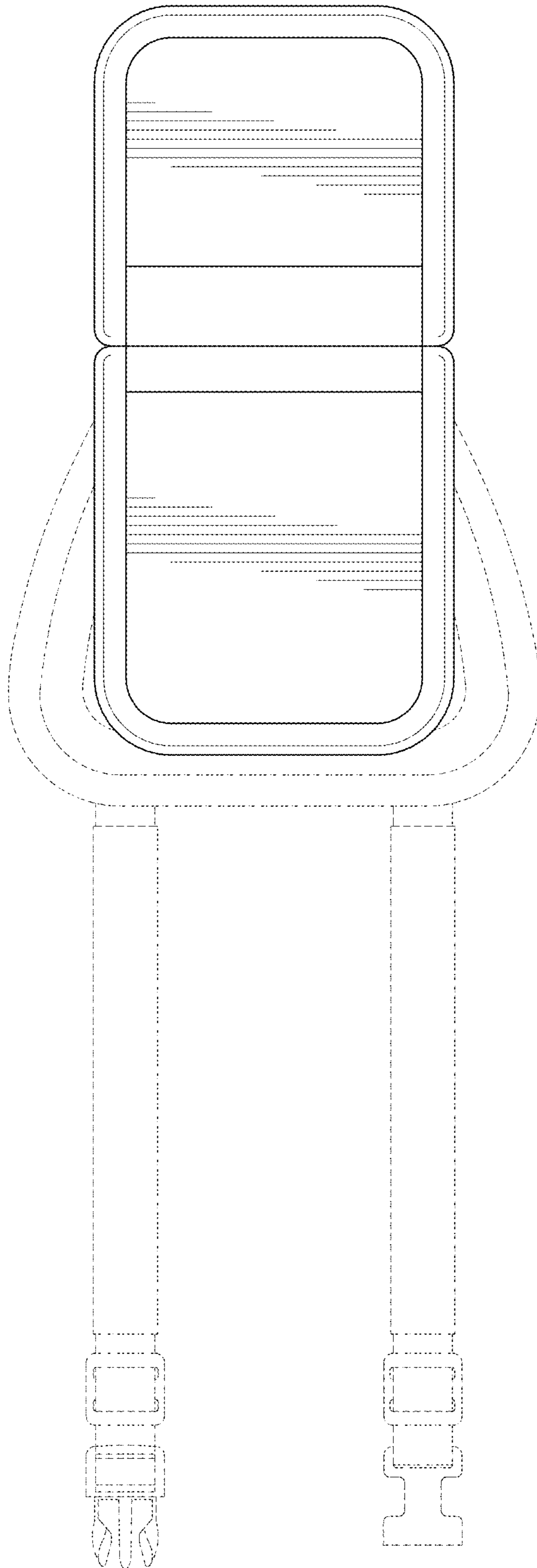


Fig. 7

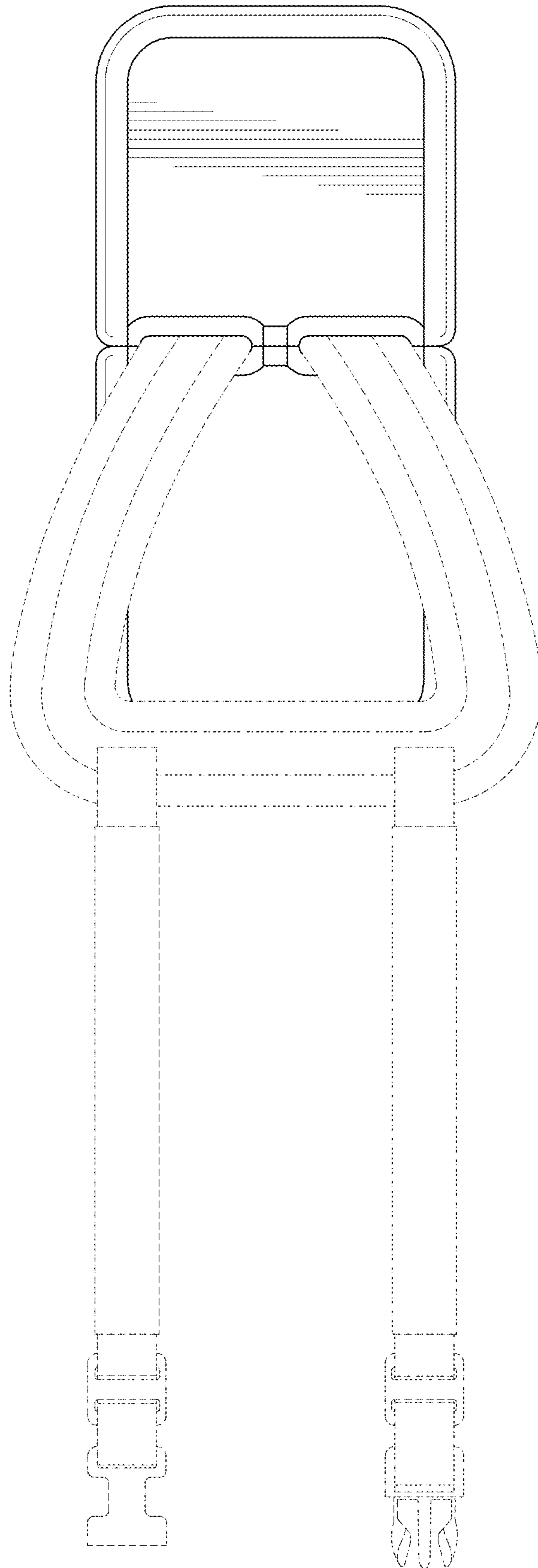


Fig. 8