



US00D905913S

(12) **United States Design Patent**  
**Ruggles**

(10) **Patent No.:** **US D905,913 S**

(45) **Date of Patent:** **\*\* Dec. 22, 2020**

(54) **PET FOUNTAIN BASIN**

(71) Applicant: **Ryan Rameses Ruggles**, Scottsdale, AZ  
(US)

(72) Inventor: **Ryan Rameses Ruggles**, Scottsdale, AZ  
(US)

(\*\*) Term: **15 Years**

(21) Appl. No.: **29/705,367**

(22) Filed: **Sep. 11, 2019**

(51) **LOC (12) Cl.** ..... **30-03**

(52) **U.S. Cl.**  
USPC ..... **D30/132**

(58) **Field of Classification Search**  
USPC ..... D30/121, 122, 129, 130, 132, 133, 199;  
119/51.01, 51.02, 51.11, 51.5, 57.92,  
119/61.5, 61.52, 61.54, 61.55, 61.56, 72,  
119/74, 75, 78, 79, 80, 81; D23/293.1  
CPC .. A01K 5/0114; A01K 5/0121; A01K 5/0135;  
A01K 7/005; A01K 39/02; A01K 39/04;  
A01K 39/0213; A01K 5/00  
See application file for complete search history.

(56) **References Cited**

**U.S. PATENT DOCUMENTS**

D487,501 S \* 3/2004 Ruxchaivan ..... D23/293.1  
D517,178 S \* 3/2006 Bickford ..... D23/293.1  
D521,129 S \* 5/2006 Bickford ..... D23/293.1

D521,130 S \* 5/2006 Mayer ..... D23/293.1  
D709,655 S \* 7/2014 Lipscomb ..... A01K 7/00  
D30/132  
D723,142 S \* 2/2015 Casey ..... D23/293.1

\* cited by examiner

*Primary Examiner* — Michael C Stout  
*Assistant Examiner* — Katrina N Gonzalez

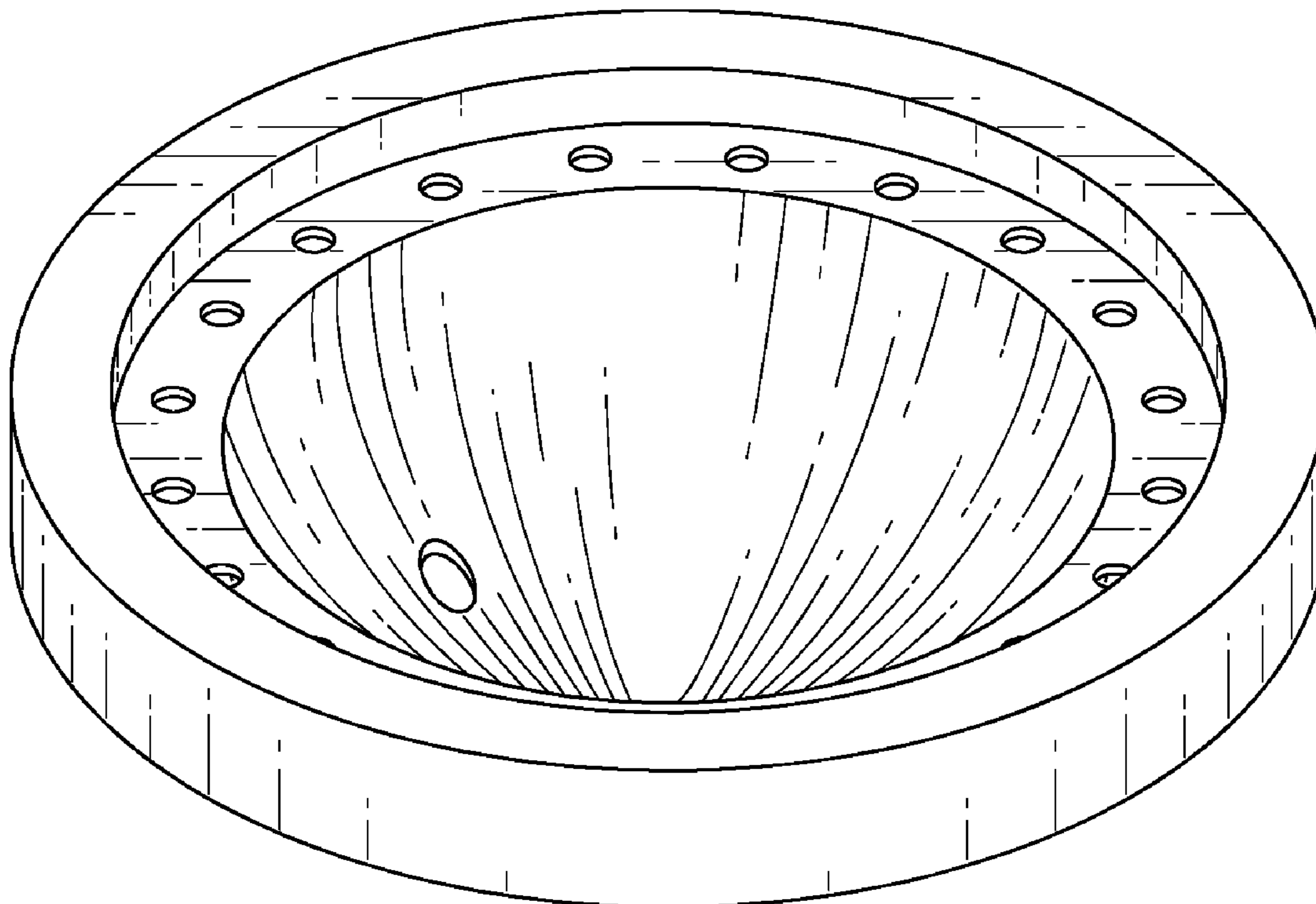
(57) **CLAIM**

The ornamental design for a pet fountain basin, as shown and described.

**DESCRIPTION**

FIG. 1 is a top-front-right perspective view of a pet fountain basin showing my new design;  
FIG. 2 is a bottom-rear-left perspective view thereof;  
FIG. 3 is a front elevation view thereof, the rear elevation view being a mirror image thereof;  
FIG. 4 is a top plan view thereof;  
FIG. 5 is a bottom plan view thereof;  
FIG. 6 is a right-side elevation view thereof, the left-side elevation view being a mirror image thereof; and  
FIG. 7 is a top-front perspective view thereof, but shown in an environmental view with a reservoir and water pump nozzles; and,  
FIG. 8 is a front elevational view of FIG. 7 thereof, but shown with the reservoir removed to show interior hoses and a water pump.  
The broken lines showing of the water pump nozzles and the reservoir at the bottom in FIG. 7, and the hoses and the water pump in FIG. 8 are included for the purpose of showing environmental structure and form no part of the claimed design.

**1 Claim, 8 Drawing Sheets**



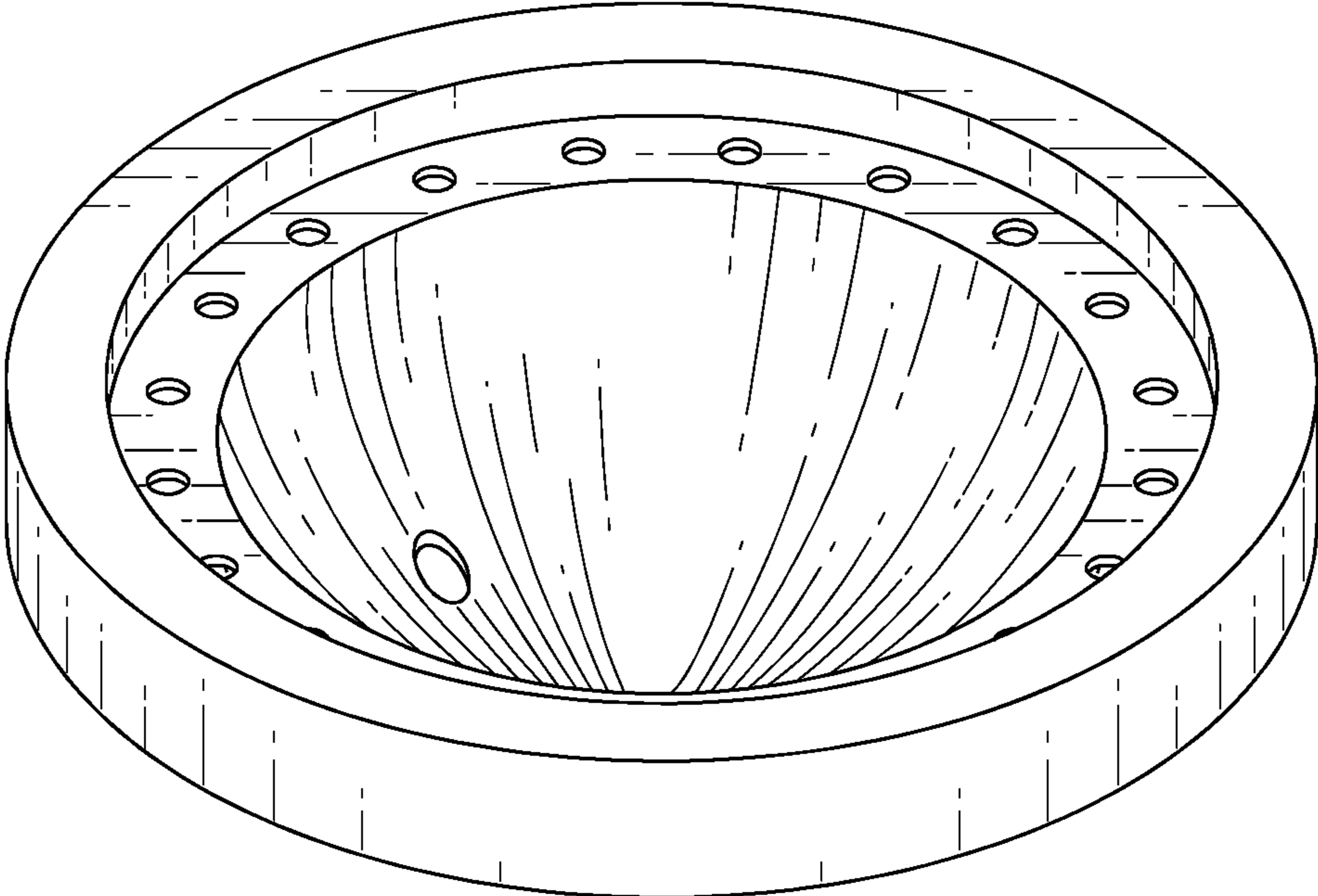


FIG. 1

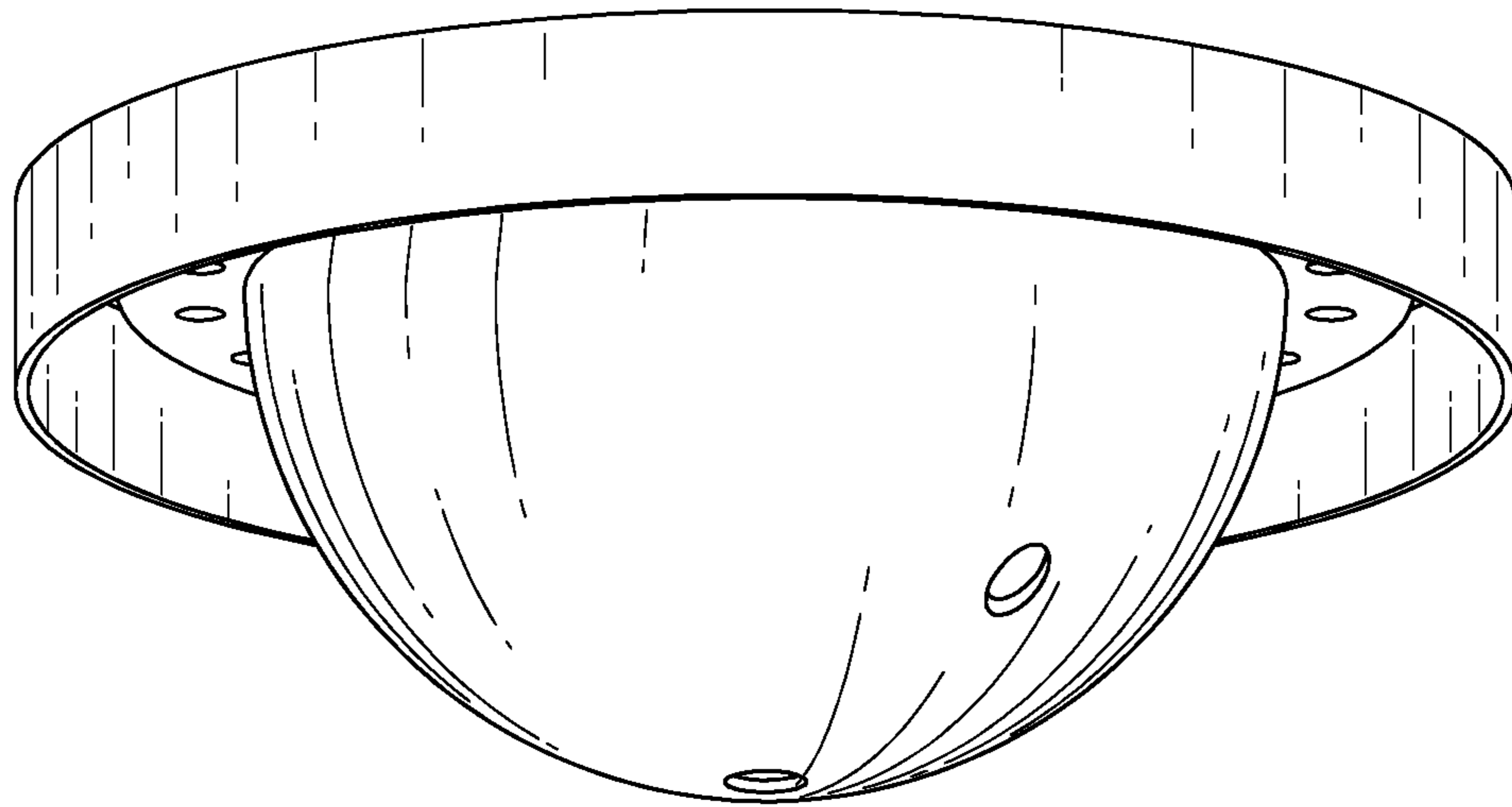


FIG. 2

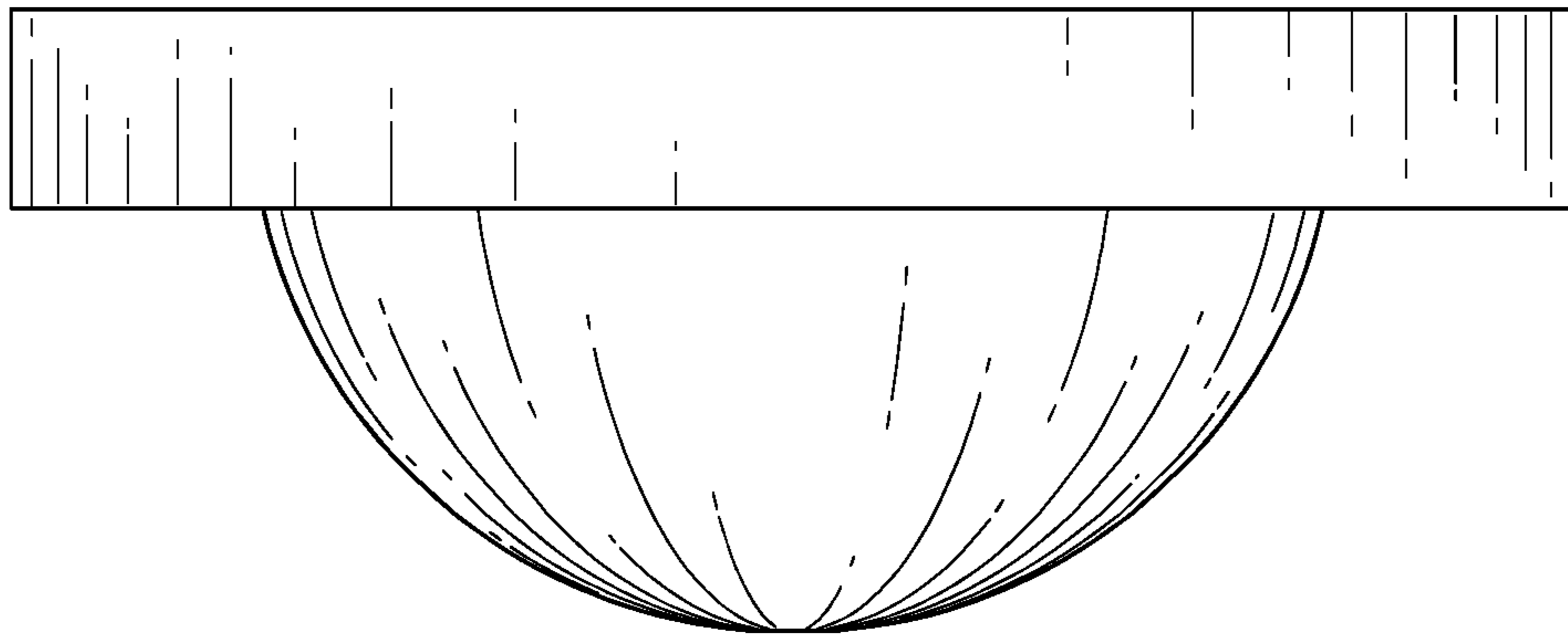


FIG. 3

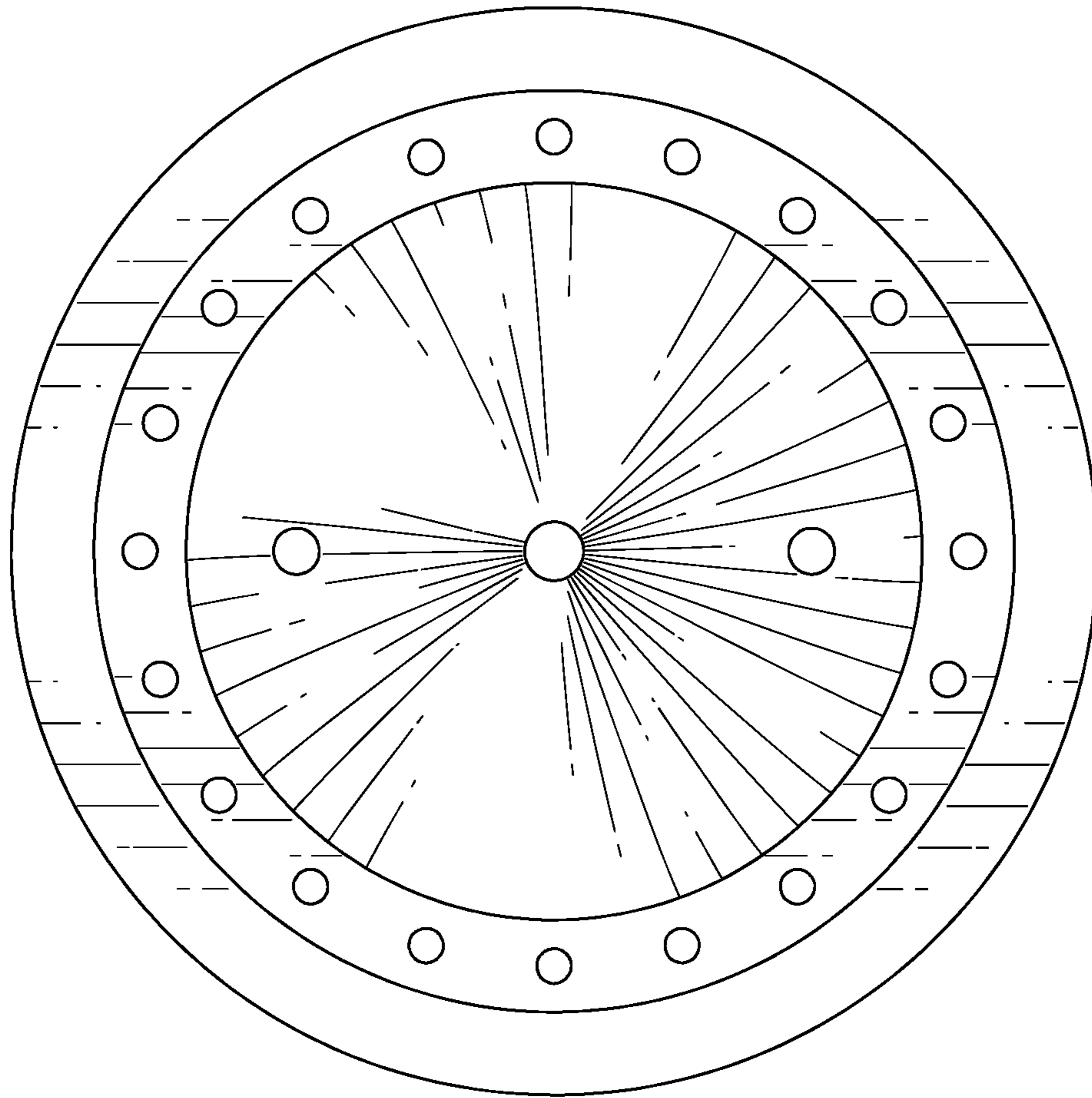


FIG. 4

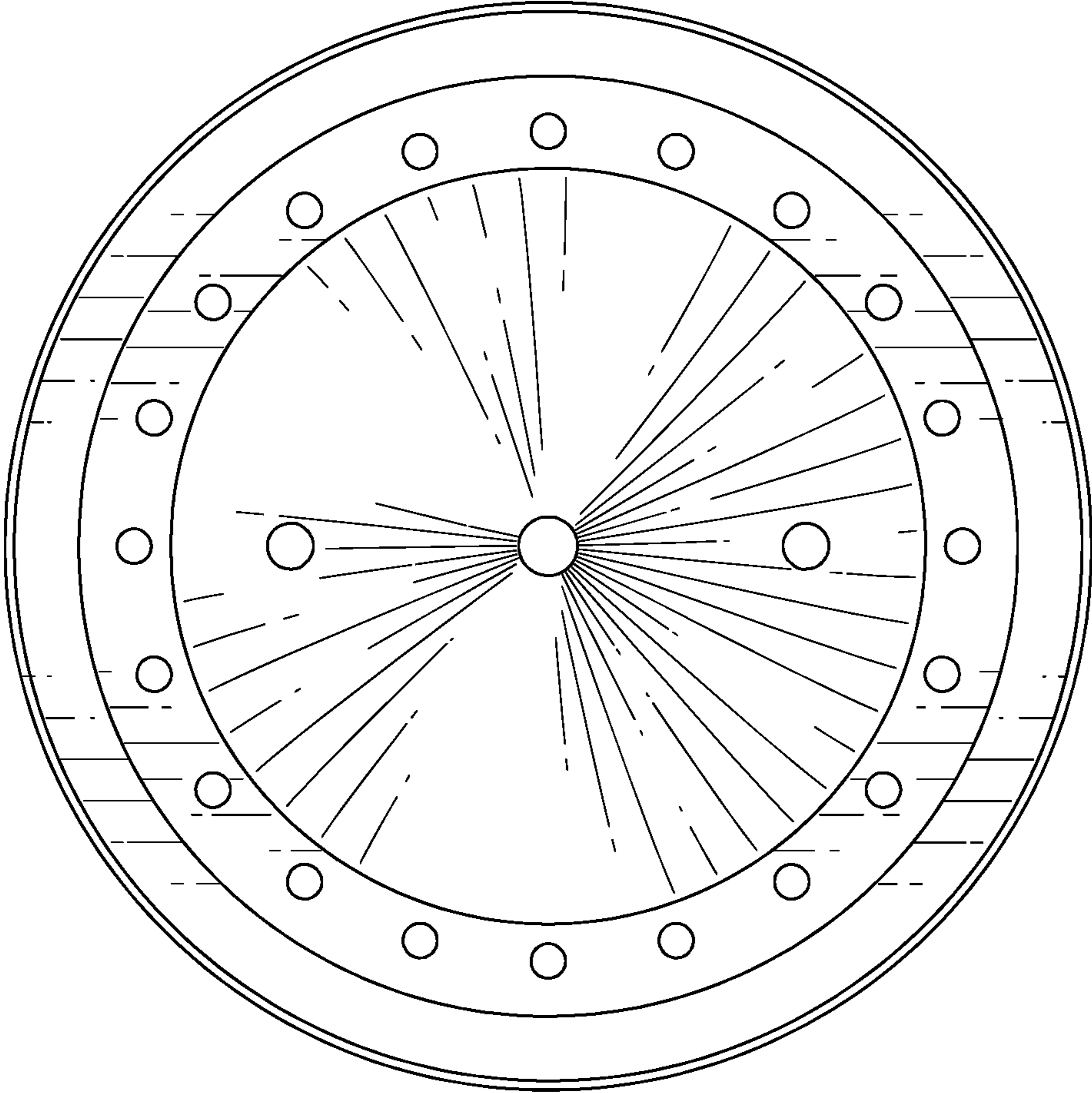


FIG. 5

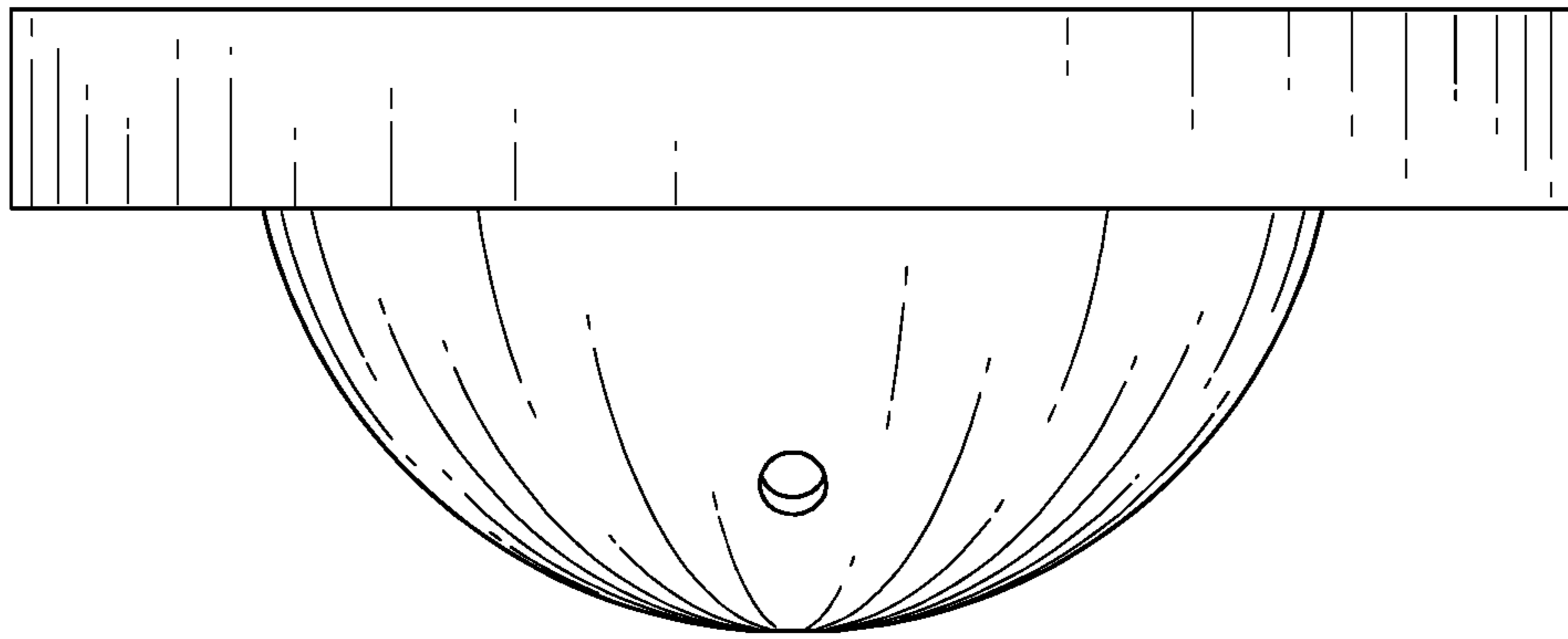


FIG. 6

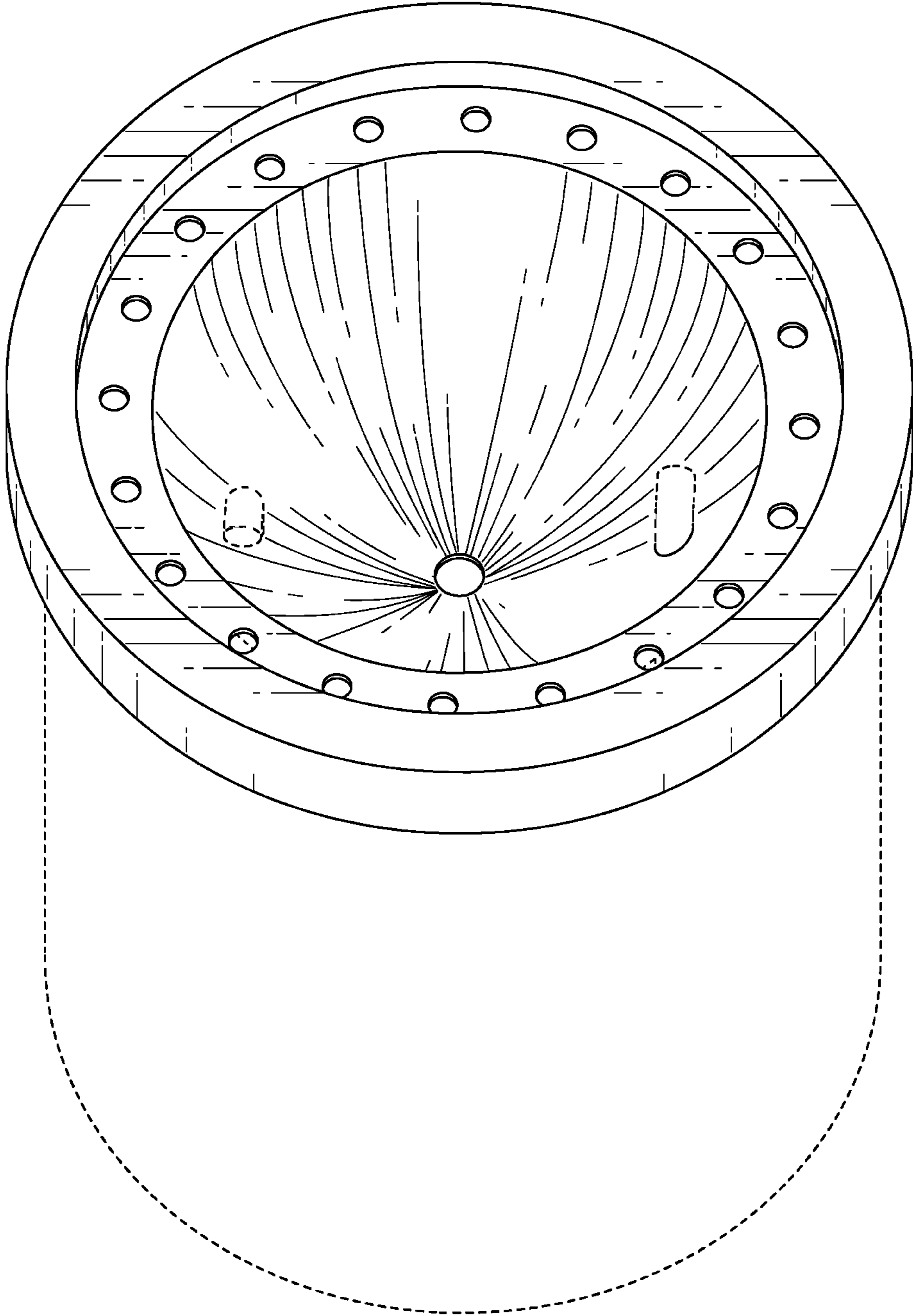


FIG. 7



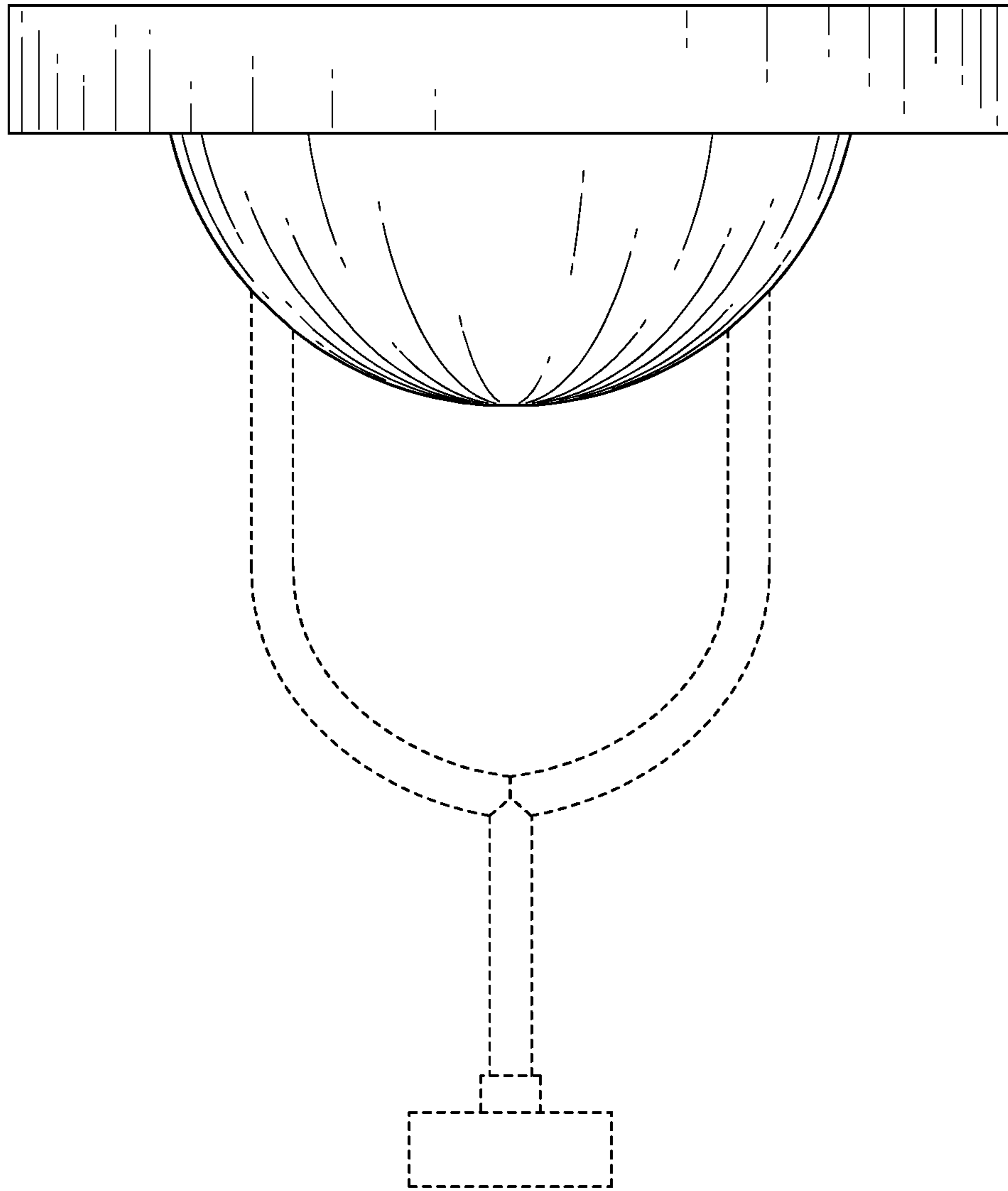


FIG. 8