



US00D905908S

(12) **United States Design Patent** (10) **Patent No.:** **US D905,908 S**  
**Washington et al.** (45) **Date of Patent:** **\*\* Dec. 22, 2020**

(54) **RAZOR CARTRIDGE** D661,425 S 6/2012 Cataudella et al.  
 D661,426 S 6/2012 Cataudella et al.  
 (71) Applicant: **The Gillette Company LLC**, Boston, MA (US) D665,948 S \* 8/2012 Jessemey ..... D28/47  
 8,359,752 B2 \* 1/2013 Bridges ..... B26B 21/222  
 30/50  
 (72) Inventors: **Jack Anthony Washington**, Mendon, MA (US); **Matthew Michael Long**, Methuen, MA (US) D741,009 S 10/2015 Bruno et al.  
 9,221,185 B2 \* 12/2015 Walker, Jr. .... B26B 21/4012  
 D748,856 S 2/2016 Mahony et al.  
 D839,477 S \* 1/2019 Hodgson ..... D28/46  
 D843,058 S \* 3/2019 Fyfield ..... D28/46  
 D874,727 S \* 2/2020 Washington ..... D28/47  
 D889,041 S \* 6/2020 Chae ..... D28/47  
 D890,995 S \* 7/2020 Long ..... D28/47  
 2015/0158191 A1 \* 6/2015 Jeong ..... B26B 21/4018  
 30/41  
 (21) Appl. No.: **29/717,758** 2017/0008183 A1 \* 1/2017 Bridges ..... B26B 21/225  
 30/41  
 (22) Filed: **Dec. 19, 2019**

**Related U.S. Application Data**

(62) Division of application No. 29/623,712, filed on Oct. 26, 2017, now Pat. No. Des. 874,727.  
 (51) **LOC (12) Cl.** ..... **28-03**  
 (52) **U.S. Cl.**  
 USPC ..... **D28/47**  
 (58) **Field of Classification Search**  
 USPC ..... D28/46-48  
 CPC ..... B26B 21/14-227; B26B 21/4006-4031;  
 B26B 21/4068-4075; B26B 21/443;  
 B26B 21/54-60; B26B 21/525  
 See application file for complete search history.

**References Cited**

**U.S. PATENT DOCUMENTS**

D216,658 S \* 2/1970 Edmondson ..... D28/46  
 D601,753 S \* 10/2009 Cataudella ..... D28/47  
 D602,634 S \* 10/2009 Cataudella ..... D28/46  
 D604,904 S 11/2009 Watson  
 D608,501 S \* 1/2010 Wain ..... D28/47  
 D612,991 S 3/2010 Cataudella  
 D630,797 S \* 1/2011 Witkus ..... D28/47  
 D633,254 S \* 2/2011 Witkus ..... D28/47  
 D658,809 S \* 5/2012 Jessemey ..... D28/47

\* cited by examiner

*Primary Examiner* — Jennifer Rivard

(74) *Attorney, Agent, or Firm* — Joanne N. Pappas; Kevin C. Johnson

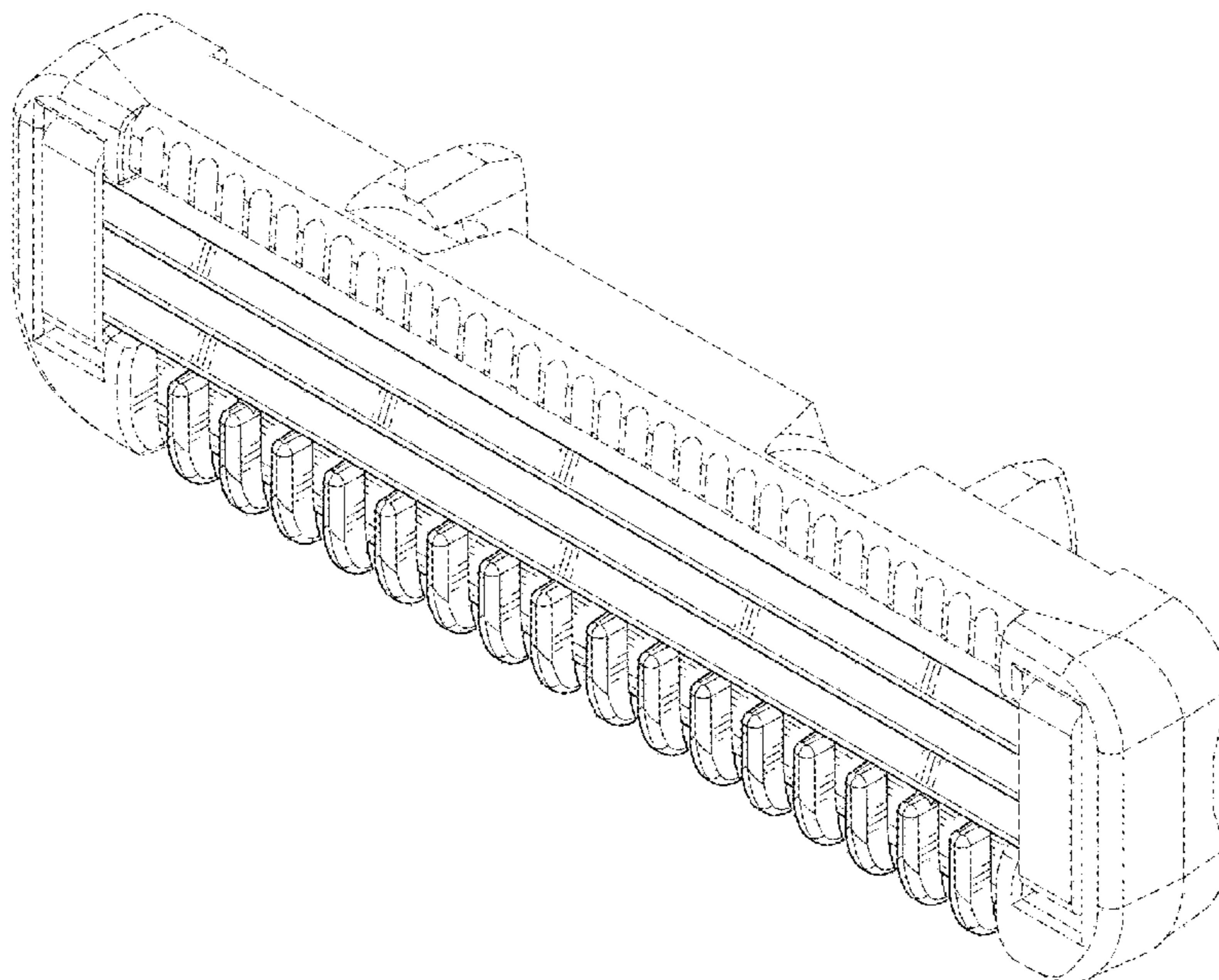
(57) **CLAIM**

The ornamental design for a razor cartridge, as shown and described.

**DESCRIPTION**

FIG. 1 is a front perspective view of a design of a razor cartridge of the present invention;  
 FIG. 2 is a front view thereof;  
 FIG. 3 is a back view thereof;  
 FIG. 4 is a right side view thereof;  
 FIG. 5 is a left side view thereof;  
 FIG. 6 is a top view thereof;  
 FIG. 7 is a bottom view thereof; and,  
 FIG. 8 is a rear perspective view thereof.  
 The broken lines illustrate portions of the razor cartridge and form no part of the claimed design.

**1 Claim, 5 Drawing Sheets**



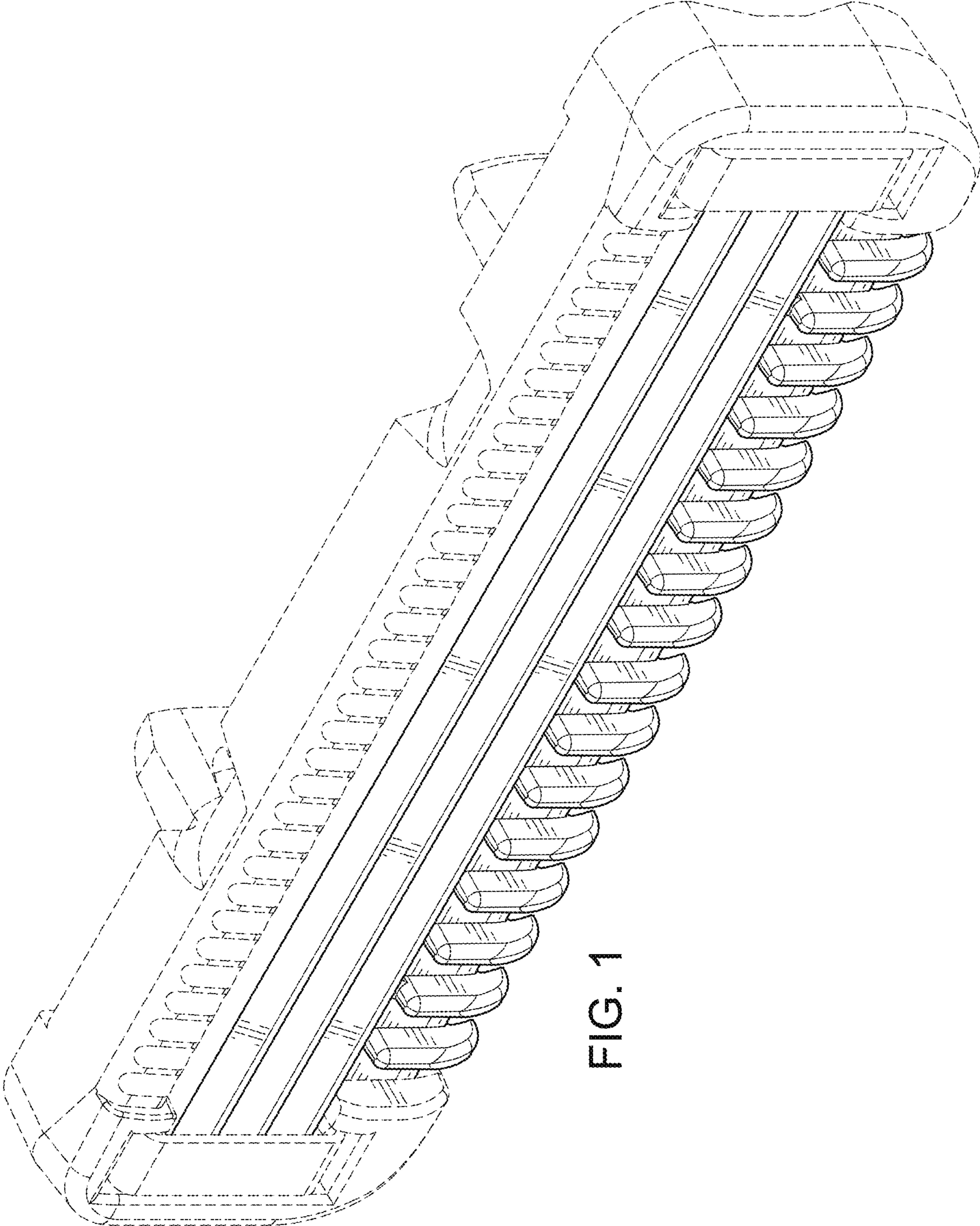


FIG. 1

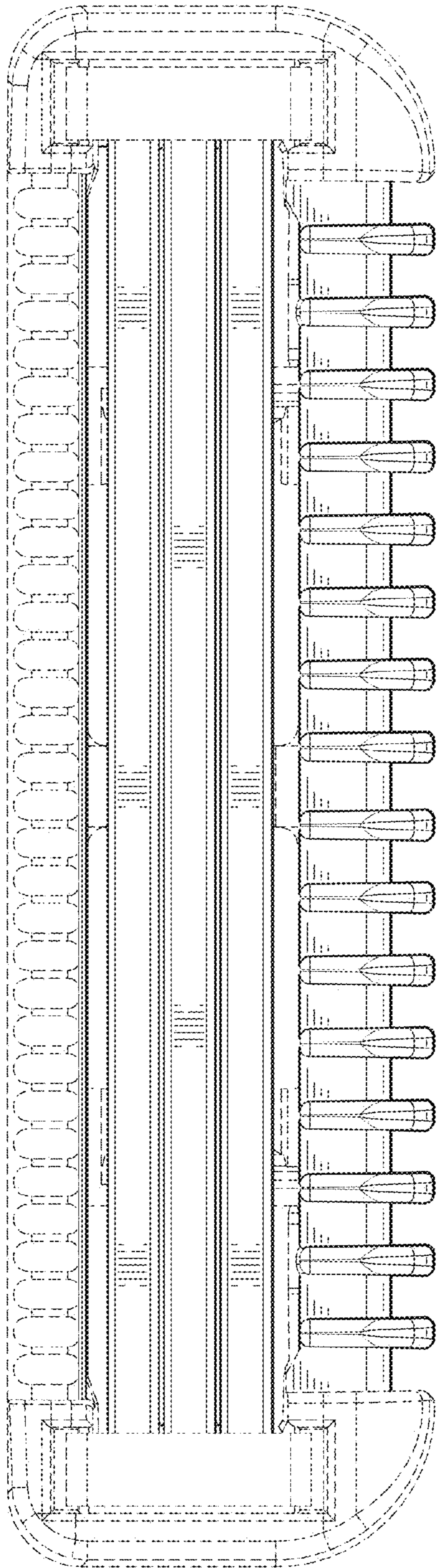


FIG. 2

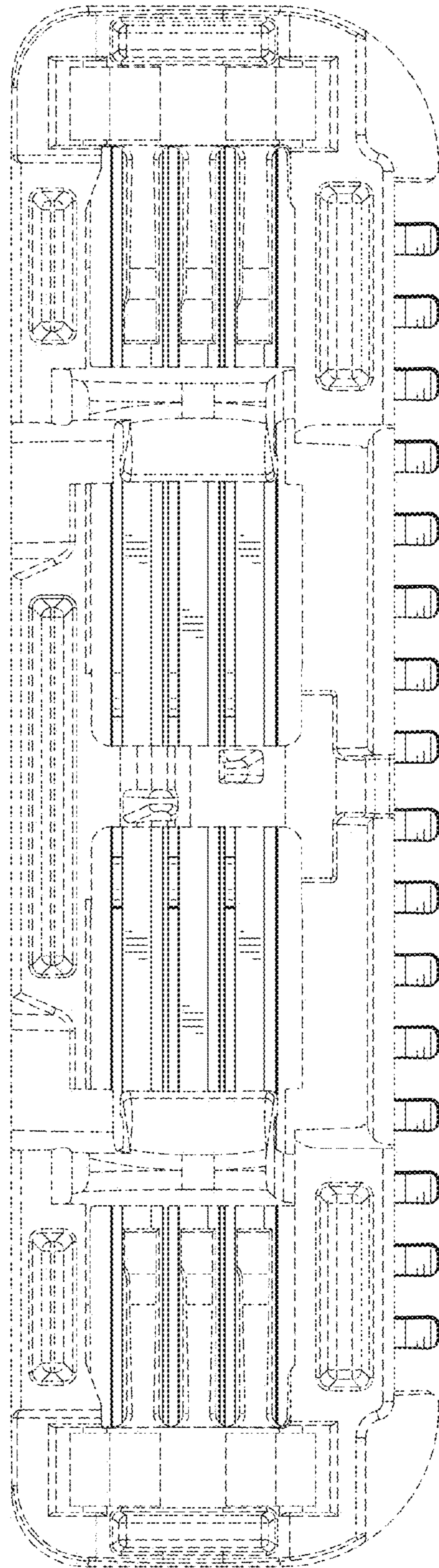


FIG. 3

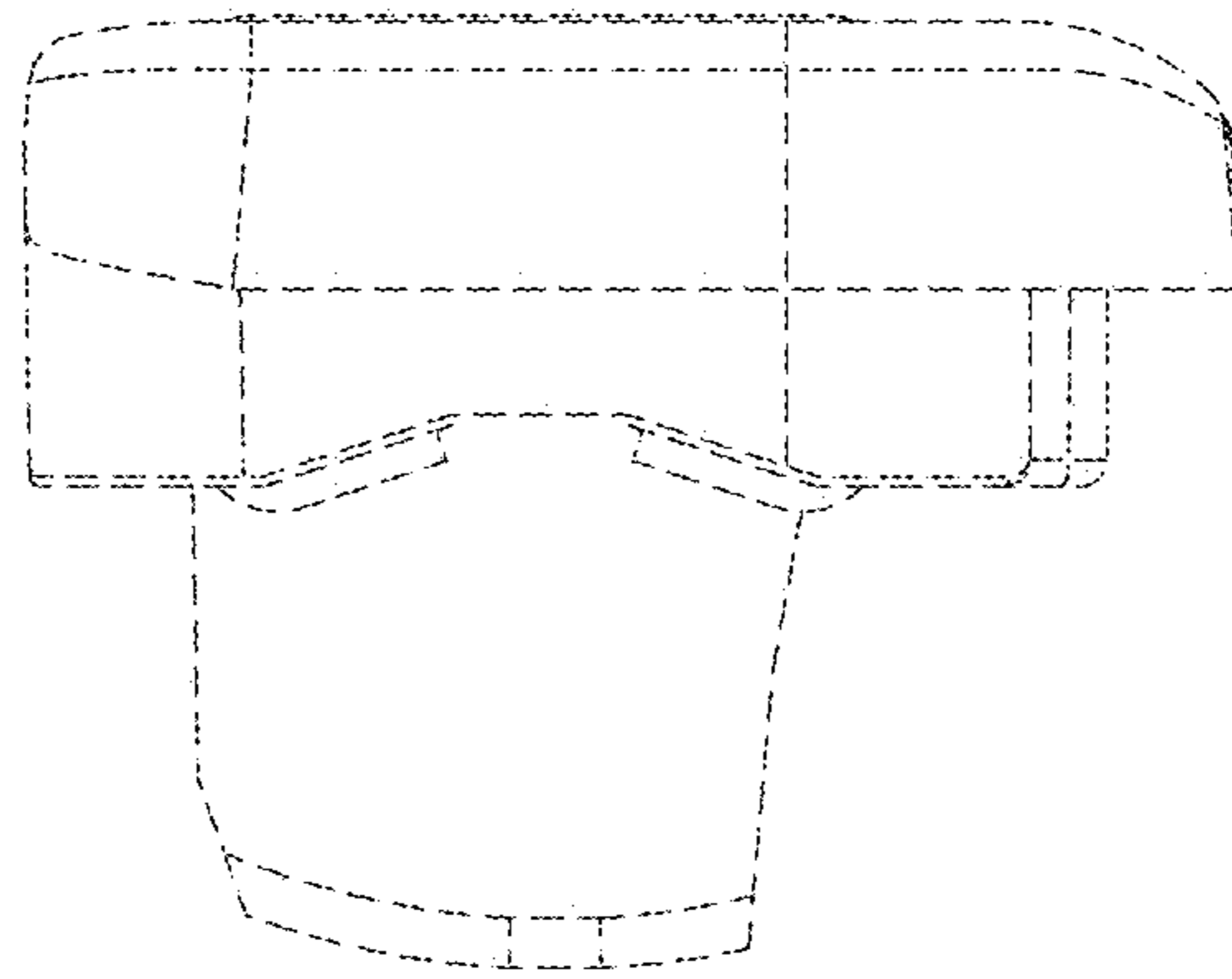


FIG. 5

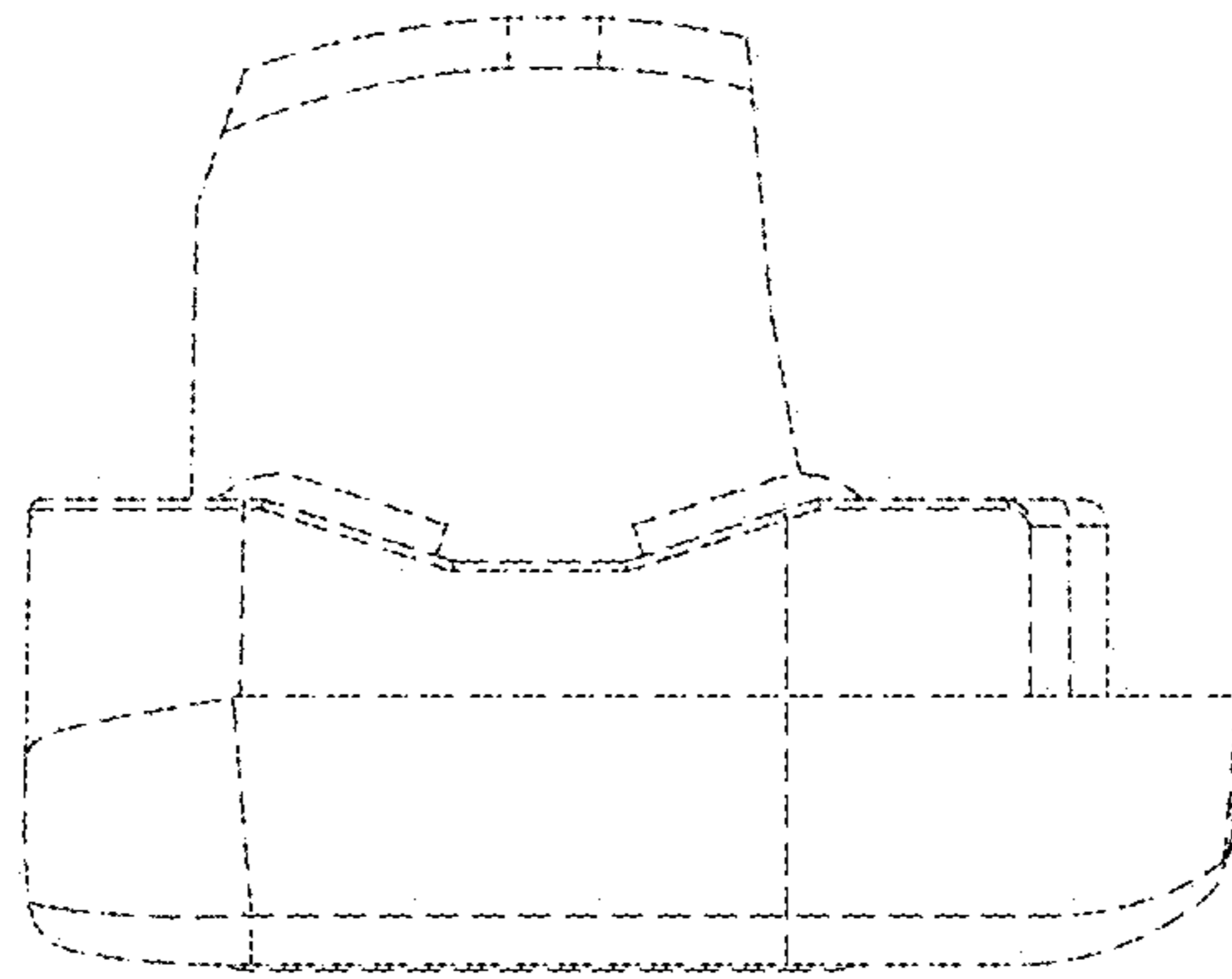


FIG. 4

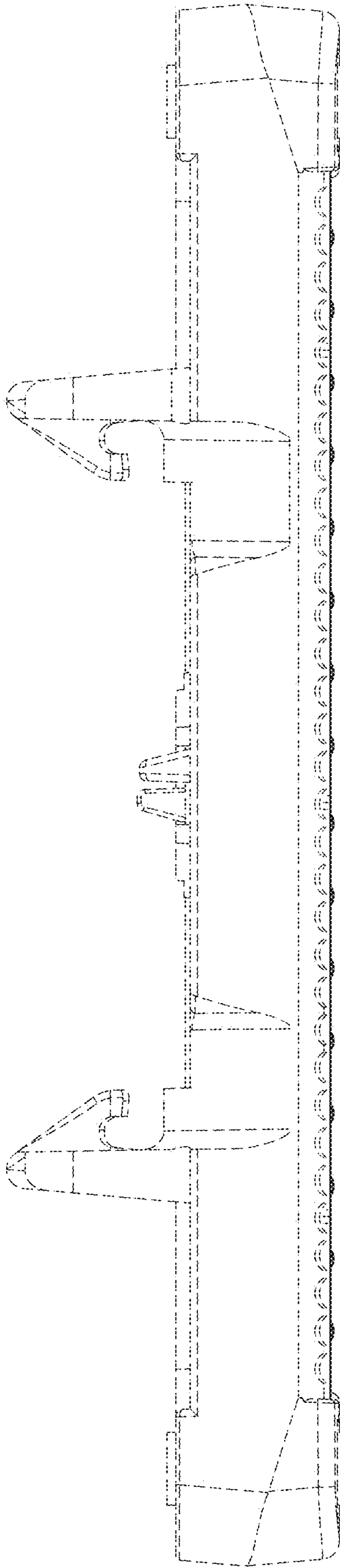


FIG. 6

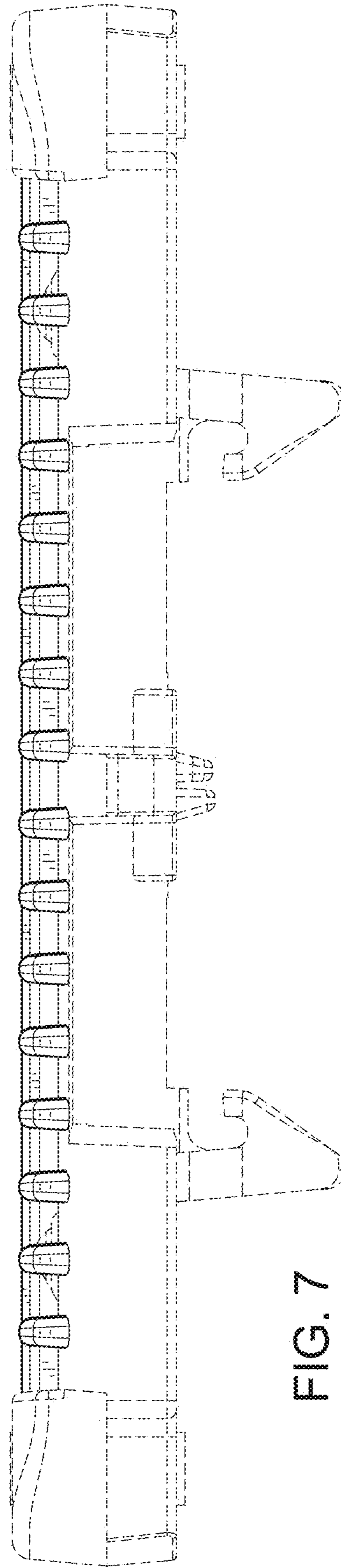


FIG. 7

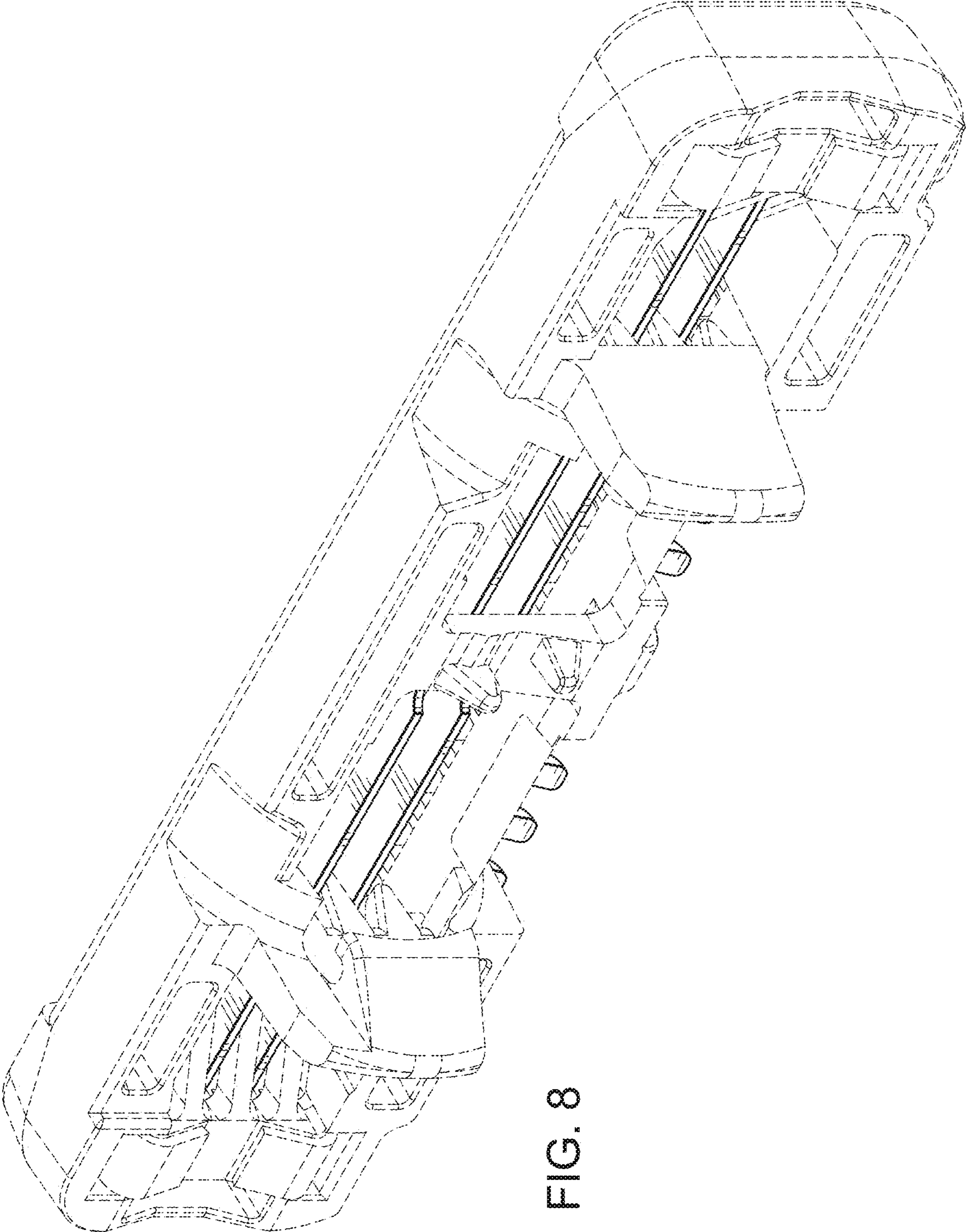


FIG. 8