



US00D905907S

(12) **United States Design Patent** (10) **Patent No.:** **US D905,907 S**  
**Ragbir** (45) **Date of Patent:** **\*\* Dec. 22, 2020**

(54) **WAX HEATER**  
(71) Applicant: **DEO Beauty Products Limited,**  
Chelmsford (GB)  
(72) Inventor: **Jai Ragbir,** Chelmsford (GB)  
(73) Assignee: **DEO BEAUTY PRODUCTS LIMITED,** Chelmsford (GB)  
(\*\*) Term: **15 Years**  
(21) Appl. No.: **29/663,385**  
(22) Filed: **Sep. 14, 2018**

8,968,713 B2 \* 3/2015 Fusco ..... A61K 8/347  
424/73  
D735,255 S \* 7/2015 Sickinger ..... D15/144.2  
9,498,553 B2 \* 11/2016 Reedt-Runge ..... A61L 9/03  
10,016,042 B2 \* 7/2018 Adams ..... A45D 26/0014  
10,086,102 B2 \* 10/2018 Belongia ..... A61L 9/03  
10,207,018 B2 \* 2/2019 Gasper ..... A61L 9/03  
10,225,885 B2 \* 3/2019 Belongia ..... H05B 3/0052  
D857,215 S \* 8/2019 Lin ..... D24/200  
2005/0016985 A1 \* 1/2005 Haas ..... A61L 9/03  
219/438  
2006/0163241 A1 \* 7/2006 Xiao ..... A61L 9/03  
219/438  
2007/0047931 A1 \* 3/2007 Niemeyer ..... A61L 9/03  
392/390  
2016/0346419 A1 \* 12/2016 Gasper ..... A61L 9/03  
2017/0232126 A1 \* 8/2017 Faterioun ..... H05B 3/42  
239/136

(30) **Foreign Application Priority Data**

(Continued)

May 17, 2018 (EM) ..... 005270709-0002

(51) **LOC (12) Cl.** ..... **28-03**

(52) **U.S. Cl.**  
USPC ..... **D28/44.1; D15/144.2; D7/354**

(58) **Field of Classification Search**  
USPC ..... D15/144.1-144.2; D28/9, 10, 44, 44.1,  
D28/58; D7/364, 357, 640, 354, 356  
CPC ..... A45D 26/00; A45D 26/0014; A61L  
9/03-037

See application file for complete search history.

(56) **References Cited**

**U.S. PATENT DOCUMENTS**

D453,488 S \* 2/2002 McCauley ..... D11/152  
6,616,363 B1 \* 9/2003 Guillaume ..... A01M 1/2061  
401/1  
D485,710 S \* 1/2004 Burkhart ..... D11/152  
D574,180 S \* 8/2008 Broom ..... D7/357  
7,507,936 B2 \* 3/2009 Mast ..... A45D 26/0014  
15/236.01  
8,084,718 B1 \* 12/2011 Shotey ..... A61F 7/0085  
219/386

**FOREIGN PATENT DOCUMENTS**

CA 2126490 A1 \* 5/1996 ..... F24C 7/04  
FR 2822654 A1 \* 10/2002 ..... A45D 26/0014  
GB 2520974 A \* 6/2015 ..... A45D 26/0014

*Primary Examiner* — Jennifer Rivard

(74) *Attorney, Agent, or Firm* — Nath, Goldberg & Meyer; Joshua B. Goldberg

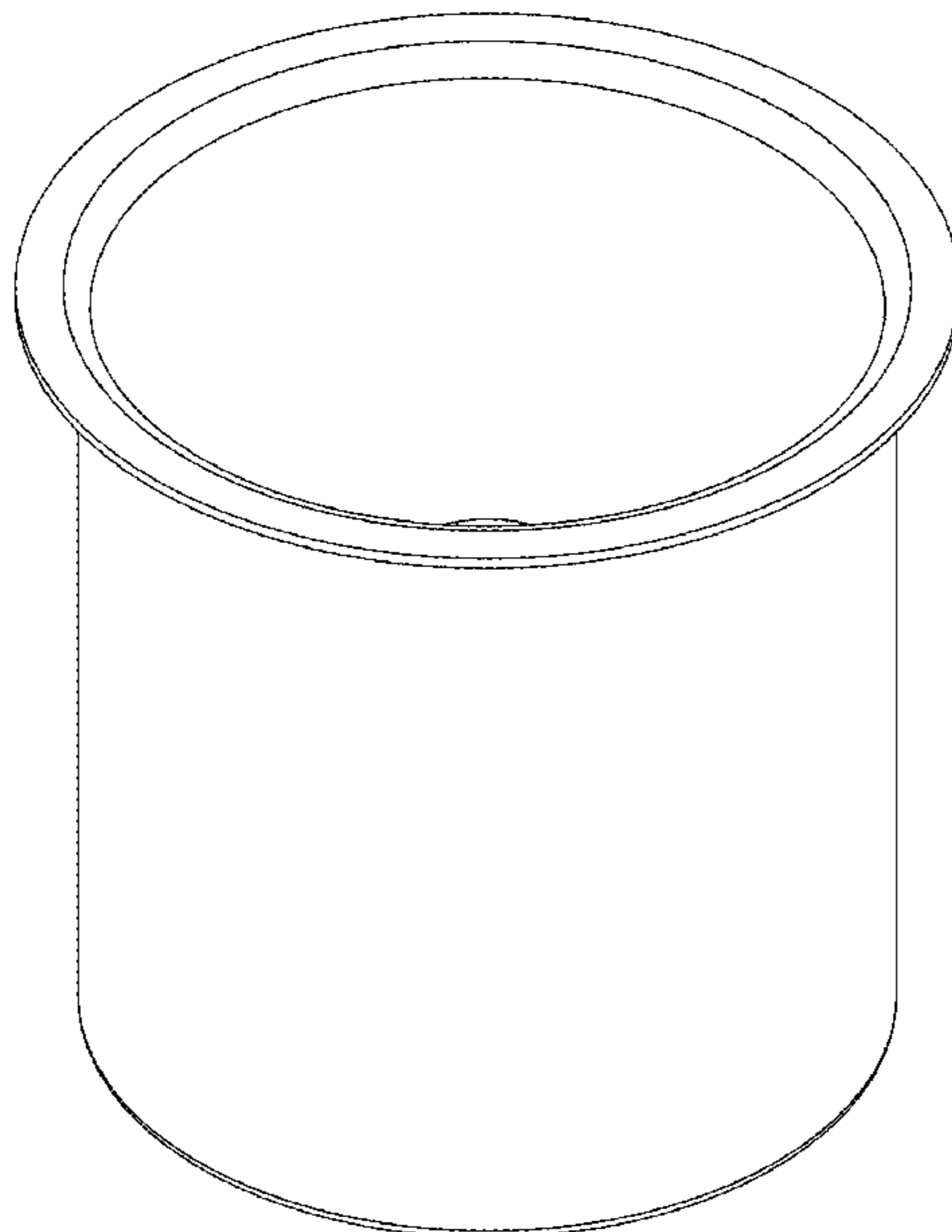
(57) **CLAIM**

The ornamental design for a wax heater, as shown and described.

**DESCRIPTION**

FIG. 1 is a top view of a wax heater showing my new design;  
FIG. 2 is a side view thereof;  
FIG. 3 is a perspective view thereof;  
FIG. 4 is a cross-sectional side view taken along lines 4-4 of  
FIG. 5; and,  
FIG. 5 is a bottom view.

**1 Claim, 5 Drawing Sheets**



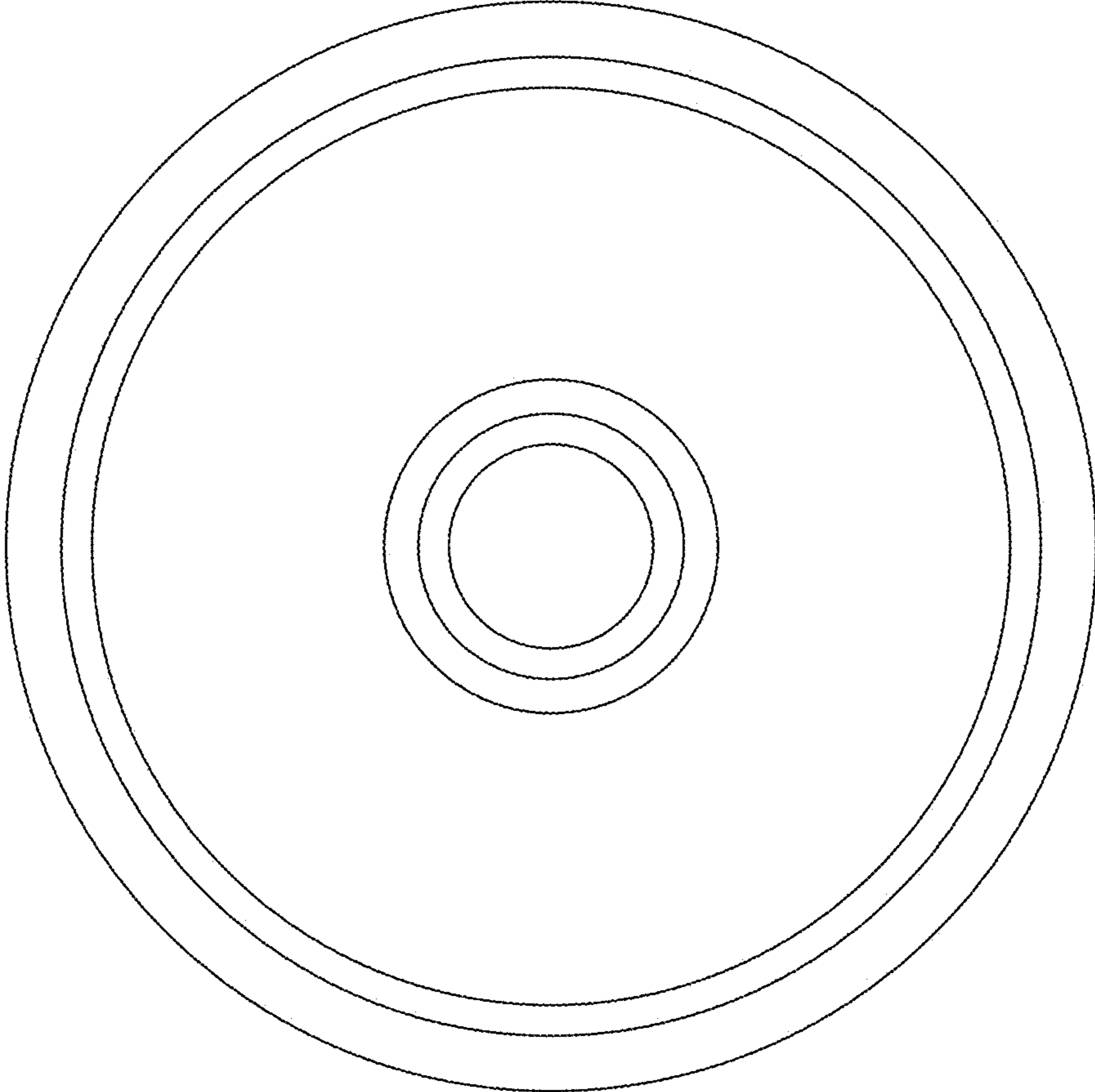
(56)

**References Cited**

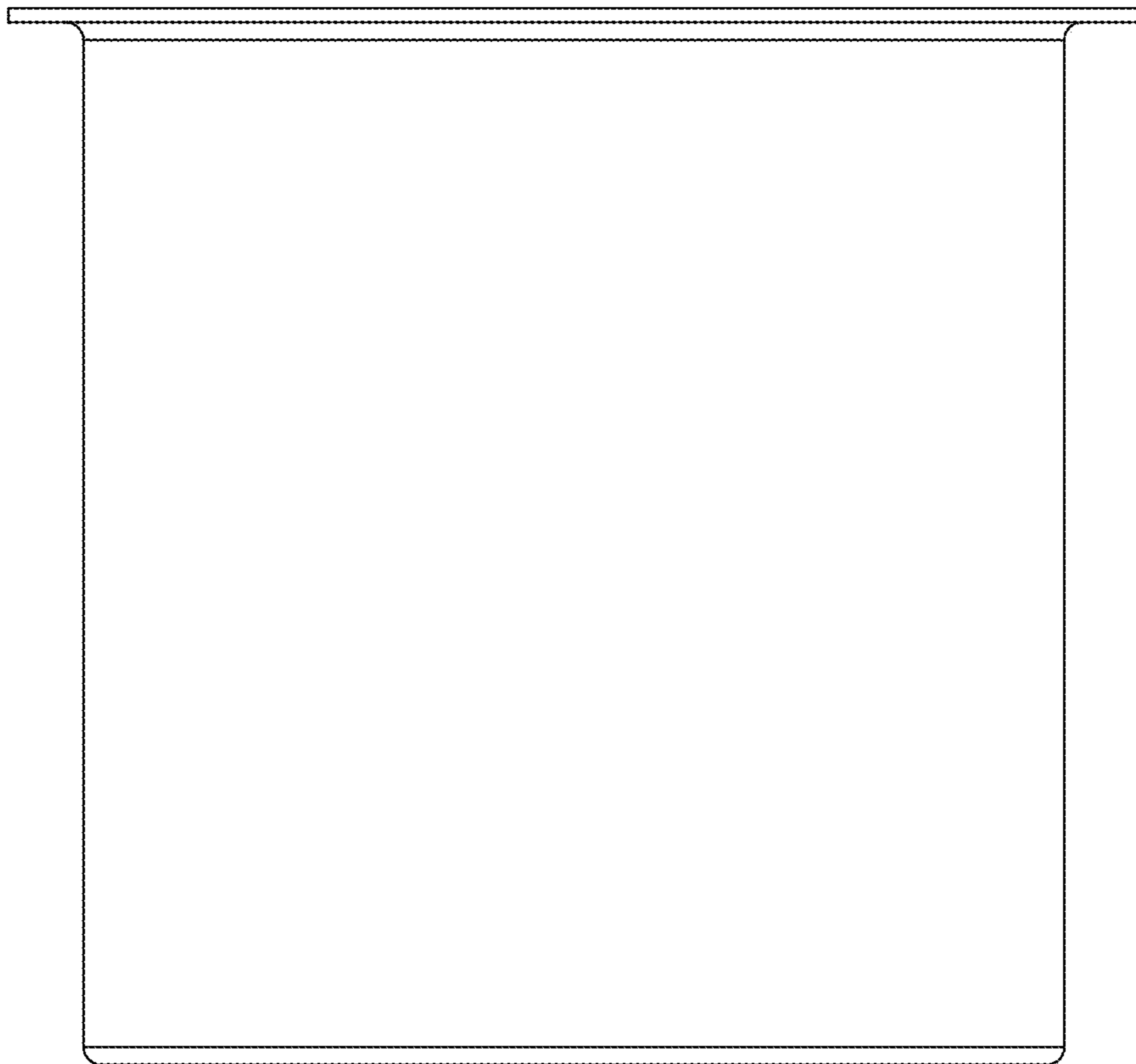
U.S. PATENT DOCUMENTS

2018/0042070 A1\* 2/2018 Belongia ..... H05B 1/0297  
2019/0159569 A1\* 5/2019 Bartlett ..... H05B 1/0227

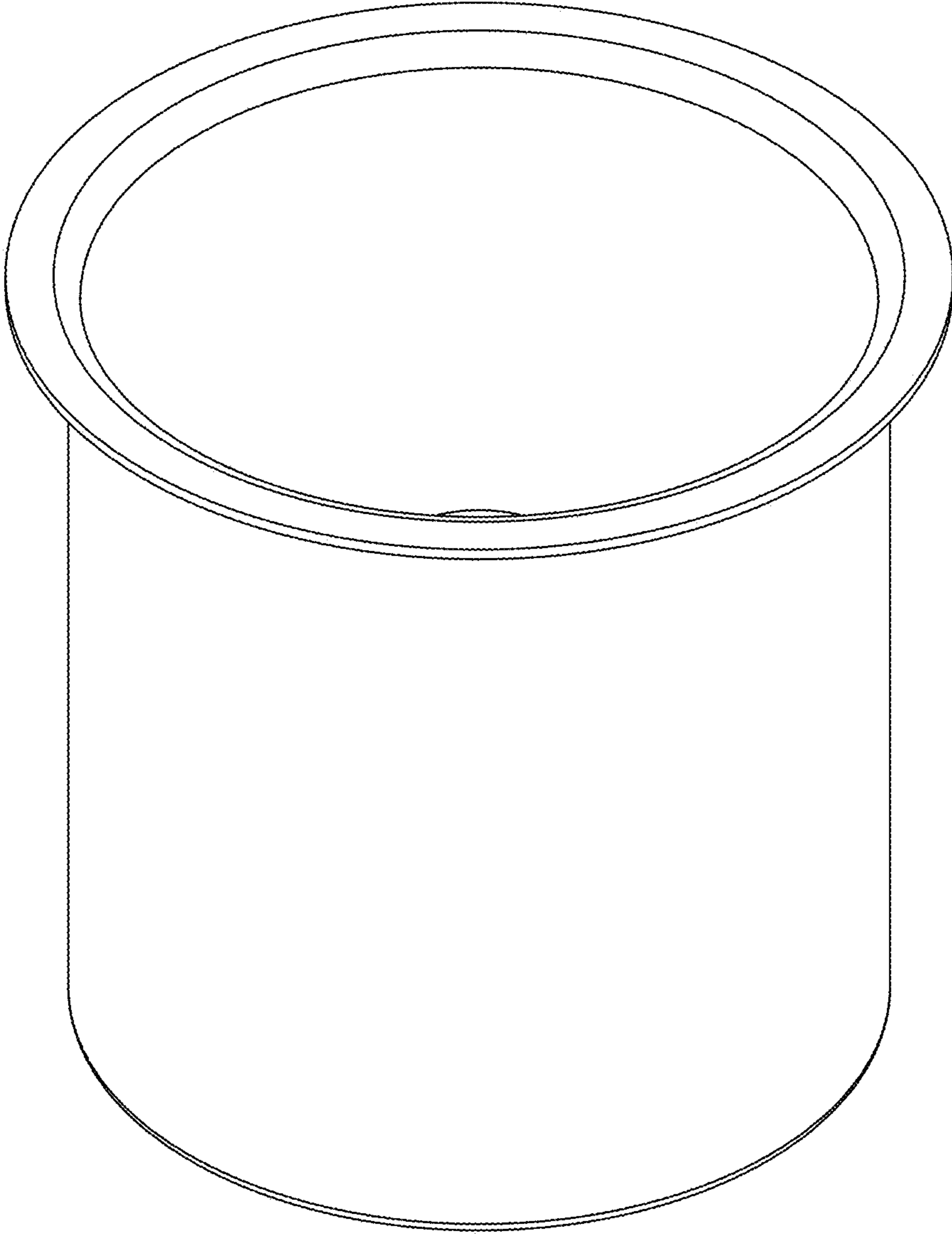
\* cited by examiner



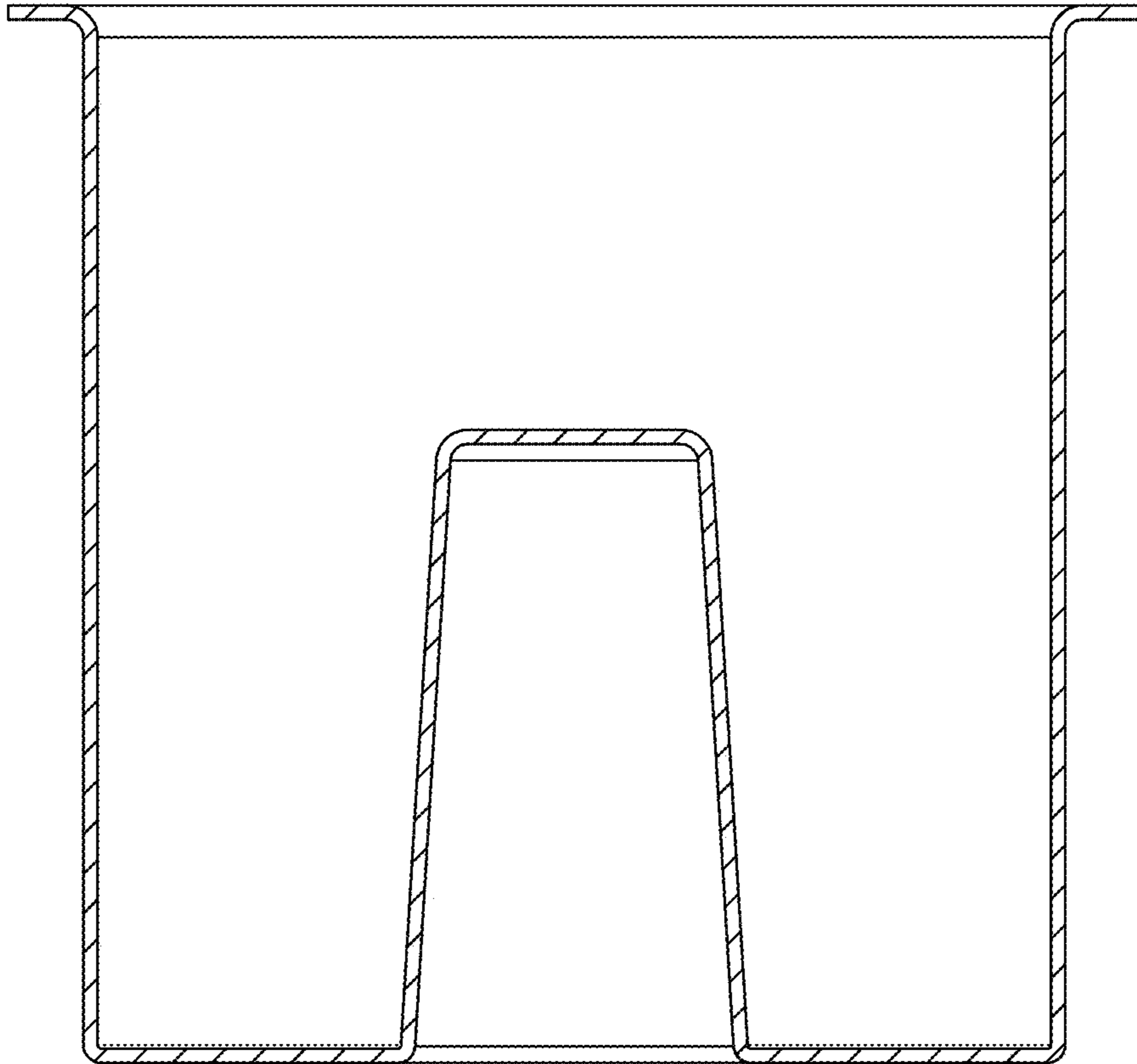
***Fig. 1***



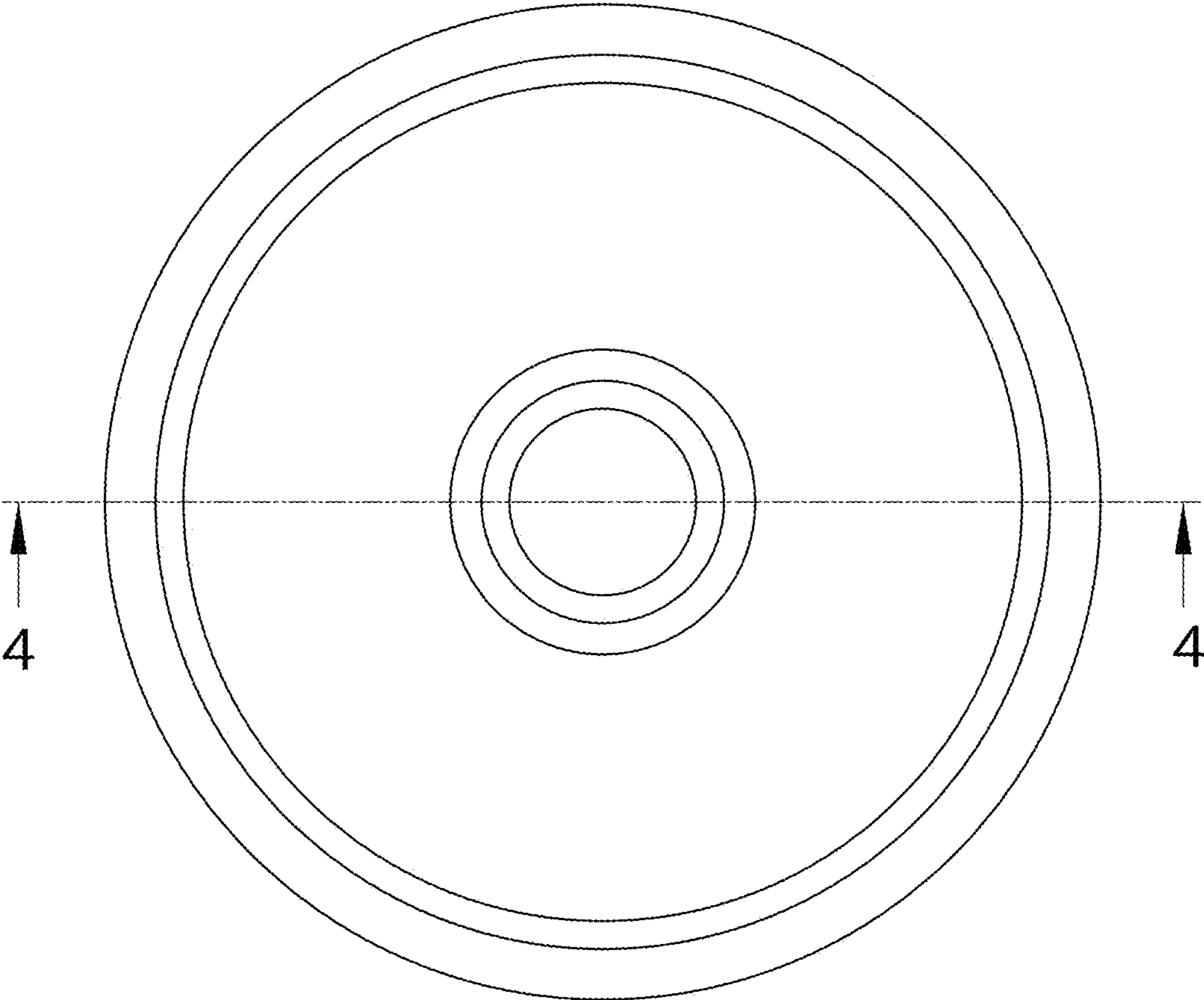
***Fig. 2***



**Fig. 3**



**Fig. 4**



**Fig. 5**