



US00D905904S

(12) **United States Design Patent** (10) **Patent No.:** **US D905,904 S**
Lee (45) **Date of Patent:** **** Dec. 22, 2020**

(54) **PERFUME MIXER**
(71) Applicant: **SAMSUNG ELECTRONICS CO., LTD.**, Suwon-si (KR)
(72) Inventor: **Jaemoon Lee**, Suwon-si (KR)
(73) Assignee: **SAMSUNG ELECTRONICS CO., LTD.**, Gyeonggi-do (KR)
(**) Term: **15 Years**

D403,924 S * 1/1999 Carlson B01L 3/5085
D7/602
6,180,065 B1 * 1/2001 Homola B01L 3/5085
422/547
D469,320 S * 1/2003 Pettaweebuncha D7/629
(Continued)

(21) Appl. No.: **29/686,332**
(22) Filed: **Apr. 3, 2019**
(30) **Foreign Application Priority Data**

FOREIGN PATENT DOCUMENTS

EM 002334805-0001 10/2013
EM 002537761-0002 9/2014

Dec. 20, 2018 (KR) 30-2018-0060529

OTHER PUBLICATIONS

Samsung C-Lab to Reveal Eight New AI Projects at CES 2019 [online], [site visited Aug. 19, 2020]. Available from internet, URL:<<https://news.samsung.com/uk/samsung-c-lab-to-reveal-eight-new-ai-projects-at-ces-2019>> (Year: 2019).*

(51) **LOC (12) Cl.** **28-03**
(52) **U.S. Cl.**
USPC **D28/9**; D7/629

(Continued)

Primary Examiner — Cynthia Ramirez
Assistant Examiner — Xavier Marti-Santos
(74) *Attorney, Agent, or Firm* — Cantor Colburn LLP

(58) **Field of Classification Search**
USPC D3/203–203.2; D7/300–322, 553.1–555, D7/538, 541, 602, 629; D9/739, 759, D9/760, 770, 544–546; D24/227–230; D28/9, 83, 99
CPC A47J 43/042; B01F 11/0005; B01F 9/02; B01F 9/0003; B01F 2009/0089; B01L 3/5085; B01L 9/52; B25H 3/04; B25H 3/00; B25H 3/021; B65D 39/16
See application file for complete search history.

(57) **CLAIM**

The ornamental design for a perfume mixer, as shown and described.

(56) **References Cited**

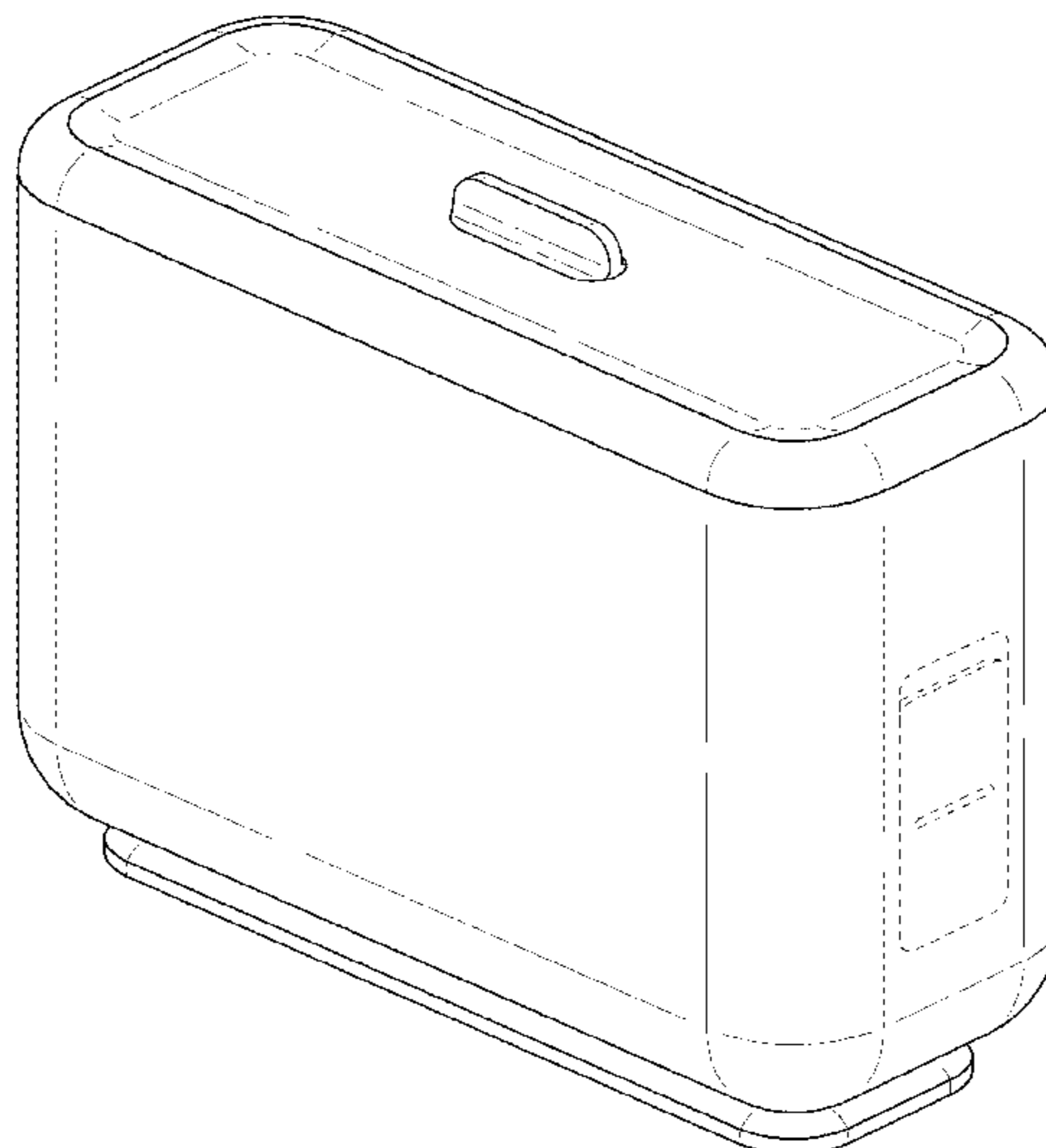
U.S. PATENT DOCUMENTS

3,394,861 A * 7/1968 Truax B65D 51/20
229/120.07
D215,491 S * 10/1969 Pinn D6/517
D220,448 S * 4/1971 Swett D7/629
4,935,208 A * 6/1990 Kohler G01N 33/54366
422/566
D332,204 S * 1/1993 Carlson B01L 9/52
D7/629

DESCRIPTION

FIG. 1 is a front perspective view of a perfume mixer, showing my new design;
FIG. 2 is a front view thereof;
FIG. 3 is a rear view thereof;
FIG. 4 is a left-side view thereof;
FIG. 5 is a right-side view thereof;
FIG. 6 is a top view thereof;
FIG. 7 is a bottom view thereof; and,
FIG. 8 is front perspective exploded view thereof.
The broken lines illustrate portions of the perfume mixer, which form no part of the claimed design.

1 Claim, 6 Drawing Sheets



(56)

References Cited

U.S. PATENT DOCUMENTS

D632,803 S * 2/2011 Motadel D24/229
8,303,902 B2 * 11/2012 Kim B01L 9/52
422/198
D701,972 S * 4/2014 Ohmae D24/229
D754,831 S 4/2016 Yin et al.

OTHER PUBLICATIONS

Samsung's Perfume Blender which will allow you to make your favourite fragrance at home [online], [site visited Aug. 19, 2020]. Available from internet, URL: <<https://twitter.com/MathewMurphy81/status/1083493970099879936/photo/2>> (Year: 2019).*

Blueair Sense+ Review. Breathe Easy With This WiFi-Enabled Air Purifier—WIRED [online]. pp. 1-9 [retrieved on Jun. 27, 2019]. Retrieved from the Internet: <URL: <https://www.wired.com/review/review-blueair-sense/>>.

Boneco U200-Luchtbevochtiger. pp. 1-5 retrieved on Jun. 27, 2019. Retrieved from the Internet: URL: <https://www.bol.com/nl/p/boneco-u200-luchtbevochtiger/9200000010161716/?suggestionType=browse&bltgh=ntTwlRgTbexD0xueG3JDXg.1.17.ProductTitle>.

Ozone purifier GL-F532. [online]. pp. 1-5 [retrieved on Jun. 27, 2019]. Retrieved from the Internet: <URL: <http://009.qifeng1.com/swjhg-show-12.html>>.

TCL DEA30E Energy Star 30 Pint Dehumidifier. Amazon.com [online]. pp. 1-7 [retrieved on Jun. 27, 2019]. Retrieved from the Internet: <URL: <https://www.amazon.com/TCL-DEA30E-Energy-Star-Dehumidifier/dp/B01DXKYZ1S>>.

* cited by examiner

FIG. 1

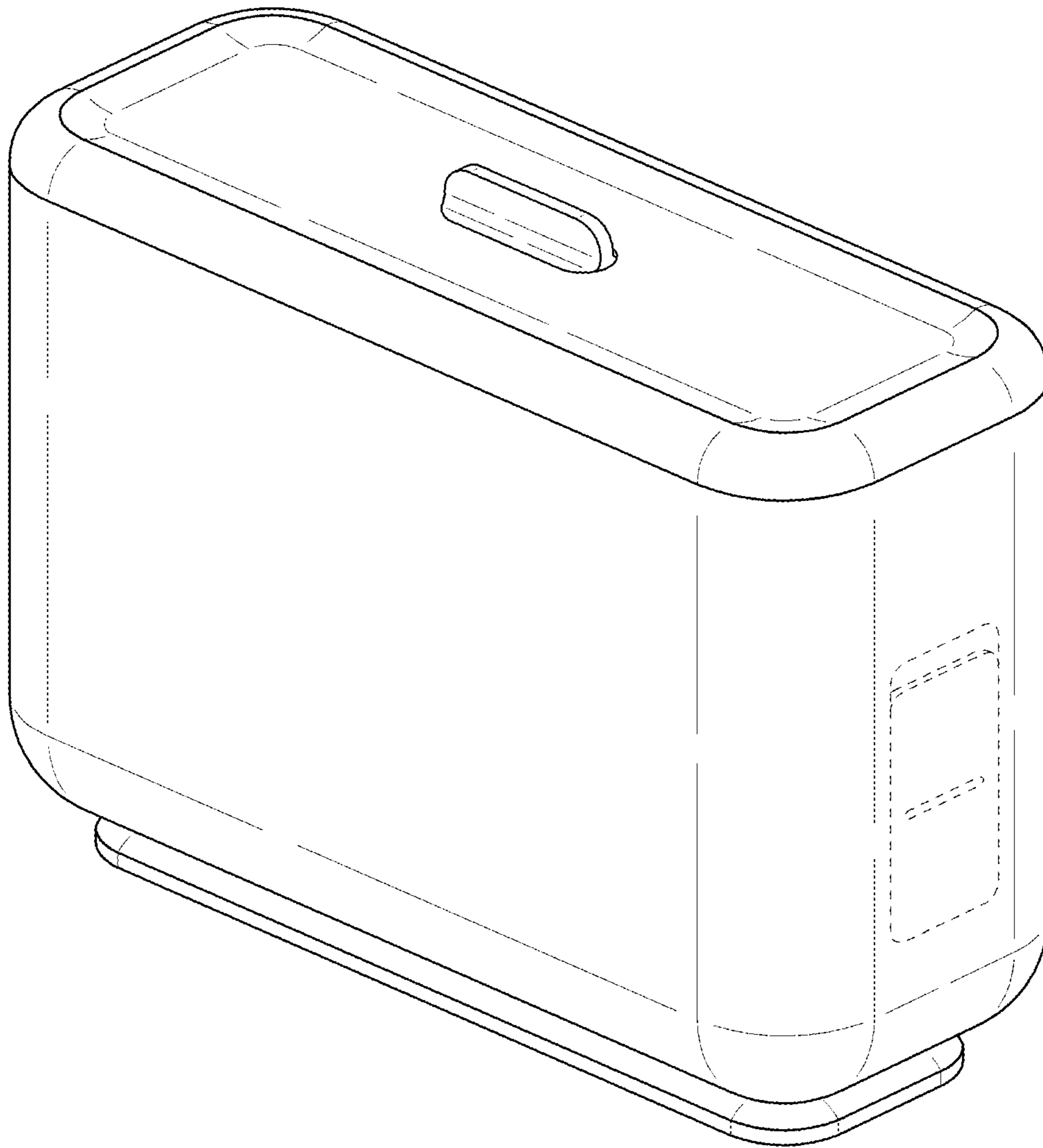


FIG.2

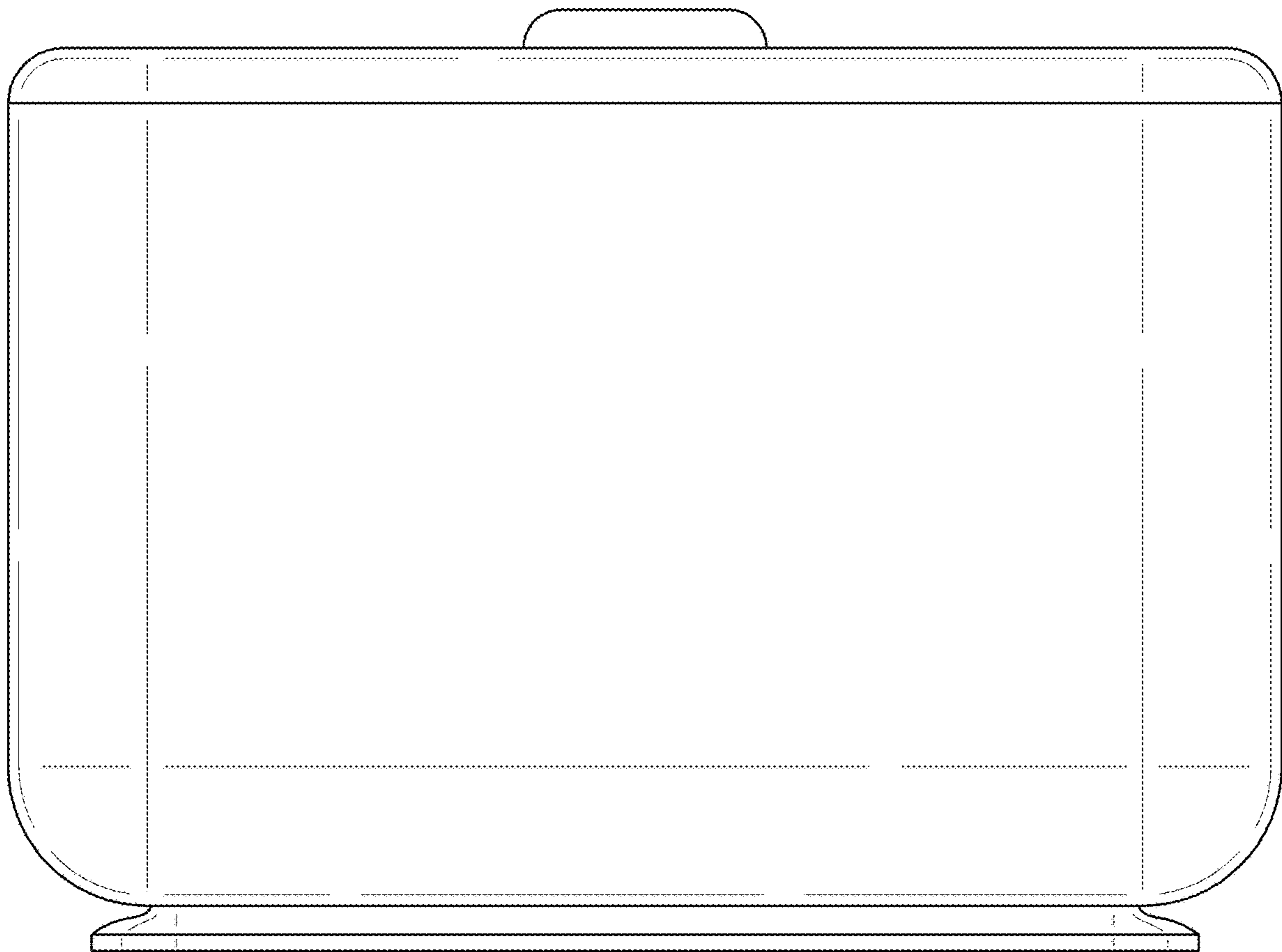


FIG.3

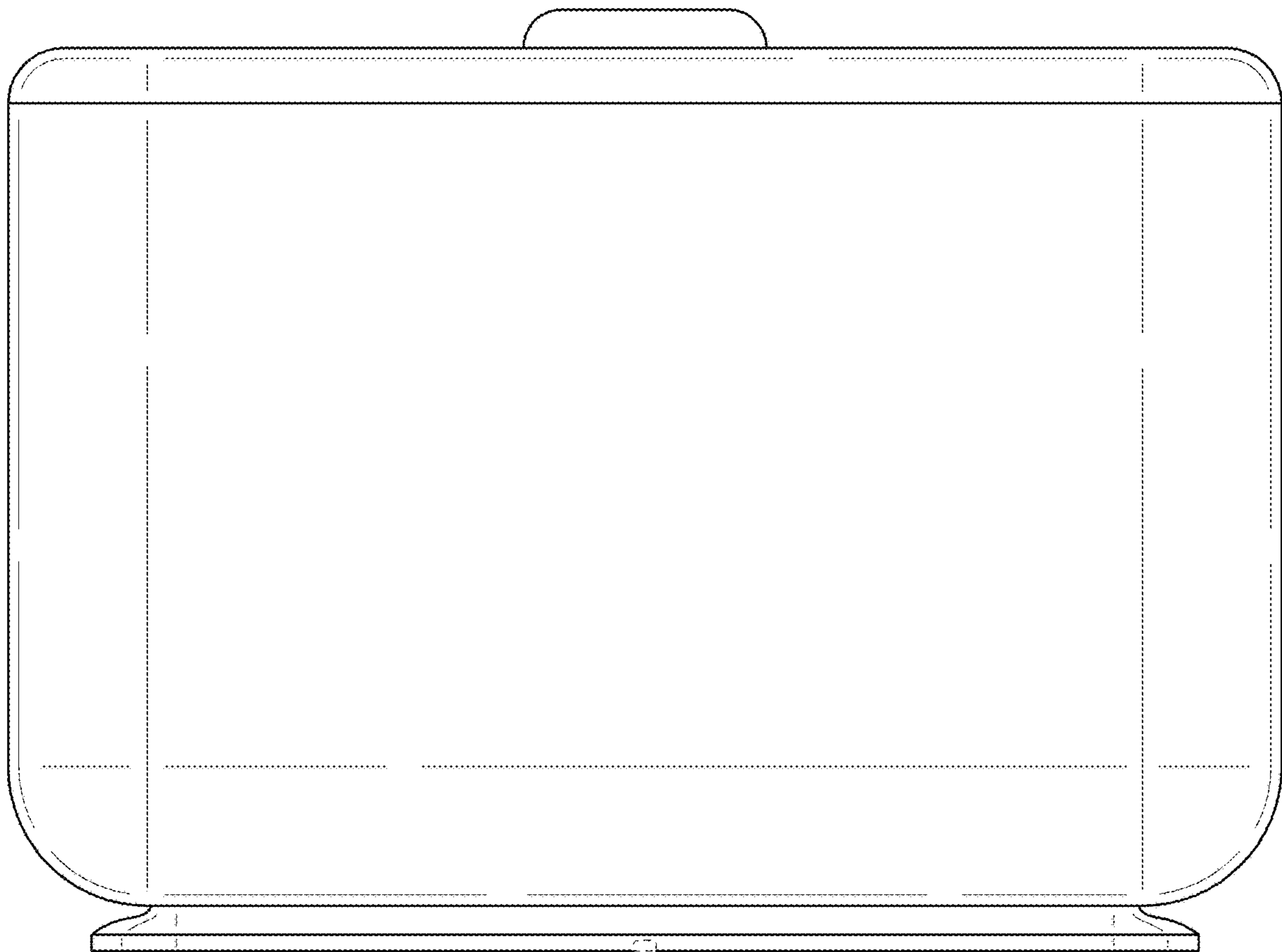


FIG.4

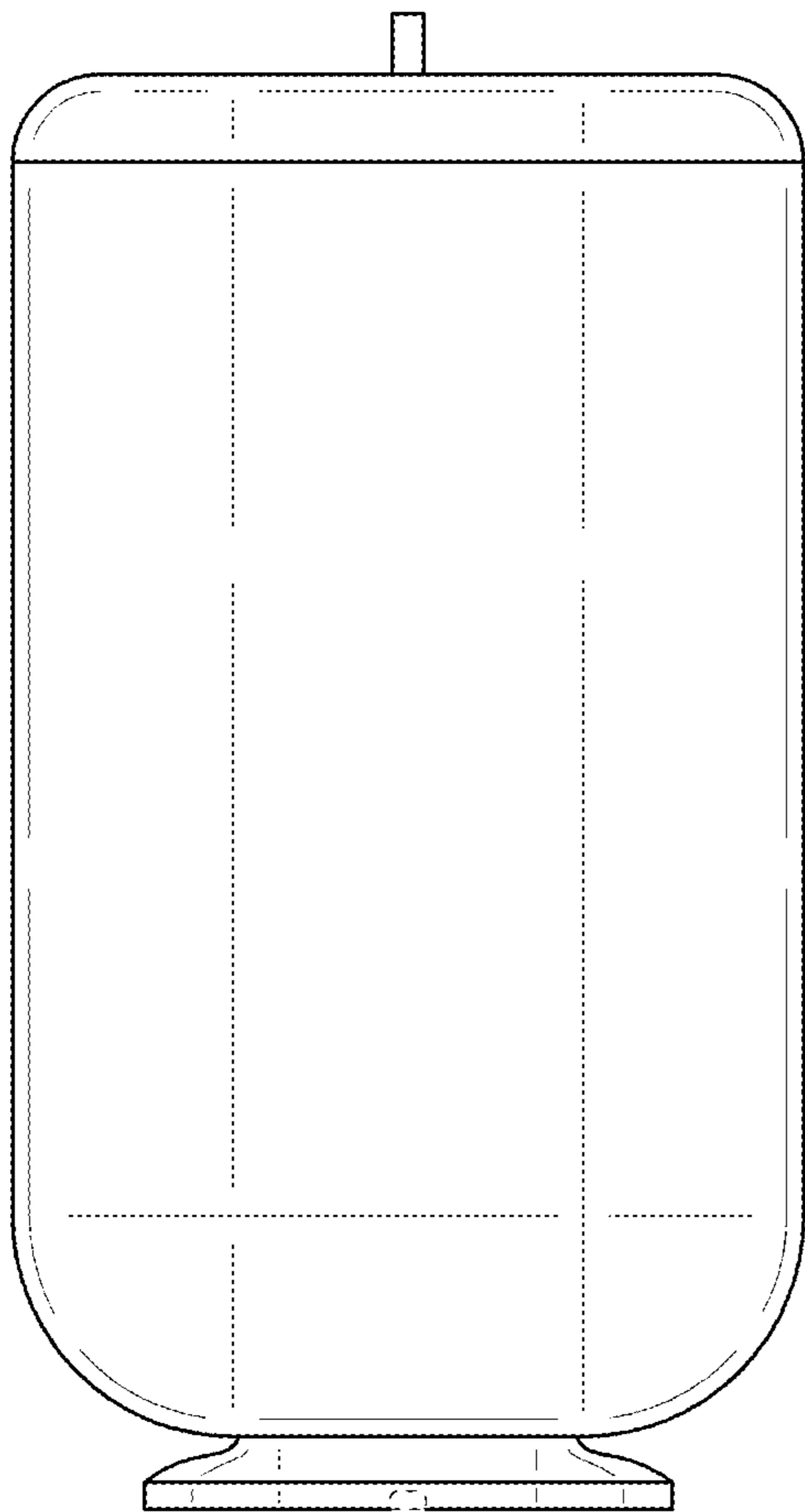


FIG.5

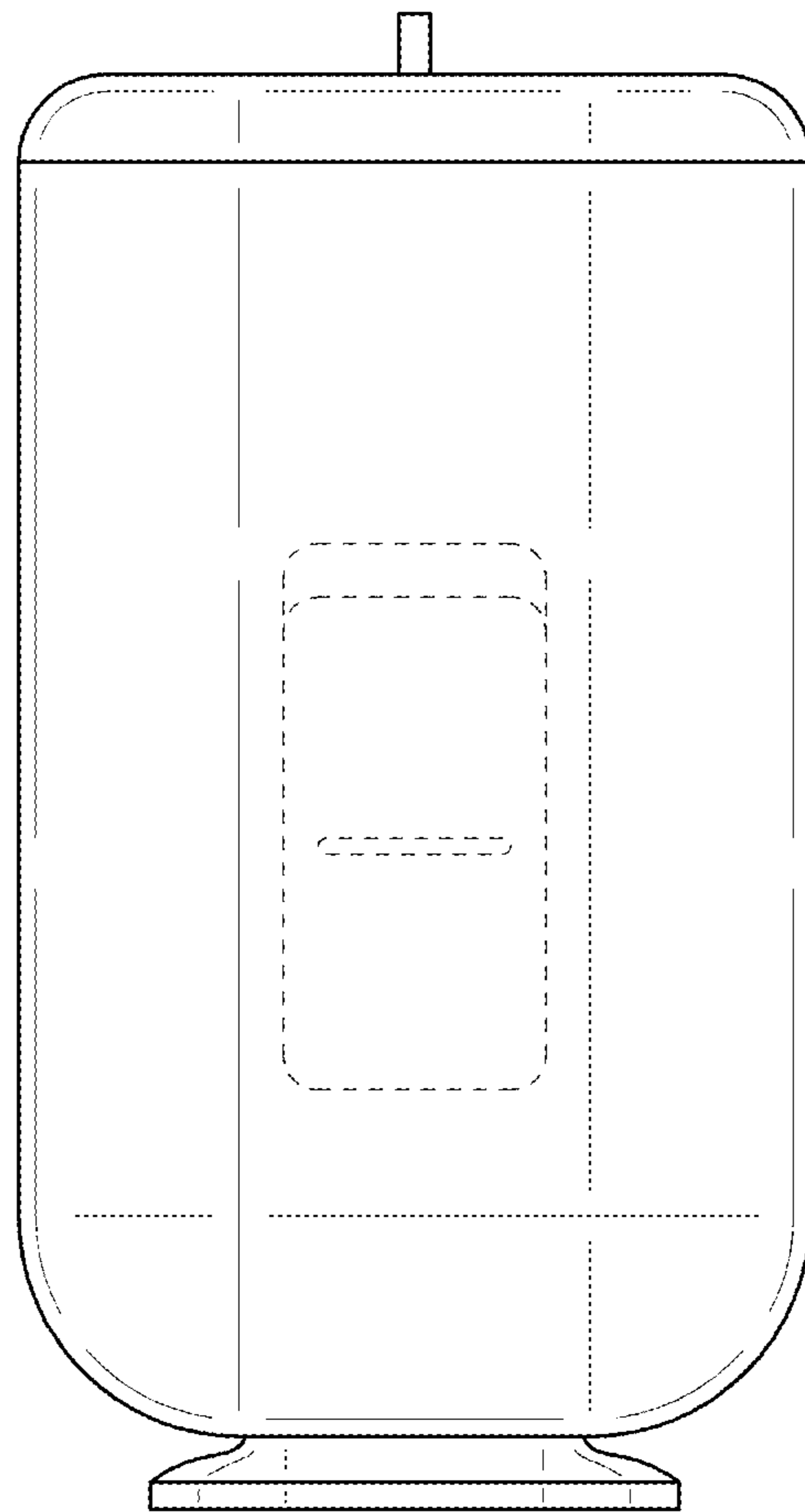


FIG.6

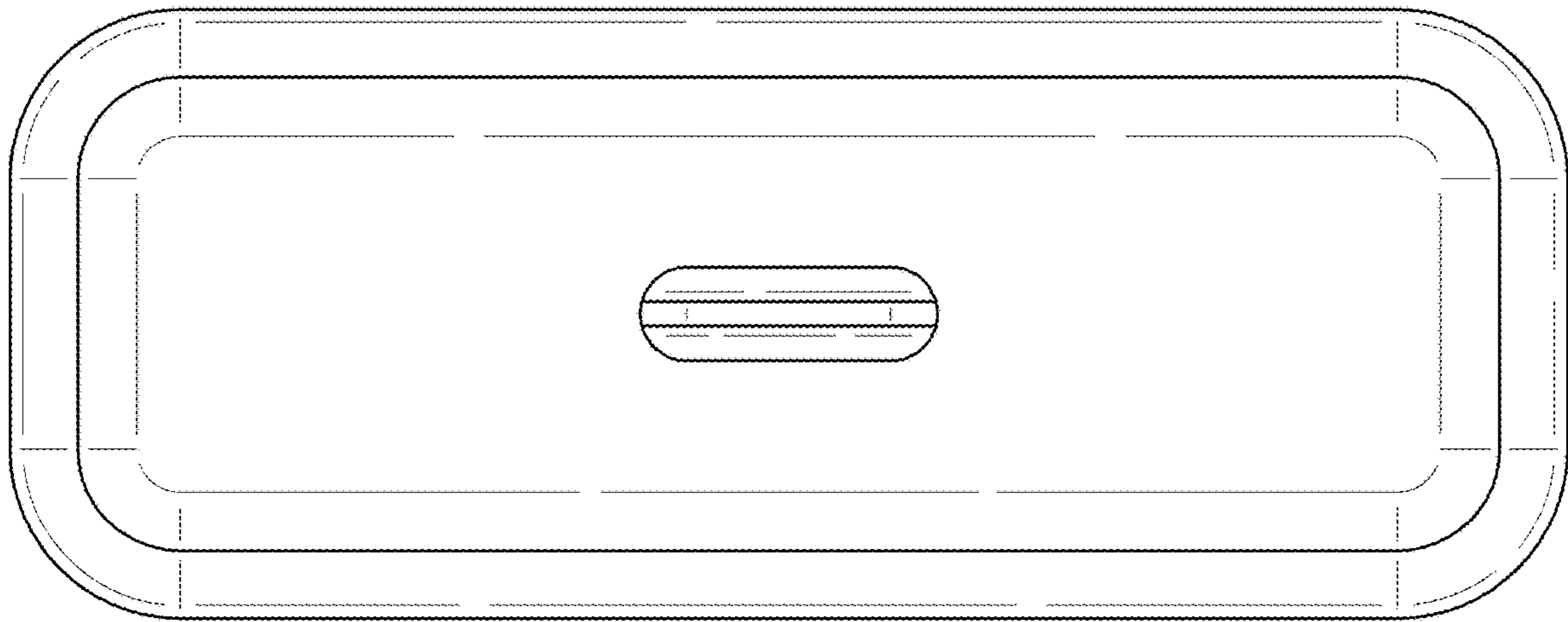


FIG.7

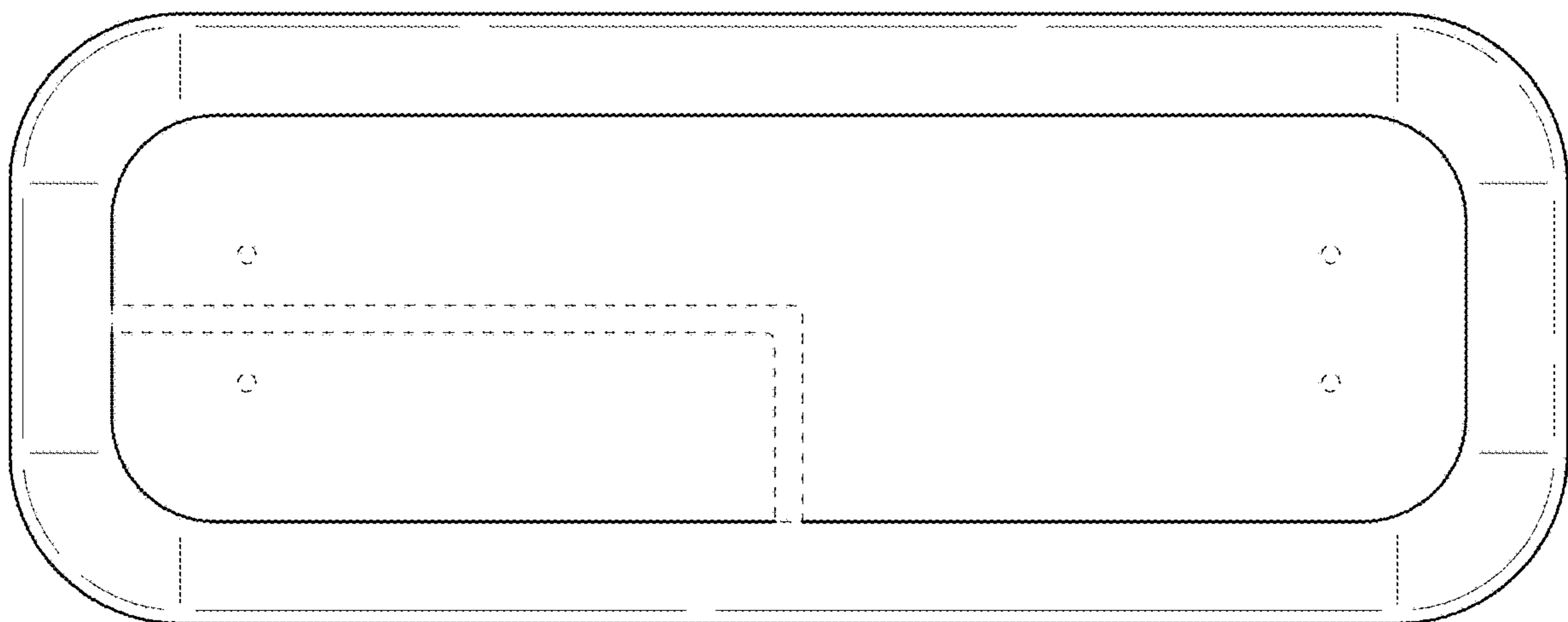


FIG.8

