



US00D905903S

(12) **United States Design Patent** (10) **Patent No.:** **US D905,903 S**
Ryczek (45) **Date of Patent:** **** Dec. 22, 2020**

(54) **MINI PRE-ROLL CASE**
(71) Applicant: **Nuee Innovation**, La Verne, CA (US)
(72) Inventor: **William F Ryczek**, Pomona, CA (US)
(73) Assignee: **Nuee Innovation, LLC**, La Verne, CA (US)
(**) Term: **15 Years**
(21) Appl. No.: **29/692,848**
(22) Filed: **May 29, 2019**
(51) **LOC (12) Cl.** **27-06**
(52) **U.S. Cl.**
USPC **D27/172**
(58) **Field of Classification Search**
USPC D27/162, 101, 174, 175, 183, 186, 187, D27/190, 191
CPC A24F 47/00; A24F 47/23; A24F 47/02
See application file for complete search history.

D856,589 S * 8/2019 Park D28/83
D880,071 S * 3/2020 Weinrich D28/83
D884,974 S * 5/2020 Kim D28/83

OTHER PUBLICATIONS

Mini Pre-Roll Case by: J And P Hats, Metal Bank Card—Blocking Hard Case Wallet Aluminium found on line Oct. 16, 2020 <https://www.google.com/searchq=Metal+Bank+Card++Blocking+Hard+Case+Wallet+Aluminium&safe=active&source=lnms&tbn=isch&sa=X>.

* cited by examiner

Primary Examiner — Marissa J Cash
Assistant Examiner — Rebecca Tsehaye
(74) *Attorney, Agent, or Firm* — Eric Karich; Karich & Associates

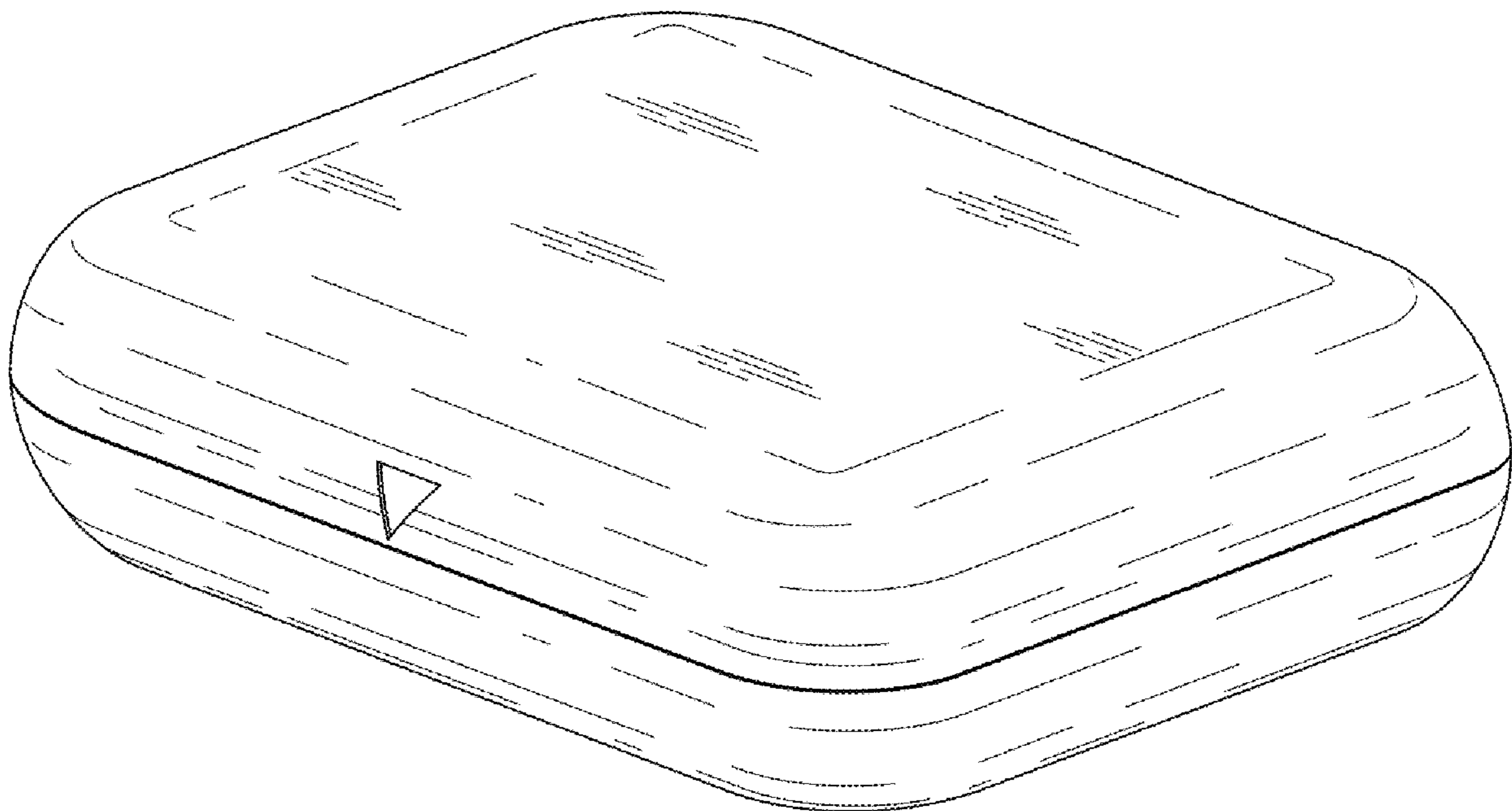
(57) **CLAIM**
The ornamental design for a mini pre-roll case, as shown and described.

DESCRIPTION

FIG. 1 is a perspective view of a mini pre-roll case in a closed configuration, showing my new design; FIG. 2 is a perspective view of a mini pre-roll case in an open configuration, showing my new design; FIG. 3 is a front elevational view thereof; FIG. 4 is a rear elevational view thereof; FIG. 5 is a left side elevational view thereof; FIG. 6 is a right side elevational view thereof; FIG. 7 is a top plan view thereof; and, FIG. 8 is a bottom plan view thereof.

1 Claim, 3 Drawing Sheets

(56) **References Cited**
U.S. PATENT DOCUMENTS
D301,124 S * 5/1989 Bakic D28/76
D401,017 S * 11/1998 Thorpe D28/78
D462,809 S * 9/2002 LaSpina D28/78
D479,016 S * 8/2003 Sgariboldi D28/78
D655,045 S * 2/2012 Paschoal D28/83
D730,581 S * 5/2015 Hwang D28/83
D756,561 S * 5/2016 Ghiotti D27/186
D835,350 S * 12/2018 Weinrich D28/83
D840,146 S * 2/2019 Hauss D3/203.3



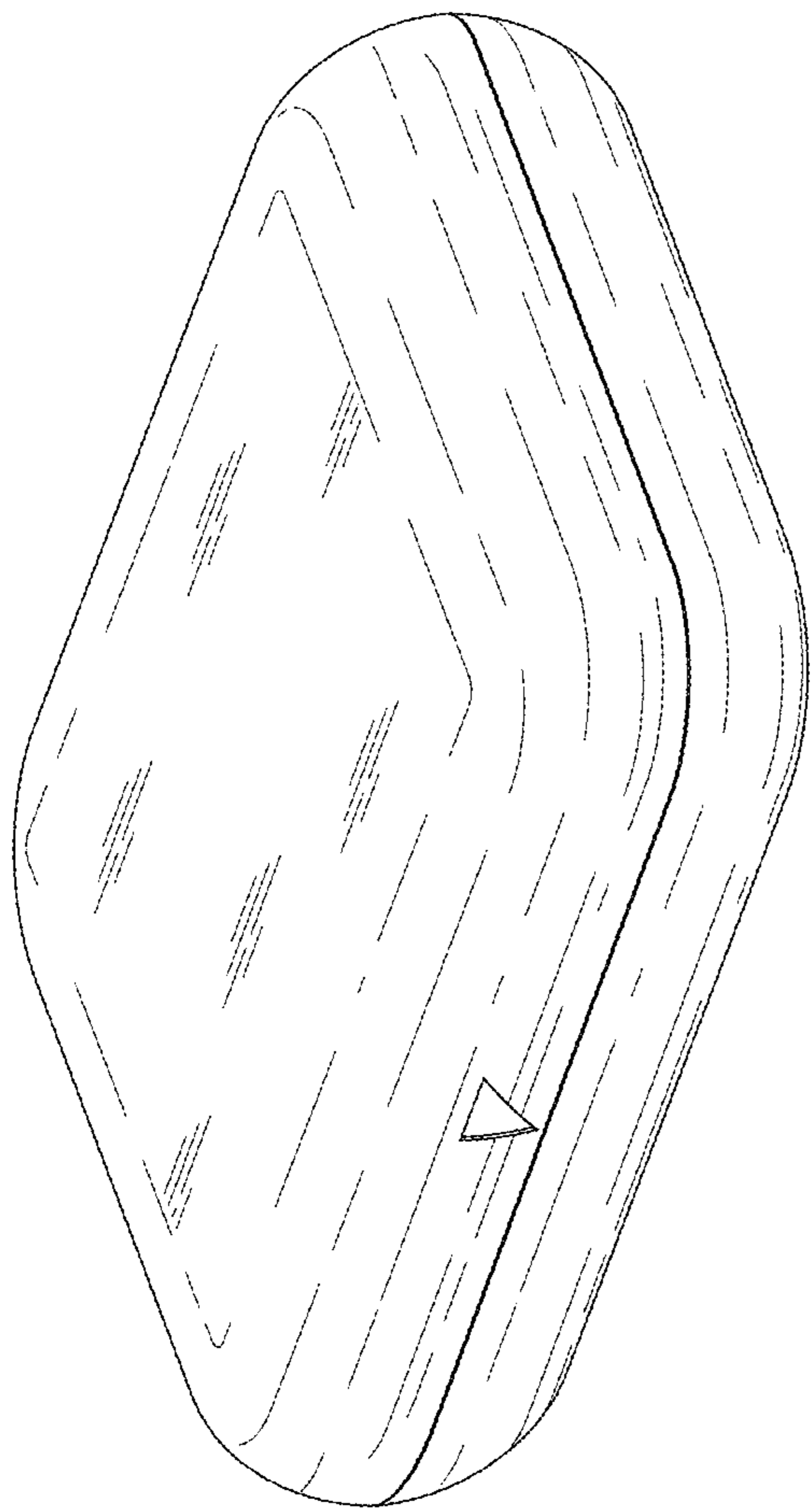


Fig. 1

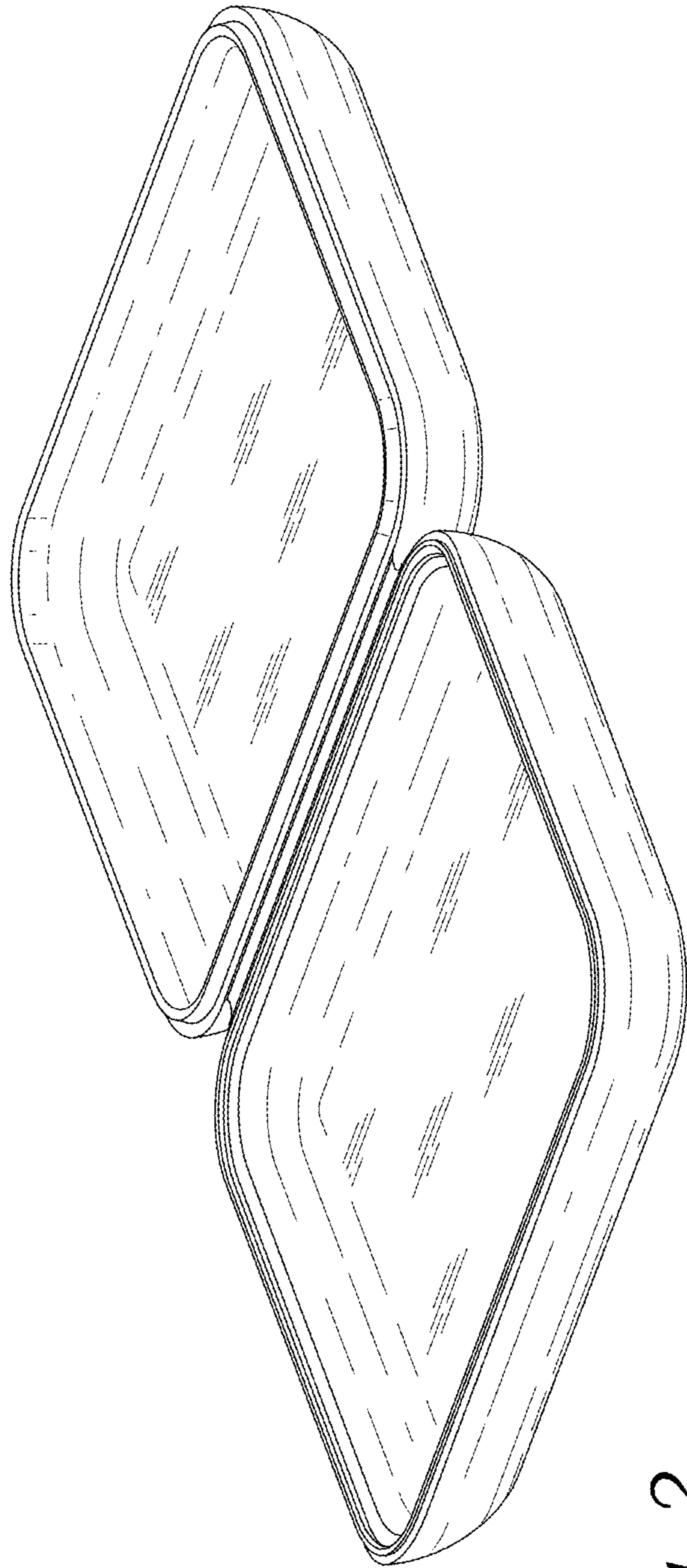


Fig. 2

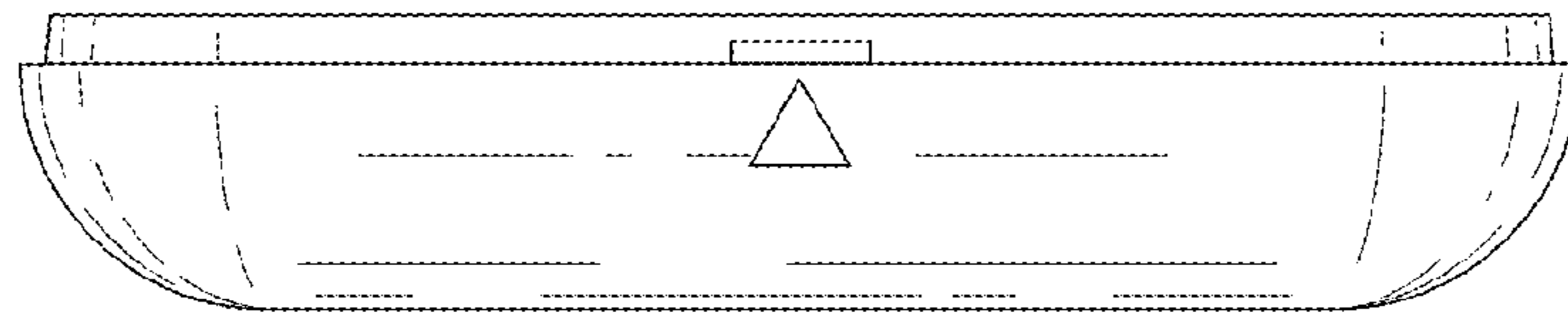


Fig. 3

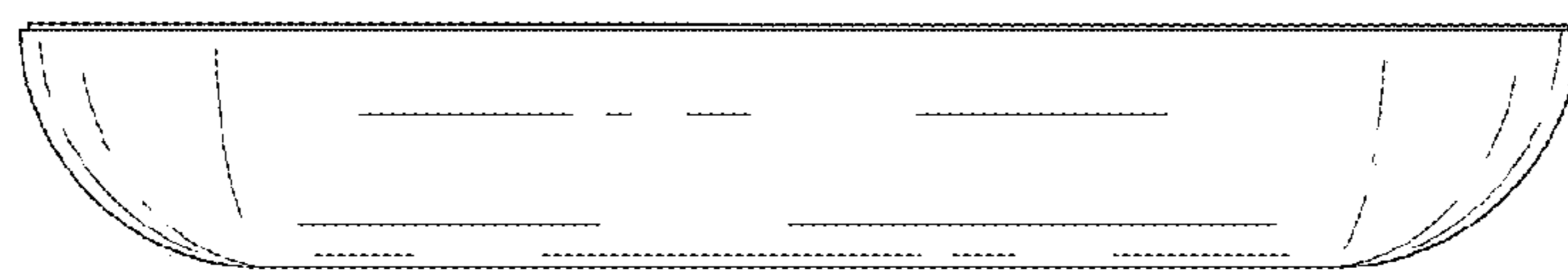


Fig. 4

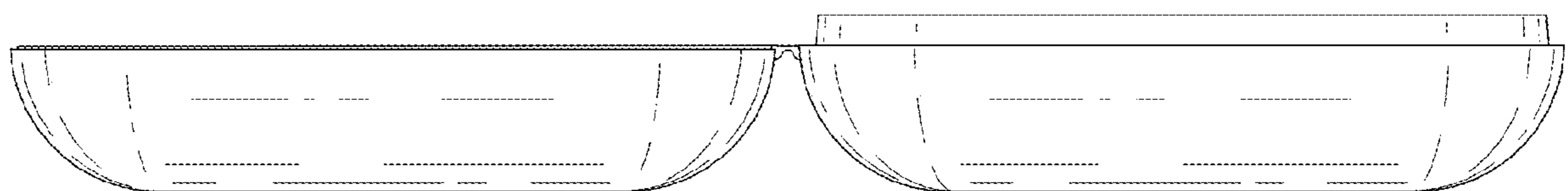


Fig. 5

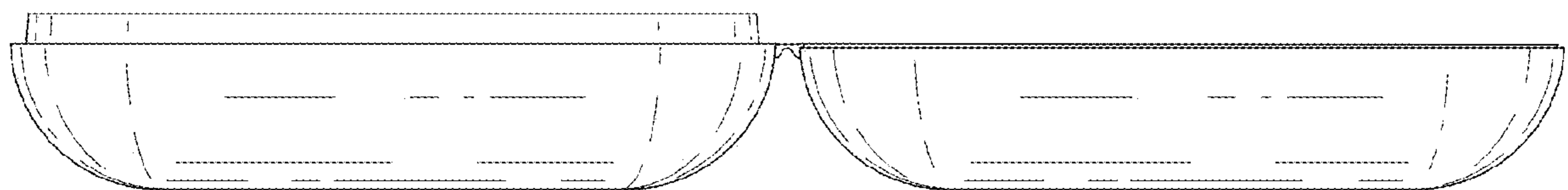


Fig. 6

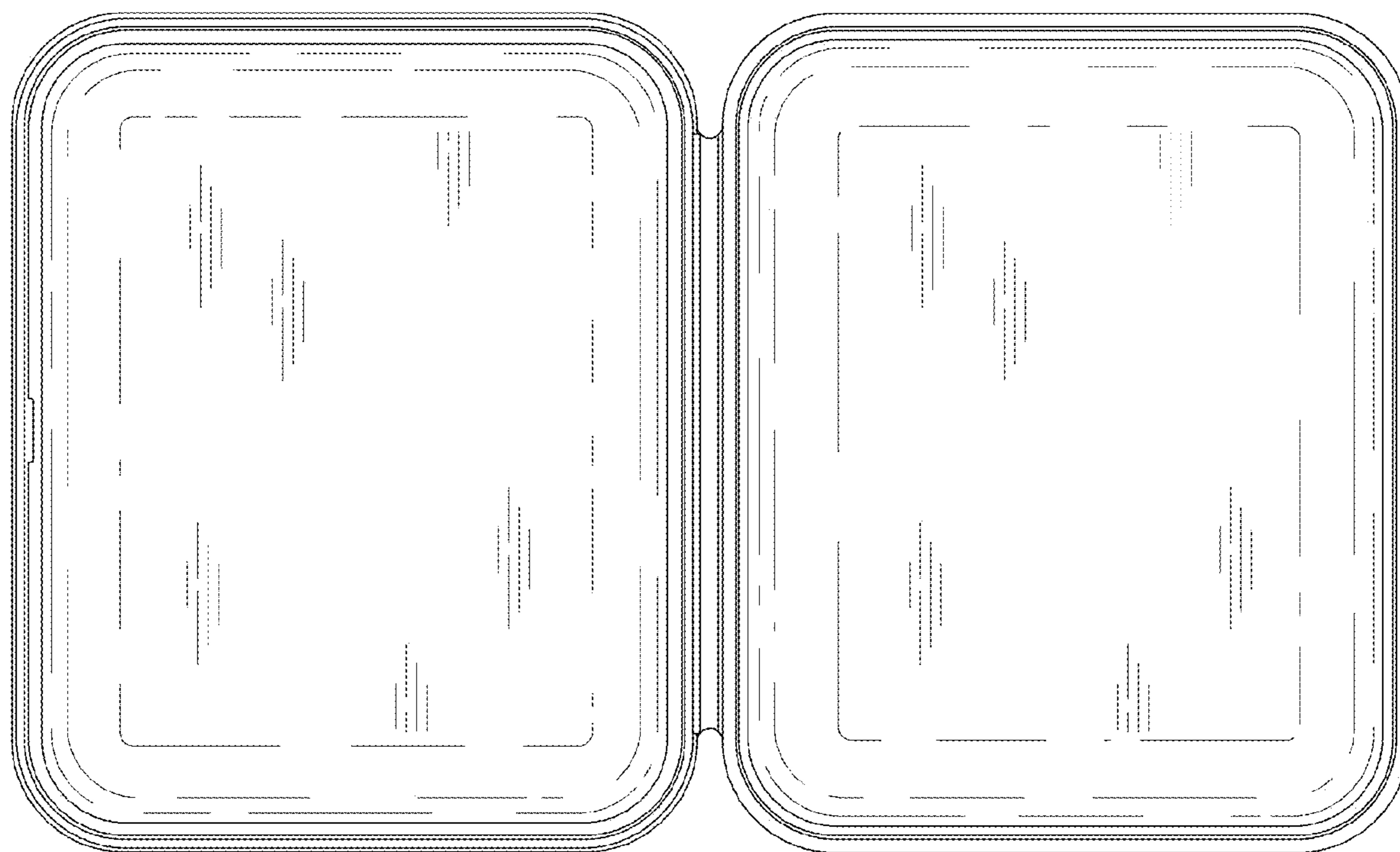


Fig. 7

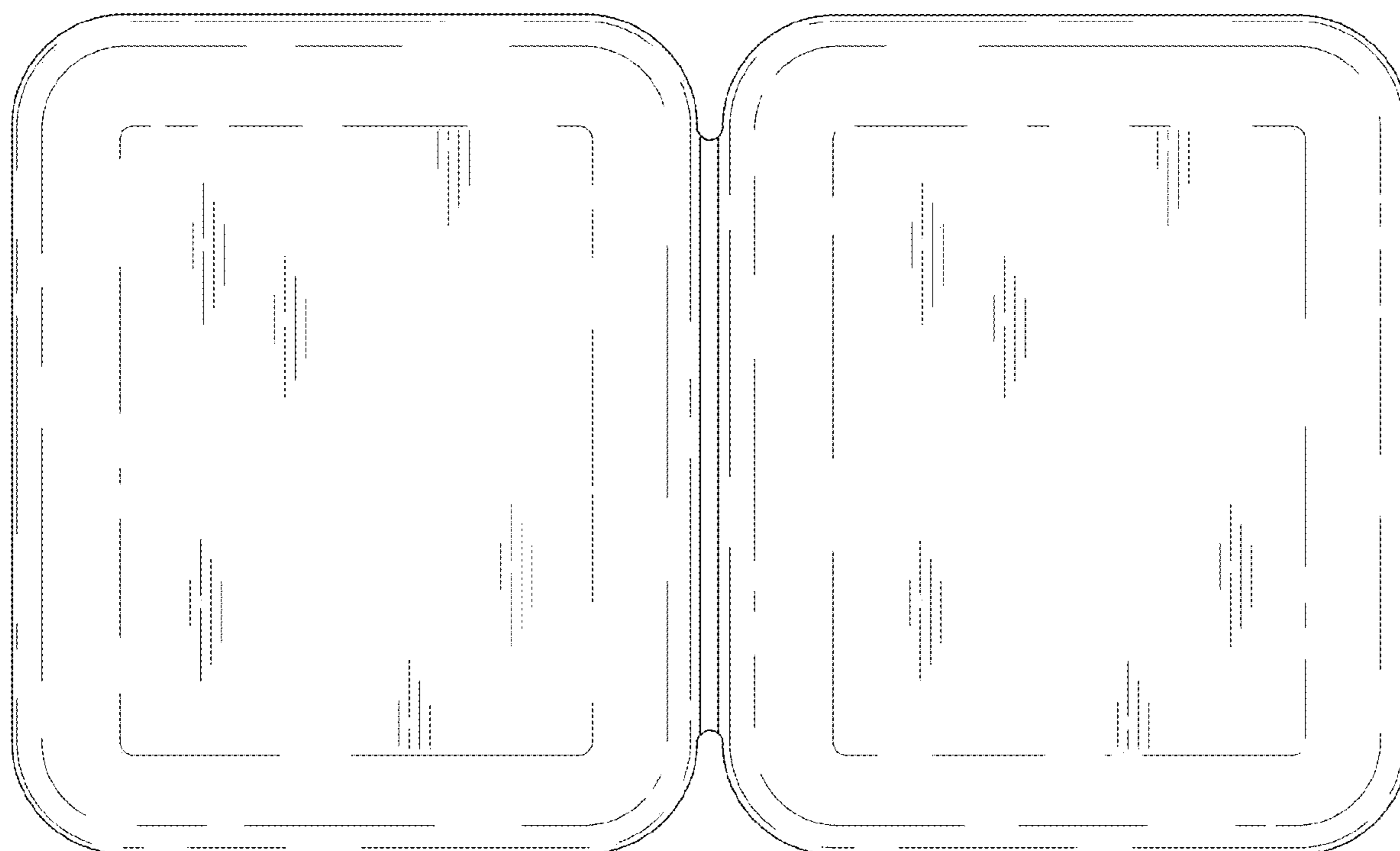


Fig. 8